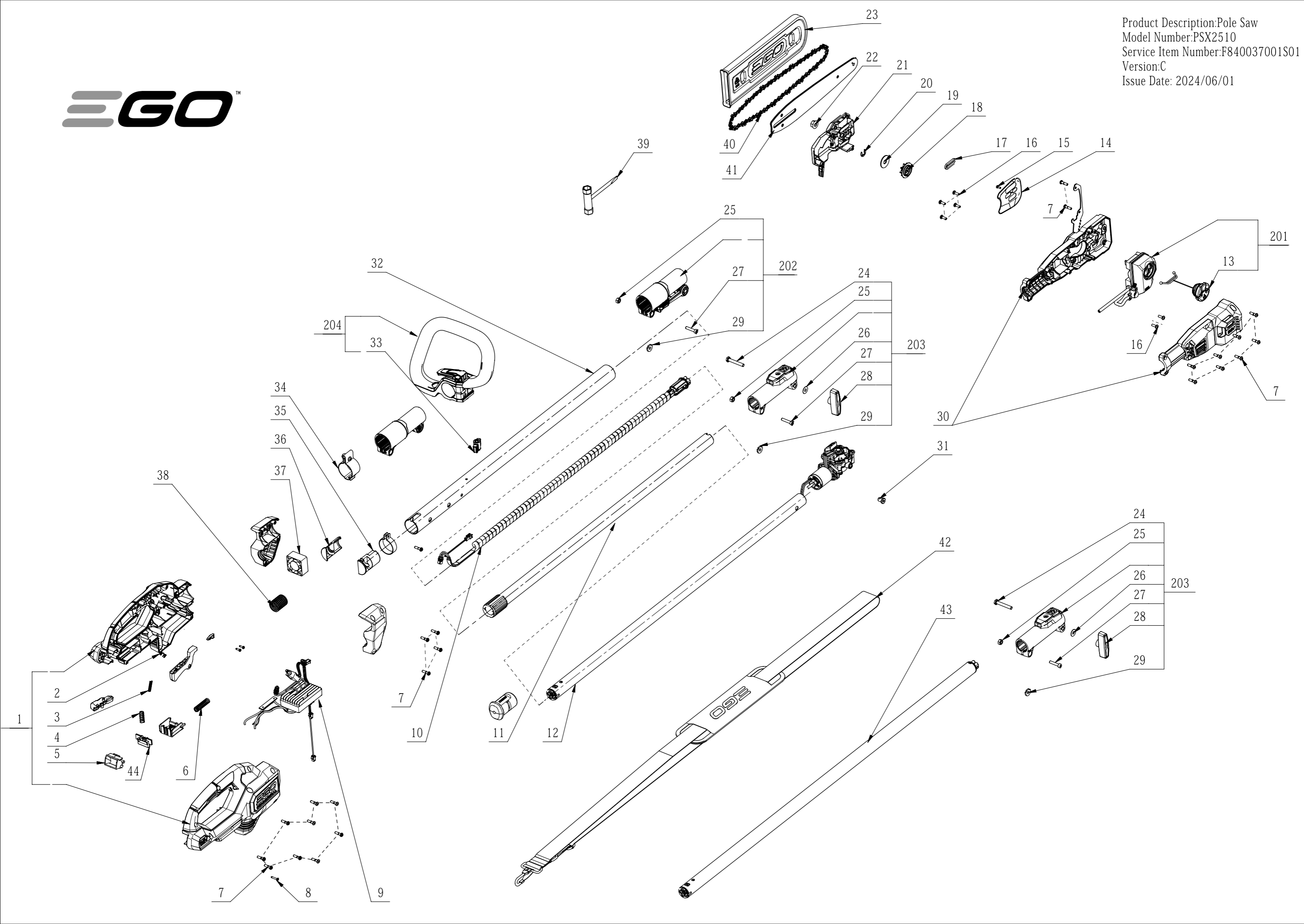




Product Description: Pole Saw
Model Number: PSX2510
Service Item Number: F840037001S01
Version: C
Issue Date: 2024/06/01



Service Part List_PSX2510_Version A

No.	Product Model#	Part Number	Description	Qty
1	PSX2510	3900731002	Handle Assembly	1
2	PSX2510	3660235001	Spring	1
3	PSX2510	3660427002	Spring	1
4	PSX2510	3660013001	Spring1	1
5	PSX2510	3127498001	Power Pack Button	1
6	PSX2510	3660818001	Compression Spring	1
7	PSX2510	5620479001	Screw	24
8	PSX2510	5610274001	Self Tapping Screw	1
9	PSX2510	2831336001	Electric Assembly	1
10	PSX2510	4861088002	Spring Wire Assembly	1
11	PSX2510	2850224001	Inner Tube	1
12	PSX2510	2790804001	Motor And Gear Case Assembly	1
13	PSX2510	2828587002	Kettle Cover Assembly	1
14	PSX2510	3709064001	Protecting Cover Plate	1
15	PSX2510	5610222001	Hexagon Lobuar Screw	1
16	PSX2510	5620164011	Screw	6
17	PSX2510	3130337001	Rubber Gasket	1
18	PSX2510	3555960001	Chain Wheel	1
19	PSX2510	5660208002	Gasket	1
20	PSX2510	5660028001	E Ring	1
21	PSX2510	2850013001	Cover Plate Assembly	1
22	PSX2510	5630325002	Flange Nut	1
23	PSX2510	3128561001	Sheath	1
24	PSX2510	5640247001	Hexagon Head Bolt	2
25	PSX2510	5630011002	Hexagon Nut	3
26	PSX2510	3700233001	Washer	2
27	PSX2510	5620550001	Hexagon Socket Screw	3
28	PSX2510	3402816001	Wing Nut	2
29	PSX2510	3705464001	Limit Chute	3
30	PSX2510	2850225001	Housing Assembly	1
31	PSX2510	5620606001	Hexagon Socket Screw	1
32	PSX2510	3555938001	Outer Tube	1
33	PSX2510	5630526001	Wing Nut	1
34	PSX2510	2829089002	Hook Set	1
35	PSX2510	3133764001	Fixed Unit	1
36	PSX2510	3133765001	Pressure Plate	1
37	PSX2510	3300025001	DC Fan	1
38	PSX2510	3130238001	Bellows Seal	1
39	PSX2510	5680272001	Socket Wrench	1
40	PSX2510	3810926001	Chain	1
41	PSX2510	2829151001	Guide Plate	1
42	PSX2510	3800111001	Harness	1
43	PSX2510	2851720001	Extension Tube Assembly	1
44	PSX2510	3127497001	Power Pack Button	1
201	PSX2510	2829339002	Kettle Assembly	1
202	PSX2510	2829325002	Connector Assembly	1
203	PSX2510	2829122001	Connector Assembly	2
204	PSX2510	2829121002	Front Handle Set	1