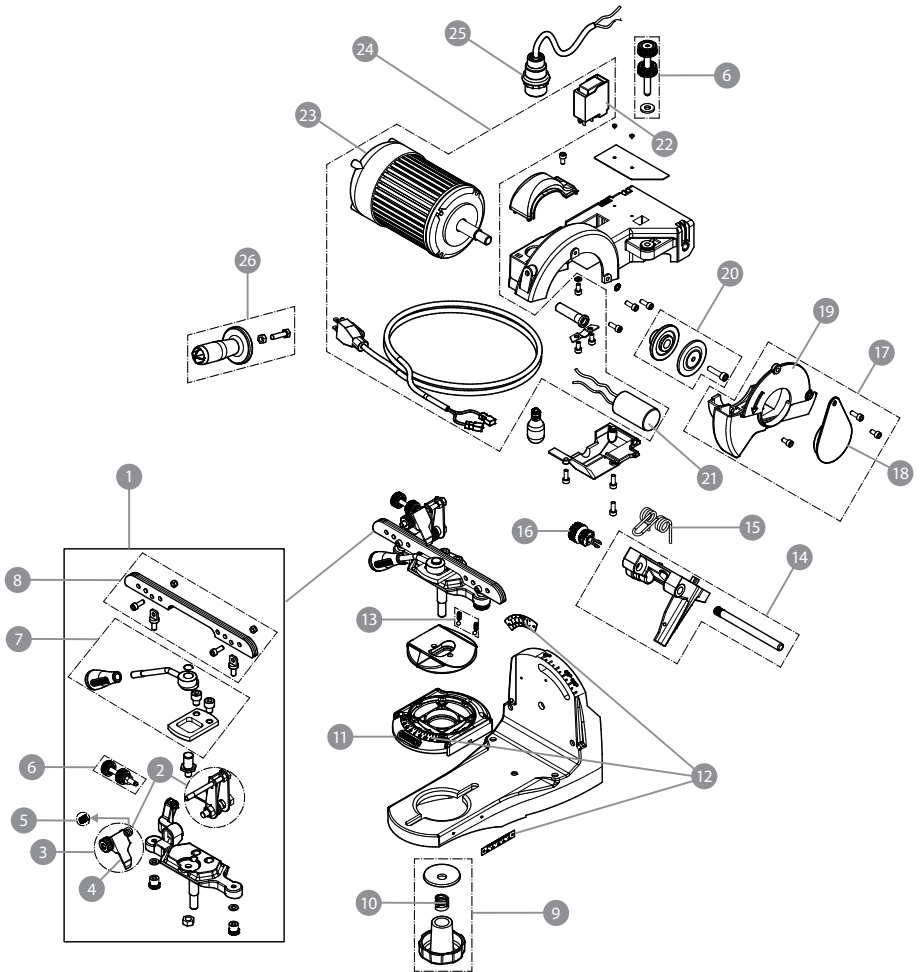


ILLUSTRATED PARTS LIST



NO.		DESCRIPTION
1	572119	Vise Assembly
2	537411	Chain Stop Assembly
3	522688	Chain Stop
4	32677	Chain Stop (5 pack)
5	32681	Pawl Centering Spring (5 pack)
6	537412	Adjustment Knob Kit
7	572202	Vise Handle Assembly
8	572203	Vise Jaws
9	537413	Vise Adjustment Knob Kit
10	35590	Jaw Spring
11	522685	Sliding Support
12	537410	Scale Kit
13	32678	Spring and Ball Kit
14	522649	Arm Support Assembly
15	522651	Arm Return Spring
16	522670	Safety Pin
17	554651	Wheel Protector Shield Kit
18	105654	Wheel Protector Shield
19	109248	Wheel Housing Metal Shield
20	537409	Flange Kit
21	37948	Capacitor
22	109879	On/Off Switch
23	37947	Motor Cap
24	537398	Complete Electrical Assembly
25	108196A	115-volt Light Socket
26	105538	Head Assembly Handle Kit