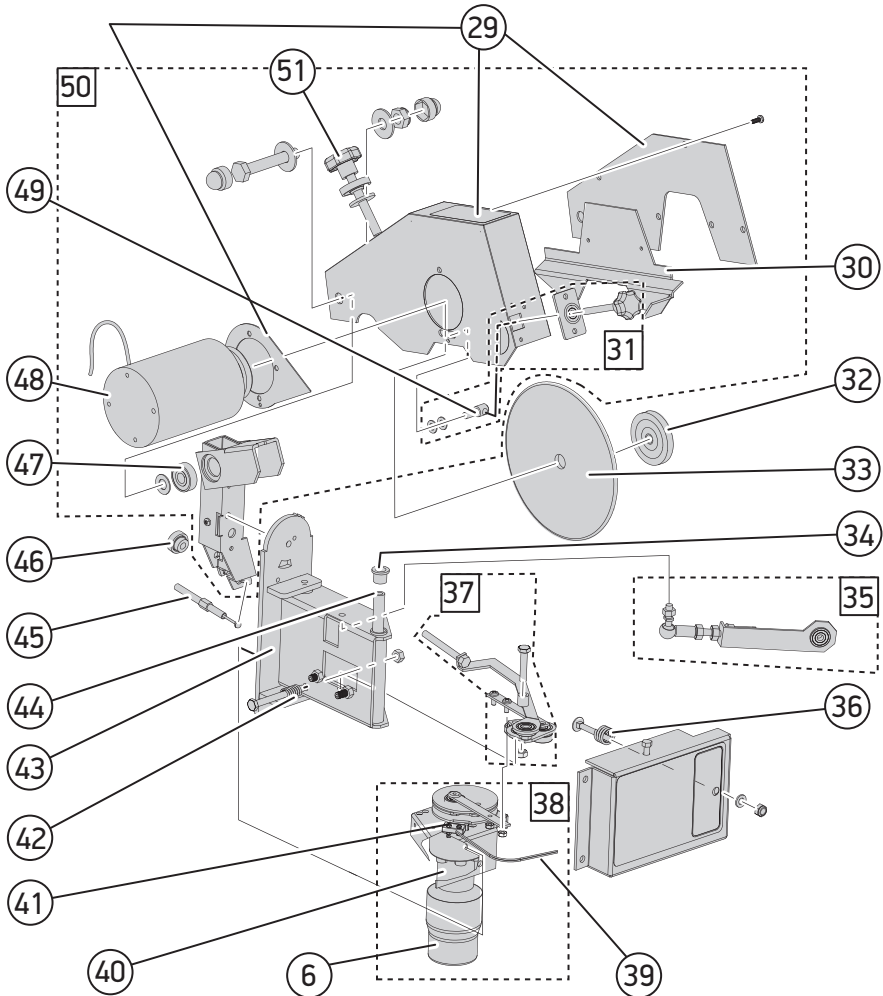


| Pos | Spare Part | Order Number |
|-----|----------------------------------|--------------|
| 1 | Adjuster complete | 590713 |
| 2 | Chain lock | 590690 |
| 3 | Holder | 590837 |
| 4 | Spring | 590704 |
| 5 | Chain pusher | 590703 |
| 6 | Motor cover | 590684 |
| 7 | Turning motor | 590685 |
| 8 | Tension spring | 590702 |
| 9 | Cam curve assembly | 590856 |
| 10 | Turning motor assembly | 590819 |
| 11 | Micro switch | 590688 |
| 12 | Wiring harness | 590820 |
| 13 | Chain vise complete | 590821 |
| 14 | Control panel assembly | 590822 |
| 15 | PDE bearing | 590691 |
| 16 | Control unit (PCB) | 590834 |
| 17 | Bolt M6 x 30 | 590694 |
| 18 | Stop arm, optional | 590695 |
| 19 | Wire lifter assembly | 590825 |
| 20 | Pneumatic valve assembly | 590859 |
| 21 | Lock axis assembly | 590697 |
| 22 | Motor housing | 590698 |
| 23 | Potentiometer | 590826 |
| 24 | Counter | 590827 |
| | Battery for counter | 590828 |
| 25 | Motor cover | 590858 |
| 26 | Chain pusher motor assembly | 590829 |
| 27 | Compression spring | 590832 |
| 28 | Chain pusher skip tooth assembly | 590836 |



| Pos | Spare Part | Order Number |
|-----------|---|--------------|
| 29 | Grinding head cover | 590839 |
| 30 | Grinding wheel guard | 590845 |
| 31 | Grinding wheel centering knob | 590840 |
| 32 | Grinding wheel nut | 590841 |
| 33 | Grinding wheel, see section 8.2, "List of accessories" for ordering information | |
| 34 | PDE bearing 10 | 590813 |
| 35 | Turning arm assembly | 590842 |
| 36 | Center spring | 590848 |
| 37 | Lifting arm assembly | 590850 |
| 38 | Depth gauge motor assembly | 590849 |
| 39 | Wiring harness | 590857 |
| 40 | Depth gauge motor | 590853 |
| 41 | Micro switch | 590854 |
| 42 | Compression spring | 590832 |
| 43 | Degree beam | 590844 |
| 44 | Axis | 590843 |
| 45 | Wire | 590817 |
| 46 | Plastic nut | 590912 |
| 47 | Ball bearing 6000ZZ | 590816 |
| 48 | Grinding motor | 590721 |
| 49 | Adjusting nut | 590855 |
| 50 | Grinding head assembly | 590838 |
| 51 | Adjuster assembly | 590720 |