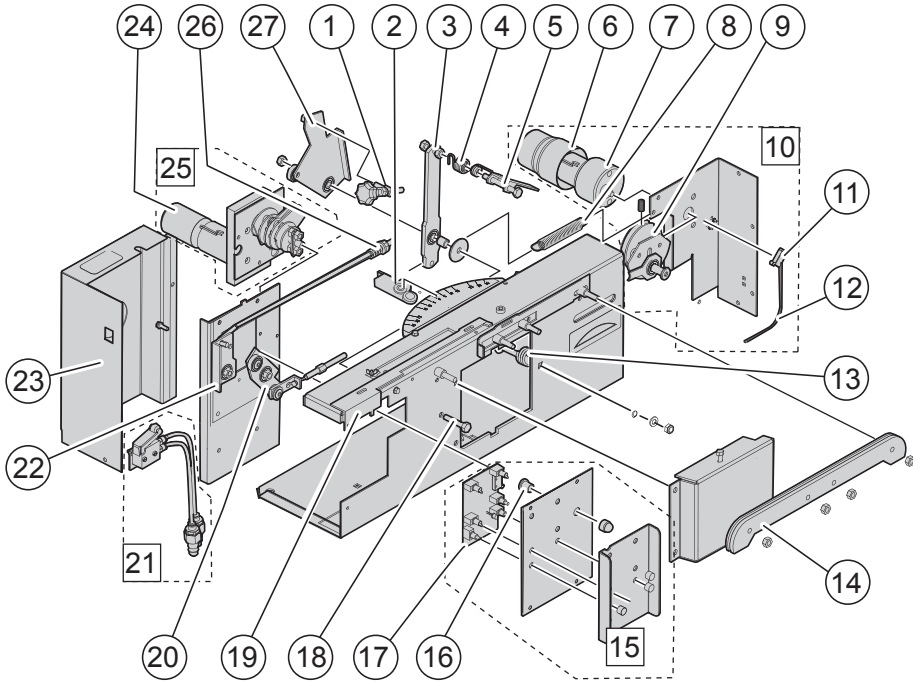
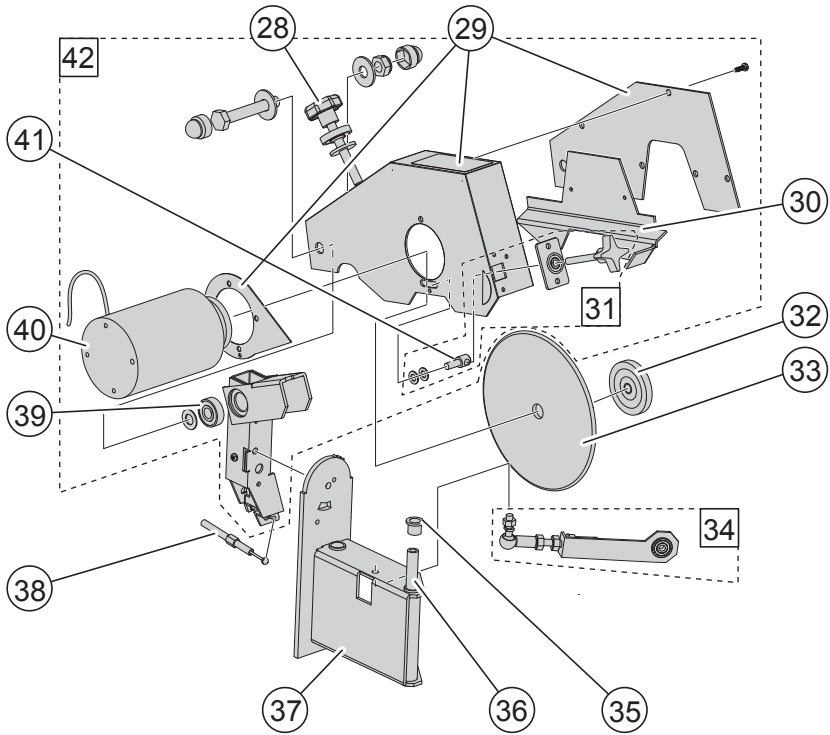


### 8.3 Spare parts

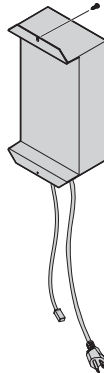


Pos	Spare Part	Order Number
<b>1</b>	Adjuster complete	590713
<b>2</b>	Chain lock	590690
<b>3</b>	Holder	590837
<b>4</b>	Spring	590704
<b>5</b>	Chain pusher	590703
<b>6</b>	Motor cover	590684
<b>7</b>	Turning motor	590685
<b>8</b>	Tension spring	590702
<b>9</b>	Cam curve assembly	590833
<b>10</b>	Turning motor assembly	590686
<b>11</b>	Micro switch	590688
<b>12</b>	Wiring harness	590687
<b>13</b>	Compression spring	590848
<b>14</b>	Chain vise	590689
<b>15</b>	Control panel assembly	590692
<b>16</b>	PDE bearing	590691
<b>17</b>	Control unit (PCB)	590693
<b>18</b>	Bolt M6 x 30	590694
<b>19</b>	Stop arm	590695
<b>20</b>	Wire lifter assembly	590696
<b>21</b>	Pneumatic valve assembly	590859
<b>22</b>	Lock axis assembly	590697
<b>23</b>	Motor housing	590718
<b>24</b>	Motor cover	590858
<b>25</b>	Chain pusher motor assembly	590714
<b>26</b>	Compression spring	590832
<b>27</b>	Chain pusher plate	590700



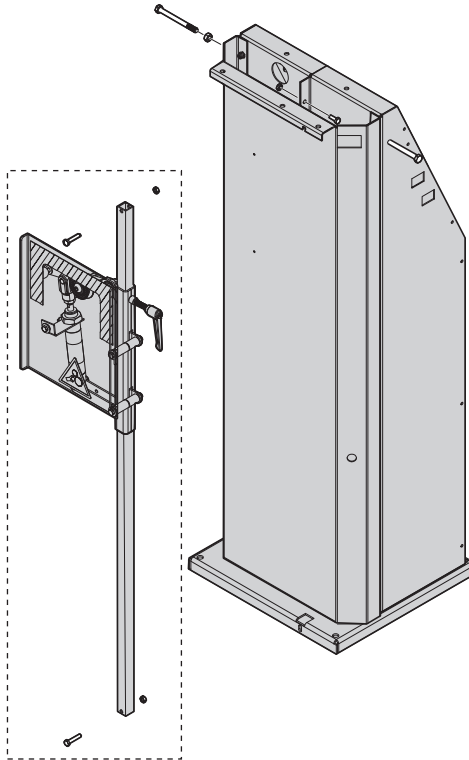
Pos	Spare Part	Order Number
<b>28</b>	Adjuster assembly	590720
<b>29</b>	Grinding head cover	590839
<b>30</b>	Grinding wheel guard	590845
<b>31</b>	Grinding wheel centering knob assembly	590840
<b>32</b>	Grinding wheel nut	590841
<b>33</b>	Grinding wheel, see section 8.2, "List of accessories" for ordering information	
<b>34</b>	Turning arm assembly	590847
<b>35</b>	PDE bearing 10	590813
<b>36</b>	Axis	590814
<b>37</b>	Degree beam	590851
<b>38</b>	Wire	590817
<b>39</b>	Ball bearing 6000ZZ	590816
<b>40</b>	Grinding motor	590721
<b>41</b>	Adjusting nut	590855
<b>42</b>	Grinding head assembly	590719

## 8.4 Converter



Pos	Spare Part	Order Number
	Converter	590528

### 8.5 Stand



Pos	Spare Part	Order Number
	Stand with pneumatic chain tensioner	700-STND