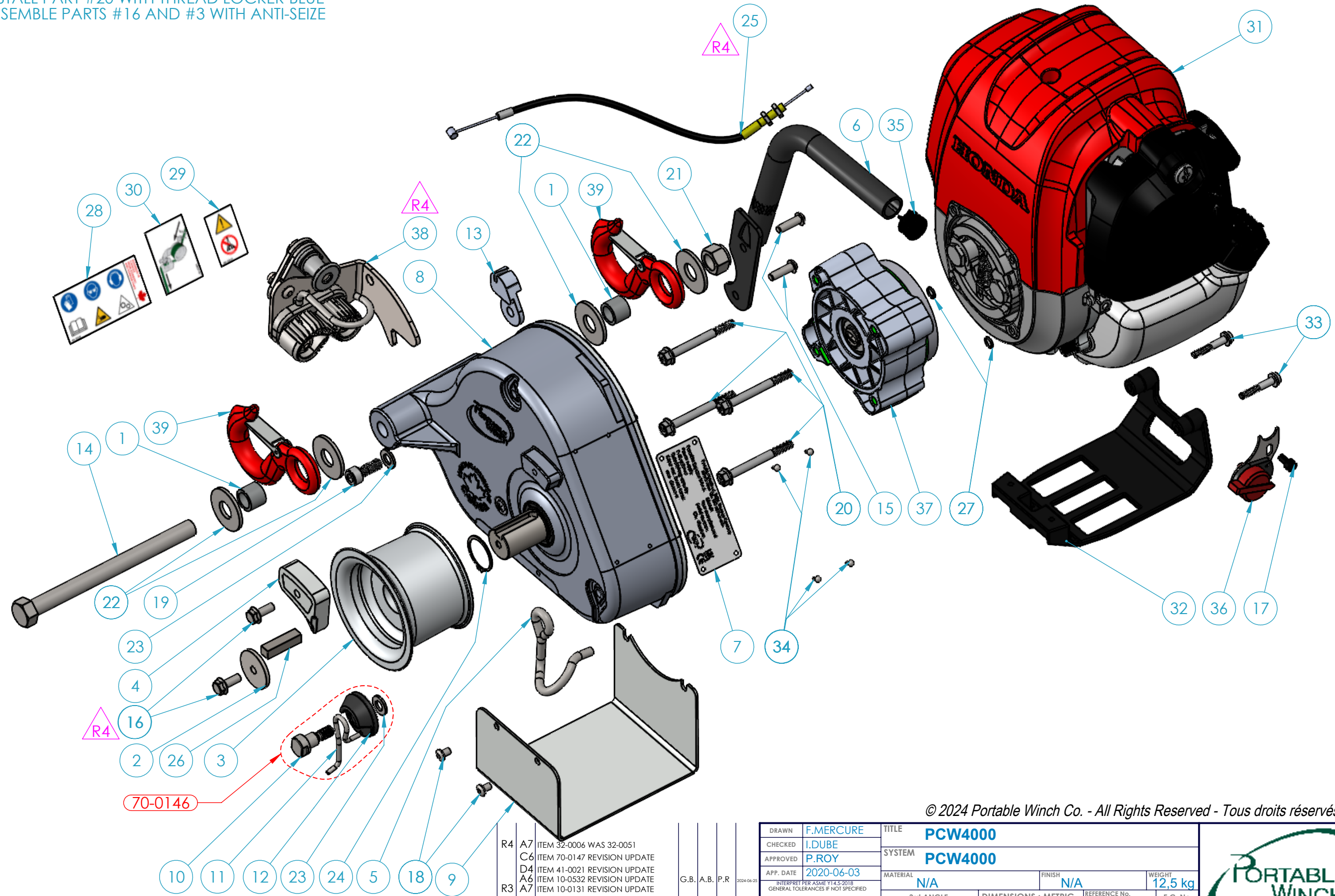


NOTES: 1- INSTALL PART #20 WITH THREAD LOCKER BLUE
 2- ASSEMBLE PARTS #16 AND #3 WITH ANTI-SEIZE



© 2024 Portable Winch Co. - All Rights Reserved - Tous droits réservés

REV	ZONE	DESCRIPTION	G.B.	A.B.	P.R.	DATE
R4	A7	ITEM 32-0006 WAS 32-0051				
C6		ITEM 70-0147 REVISION UPDATE				
D4		ITEM 41-0021 REVISION UPDATE				
A6		ITEM 10-0532 REVISION UPDATE				
A7		ITEM 10-0131 REVISION UPDATE				
C6		ITEM 70-0147 REVISION UPDATE				
D4		ITEM 41-0021 REVISION UPDATE				

DRAWN	F.MERCURE	TITLE	PCW4000
CHECKED	I.DUBE	SYSTEM	PCW4000
APPROVED	P.ROY	MATERIAL	N/A
APP. DATE	2020-06-03	FINISH	N/A
INTERPRET PER ASME Y14.5-2018 GENERAL TOLERANCES IF NOT SPECIFIED		WEIGHT	12,5 kg
0 ± 1mm 0.0 ± 0.5mm 0.00 ± 0.25mm 0.000 ± 0.025mm		REFERENCE No.	E.C. No.
ANGLE ± 0.5° SURFACE ROUGHNESS 3.2µm HOLE POSITION ± 0.04mm		FILE	PCW4000-R4
3rd ANGLE PROJECTION		SCALE : SHOWN	REV. SHEET
DO NOT MEASURE DIRECTLY ON DRAFT		FORMAT	B
		DRAWING No.	PCW4000
		REV.	R4
		SHEET	1/2



PARTS No.	PARTS NUMBER	REV. No.	DESCRIPTION	QTY	PARTS No.	PARTS NUMBER	REV. No.	DESCRIPTION	QTY
1	10-0098	R2	BUSHING FOR SAFETY HOOK	2	21	33-0005		NUT 1/2-13 NYLON - ZN	1
2	10-0102	R2	RETAINING WASHER (1/4 X 1-1/4 OD) - ZN	1	22	35-0004	...	FLAT WASHER 1/2 - ZN	4
3	10-0129	R2	CAPSTAN DRUM 76mm	1	23	36-0004	...	FLAT WASHER M8 - ZN	2
4	10-0131	R5	ROPE GUIDE FOR CAPSTAN DRUM 76mm	1	24	39-0026		RETAINING RING EXT. 25mm	1
5	10-0136	R4	ROPE ENTRY HOOK PCW3000	1	25	41-0021	△R2	THROTTLE CABLE ASS'Y PCW4000	1
6	10-0137	R5	WINCH HANDLE PCW3000	1	26	43-0057		KEY FOR CAPSTAN DRUM 76mm (8mm X 30mm)	1
7	10-0336	R2	GENERIC INFORMATION & SERIAL PLATE	1	27	43-0060	...	O-RING BUNA-N 70A 1/4ID X 3/8OD	2
8	10-0415	R0	GEARBOX 200:1	1	28	44-0268	R0	LABEL - MULTI-ICONS FOR RECREATIONAL WINCHES	1
9	10-0479	R0	GROUND PLATE	1	29	44-0269	R0	LABEL - DO NOT USE FOR LIFTING	1
10	10-0530	R0	BOLT FOR ENTRY HOOK ASS'Y	1	30	44-0289	R0	LABEL - ROPE INSTALLATION PCW4000	1
11	10-0531	R0	TENSION ROD	1	31	45-0051	...	HONDA ENGINE GX50	1
12	10-0532 △R4	R1	CUSTOM CAP PROTECTION	1	32	45-0053		TANK GUARD GX35/GX50	1
13	10-0544	R0	CABLE HOLDER FOR P.C.S.	1	33	45-0054	...	SHCS WITH FLANGE M5 X 30LG	2
14	31-0010	...	HCS 1/2-13 X 6 - GR5 - ZN	1	34	49-0032		TYPE "U" DRIVE SCREWS 1/4" X 0.114"	4
15	32-0005	...	BHCS M6-1 x 20mm - SS	2	35	49-0037	...	SNAP-IN ROUND PLUG 3/4"	1
16	32-0006 △R4		HEX FLANGE SERRATED BOLT M6-1.0 X 16mm - ZN	2	36	70-0031	R4	ON/OFF SWITCH ASSY. FOR PCW3000	1
17	32-0009	...	SHCS M5-0.80 X 10mm	1	37	70-0132	R1	CLUTCH DRIVE ASSEMBLY	1
18	32-0055	...	BHCS M5-0.8 X 8mm - SS	2	38	70-0147	△R3	PROGRESS CAPTURE SYSTEM	1
19	32-0064	...	SHCS M8-1.25 X 20mm - ZN	1	39	PCA-1281	...	SAFETY HOOK WLL: 3/4 TON	2
20	32-0066		HEX FLANGE SERRATED BOLT M6-1 X 60mm - ZN	4					

© 2024 Portable Winch Co. - All Rights Reserved - Tous droits réservés

R4	B8	ITEM 32-0006 WAS 32-0051					
	C5	ITEM 70-0147 REVISION UPDATE					
	D5	ITEM 41-0021 REVISION UPDATE					
	C8	ITEM 10-0532 REVISION UPDATE					
REV	ZONE	DESCRIPTIONS	DR	CK	APP	DATE	
		REVISION					

DRAWN	F.MERCURE	TITLE	PCW4000
CHECKED	I.DUBE	SYSTEM	PCW4000
APPROVED	P.ROY	MATERIAL	N/A
APP. DATE	2020-06-03	FINISH	N/A
INTERPRET PER ASME Y14.5-2018 GENERAL TOLERANCES IF NOT SPECIFIED		WEIGHT	12,5 kg
0 ± 1mm		REFERENCE No.	
0.0 ± 0.5mm		E.C. No.	
0.00 ± 0.25mm		SCALE : SHOWN	PCW4000-R4
0.000 ± 0.025mm		DO NOT MESURE DIRECTLY ON DRAFT	PCW4000
ANGLE ± 0.5°		FORMAT	B
SURFACE ROUGHNESS 3.2µm		DRAWING No.	PCW4000
HOLE POSITION ± 0.04mm		REV.	R4
		SHEET	2/2

