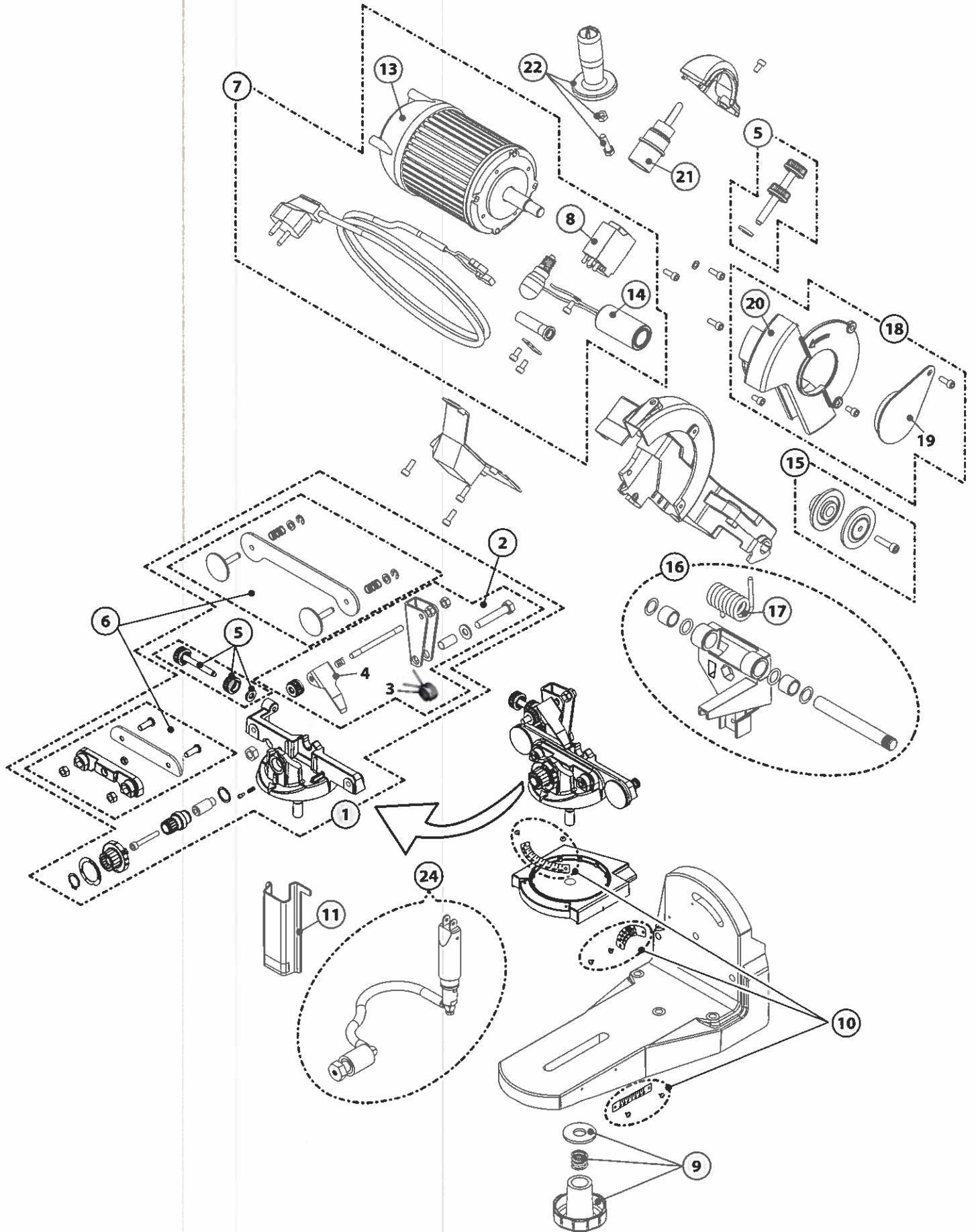


Replacement Parts for the 620-120 Bench Grinder



Replacement Parts for the 620-120 Bench Grinder

Ref.	OCS P/N	Description
1	546949	WISE SUPPORT
2	537411	WISE ADJUST. SPRING
	546945	WISE ADJUST. SPRING - MAX. 3/4"
3	35606	CHAIN STOP SPRING
4	546948	LONGER PAWL
5	537412	ADJUSTMENT KNOBS, KIT
6	546947	COMPLETE WISE KIT
7	537398	E-MOTOR, CAPACITOR, SWITCH, CABLES KIT - 120V
8	109879	SWITCH 115 V AC (NEW TYPE)
9	537413	WISE LOCKING KIT
10	537410	SCALES KIT
11	546952	CYLINDER PROTECTION
13	37947	END MOTOR CAP
14	37948	CAPACITOR 8 MICRO-FARAD
15	537409	MOTOR FLANGE KIT (OUTER AND INNER)
16	546951	ARM SUPPORT ASSEMBLY
17	546946	HEAD RETURN SPRING
18	554651	SHIELD WHEEL PROTECTOR
19	105654	SHIELD KIT
20	109248	METAL SHIELD
21	108196A	LIGHT SOCKET E12 W/WIRES - 120V
22	105538	HANDLE KIT
24	546950	COMPLETE HYDRAULIC A.BLY

120V~ 60Hz

