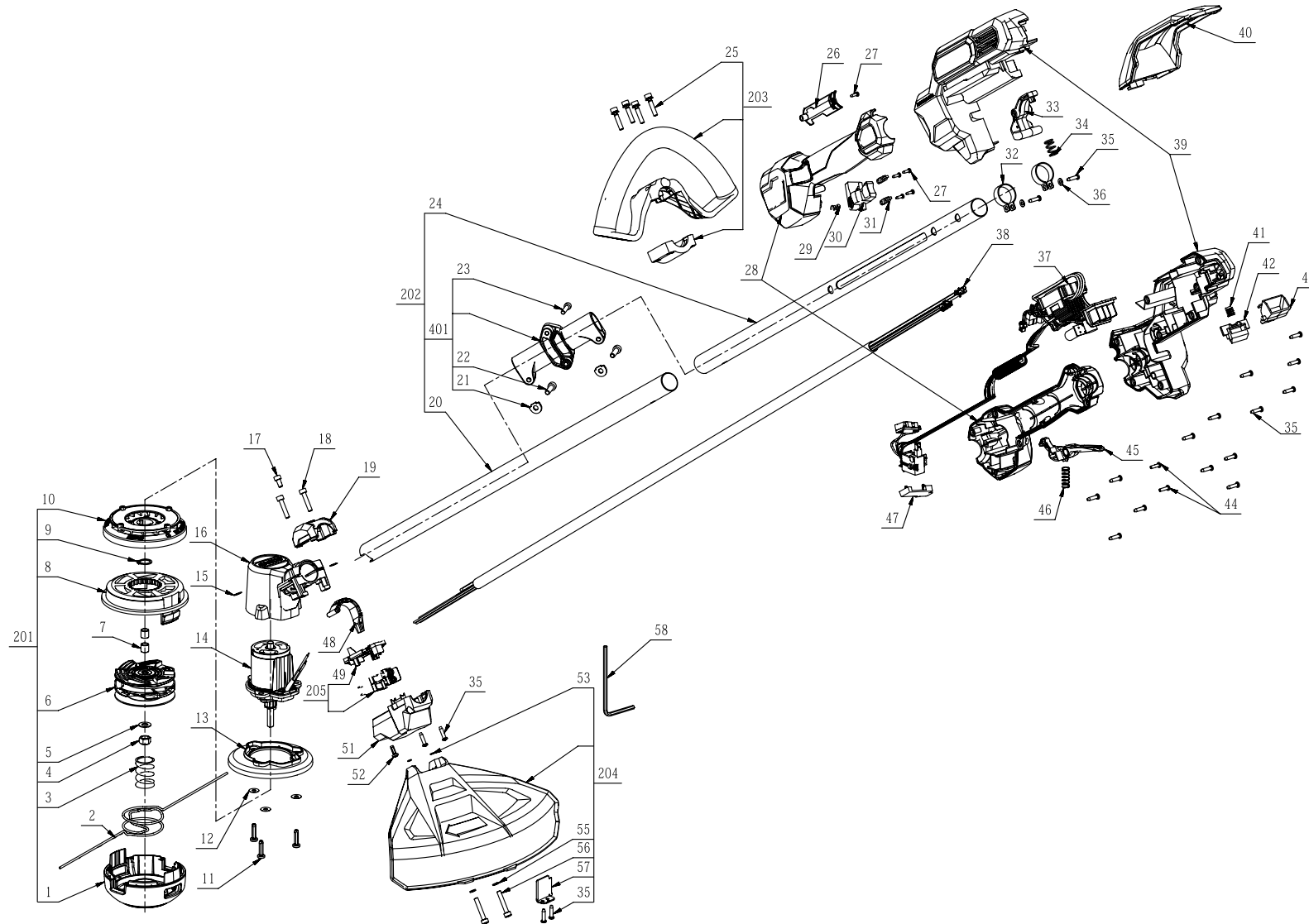




Product Description: String Trimmer
Model Number: ST1520S
Body Number: 0760064001_S
Version: B
Issue Date: 2020/06/25



Service Part List_ST1520S_Version B

No.	Product Model#	Part Number	Description	Qty
1	ST1520S	2825469002	Lower Housing ASSY	1
2	ST1520S	3800122001	Trimmer Line	1
3	ST1520S	3660582001	Compression Spring	1
4	ST1520S	5630271001	Nut	1
5	ST1520S	3700155002	Washer	1
6	ST1520S	2825307002	Spool Assembly	1
7	ST1520S	3552901001	Position Sleeve	2
8	ST1520S	3129007001	Upper Housing	1
9	ST1520S	5660018001	Circlips For Shaft	1
10	ST1520S	2825470002	Support ASSY	1
11	ST1520S	5610059008	Thread Forming Screw	3
12	ST1520S	5650497001	Plain Washer	3
13	ST1520S	3129171001	Shield	1
14	ST1520S	2730267001	DC Motor	1
15	ST1520S	3700731002	Washer	2
16	ST1520S	3422085001	Motor Housing	1
17	ST1520S	5620213003	Hexagon Socket Screw	1
18	ST1520S	5620216003	Hexagon Socket Screw	2
19	ST1520S	3322287001	Top Switch Box Cover	1
20	ST1520S	3552752002	Connecting Tube	1
21	ST1520S	3705464001	Limit Chute	2
22	ST1520S	5620334004	Hexagon Socket Screw	2
23	ST1520S	5620434003	Hexagon Socket Screw	1
24	ST1520S	3552751002	Connecting Tube	1
25	ST1520S	5620558001	Screw with Washer	4
26	ST1520S	3129271001	Mounting Plate	1
27	ST1520S	5610011006	Tapping Screw	5
28	ST1520S	2825617002	L R Handle Set	1
29	ST1520S	3660029003	Spring	1
30	ST1520S	3129274001	Lock-off Trigger	1
31	ST1520S	3126865001	Clamp Block	2
32	ST1520S	3705178001	Fixed Ring	2

No.	Product Model#	Part Number	Description	Qty
33	ST1520S	3128266001	Lever	1
34	ST1520S	3660614001	Compression Spring	1
35	ST1520S	5610294001	Tapping Screw	20
36	ST1520S	5650005002	Plain Washer	2
37	ST1520S	2830258002	Electric Assembly	1
38	ST1520S	4860471002	Internal Wire ASSY	1
39	ST1520S	2825616002	L R Housing Set	1
40	ST1520S	3129172001	Cover	1
41	ST1520S	3660013003	Spring1	1
42	ST1520S	3127497001	Power Pack Button	1
43	ST1520S	3127498001	Power Pack Button	1
44	ST1520S	5610305001	Tapping Screw	2
45	ST1520S	3129273001	Switch Trigger	1
46	ST1520S	3660717001	Compression Spring	1
47	ST1520S	3129272001	Switch Support	1
48	ST1520S	3129168001	Switch Lever	1
49	ST1520S	3129169002	Switch Support	1
51	ST1520S	3129170001	Bottom Switch Box Cover	1
52	ST1520S	5610237001	Tapping Screw	1
53	ST1520S	5690203001	O Ring	2
55	ST1520S	5650015012	Spring Washer	2
56	ST1520S	5620646001	Hexagon Socket Screw	2
57	ST1520S	3704344001	Blade	1
58	ST1520S	5680164001	Inner Hexagon Spanner	1
201	ST1520S	2825468002	Cutting Head Set	1
202	ST1520S	2825433004	Connector ASSY	1
203	ST1520S	2823711007	Handle ASSY	1
204	ST1520S	2825430002	Guard ASSY	1
205	ST1520S	4870786001	Switch Assembly	1
401	ST1520S	2825434002	Connector ASSY	1