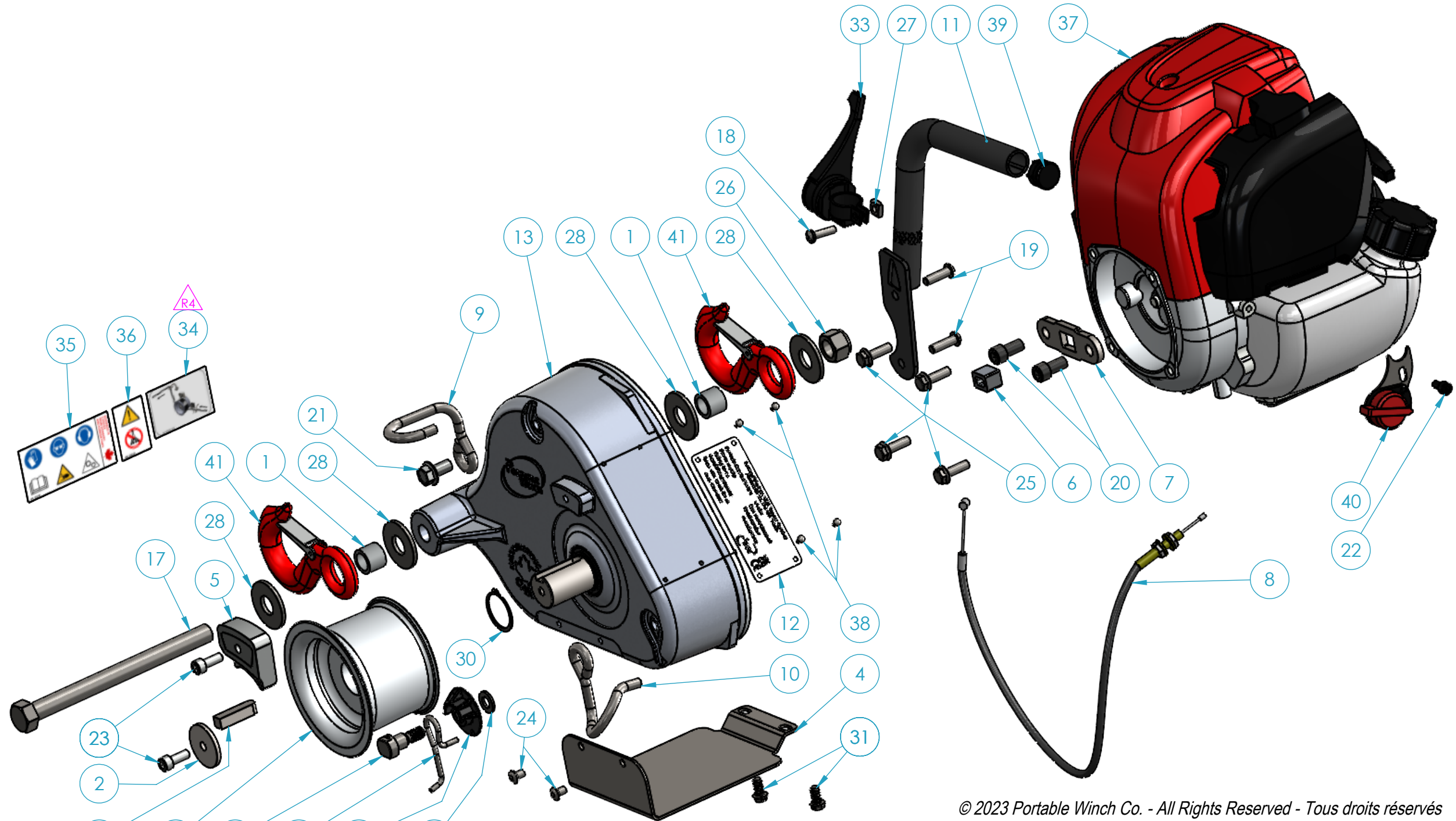


NOTES: 1- ASSEMBLE PARTS #20 WITH THREAD LOCKER BLUE
 2- ASSEMBLE PART #23 WITH PART #3 WITH ANTI-SEIZE



© 2023 Portable Winch Co. - All Rights Reserved - Tous droits réservés

REV	ZONE	DESCRIPTIONS	DR	CK	APP	DATE
R4	A5	PARTS #14, #15, #16 AND #29 ADDED				
	B6	PART #34 REVISION UP				
R3	B8	PART 32-0004 REMOVED				
		PART 32-0051 ADDED				
		PART 43-0013 REMOVED				
		PART 43-0057 ADDED				
		PART 49-0037 ADDED				

DRAWN	F.MERCURE	TITLE	PCW3000
CHECKED	F.MERCURE	SYSTEM	PCW3000
APPROVED	P.ROY		
APP. DATE	2021-12-11		
INTERPRET PER ASSIE Y143-2018 GENERAL TOLERANCES IF NOT SPECIFIED			
	0 ± 1mm		
	0.0 ± 0.5mm		
	0.00 ± 0.25mm		
	0.000 ± 0.025mm		
	ANGLE ± 0.5°		
	SURFACE ROUGHNESS 3.2µm		
	HOLE POSITION ± 0.04mm		

MATERIAL	N/A	FINISH	N/A	WEIGHT	9.9kg
3rd ANGLE PROJECTION		DIMENSIONS : METRIC		REFERENCE No.	E.C. No.
DO NOT MEASURE DIRECTLY ON DRAFT		SCALE : SHOWN		FILE	PCW3000-R4
		FORMAT		DRAWING No.	PCW3000
		REV.		SHEET	R4 1/3



PARTS No.	PARTS NUMBER	REV. No.	DESCRIPTION	QTY	PARTS No.	PARTS NUMBER	REV. No.	DESCRIPTION	QTY
1	10-0098	R2	BUSHING FOR SAFETY HOOK	2	22	32-0009	...	SHCS M5-0.80 X 10mm	1
2	10-0102	R2	RETAINING WASHER (1/4 X 1-1/4 OD) - ZN	1	23	32-0051	...	SHCS M6-1 X 16 MM - ZN	2
3	10-0129	R2	CAPSTAN DRUM 76mm	1	24	32-0055	...	BHCS M5-0.8 X 8mm - SS	2
4	10-0130	R4	GUARD PLATE PCW3000	1	25	32-0056		HEX FLANGE SERRATED BOLT M6-1.0 X 20mm - ZN	4
5	10-0131	R4	ROPE GUIDE FOR CAPSTAN DRUM 76mm	1	26	33-0005		NUT 1/2-13 NYLON - ZN	1
6	10-0132	R5	ENGINE ALUMINUM COUPLING PCW3000	1	27	33-0011		SQUARE NUT 10-24 - ZN	1
7	10-0133	R0	ENGINE COUPLING PLATE	1	28	35-0004	...	FLAT WASHER 1/2 - ZN	4
8	10-0134	R2	THROTTLE CABLE ASSEMBLY PCW3000	1	29	36-0004	...	FLAT WASHER M8 - ZN	1
9	10-0135	R0	ROPE EXIT HOOK PCW3000	1	30	39-0026		RETAINING RING EXT. 25mm	1
10	10-0136	R4	ROPE ENTRY HOOK PCW3000	1	31	39-0028		TAPPING SCREW - TYPE B-#10x1/2	2
11	10-0137	R5	WINCH HANDLE PCW3000	1	32	43-0057		KEY FOR CAPSTAN DRUM 76mm (8mm X 30mm)	1
12	10-0336	R2	GENERIC INFORMATION & SERIAL PLATE	1	33	44-0002	...	THROTTLE LEVER PCW3000	1
13	10-0415	R0	GEARBOX 200:1	1	34	44-0025	R1	LABEL - ROPE INSTALLATION	1
14	10-0530	R0	BOLT FOR ENTRY HOOK ASS'Y	1	35	44-0268	R0	LABEL - MULTI-ICONS FOR RECREATIONAL WINCHES	1
15	10-0531	R0	TENSION ROD	1	36	44-0269	R0	LABEL - DO NOT USE FOR LIFTING	1
16	10-0532	R0	CAP FOR TENSION ROD	1	37	45-0001	...	HONDA ENGINE GX-35 NT-S3	1
17	31-0010	...	HCS 1/2-13 X 6 - GR5 - ZN	1	38	49-0032		TYPE "U" DRIVE SCREWS 1/4" X 0.114"	4
18	31-0038		MACHINE SCREW 10-24 X 3/4 - ZN (PAN HEAD SQ. DR.)	1	39	49-0037	...	SNAP-IN ROUND PLUG 3/4"	1
19	32-0005	...	BHCS M6-1 x 20mm - SS	2	40	70-0031	R4	ON/OFF SWITCH ASSEMBLY FOR PCW3000 AND PCW4000	1
20	32-0007		SHCS M8-1.25 X 16 MM - BLACK	2	41	PCA-1281	...	SAFETY HOOK WLL: 3/4 TON	2
21	32-0008		HEX FLANGE SERRATED BOLT M8-1.25 X 16mm - ZN	1					

© 2023 Portable Winch Co. - All Rights Reserved - Tous droits réservés

R4	A5	PARTS #14, #15, #16 AND #29 ADDED	G.B.	A.B.	P.R.	2023-04-12
	B6	PART #34 REVISION UP	F.M.	I.D.	P.R.	20-09-23
R3	B8	PART 32-0004 REMOVED				
	B8	PART 32-0051 ADDED				
	C4	PART 43-0013 REMOVED				
	B4	PART 43-0057 ADDED				
	B4	PART 49-0037 ADDED				
REV	ZONE	DESCRIPTIONS	DR	CK	APP	DATE
REVISION						

DRAWN	F.MERCURE	TITLE	PCW3000	
CHECKED	F.MERCURE	SYSTEM	PCW3000	
APPROVED	P.ROY	MATERIAL	N/A	FINISH
APP. DATE	2021-12-11	FINISH	N/A	WEIGHT
INTERPRET PER ASSM Y14.5-2018		REFERENCE No.	PCW3000-R4	E.C. No.
GENERAL TOLERANCES IF NOT SPECIFIED		SCALE : SHOWN	B	REV. SHEET
0 ± 1mm		DO NOT MEASURE DIRECTLY ON DRAFT	PCW3000	R4 2/3
0.0 ± 0.5mm				
0.00 ± 0.25mm				
0.000 ± 0.025mm				
ANGLE ± 0.5°				
SURFACE ROUGHNESS 3.2µm				
HOLE POSITION ± 0.04mm				

