

PARTS LIST

MCV31R

CONTENTS

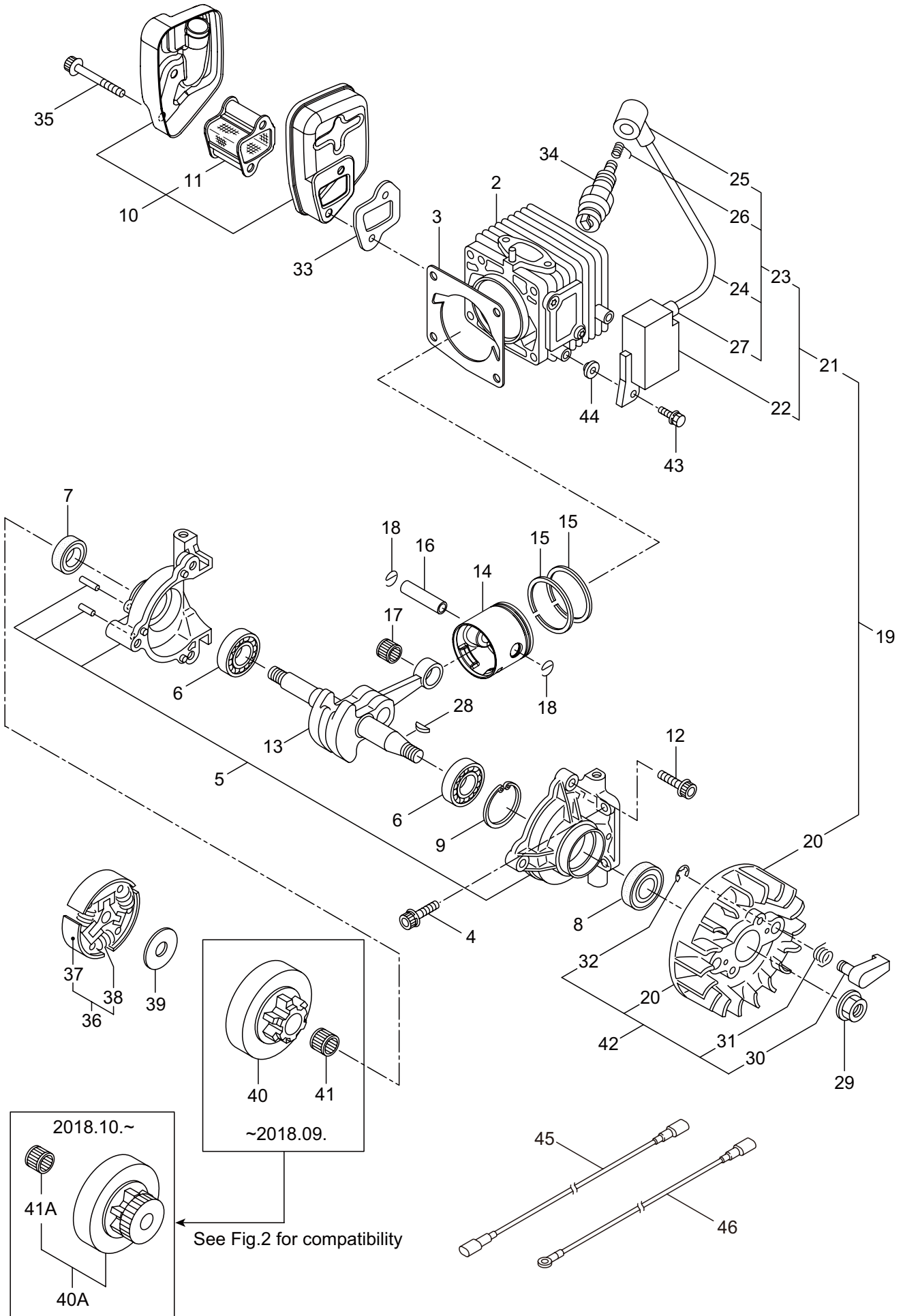
1. ENGINE	1
2. OIL PUMP	3
3. CARBURETOR	5
4. ENGINE CASE	9
5. RECOIL STARTER	11
6. HANDLE	13
7. CHAIN CASE	15
8. LABEL, ACCESSORIES	17

2020. 09.



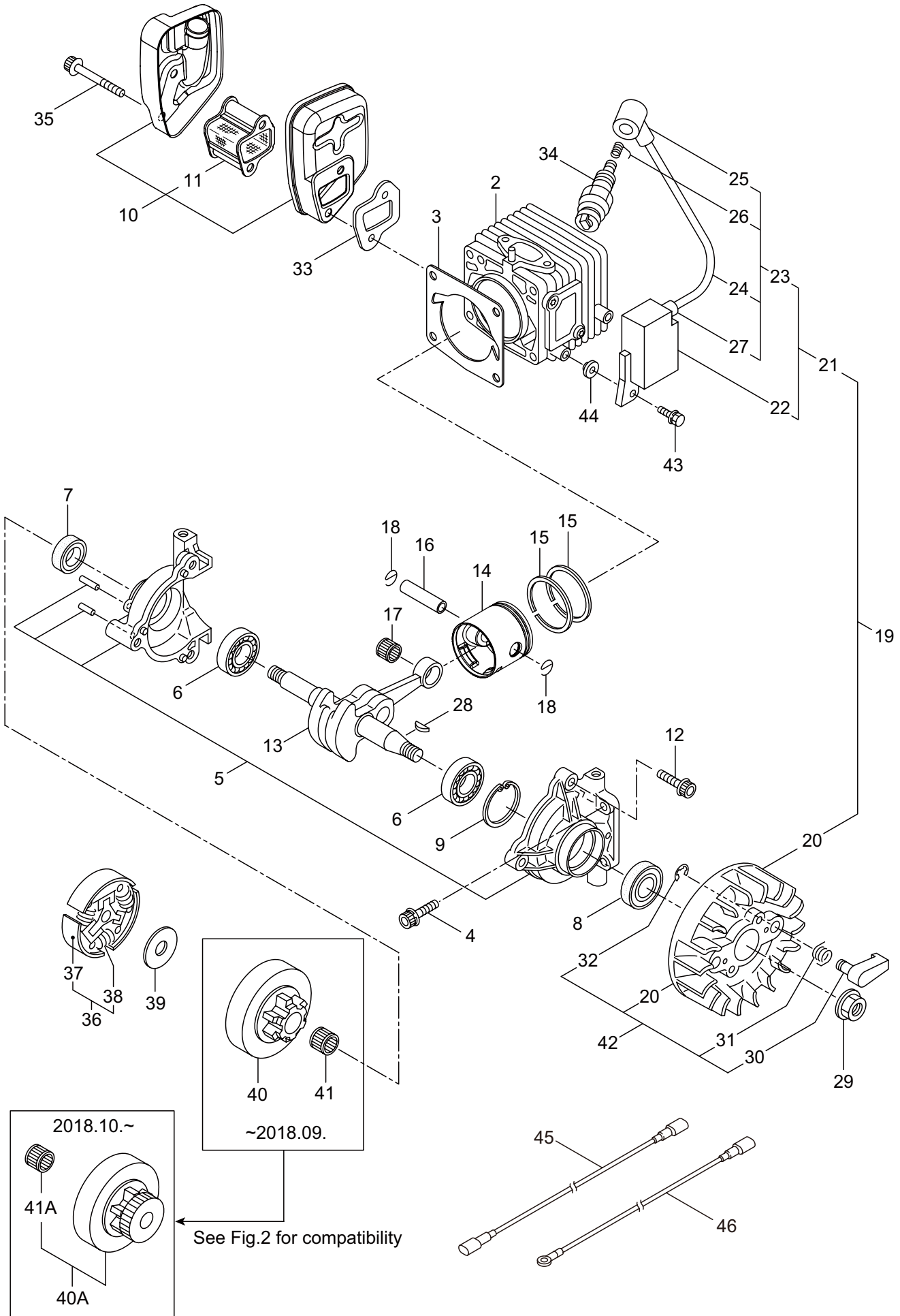
P/N 523690-1

MCV31R
1. ENGINE



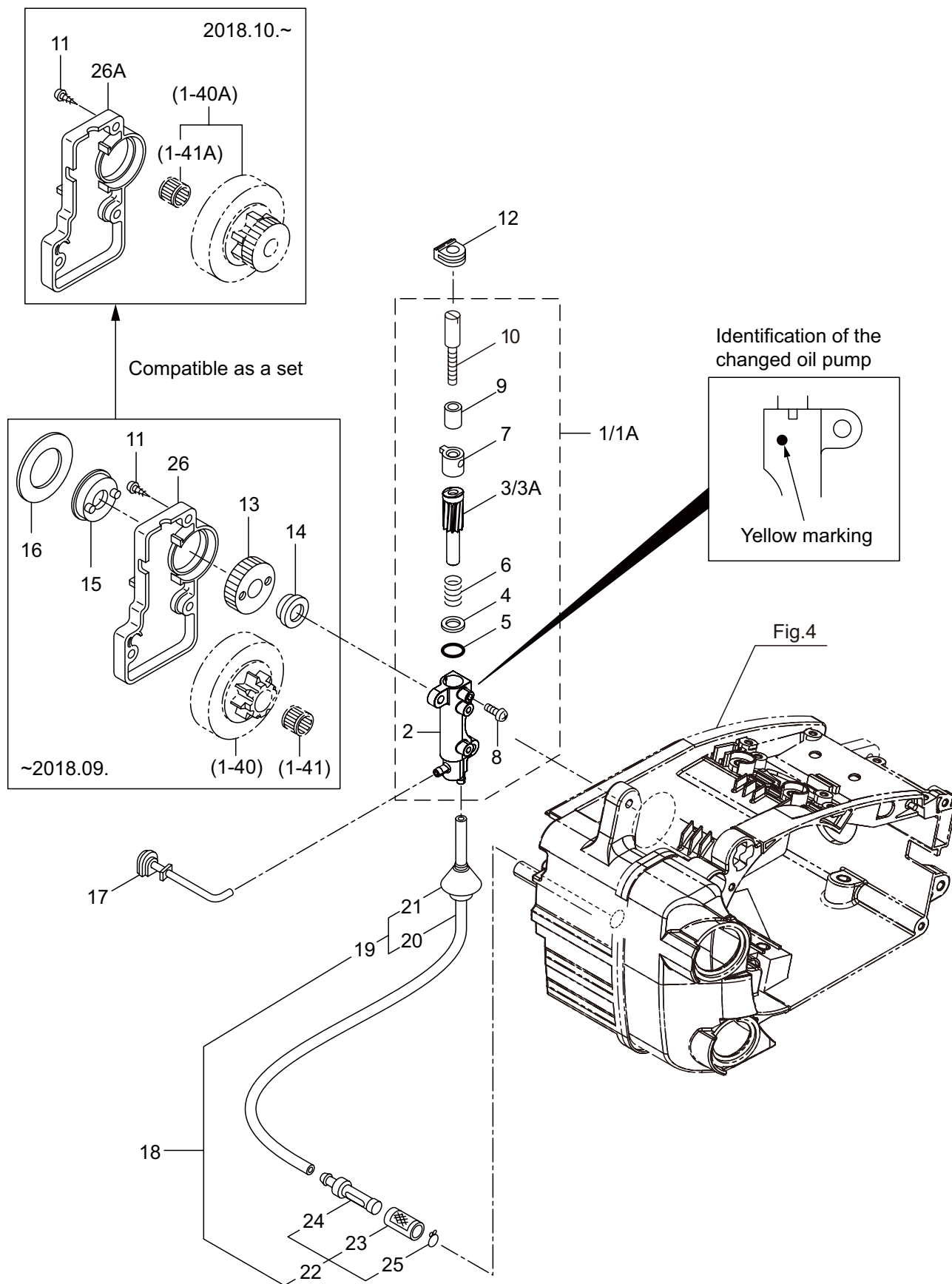
Ref. No.	Part No.	Part Name	Q'ty	Remarks
1-1	362812	MCV31R	1	
1-2	279300	Cylinder	1	
1-3	278403	Gasket	1	
1-4	261250	Cap Screw	4	M5x20
1-5	278868	Crankcase Comp	1	
1-6	285521	Bearing	2	
1-7	285626	Oil Seal	1	
1-8	261492	Oil Seal	1	ISCD12287
1-9	055185	Snap Ring	1	H28
1-10	289491	Muffler Ass'y	1	Incl.11
1-11	289493	Plate Comp	1	
1-12	261232	Cap Screw	3	M5x20
1-13	285599	Crankshaft Comp	1	
1-14	273265	Piston	1	
1-15	285590	Piston Ring	2	P111
1-16	285591	Piston Pin	1	
1-17	261037	Bearing,Needle	1	KBK8x11x11.8x1
1-18	261576	Clip,Piston	2	
1-19	289489	Magneto Ass'y	1	Incl.20-27
1-20	285555	Magneto Rotor	1	
1-21	289548	Ignition Coil Ass'y	1	Incl.22-27
1-22	289650	Coil	1	
1-23	286096	Cord Ass'y	1	Incl.24-27
1-24	286097	Cord	1	
1-25	261074	Plug Boot	1	
1-26	261075	Connector	1	
1-27	261072	Cap	1	
1-28	261076	Woodruff Key	1	3x10
1-29	261417	Nut,Rotor	1	M8
1-30	285553	Starter Pawl	2	
1-31	285552	Spring	2	
1-32	020299	E-Ring	2	#4
1-33	285472	Gasket	1	
1-34	285982	Spark Plug	1	NGK BPM8Y
1-35	264223	Cap Screw	2	M5x40
1-36	285535	Clutch Ass'y	1	Incl.37,38
1-37	285655	Clutch Shoe	3	
1-38	285656	Spring	3	
1-39	285537	Washer	1	8x26xt2
1-40	286238	Clutch Drum	1	~2018.09.
1-40A	279858	Clutch Drum Set	1	Incl.41A 2018.10.~
1-41	285624	Needle Bearing	1	10x13x13 ~2018.09.
1-41A	278744	Needle Bearing	1	KT101316E01C3 2018.10.~
1-42	288365	Rotor Ass'y	1	Incl.20,30-32
1-43	281211	Cap Screw	2	M4x20

MCV31R
1. ENGINE



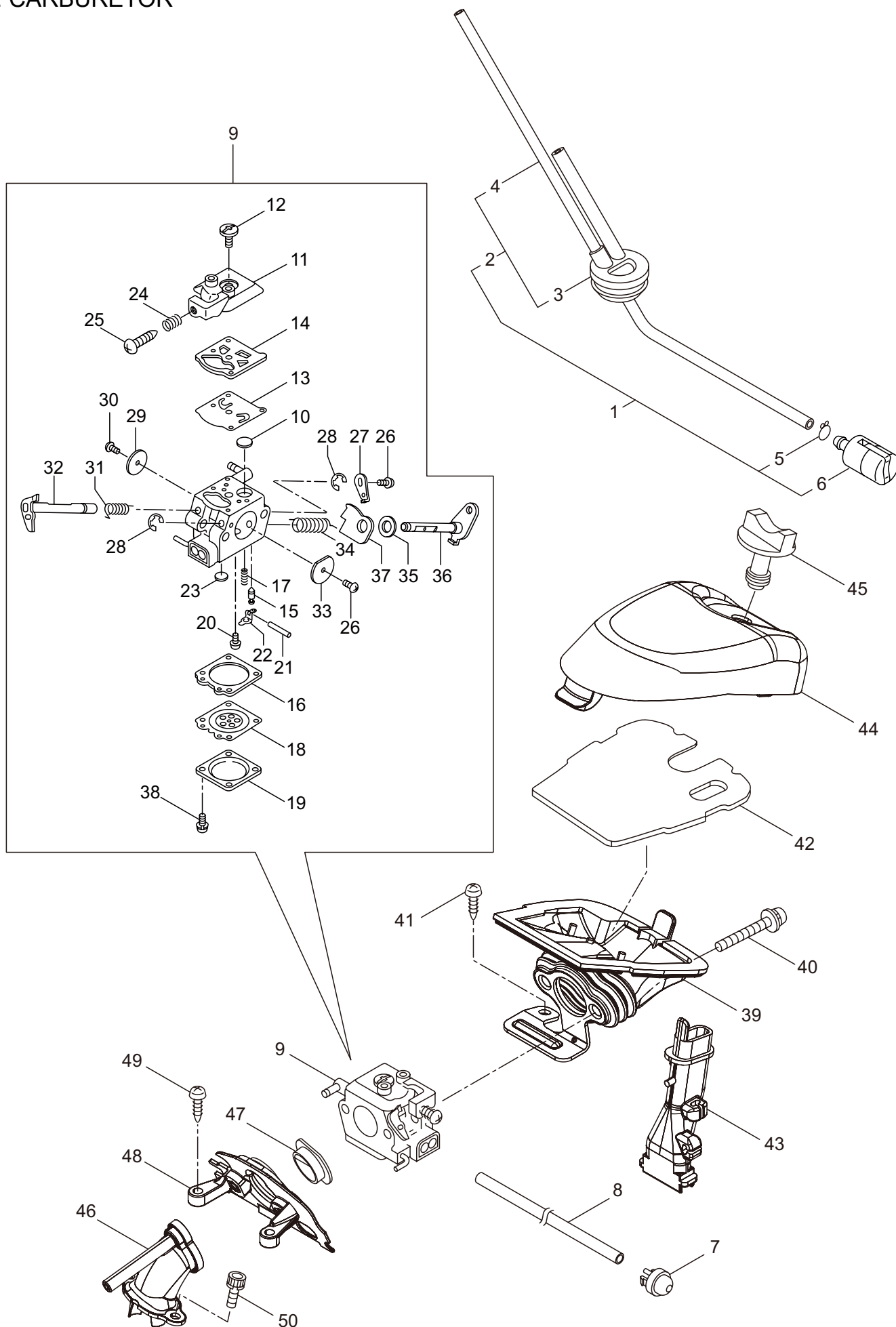
Ref. No.	Part No.	Part Name	Q'ty	Remarks
1-44	289481	Spacer	2	
1-45	285649	Lead	1	
1-46	285648	Lead	1	

MCV31R
2. OIL PUMP



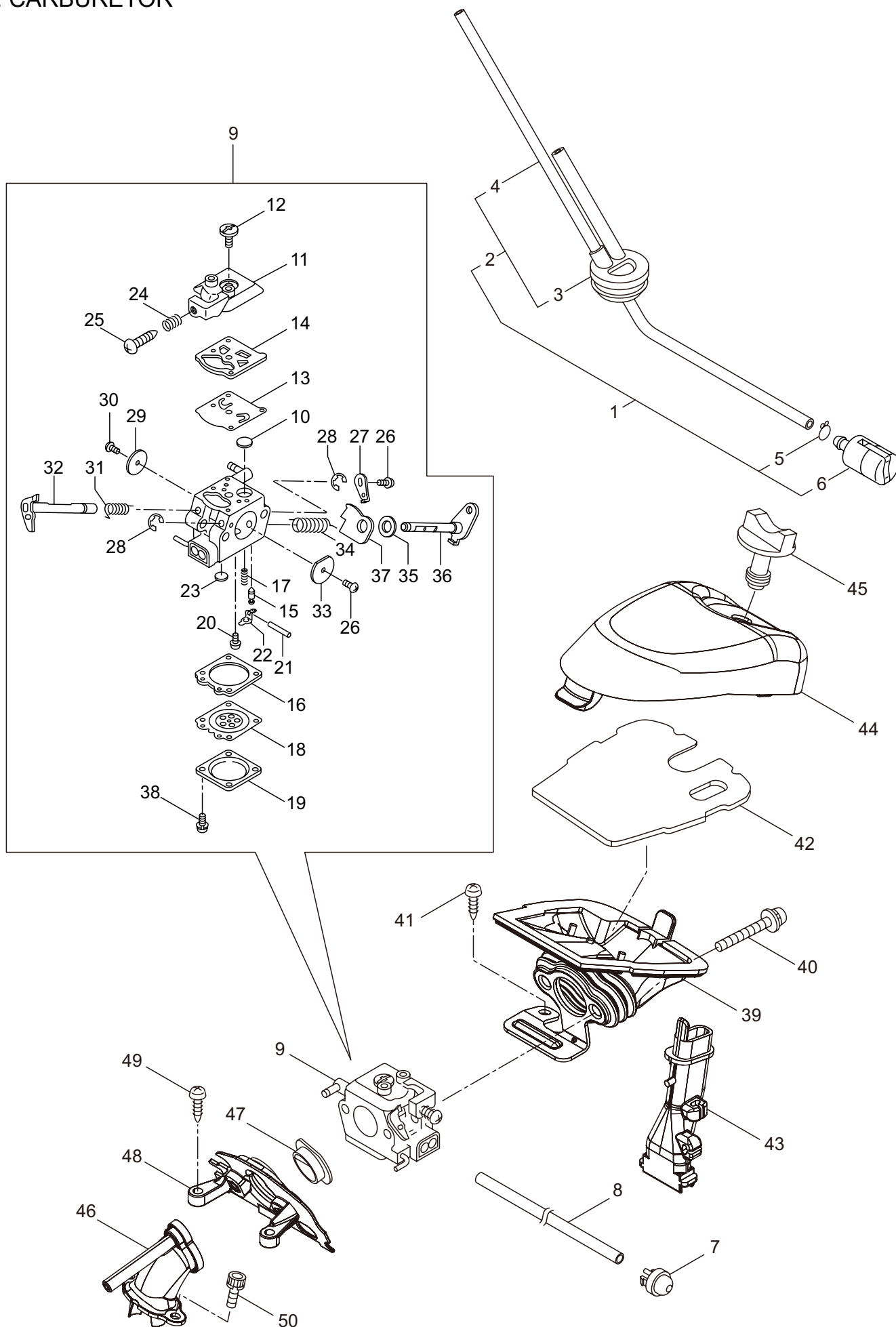
Ref. No.	Part No.	Part Name	Q'ty	Remarks
2-1	286811	Oil Pump Ass'y	1	Incl.2-10 ~2018.09.
2-1A	278748	Oil Pump Ass'y	1	Incl.2-10 2018.10.~
2-2	285527	Pump Body	1	
2-3	285550	Wheel Gear	1	~2018.09.
2-3A	285909	Wheel Gear	1	2018.10.~
2-4	286801	Washer	1	t0.5 6.5x9.8
2-5	014759	O-Ring	1	P6
2-6	285551	Spring	1	
2-7	285534	Pump Cap	1	
2-8	285630	Screw	1	M3x8
2-9	288185	Sleeve	1	6.6x4.2x6.1
2-10	286664	Screw	1	M4x23
2-11	285631	Screw	5	M4x16
2-12	285528	Grommet	1	
2-13	286303	Worm Gear	1	~2018.09.
2-14	286843	Bush	1	~2018.09.
2-15	286305	Bush	1	~2018.09.
2-16	286241	Washer	1	~2018.09.
2-17	285522	Oil Pipe A	1	
2-18	286802	Oil Pipe B Ass'y	1	Incl.19-25
2-19	285523	Oil Pipe B Ass'y	1	Incl.20,21
2-20	265725	Pipe	1	220L
2-21	261339	Grommet	1	
2-22	286818	Oil Filtr Ass'y	1	Incl.23-25
2-23	285524	Oil Filtr	1	
2-24	285525	Oil Filtr Body	1	
2-25	261117	Clip	1	
2-26	285598	Oil Pump Cover	1	~2018.09.
2-26A	278743	Oil Pump Cover	1	2018.10.~

MCV31R
3. CARBURETOR



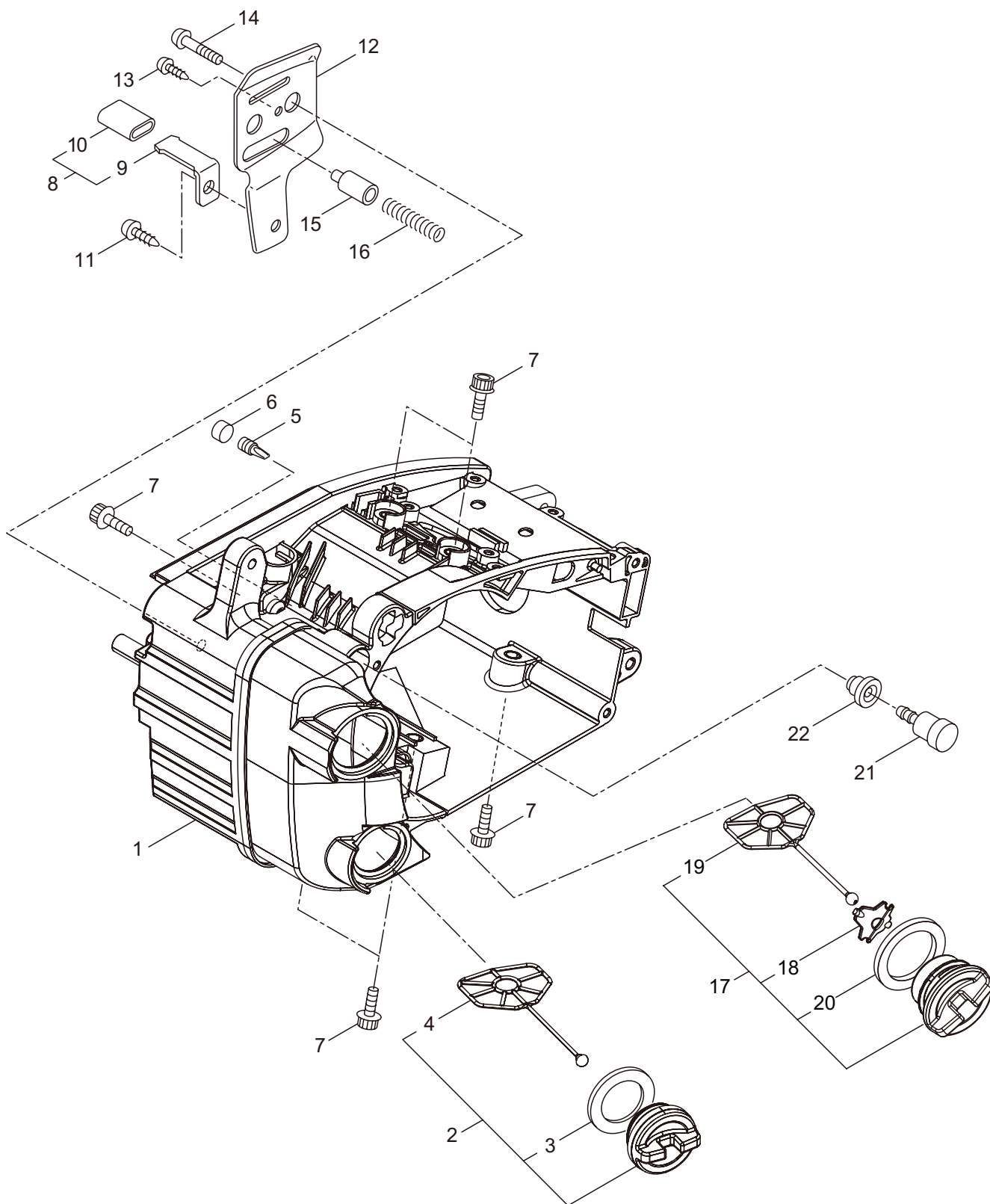
Ref. No.	Part No.	Part Name	Q'ty	Remarks
3-1	289496	Fuel Pipe Ass'y	1	Incl.2-6
3-2	289497	Pipe Ass'y	1	Incl.3,4
3-3	285490	Fuel Grommet	1	
3-4	289498	Fuel Pipe A	1	
3-5	261117	Clip	2	
3-6	286749	Filter Ass'y	1	
3-7	282299	Pump	1	
3-8	285492	Fuel Pipe B	1	2.4x5x145L
3-9	289500	Carburetor Ass'y	1	Incl.10-38
3-10	261872	Screen	1	
3-11	287168	Pump Cover	1	
3-12	287169	Screw	1	
3-13	287170	Diaphragm	1	
3-14	287171	Gasket	1	
3-15	262986	Needle Valve	1	
3-16	263727	Gasket	1	
3-17	287172	Spring	1	
3-18	283905	Diaphragm, Meterring	1	
3-19	263726	Cover Plate	1	
3-20	287173	Screw	1	
3-21	262989	Lever Pin	1	
3-22	262990	Lever	1	
3-23	287174	Plug	1	
3-24	287178	Spring	1	
3-25	287179	Idle Adjust Screw	1	
3-26	287180	Screw	2	
3-27	287181	Lever	1	
3-28	287182	Ring	2	
3-29	287183	Throttle Valve	1	
3-30	287184	Screw	1	
3-31	287185	Spring	1	
3-32	287186	Shaft	1	
3-33	287187	Choke Valve	1	
3-34	287188	Spring	1	
3-35	287189	Washer	1	
3-36	287190	Shaft	1	
3-37	287191	Lever	1	
3-38	287192	Screw	4	
3-39	285505	Boots Comp	1	
3-40	285633	Screw	2	M5x45
3-41	285631	Screw	1	M4x16
3-42	285507	Element	1	
3-43	285508	Duct	1	
3-44	285512	Cleaner Cover	1	
3-45	285540	Knob	1	

MCV31R
3. CARBURETOR



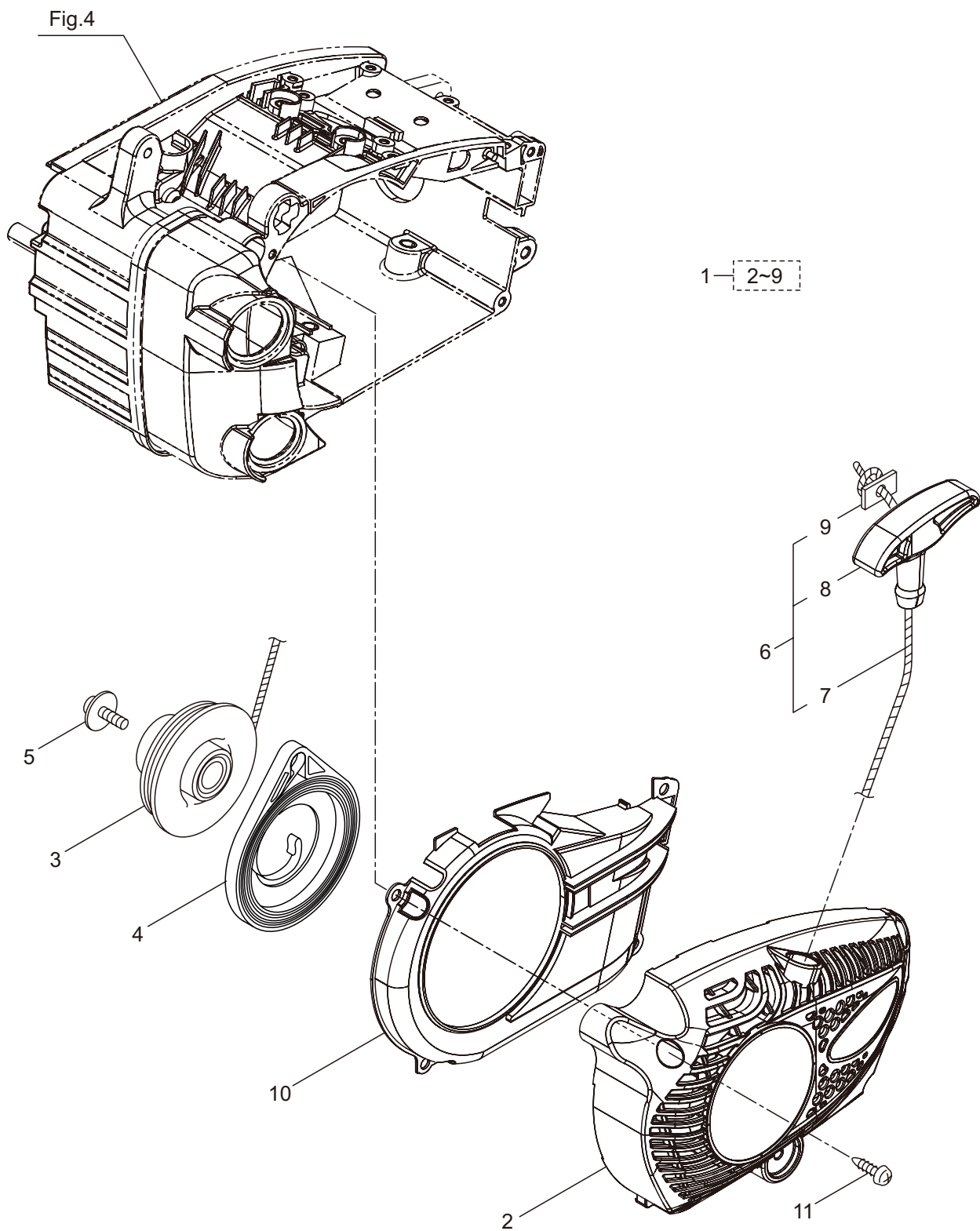
Ref. No.	Part No.	Part Name	Q'ty	Remarks
3-46	285495	Insulator	1	
3-47	288551	Ring	1	
3-48	285497	Plate	1	
3-49	285631	Screw	2	M4x16
3-50	285618	Bolt	2	M4x12

MCV31R
4. ENGINE CASE



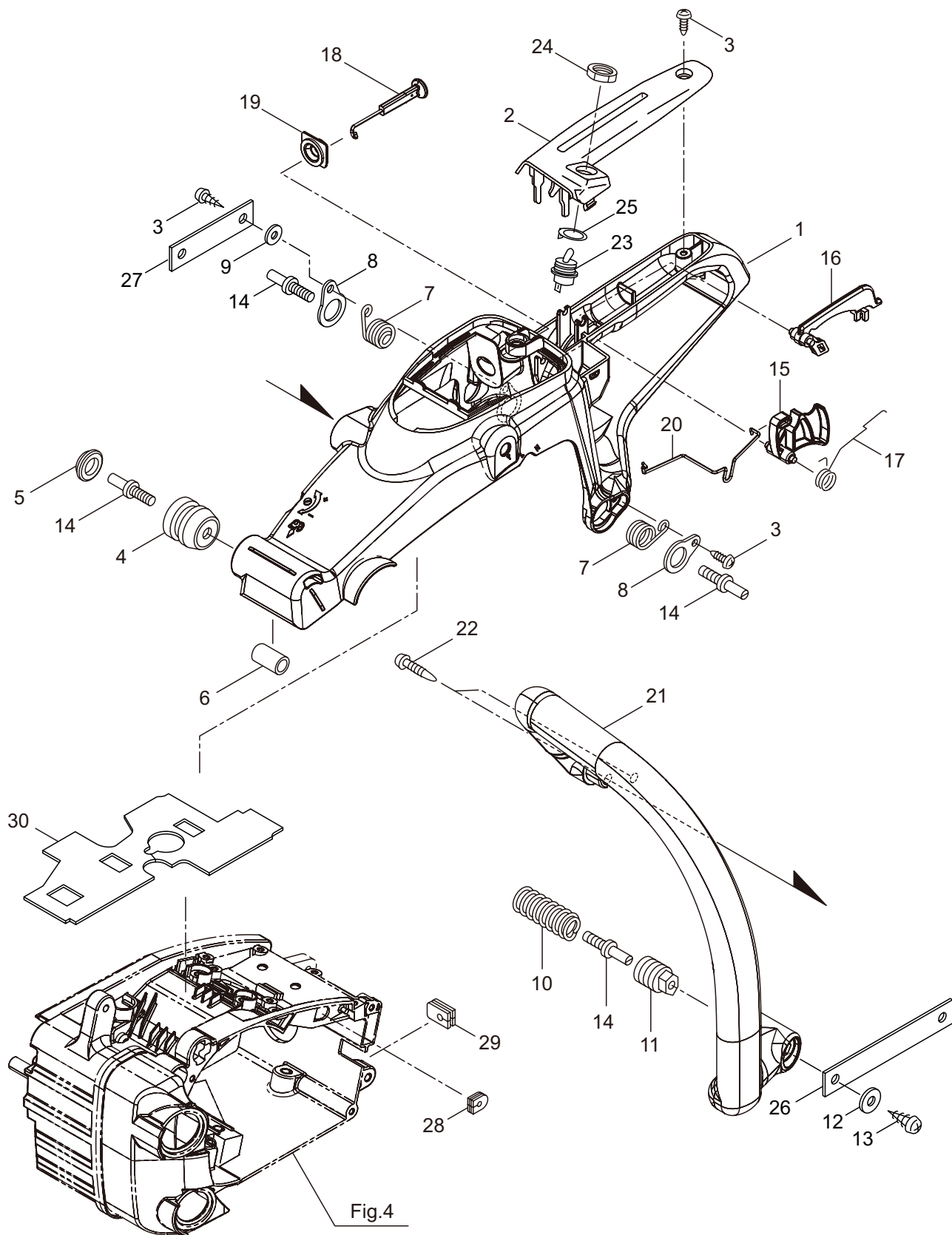
Ref. No.	Part No.	Part Name	Q'ty	Remarks
4-1	285703	Engine Case Ass'y	1	Incl.3,4
4-2	285501	Oil Cap Ass'y	1	
4-3	285503	Packing	1	
4-4	285504	Holder	1	
4-5	285574	Breather	1	
4-6	285526	Element	1	M5x16 Incl.10,11 7x10.5x18L
4-7	285632	Bolt	6	
4-8	286803	Chain Catcher Ass'y	1	
4-9	285583	Chain Catcher	1	
4-10	285585	Tube	1	
4-11	285634	Screw	1	M5x14 M3x8 M5x20x8
4-12	285531	Guide Plate L	1	
4-13	285627	Screw	1	
4-14	286804	Screw	1	
4-15	285628	Cap	1	
4-16	285629	Spring	1	Incl.18-20
4-17	289502	Fuel Cap Ass'y	1	
4-18	289477	Holder	1	
4-19	285504	Holder	1	
4-20	289476	Packing	1	
4-21	285832	Breather Ass'y	1	
4-22	285573	Breather Grommet	1	

MCV31R
5. RECOIL STARTER



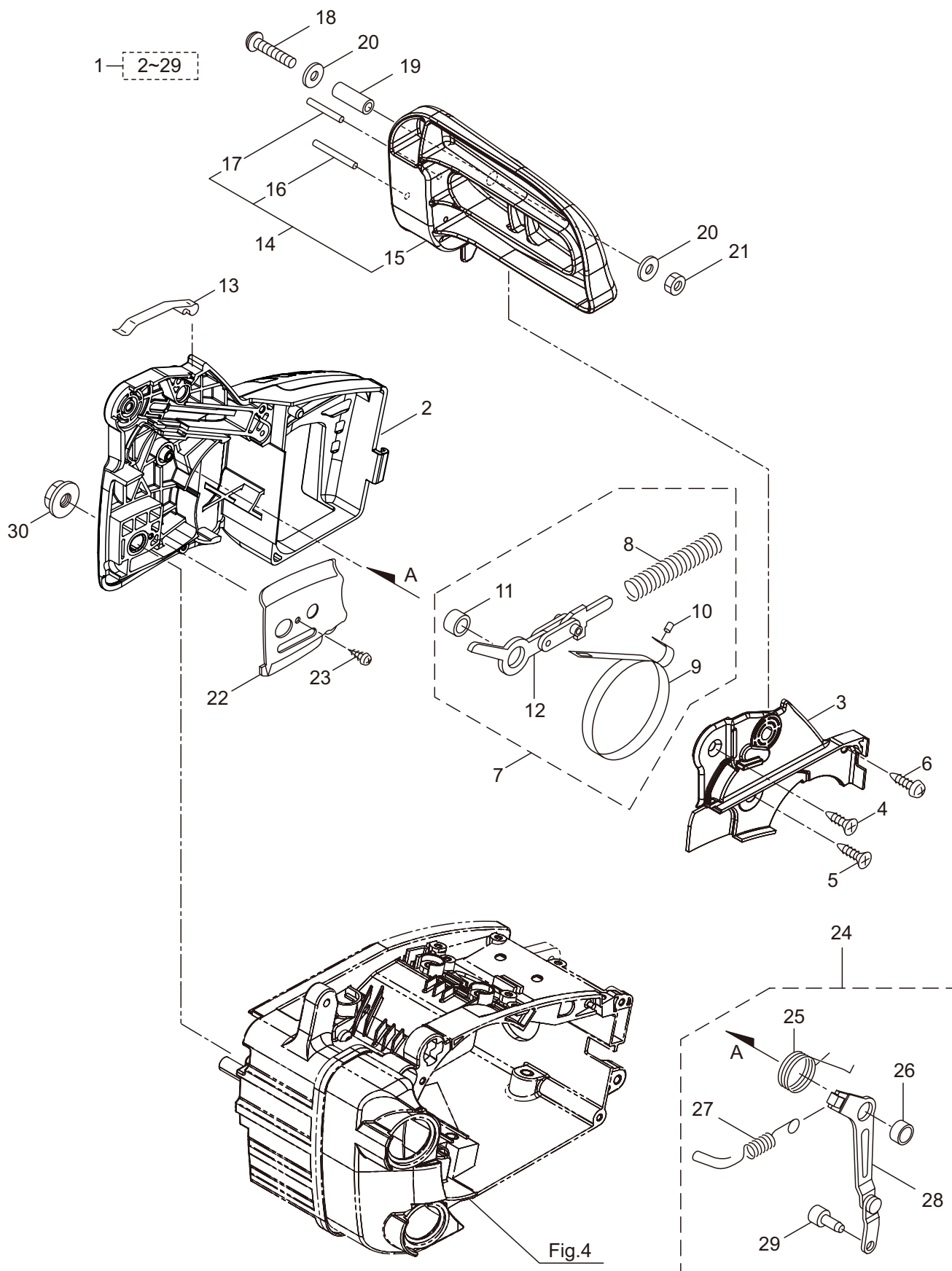
Ref. No.	Part No.	Part Name	Q'ty	Remarks
5-1	285737	Recoil Starter Ass'y	1	Incl.2-9
5-2	285695	Starter Case Comp	1	
5-3	285698	Reel	1	
5-4	283275	Spring Ass'y	1	
5-5	262922	Screw	1	
5-6	286066	Rope Ass'y	1	Incl.7-9
5-7	285702	Starter Rope	1	
5-8	285581	Starter Knob	1	
5-9	283281	Rope Stopper	1	
5-10	285548	Fan Cover	1	
5-11	285631	Screw	4	M4x16

MCV31R
6. HANDLE



Ref. No.	Part No.	Part Name	Q'ty	Remarks
6-1	285513	Rear Handle	1	M4x16
6-2	285514	Rear Handle Cover	1	
6-3	285631	Screw	3	
6-4	285582	Buffer	1	
6-5	285473	Cap	1	
6-6	285515	Pipe	1	4.2x9.8x2.3 2016.04.~
6-7	285592	Spring	2	
6-8	285645	Stay	2	
6-9	273576	Washer	1	
6-10	285593	Spring	1	
6-11	285604	Boss	1	5.7x15.8xt2 M5x20
6-12	263743	Washer	1	
6-13	285636	Screw	1	
6-14	285474	Stopper Bolt	4	
6-15	285516	Throttle Lever	1	
6-16	285517	Safety Lever	1	
6-17	285518	Spring	1	
6-18	285509	Choke Rod	1	
6-19	285510	Grommet	1	
6-20	285511	Push Rod	1	
6-21	285519	Front Handle	1	M5x30 M12x0.75
6-22	285665	Screw	2	
6-23	286873	Stop Switch	1	
6-24	269582	Nut	1	
6-25	286874	Connector	1	
6-26	289504	Strap F	1	
6-27	289505	Strap R	1	
6-28	287300	Grommet	1	
6-29	285549	Grommet	1	
6-30	289097	Gasket	1	

MCV31R
7. CHAIN CASE



Ref. No.	Part No.	Part Name	Q'ty	Remarks
7-1	273066	Chain Case Ass'y	1	Incl.2-29
7-2	289508	Chain Case	1	
7-3	285622	Side Cover	1	
7-4	285637	Screw	1	M5x12
7-5	285639	Screw	1	M4x14
7-6	285644	Screw	1	M4x12
7-7	286823	Brake Ass'y	1	Incl.8-12
7-8	285605	Spring	1	
7-9	285572	Band	1	
7-10	285560	Pin	1	3x9.8
7-11	285606	Collar	1	8.2x12x7.2L
7-12	285570	Lever Comp	1	
7-13	285595	Return Spring	1	
7-14	286054	Front Guard Comp	1	Incl.15-17
7-15	286000	Front Guard	1	
7-16	285563	Pin	1	3x29.8
7-17	286048	Pin	1	3x23.8L
7-18	285638	Screw	1	M5x30
7-19	285607	Collar	1	5.2x7.5x22.5L
7-20	286045	Washer	2	5.3x15x1.2
7-21	285640	Nut	1	M5x0.8
7-22	285532	Guide Plate R	1	
7-23	285627	Screw	2	M3x8
7-24	286034	Tensioner Ass'y	1	Incl.25-29
7-25	285596	Spring	1	
7-26	285608	Collar	1	7.4x10x5.5L
7-27	289726	Spring	1	
7-28	285609	Link Comp	1	
7-29	285614	Boss	1	
7-30	283041	Nut	1	M8

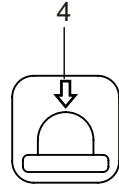
MCV31R

8. LABEL, ACCESSORIES



2
TO AVOID KICKBACK
 1. Both of the operator's hands must be used to operate the chain saw.
 2. Contact of the guide bar tip with any object should be avoided.
 3. Tip contact may cause the guide bar to move suddenly upward and backward, which may cause serious injury.

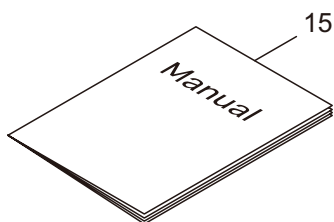
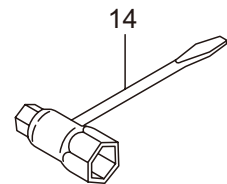
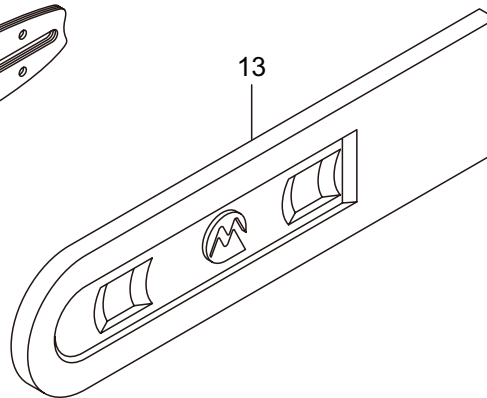
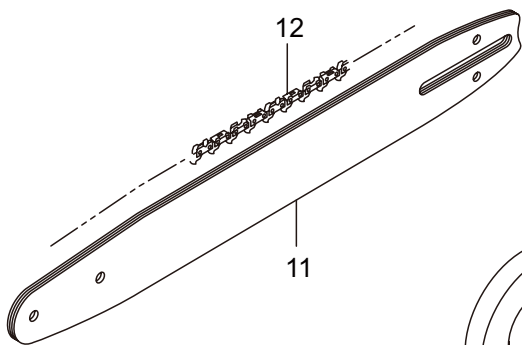
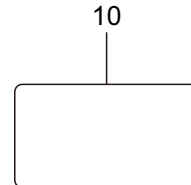
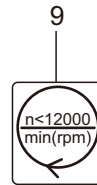
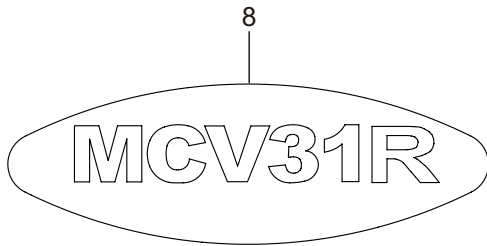
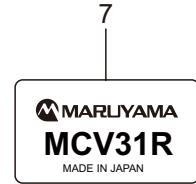
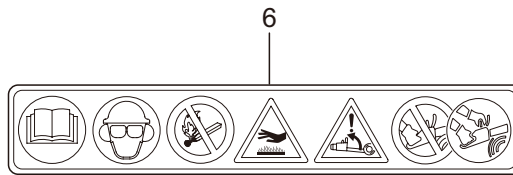
3
WARNING: Read and follow all safety precautions in the instruction manual. Failure to follow instructions could result in serious personal injury.
 272017



5

GUIDE BAR	CHAIN	REPLACEMENT BAR AND CHAIN
P/N OREGON	P/N OREGON	Note: For the details of guide bar and saw chain combinations, see the instruction manual.
12" 120SDEA041	91PX045E	There may be other replacement components for achieving kickback protection.
14" 140SDEA041	91PX052E	

 272018



Ref. No.	Part No.	Part Name	Q'ty	Remarks
8-1	271972	Label	1	CEC300 MARUYAMA
8-2	272016	Label	1	KICKBACK
8-3	272017	Label	1	WARNING
8-4	272020	Label	1	
8-5	272019	Label	1	
8-6	287161	Label	1	
8-7	272806	Label	1	MARUYAMA MCV31R
8-8	272807	Label	1	MCV31R
8-9	287616	Label	1	
8-10	285188	Label	1	
8-11	286828	Guide Bar	1	
8-12	289538	Chain	1	
8-13	286840	Chain Cover	1	
8-14	288652	Combi Box Spanner	1	13x19 L=190
8-15	272558	Instruction Manual	1	MCV31R