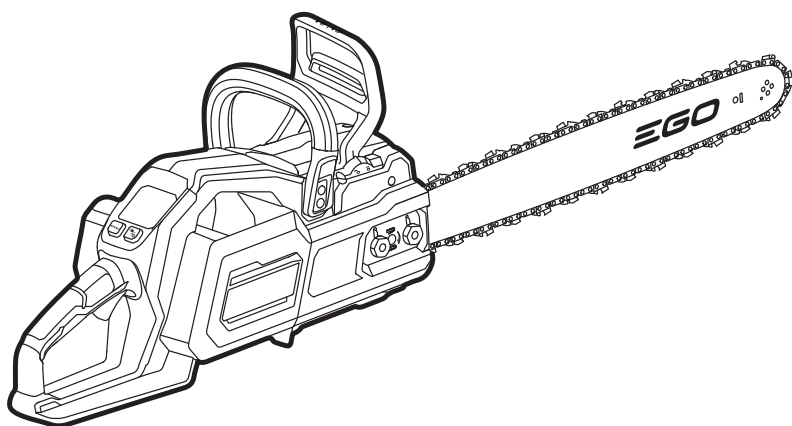


EGO™

POWER⁺ CHAIN SAW



**FILL OIL TANK WITH BAR AND
CHAIN OIL BEFORE FIRST USE**

OPERATOR'S MANUAL

56V LITHIUM-ION

Français p. 55

CORDLESS 20" CHAIN SAW

Español p. 115

MODEL NUMBER CS2000/CS2000-FC

⚠ WARNING: To reduce the risk of injury, the user must read and understand the Operator's Manual before using this product. Save these instructions for future reference.



READ ALL INSTRUCTIONS!



READ & UNDERSTAND
OPERATOR'S MANUAL

TABLE OF CONTENTS

Safety Symbols	3
Symbols	4-5
General Safety Instructions	6-9
Safety Instructions for Chain Saws	9-16
Additional Safety Instructions	16
FCC Statement	17
Introduction	18
Specifications	19
Packing List	19
Accessories	19
Description	20-23
Assembly	24
Operation	25-38
Maintenance	39-48
Troubleshooting	49-51
EGO Limited Warranty	52-53

SAFETY SYMBOLS

The purpose of safety symbols is to attract your attention to possible dangers. The safety symbols and the explanations with them deserve your careful attention and understanding. The symbol warnings do not, by themselves, eliminate any danger. The instructions and warnings they give are no substitutes for proper accident prevention measures.

⚠ WARNING! Be sure to read and understand all safety instructions in this Operator’s Manual, including all safety alert symbols such as “**DANGER**”, “**WARNING**”, and “**CAUTION**” before using this machine. Failure to follow all instructions listed below may result in electric shock, fire, and/or serious personal injury.

The definitions below describe the level of severity for each signal word. Please read the manual and pay attention to these symbols.	
	This is the safety alert symbol. It is used to alert you to potential personal injury hazards. Obey all safety messages that follow this symbol to avoid possible injury or death.
	DANGER indicates a hazardous situation which, if not avoided, will result in death or serious injury.
	WARNING indicates a hazardous situation which, if not avoided, could result in death or serious injury.
	CAUTION, used with the safety alert symbol, indicates a hazardous situation which, if not avoided, will result in minor or moderate injury.









DAMAGE PREVENTION AND INFORMATION MESSAGES

These inform the user of important information and/or instructions that could lead to equipment or other property damage if they are not followed. Each message is preceded by the word “NOTICE”, as in the example below:

NOTICE: Equipment and/or property damage may result if these instructions are not followed.

SYMBOLS

This page depicts and describes safety symbols that may appear on this product. Read, understand, and follow all instructions on the machine before attempting to assemble and operate.

	Safety Alert	Precautions that involve your safety.
	Read & Understand Operator's Manual	To reduce the risk of injury, user must read and understand the operator's manual before using this product.
	Wear Eye Protection	Always wear safety goggles or safety glasses with side shields and a full face shield when operating this product.
	Wear Ear Protection	Chain saw noise may damage your hearing. Always wear sound barriers (ear plugs or ear muffs) to protect your hearing.
	Wear Head Protection	Wear an approved safety hard hat to protect your head.
	Wear Protective Gloves	Protect your hands with gloves when handling saw and saw chain. Heavy-duty, nonslip gloves improve your grip and protect your hands.
	Wear Safety Footwear	Wear non-slip safety footwear when using this equipment.
	Guide bar tip kickback	Tip contact can cause the guide bar to move suddenly upward and backward, which can cause serious injury.

	Two handed hold	Always use both hands when operating the chain saw.
	Bluetooth®	Bluetooth® Symbol
	Recycle Symbols	This product uses lithium-ion (Li-ion) batteries. Local, state, or federal laws may prohibit disposal of batteries in ordinary trash. Consult your local waste authority for information regarding available recycling and/or disposal options.
IP...	Ingress Protection Degree	Classifies the degree of protection provided by an enclosure, for electrical equipment.
	Direct Current (DC)	Type or a characteristic of current
V	Volt	Voltage
mm	Millimeter	Length or size
cm	Centimeter	Length or size
ft	Foot	Length or size
in.	Inch	Length or size
kg	Kilogram	Weight
lb	Pound	Weight
ml	Milliliter	Volume
fl.oz	Fluid Ounce	Volume
°C	Degrees Celsius	Temperature
°F	Degrees Fahrenheit	Temperature

GENERAL SAFETY INSTRUCTIONS

⚠ WARNING! Read all safety warnings, instructions, illustrations and specifications provided with this machine. Failure to follow all instructions listed below may result in electric shock, fire and/or serious injury.

Save all warnings and instructions for future reference.

The term "machine" in the warnings refers to your mains-operated (corded) machine or battery-operated (cordless) machine.

Work Area Safety

- **Keep work area clean and well lit.** Cluttered or dark areas invite accidents.
- **Do not operate machines in explosive atmospheres, such as in the presence of flammable liquids, gases or dust.** Machines create sparks which may ignite the dust or fumes.
- **Keep children and bystanders away while operating a machine.** Distractions can cause you to lose control.

Electrical Safety

- **Machine plugs must match the outlet. Never modify the plug in any way. Do not use any adapter plugs with earthed (grounded) machines.** Unmodified plugs and matching outlets will reduce risk of electric shock.
- **Avoid body contact with earthed or grounded surfaces, such as pipes, radiators, ranges and refrigerators.** There is an increased risk of electric shock if your body is earthed or grounded.
- **Do not expose machines to rain or wet conditions.** Water entering a machine will increase the risk of electric shock.
- **Do not abuse the cord. Never use the cord for carrying, pulling or unplugging the machine. Keep cord away from heat, oil, sharp edges or moving parts.** Damaged or entangled cords increase the risk of electric shock.
- **When operating a machine outdoors, use an extension cord suitable for outdoor use.** Use of a cord suitable for outdoor use reduces the risk of electric shock.
- **If operating a machine in a damp location is unavoidable, use a ground fault circuit interrupter (GFCI) protected supply.** Use of a GFCI reduces the risk of electric shock.

Personal Safety

- **Stay alert, watch what you are doing and use common sense when operating a machine. Do not use a machine while you are tired or under the influence of drugs, alcohol or medication.** A moment of inattention while operating machines may result in serious personal injury.
- **Use personal protective equipment. Always wear eye protection.** Protective equipment such as a dust mask, non-skid safety shoes, hard hat or hearing protection used for appropriate conditions will reduce personal injuries.
- **Prevent unintentional starting. Ensure the switch is in the off-position before connecting to power source and/or battery pack, picking up or carrying the machine.** Carrying machines with your finger on the switch or energizing machines that have the switch on invites accidents.
- **Remove any adjusting key or wrench before turning the machine on.** A wrench or a key left attached to a rotating part of the machine may result in personal injury.
- **Do not overreach. Keep proper footing and balance at all times.** This enables better control of the machine in unexpected situations.
- **Dress properly. Do not wear loose clothing or jewelry. Keep your hair and clothing away from moving parts.** Loose clothes, jewelry or long hair can be caught in moving parts.
- **If devices are provided for the connection of dust extraction and collection facilities, ensure these are connected and properly used.** Use of dust collection can reduce dust-related hazards.
- **Do not let familiarity gained from frequent use of machines allow you to become complacent and ignore machine safety principles.** A careless action can cause severe injury within a fraction of a second.

Machine Use and Care

- **Do not force the machine. Use the correct machine for your application.** The correct machine will do the job better and safer at the rate for which it was designed.
- **Do not use the machine if the switch does not turn it on and off.** Any machine that cannot be controlled with the switch is dangerous and must be repaired.

- **Disconnect the plug from the power source and/or remove the battery pack, if detachable, from the machine before making any adjustments, changing accessories, or storing machines.** Such preventive safety measures reduce the risk of starting the machine accidentally.
- **Store idle machines out of the reach of children and do not allow persons unfamiliar with the machine or these instructions to operate the machine.** Machines are dangerous in the hands of untrained users.
- **Maintain machines and accessories. Check for misalignment or binding of moving parts, breakage of parts and any other condition that may affect the machine's operation. If damaged, have the machine repaired before use.** Many accidents are caused by poorly maintained machines.
- **Keep cutting machines sharp and clean.** Properly maintained cutting machines with sharp cutting edges are less likely to bind and are easier to control.
- **Use the machine, accessories and machine bits etc. in accordance with these instructions, taking into account the working conditions and the work to be performed.** Use of the machine for operations different from those intended could result in a hazardous situation.
- **Keep handles and grasping surfaces dry, clean and free from oil and grease.** Slippery handles and grasping surfaces do not allow for safe handling and control of the machine in unexpected situations.

Battery Machine Use and Care

- **Recharge only with the charger specified by the manufacturer.** A charger that is suitable for one type of battery pack may create a risk of fire when used with another battery pack.
- **Use machines only with specifically designated battery packs.** Use of any other battery packs may create a risk of injury and fire.
- **When battery pack is not in use, keep it away from other metal objects, like paper clips, coins, keys, nails, screws or other small metal objects, that can make a connection from one terminal to another.** Shorting the battery terminals together may cause burns or a fire.
- **Under abusive conditions, liquid may be ejected from the battery; avoid contact. If contact accidentally occurs, flush with water. If liquid contacts eyes, additionally seek medical help.** Liquid ejected from the battery may cause irritation or burns.

- **Do not use a battery pack or machine that is damaged or modified.** Damaged or modified batteries may exhibit unpredictable behavior resulting in fire, explosion or risk of injury.
- **Do not expose a battery pack or machine to fire or excessive temperature.** Exposure to fire or temperature above 265 °F (130 °C) may cause explosion.
- **Follow all charging instructions and do not charge the battery pack or machine outside the temperature range specified in the instructions.** Charging improperly or at temperatures outside the specified range may damage the battery and increase the risk of fire.

Service

- **Have your machine serviced by a qualified repair person using only identical replacement parts.** This will ensure that the safety of the machine is maintained.
- **Never service damaged battery packs.** Service of battery packs should only be performed by the manufacturer or authorized service providers.

SAFETY INSTRUCTIONS FOR CHAIN SAWS

- **Keep all parts of the body away from the saw chain when the chain saw is operating. Before you start the chain saw, make sure the saw chain is not contacting anything.** A moment of inattention while operating chain saws may cause entanglement of your clothing or body with the saw chain.
- **Always hold the chain saw with your right hand on the rear handle and your left hand on the front handle.** Holding the chain saw with a reversed hand configuration increases the risk of personal injury and should never be done.
- **Hold the chain saw by insulated gripping surfaces only, because the saw chain may contact hidden wiring.** Saw chains contacting a "live" wire may make exposed metal parts of the chain saw "live" and could give the operator an electric shock.
- **Wear eye protection. Further protective equipment for hearing, head, hands, legs and feet is recommended.** Adequate protective equipment will reduce personal injury from flying debris or accidental contact with the saw chain.
- **Do not operate a chain saw, on a ladder, from a rooftop, or any unstable support.** Operation of a chain saw in this manner could result in serious personal injury.

- **Do not operate a chain saw in a tree unless you have been specifically trained to do so.** Operation of a chain saw in a tree without proper training could increase the risk of serious personal injury.
- **Always keep proper footing and operate the chain saw only when standing on fixed, secure and level surface.** Slippery or unstable surfaces may cause a loss of balance or control of the chain saw.
- **When cutting a limb that is under tension, be alert for spring back.** When the tension in the wood fibers is released, the spring loaded limb may strike the operator and/or throw the chain saw out of control.
- **Use extreme caution when cutting brush and saplings.** The slender material may catch the saw chain and be whipped toward you or pull you off balance.
- **Carry the chain saw by the front handle with the chain saw switched off and away from your body. When transporting or storing the chain saw, always fit the guide bar cover.** Proper handling of the chain saw will reduce the likelihood of accidental contact with the moving saw chain.
- **Follow instructions for lubricating, chain tensioning and changing the bar and chain.** Improperly tensioned or lubricated chain may either break or increase the chance for kickback.
- **Cut wood only. Do not use chain saw for purposes not intended. For example: do not use chain saw for cutting metal, plastic, masonry or non-wood building materials.** Use of the chain saw for operations different than intended could result in a hazardous situation.
- **Do not attempt to fell a tree until you have an understanding of the risks and how to avoid them.** Serious injury could occur to the operator or bystanders while felling a tree.
- **Follow all instructions when clearing jammed material, storing or servicing the chain saw. Make sure the switch is off and the battery pack is removed.** Unexpected actuation of the chain saw while clearing jammed material or servicing may result in serious personal injury.

CAUSES AND OPERATOR PREVENTION OF KICKBACK

Kickback may occur when the nose or tip of the guide bar touches an object, or when the wood closes in and pinches the saw chain in the cut.

Tip contact in some cases may cause a sudden reverse reaction, kicking the guide bar up and back towards the operator.

Pinching the saw chain along the top of the guide bar may push the guide bar rapidly back towards the operator.

Either of these reactions may cause you to lose control of the saw which could result in serious personal injury. Do not rely exclusively upon the safety devices built into your saw. As a chain saw user, you should take several steps to keep your cutting jobs free from accident or injury.

Kickback is the result of chain saw misuse and/or incorrect operating procedures or conditions and can be avoided by taking proper precautions as given below:

- **Maintain a firm grip, with thumbs and fingers encircling the chain saw handles, with both hands on the saw and position your body and arm to allow you to resist kickback forces.** Kickback forces can be controlled by the operator, if proper precautions are taken. Do not let go of the chain saw.
- **Do not overreach and do not cut above shoulder height.** This helps prevent unintended tip contact and enables better control of the chain saw in unexpected situations.
- **Only use replacement guide bars and saw chains specified by the manufacturer.** Incorrect replacement guide bars and saw chains may cause chain breakage and/or kickback.
- **Follow the manufacturer's sharpening and maintenance instructions for the saw chain.** Decreasing the depth gauge height can lead to increased kickback.

KICKBACK SAFETY DEVICES ON THIS CHAIN SAW

Chain Brake

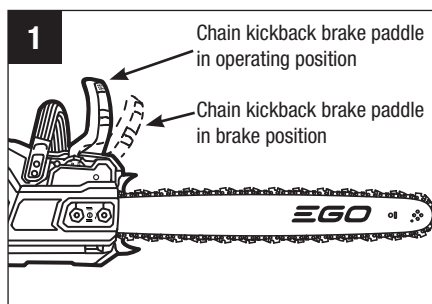
The chain saw comes equipped with a chain brake, which stops both the motor and the motion of the chain when kickback occurs. The chain brake can be activated by the forward motion of the chain-kickback brake paddle as the saw rotates backward during kickback; it can also be activated by the inertial forces generated during rapid pushback.

⚠ WARNING: Never modify or attempt to disable the chain brake.

Make sure that the chain brake is working properly before using the chain saw. The chain kickback brake paddle should move back and forth easily.

To test the operation of the chain brake, perform the following steps (Fig. 1):

- Place the chain saw on a flat bare surface and make sure no objects or obstructions that could come in contact with the bar and chain are in the immediate vicinity.
- Disengage the chain brake by pulling the chain-kickback brake paddle towards the front handle. The brake icon on the LCD screen (Fig. 8) goes off.
- Start the chain saw.
- Push the chain-kickback brake paddle towards the front of the saw. A properly functioning hand brake will stop the movement of the chain immediately. If the chain brake is not working properly, do not use the chain saw until it has been repaired by a qualified service technician.



⚠ WARNING: Confirm that the chain brake works properly before each use.

⚠ WARNING: If the chain brake is clogged with wood chips, the function of the chain brake may deteriorate. Always keep the device clean.

Low Kickback Saw Chain

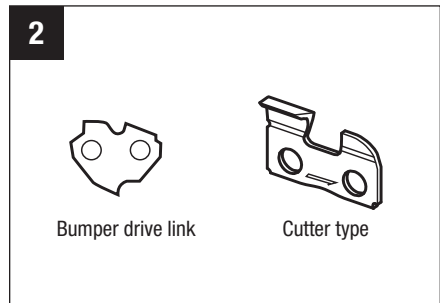
The ramp-shaped depth gauges ahead of each cutter can minimize the force of a kickback reaction by preventing the cutters from digging in too deeply at the kickback zone. Only use a replacement chain that is equivalent to the original chain or has been certified as a low kickback chain per ANSI B175.1. A low kickback tooth saw chain is a chain that has met the kickback performance requirements of ANSI B175.1 (American National Standard for Power Tools-Gasoline-Powered Chain Saws-Safety Requirements) when tested on the representative sample of chain saws below 3.8 c.i.d. specified in ANSI B175.1.

The bumper drive link (Fig. 2) also helps deliver low-kickback performance.

⚠ CAUTION: As saw chains are sharpened during their useful life, they lose some of the low kickback qualities and extra caution should be used.

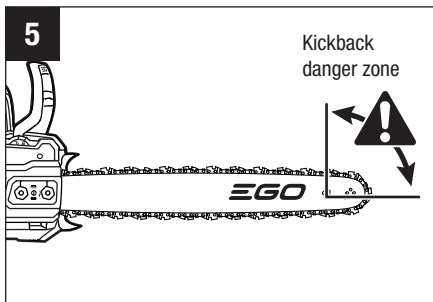
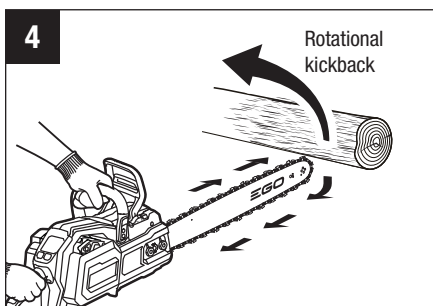
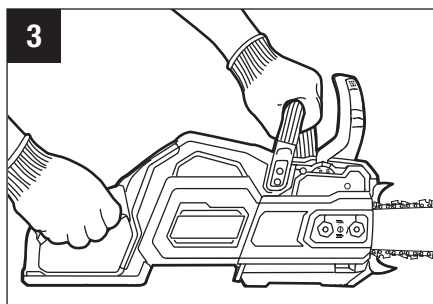
GUIDE BAR

This saw comes equipped with a guide bar that has a small radius nose. Small radius noses generally have less potential for kickback. When replacing the guide bar, be sure to order the bar listed in this manual.

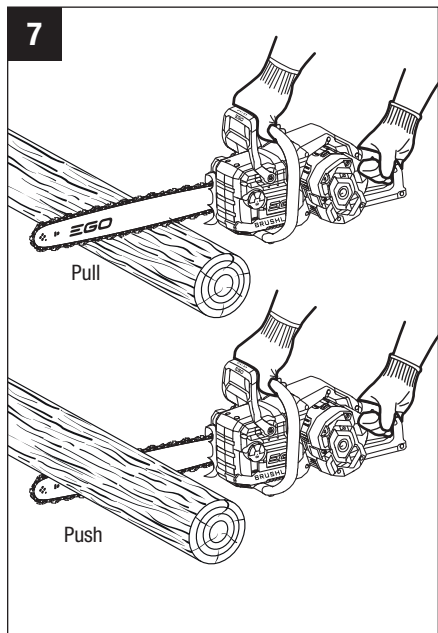
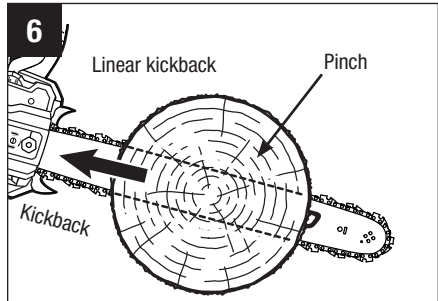


ADDITIONAL WARNINGS

- **With a basic understanding of kickback (Fig. 3–5), you can reduce or eliminate the element of surprise.** Sudden surprise contributes to accidents.
- **Make sure that the area in which you are cutting is free from obstructions.** Do not let the nose of the guide bar contact a log, branch, fence, or any other obstruction that could be hit while you are operating the saw.
- **Inspect the work piece for nails, wire, or other foreign objects prior to cutting.**
- **Plan the work, ensuring an obstacle-free work area and, in the case of felling, at least one escape path from the falling tree.**
- **When felling, keep bystanders at least two tree lengths away.**
- **Keep proper footing and balance at all times.**
- **A chain saw is intended for two handed use.** Serious injury to the operator, helpers, and/or bystanders can result from one-handed operation (Fig. 3).
- **Always cut with the unit running at full speed.** Fully squeeze the switch trigger and maintain cutting speed.
- **Push and Pull** – The reaction force is always opposite to the direction the chain is moving where wood contact is made. Thus, the operator must be ready to control the PULL when cutting on the bottom edge of the bar, and the PUSH when cutting along the top edge (Fig. 7).



- **Avoid unintentional contact with the stationary saw chain or guide bar rails.** These can be very sharp. Always wear gloves and long pants or chaps when handling the chain saw, saw chain, or guide bar.
- **Never operate a chain saw that is damaged or improperly adjusted or that is not completely and securely assembled.** Be sure that the saw chain stops moving when the trigger switch is released.
- **When bucking, secure the work piece prior to cutting. When felling or pruning, identify and secure hazardous branches.**
- **Aggressive or abusive cutting or misuse of the chain saw can cause premature bar, chain, and/or sprocket wear, as well as a broken chain or bar, leading to kickback, chain throw or the ejection of material.**
- **Never use the guide bar as a lever.** A bent guide bar can cause premature bar, chain, and/or sprocket wear, as well as a broken chain or bar, leading to kickback, chain throw or the ejection of material.
- **Cut only one workpiece at a time.**
- **Use only with the battery packs and chargers listed below:**



BATTERY PACK	CHARGER
BA1400, BA1400-FC, BA2800, BA2800-FC, BA4200, BA4200-FC, BA1400T, BA1400T-FC, BA2242T, BA2242T-FC, BA2800T, BA2800T-FC, BA3360T, BA3360T-FC, BA4200T, BA4200T-FC, BA4480T, BA4480T-FC, BA5600T, BA5600T-FC, BA6720T, BA6720T-FC	CH2100, CH2100-FC, CH3200, CH3200-FC, CH5500, CH5500-FC, CH2800D, CH2800D-FC, CH7000, CH7000-FC

- **Do not charge the battery pack in rain or in wet locations.**
- **If situations occur which are not covered in this manual, use care and good judgment. Contact EGO Customer Service for assistance.**

ADDITIONAL SAFETY INSTRUCCIONS

⚠ WARNING: Drilling, sawing, sanding or machining wood products can expose you to wood dust, a substance known to the State of California to cause cancer. Avoid inhaling wood dust or use a dust mask or other safeguards for personal protection. For more information go to www.P65Warnings.ca.gov/wood.

⚠ WARNING: Some dust created by power cutting contains chemicals known to the state of California to cause cancer, birth defects or other reproductive harm. Some examples of these chemicals are:

- Lead from lead-based paints.
- Crystalline silica from bricks, cement, and other masonry products.
- Arsenic and chromium from chemically-treated lumber.

Your risk from these exposures varies, depending upon how often you do this type of work. To reduce your exposure to these chemicals:

- Work in a well-ventilated area.
- Work with approved safety equipment, such as dust masks that are specially designed to filter out microscopic particles.
- Avoid prolonged contact with dust from power sanding, sawing, grinding, drilling, and other construction activities. Wear protective clothing and wash exposed areas with soap and water. Allowing dust to get into your mouth or eyes or to lie on the skin may promote absorption of harmful chemicals.

FCC STATEMENT

1. This device complies with Part 15 of the FCC Rules. Operation is subject to the following two conditions:
 - 1) This device may not cause harmful interference.
 - 2) This device must accept any interference received, including interference that may cause undesired operation.
2. Changes or modifications not expressly approved by the party responsible for compliance could void the user's authority to operate the equipment.

NOTICE: This equipment has been tested and found to comply with the limits for a Class B digital device, pursuant to Part 15 of the FCC Rules. These limits are designed to provide reasonable protection against harmful interference in a residential installation. This equipment generates, uses, and can radiate radio frequency energy and, if not installed and used in accordance with the instructions, may cause harmful interference to radio communications. However, there is no guarantee that interference will not occur in a particular installation. If this equipment does cause harmful interference to radio or television reception, which can be determined by turning the equipment off and on, the user is encouraged to try to correct the interference by one or more of the following measures: Reorient or relocate the receiving antenna. Increase the separation between the equipment and receiver. Connect the equipment into an outlet on a circuit different from that to which the receiver is connected. Consult the dealer or an experienced radio/TV technician for help.

SAVE THESE INSTRUCTIONS! Refer to them frequently and use them to instruct others who may use this product. If you lend this product to someone else, also lend these instructions to them to prevent misuse of the product and possibly injury.



INTRODUCTION

Congratulations on your selection of the 56V Lithium-ion EGO CHAIN SAW. It has been designed, engineered and manufactured to give you the best possible dependability and performance.

Should you experience any problem you cannot easily remedy, please contact EGO customer service center 1-855-EGO-5656.

This manual contains important information on to the safe assembly, operation, and maintenance of your product. Read it carefully before using the product. Keep this manual handy so you can refer to it at any time.

SERIAL NUMBER _____ DATE OF PURCHASE _____

YOU SHOULD RECORD BOTH SERIAL NUMBER AND DATE OF PURCHASE AND KEEP IN A SAFE PLACE FOR FUTURE REFERENCE

SPECIFICATIONS

Rated Voltage	56V
Guide Bar Length	20" (500mm)
Chain Pitch	3/8"
Chain Gauge	0.050" (1.27mm)
Number of Drive Links	69
Max. Chain Speed	25m/s
Chain Oil Tank Capacity	8.5 oz (250ml)
Recommended Operating Temperature	5°F–104°F (-15°C–40°C)
Recommended Storage Temperature	-4°F–158°F (-20°C–70°C)
Weight (without battery pack, saw chain, guide bar, side cover, oil and chain sheath)	8.6 lb. (3.9kg)
Ingress Protection Rating	IPX4* (Protection from splashing water)

* **NOTE:** IPX4 rating is based on the machine and battery being used together as a system.

PACKING LIST

PART NAME	QUANTITY
Chain Saw	1
Chain Sheath	1
Operator's Manual	1

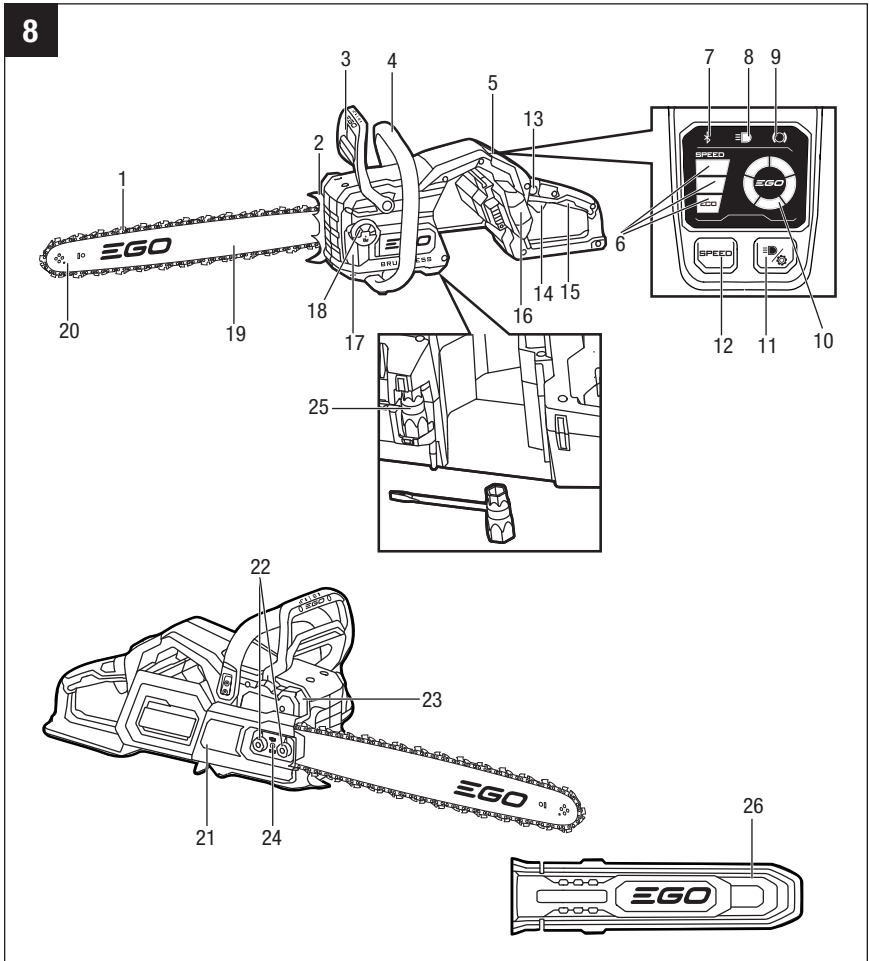
ACCESSORIES

WARNING: Use only accessories listed below. Use of accessories that do not meet the original equipment specifications may lead to improper performance and compromised safety.

PART NAME	MODEL NUMBER
Guide Bar	AG2005
Saw Chain	AC2005

DESCRIPTION

KNOW YOUR CHAIN SAW (Fig. 8)



1. Saw Chain
2. Bucking Spicks
3. Chain Kickback Brake Paddle
4. Front Handle
5. LCD Screen
6. Speed Bars
7. Bluetooth Icon
8. Headlight Icon
9. Brake Icon
10. Fuel-gauge Circle
11. Headlight/Bluetooth Button
12. Chain Speed Button
13. Lock-off Button
14. Trigger Switch
15. Rear Handle
16. Battery Release Button
17. Oil-inspection Window
18. Oil-tank Cap
19. Guide Bar
20. Lubricating Hole
21. Side Cover
22. Side Cover Nuts
23. LED Headlight
24. Chain-tensioning Bolt
25. Double-end Socket Wrench
26. Chain Sheath

⚠ WARNING: The safe use of this product requires an understanding of the information on the product and in this instruction manual, as well as knowledge of the project you are attempting. Before use of this product, familiarize yourself with all operating features and safety rules.

Chain Kickback Brake Paddle

Serves as the lever for chain brake activation. It also provides protection against projecting branches and helps prevent the left hand from touching the saw chain if it slips off the front handle.

Trigger Switch

Turns the chain saw on and off and adjusts the chain speed.

Lock-off Button

Helps to prevent accidental or unauthorized activating of the trigger switch. It must be depressed before the trigger switch can be activated.

Oil-tank Cap

Seals the oil tank.

Oil-inspection Window

Provides a view of the oil level in the oil tank.

Saw Chain

A loop of chain with cutting teeth that cuts the wood when it is driven by the power head and supported by the guide bar.

Chain Sheath

The chain sheath keeps the operator from coming in contact with the sharp chain teeth when the tool is not in use. It also helps keep the chain teeth from being nicked or damaged when the chain saw is being transported or stored.

Guide Bar

Supports and guides the saw chain.

Front Handle

The support handle for the left hand at the front of the chain saw.

Rear Handle

The support handle for the right hand, located at the rear of the chain saw. **Always hold the chain saw with your right hand on the rear handle and your left hand on the front handle.**

Side Cover

Covers the drive sprocket and secures the guide bar.

Battery-release Button

Press to release the battery pack from the tool.

LED Headlight

The **LED headlight is located in the front of the chain saw.** This feature provides illumination for increased visibility with 2 available brightness levels.

Bucking Spikes

The pointed metal teeth for use when felling or bucking to pivot the chain saw and maintain position, preventing lumber sliding while sawing. It can improve the cutting efficiency.

Chain Speed Button

Switches between high, middle, and low chain speed mode for different tasks at hand.

Headlight/Bluetooth Button

Changes the brightness of the headlight and supports Bluetooth connection.

LCD Screen

Displays the charge level of the battery pack and Bluetooth connection, headlight brightness, chain speed and brake status of the chain saw.

ASSEMBLY

⚠ WARNING: If any parts are damaged or missing, do not operate this product until the parts are replaced. Use of this product with damaged or missing parts could result in serious personal injury.

⚠ WARNING: Do not attempt to modify this product or create accessories not recommended for use with this product. Any such alteration or modification is misuse and could result in a hazardous condition leading to possibly serious personal injury.

⚠ WARNING: To prevent accidental starting that could cause serious personal injury, always remove the battery pack from the product when assembling parts, making adjustments, cleaning, or when not in use.

UNPACKING

- This product has been shipped completely assembled.
- Carefully remove the product and any accessories from the box. Make sure that all items listed in the packing list are included.
- Inspect the product carefully to make sure that no breakage or damage occurred during shipping.
- Do not discard the packing material until you have carefully inspected and satisfactorily operated the product.
- If any parts are damaged or missing, please return the product to the place of purchase.

OPERATION

⚠ WARNING: Do not allow familiarity with this product to make you careless. Remember that a careless fraction of a second is sufficient to inflict serious injury.

⚠ WARNING: Always wear safety goggles or safety glasses with side shield marked to comply with ANSI Z87.1. Failure to do so could result in objects being thrown into your eyes and other possible serious injuries.

⚠ WARNING: Do not use any attachments or accessories not recommended by the manufacturer of this product. The use of attachments or accessories not recommended can result in serious personal injury.

Before each use, inspect the entire product for damaged, missing, or loose parts such as screws, nuts, bolts, caps, etc. Tighten securely all fasteners and caps and do not operate this product until all missing or damaged parts are replaced.

APPLICATIONS

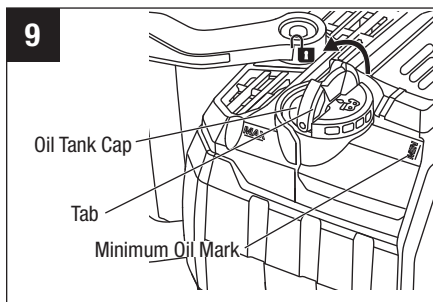
You may use this product for basic felling, limbing, pruning, and woodcutting of lumber and trees.

FILLING OIL TANK WITH BAR AND CHAIN LUBRICANT

⚠ WARNING: To prevent accidental starting that could cause serious personal injury, always remove the battery pack from the chain saw before filling the tank with oil.

⚠ WARNING: Do not smoke or bring any fire or flame near the oil or the chain saw. Oil may spill and cause a fire.

NOTICE: The chain saw is not filled with oil at the time of purchase. It is essential to fill the tank with chain oil before use. Operating the chain saw without chain oil or when the oil level is below the minimum mark will result in damage to the chain saw. Chain life and cutting capacity depend on optimum lubrication. The chain is automatically lubricated with chain oil during operation, if there is sufficient oil in the oil tank.



1. Remove the battery pack from the chain saw.
2. Clean the oil-tank cap and the area around it to ensure that no dirt falls into the oil tank.
3. Lay the chain saw on a firm, flat surface, so that the oil-tank cap is facing upwards. Flip the tab of the oil-tank cap and rotate the oil-tank cap counterclockwise to remove it (Fig. 9).
4. Carefully pour the bar and chain oil into the tank until it fills to the tank. Be careful not to let the oil spill from the opening. Fill to the bottom of the fill neck. Wipe off any excess oil.
5. Replace the cap, place the saw upright, and view the level through the oil-inspection window. Oil should fill the window.

NOTICE:

- Use EGO AOL3200 or AOL1000 bar and chain oil for best results. It is specifically designed to provide low friction and faster cuts.
- Never use oil or other lubricants not specifically designed for use on the bar and chain. This can lead to a clogged oil system, which may cause premature wear of the bar and chain.
- Check the oil level frequently and fill when the oil level falls below the minimum mark. Never operate the chain saw if the oil is not visible.
- Do not use dirty, used or otherwise contaminated oil. Damage may occur to the bar or chain.
- It is normal for oil to seep from the saw when it is not in use. To prevent seepage, empty the oil tank after each use, and then run the saw for one minute. When storing the tool for a long period of time, be sure the chain is lightly lubricated; this will prevent rust on the chain and bar sprocket.
- To preserve natural resources, please recycle or dispose of oil properly. Consult your local waste authority for information regarding available recycling and disposal options.

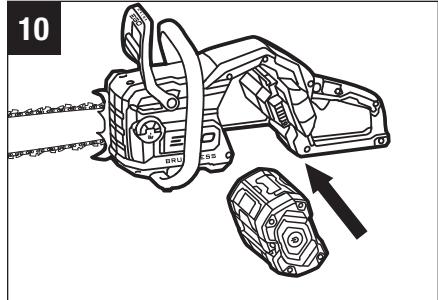
INSTALLING/REMOVING THE BATTERY PACK

NOTICE: The fuel-gauge circle on the LCD screen indicates the battery-charge level (Fig. 8). Fully charge your battery pack before first use.

To install battery pack (Fig. 10)

1. Align the ribs of the battery pack with the mounting slots in the chain saw's battery port.
2. Slide the battery pack into the machine until it snaps into position.

⚠ WARNING: Make sure that the latch on the chain saw snaps in place and the battery pack is secured to the chain saw before beginning the operation. Failure to securely seat the battery pack could cause the battery pack to fall out, resulting in serious personal injury.

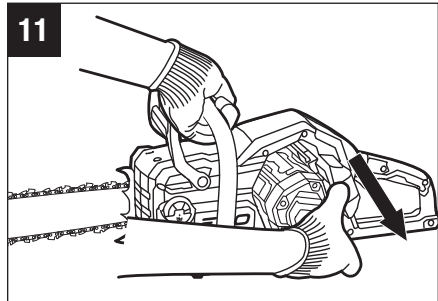


To remove battery pack (Fig. 11)

⚠ WARNING: Always be aware of the location of your feet and children or pets around you when pressing the battery release button. Serious injury could result if the battery pack falls. NEVER remove the battery pack at a high location.

1. Hold the battery pack in the palm of your hand.
2. Press the battery release button with your thumb and the battery pack will disengage from the latch.
3. Grasp the battery pack and remove it from the chain saw.

⚠ WARNING: To avoid serious personal injury, always remove the battery pack and keep hands clear of the lock-off button and trigger switch when carrying or transporting the chain saw.



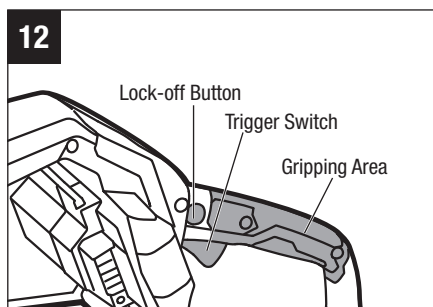
STARTING/STOPPING THE CHAIN SAW

Before Starting the Chain Saw:

1. Remove the battery pack.
2. Make sure that the chain is properly mounted and the chain is correctly tensioned according to the chapter “**ADJUSTING THE CHAIN TENSION**” later in this manual.
3. Check the side cover to ensure that it is against the guide bar and saw chain without any looseness and damage.
4. Check the oil level and fill the tank as needed. Make sure the chain is well lubricated.
5. Check the sharpness of the cutting teeth of the saw chain.
6. Make sure that the chain-kickback brake paddle can move back and forth easily between the brake position and the operating position.
7. Hold the chain saw with both hands: with the right hand on the rear handle and the left hand on the front handle.
8. Make sure that you have a secure and balanced footing. Watch out for obstacles such as tree stumps, roots, and ditches, which could cause you to trip or stumble.
9. Stand upright and hold the chain saw in a relaxed position and make sure the saw chain is not touching the ground or any other objects.

To Start the Chain Saw (Fig. 12)

1. Install the battery pack.
2. Make sure that the objects or obstructions that could come in contact with the bar and chain are not in the immediate vicinity.
3. Pull the chain-kickback brake paddle towards the front handle to the operating position (see Fig. 1).
4. Firmly grasp the front handle with the **left** hand and the rear handle with the **right** hand.



⚠ WARNING: To avoid injury, always use the chain saw with the right hand grasping the gripping area of the rear handle.

5. Press and hold the lock-off button with the thumb of your right hand, then squeeze the trigger switch with the fingers of your right hand to start the saw.
6. Release the lock-off button and continue to squeeze the trigger switch for continued operation. The further the trigger switch is depressed, the greater the chain speed.

⚠ WARNING: Do not attempt to start the chain saw when the saw chain is in a cut or in contact with any surface.

To Stop the Chain Saw

1. Move the chain saw away from cutting area, and then release the trigger switch to stop the chain saw.
2. Push the chain-kickback brake paddle forward to the brake position to engage the chain brake (see Fig. 1).

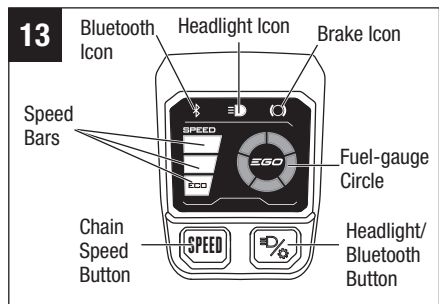
⚠ WARNING: Always remove the battery pack from the chain saw during work breaks and after finishing work.

CHANGING SPEED MODE (Fig. 13)

This machine features three speed modes. Each speed modes limits the maximum speed of the chain saw.

The speed mode will change with every press of the chain speed mode button.

The speed bars on the LCD screen will display the active speed mode: one bar for low speed, two bars for medium speed, and three bars for high speed. The low speed mode (ECO) provides better control of the machine and longer operating time per charge.



NOTE: When using EGO battery pack rated 2.5Ah or less, only the ECO mode is available. And use of EGO battery pack rated less than 6.0Ah will not allow you to achieve high speed. For best performance, we strongly recommend use of EGO battery packs that are 6.0Ah (e.g., BA3360T/BA3360T-FC) or more.

NOTE: The machine's speed memory function will remember the last speed setting and activate it the next time the machine is turned on.

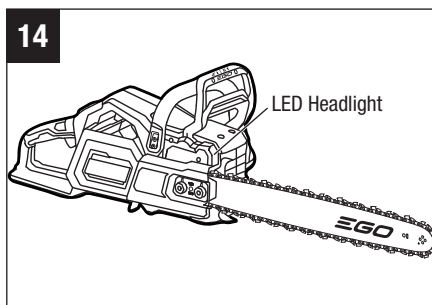
NOTE: The LCD screen lights up when trigger switch is pulled or when the speed button or headlight/Bluetooth button is pressed. It will automatically turn off after approximately 30 seconds of chain saw inactivity.

LED HEADLIGHT (Fig. 14)

The LED headlight is located in the front of the chain saw housing. The headlight provides illumination for increased visibility and features 2 brightness levels.

To turn on the headlight, press the headlight/Bluetooth button one time. The headlight will turn on in low brightness level and the LED icon  will appear on the LCD screen. Press the headlight/Bluetooth button again to switch to high brightness level and the LED icon  will appear on the LCD screen (Fig. 13).

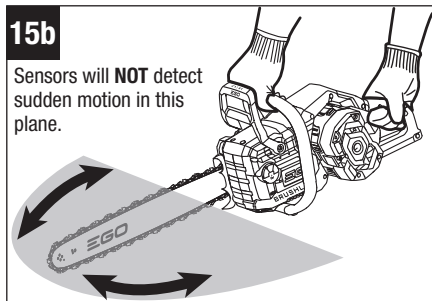
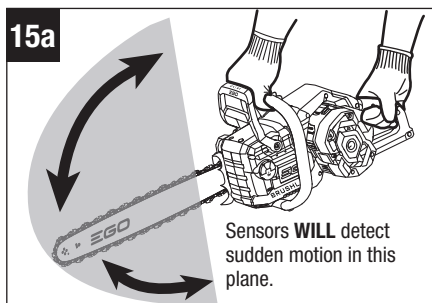
To turn off the headlight, press the headlight/Bluetooth button the third time and the LED icon will disappear from the LCD screen.




OMNI-DIRECTIONAL CHAIN BRAKE SYSTEM (Fig. 15a and Fig. 15b)

⚠ WARNING: The omni-directional chain brake system is not intended to act as a substitute to the standard/traditional chain brake. The user should never rely on this feature during operation of the chain saw to protect against kickback. Always follow safety instructions related to kickback mitigation found in the warning section of this manual.

The chain saw comes equipped with omni-directional chain brake system that utilizes onboard sensors to monitor the movement of the chain saw and will engage the brake if a sudden motion of the saw in the plane of the bar is detected.



When the omni-directional chain brake system is activated and stops the saw, the brake icon  will be flashing on the LCD screen (Fig. 13). Release the trigger switch, remove the saw chain and guide bar from the wood, then restart the chain saw.

NOTE: The sensors will only detect sudden motion of the saw in the plane of the guide bar. The sensors will not detect any sudden motion of the saw sideways (i.e., perpendicular to the plane of the guide bar).

EGO CONNECT APP

EGO connect app provides extended functions for your EGO product.

- Extended product information.
- Information about and help with product parts and servicing.

Bluetooth® wireless technology

Products with built-in Bluetooth® wireless technology can connect to mobile devices and enables additional functions from EGO connect App.

The Bluetooth® symbol lights up when the machine is connected to your mobile device.



To start to use EGO Connect app

1. Download the EGO Connect app for free from Apple App Store or Google Play.
2. Log in or create an account in the EGO connect app.
3. Follow the instruction steps in the EGO connect app to connect and register the product.

PREPARATION FOR CUTTING

Refer to section "**SAFETY INSTRUCTIONS**" earlier in this manual for appropriate safety equipment.

Work Area Precautions

- Cut only wood or materials made from wood; do not cut sheet metal, plastics, masonry, or non-wood building materials.
- Never allow children to operate the chain saw.
- Allow no person who has not read this Operator's Manual or received adequate instructions for the safe and proper use of this chain saw to use this chain saw.

- When felling a tree, keep everyone – helpers, bystanders, children, and animals – a safe distance away from the cutting area. During felling operations, the safe distance should be a least twice the height of the largest trees in the felling area. During bucking operations, keep a minimum distance of 15 feet (4.5 m) between workers. Trees should not be felled in a manner that would endanger any person, strike a utility line, or cause any property damage. If a tree does make contact with a utility line, stay clear of the tree and the line and notify the utility company immediately.
- Always cut with both feet on solid ground to prevent being pulled off balance.
- Do not cut above chest height, as a saw held higher is difficult to control against kickback forces.
- Do not fell trees near electrical wires or buildings.
- Cut only when visibility and light are adequate for you to see clearly.

Proper Grip on Handles

Wear non-slip gloves for maximum grip and protection.

With the saw on a firm, flat surface, hold the saw firmly with both hands.

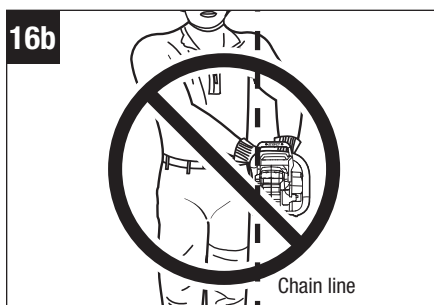
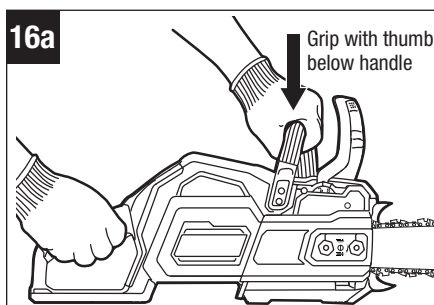
Always grasp the front handle with the left hand and the rear handle with the right hand.

The fingers should encircle the handle, with the thumb wrapped under the front handle (Fig. 16a).

⚠ WARNING: Never use a left-handed (cross-handed) grip, or any stance which would place your body or arm across the chain line.

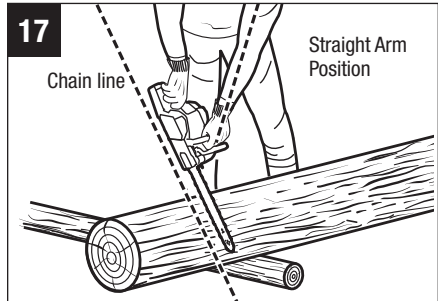
⚠ WARNING: Do not operate the trigger switch with your left hand and hold the front handle with your right hand.

Never allow any part of your body to be in the chain line while operating a chain saw (Fig. 16b).



Proper Cutting Stance (Fig. 17)

- Both feet should be on solid ground, with weight evenly spread between them.
- The left arm should be straight, with the elbow locked. This helps to withstand the forces generated by kickback.
- Your body should always be to the left of the chain line.



CUTTING

Basic Cutting

⚠ WARNING: Always be sure of your footing and hold the chain saw firmly with both hands while the motor is running.

Practice cutting a few small logs using the following technique to get the “feel” of using your saw before you begin a major sawing operation.

1. Take the proper stance in front of the wood with the saw off.
2. Press the chain speed button to select a desired chain speed. Press the lock-off button and squeeze the trigger switch to start the chain saw. Let the chain reach the full speed before beginning the cut.
3. Begin cutting by lightly pressing the guide bar against the wood. Use only light pressure, letting the saw do the work.
4. Maintain a steady speed throughout the cut, releasing pressure just before the end of the cut.
5. Release the trigger switch as soon as the cut is completed, allowing the chain to stop.

⚠ WARNING: When the saw chain is stopped due to pinching during cutting, release the trigger switch; remove the saw chain and guide bar from the wood, then restart the chain saw.

⚠ WARNING: Do not pull the saw chain with your hand when it is bound by the sawdust. Serious injury could result if the chain saw starts accidentally. Press the saw chain against the wood, move the chain saw back and forth to discharge the debris. Always remove the battery pack before cleaning. Wear heavy protective gloves when handling the saw chain.

⚠ WARNING: Never start the chain saw when it is in contact with the wood. Always allow the chain saw reach full speed before applying the saw to the wood.

FELLING A TREE

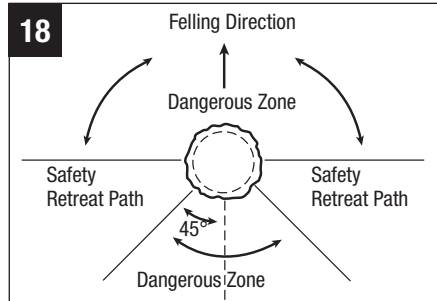
Hazardous Conditions

⚠ WARNING: When felling a tree, it is important that you heed the following warnings to prevent possibly serious injury.

- Do not fell trees during periods of high wind or heavy precipitation. Wait until the hazardous weather has ended.
- Do not fell trees that lean at extreme angles or large trees with rotten limbs, loose bark, or hollow trunks. Instead, have these trees pushed or dragged down with heavy equipment and then cut them up.
- Do not fell trees near electrical wires or buildings.
- Check the tree for damaged or dead branches that could fall and hit you during felling.
- Periodically glance at the top of the tree during the back cut to assure the tree is going to fall in the desired direction.
- If the tree starts to fall in the wrong direction, or if the saw gets caught or hung up during the fall, leave the saw and save yourself!

Preparation for Tree Felling

- When bucking and felling operations are being performed by two or more persons at the same time, the felling operation should be separated from the bucking operation by a distance of at least twice the height of the tree being felled. Trees should not be felled in a manner that would endanger any person, strike any utility line or cause any property damage. If a tree does make contact with a utility line, stay clear of the tree and the line and notify the utility company immediately.
- The chain saw operator should stand on the uphill side of the terrain, as the tree is likely to roll or slide downhill after it is felled.
- Before any cuts are started, pick your escape route (or routes, in case the intended route is blocked). Clear the immediate area around the tree and make sure that there are no obstructions in your planned paths of retreat. Clear a path of safe retreat approximately 135° from the planned line of fall. The retreat path should extend back and diagonally to the rear of the expected line of fall. See Fig. 18.
- Before felling is started, consider the natural lean of the tree, the location of larger branches and the wind direction to judge which way the tree will fall.
- Remove dirt, stones, loose bark, nails, staples, and wire from the tree where felling cuts are to be made.

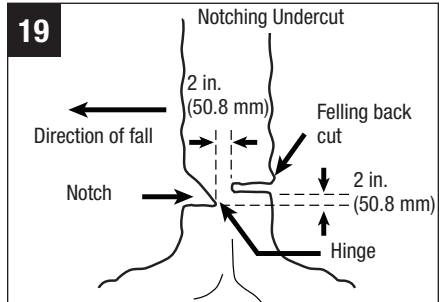


Notching undercut

Make the notch $1/3$ the diameter of the tree, perpendicular to the direction of fall, as illustrated in Fig. 19. Make the lower horizontal notching cut first. This will help to avoid pinching of either the saw chain or the guide bar when the second notch is being made.

Felling Back Cut

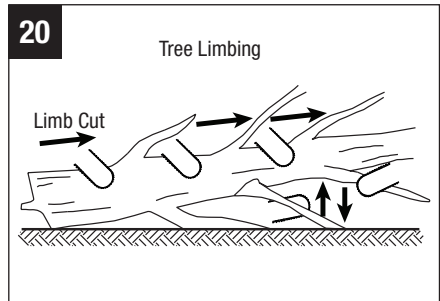
1. Make the felling back cut at least 2 inches (50.8 mm) higher than the horizontal notching cut (see Fig. 19). Keep the felling back cut parallel to the horizontal notching cut. Make the felling back cut so that enough wood is left to act as a hinge. The hinge wood keeps the tree from twisting and falling in the wrong direction. Do not cut through the hinge.
2. As the felling cut gets close to the hinge, the tree should begin to fall. If there is any chance that the tree may not fall in the desired direction or it may rock back and bind the saw chain, stop cutting before the felling back cut is complete and use wedges of wood, plastic or aluminum to open the cut and drop the tree along the desired line of fall.
3. When the tree begins to fall, remove the chain saw from the cut, stop the motor, put the chain saw down, then use the retreat path planned. Be alert for overhead limbs falling and watch your footing.



LIMBING

Limbing is removing branches from a fallen tree. When limbing, leave larger limbs to support the log off the ground. Remove the small limbs in one cut as illustrated in Fig. 20. Branches under tension should be cut from the bottom up to avoid binding the chain saw.

⚠ WARNING: There is an extreme danger of kickback during the limbing operation. Be extremely cautious and avoid contacting the log or other limbs with the tip of the guide bar.



BUCKING A LOG (Fig. 21)

Bucking is cutting a log into lengths. It is important to make sure your footing is firm and your weight is evenly distributed on both feet. When possible, the log should be raised and supported by the use of limbs, logs, or chocks. Follow the simple directions for easy cutting.

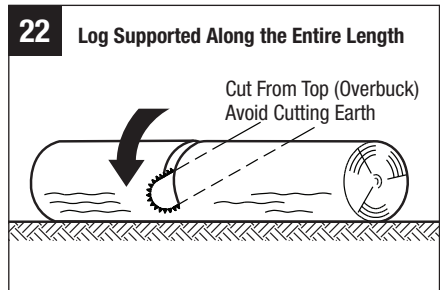
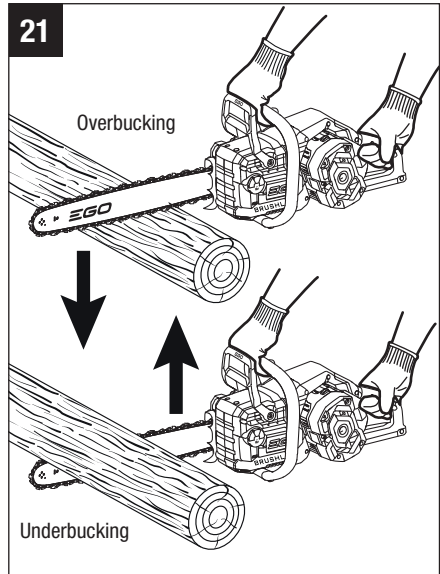
⚠ WARNING: Keep a clear-cutting area. Make sure that no objects can contact the guide bar nose and chain during cutting; this can cause kickback.

Overbucking

Begin on the top side of the log with the bottom of the saw against the log; exert light pressure downward. Note that the saw will tend to pull away from you.

Underbucking

Begin on the underside of the log with the top of the saw against the log; exert light pressure upward. During underbucking, the saw will tend to push back at you. Be prepared for this reaction and hold the saw firmly to maintain control.

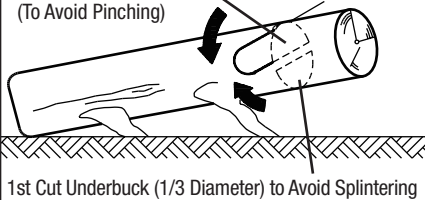


- When the log is supported along its entire length, it should be cut from the top (overbucking) (Fig. 22).
- When the log is supported on only one end, cut 1/3 the diameter from the underside (underbucking). Then make the finishing cut by overbucking to meet the first cut (Fig. 23).
- When the log is supported on both ends, cut 1/3 of that diameter from the top overbuck. Then make the finished cut by underbucking the lower 2/3 to meet the first cut (Fig. 24).

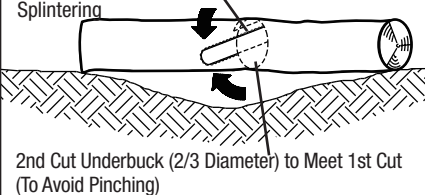
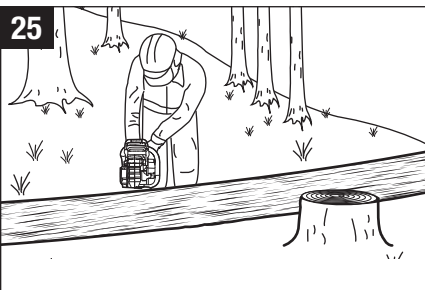
- When bucking on a slope, always stand on the uphill side of the log (Fig. 25).
- To maintain complete control when cutting through, release the cutting pressure near the end of the cut without relaxing the grip on the chain saw handles. Don't allow the chain to contact the ground. After completing the cut, wait for the saw chain to stop before you move the chain saw. Always stop the motor before moving from tree to tree.

23**Log Supported One End**

2nd Cut Overbuck (2/3 Diameter) to Meet 1st Cut (To Avoid Pinching)

**24****Log Supported Both Ends**

1st Cut Overbuck (1/3 Diameter) to Avoid Splintering

**25**

MAINTENANCE

⚠ WARNING: To avoid serious personal injury, remove the battery pack from the chain saw before servicing, cleaning, changing add-on attachments, making any maintenance or when the product is not in use. A battery-operated chain saw with the battery pack inserted is always on and can start accidentally.

⚠ WARNING: When servicing, only use identical replacement parts. Use of any other parts may create a hazard or cause product damage.

⚠ WARNING: Always wear heavy gloves when handling the bar and chain. Be careful of the saw chain and protect your hands from being injured by the saw chain.

⚠ WARNING: Always wear eye protection with side shields marked to comply with ANSI Z87.1. Failure to do so could result in objects being thrown into your eyes resulting in possible serious injury.

GENERAL MAINTENANCE

Avoid using solvents when cleaning plastic parts. Most plastics are susceptible to damage from various types of commercial solvents and may be damaged by their use. Use clean cloths to remove dirt, dust, oil, grease, etc.

⚠ WARNING: Do not at any time let brake fluids, gasoline, petroleum-based products, penetrating oils, etc., come in contact with plastic parts. Chemicals can damage, weaken, or destroy plastic, which may result in serious personal injury.

⚠ WARNING: When cleaning the chain saw, DO NOT immerse it in water or other liquids.

CLEANING

- After each use, clean debris from the chain and guide bar with a soft brush. Wipe the chain saw surface with a clean cloth moistened with a mild soap solution.
- Remove the side cover, and then use a soft brush to remove debris from the guide bar, saw chain, sprocket and side cover.
- Always clean out wood chips, saw dust, and dirt from the guide bar groove when replacing the saw chain.

All chain saw service, other than the items listed in these maintenance instructions, should be performed by competent chain saw service personnel.

REPLACING THE BAR AND CHAIN

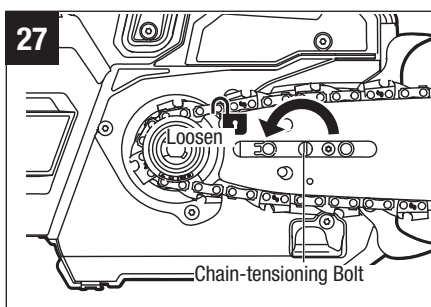
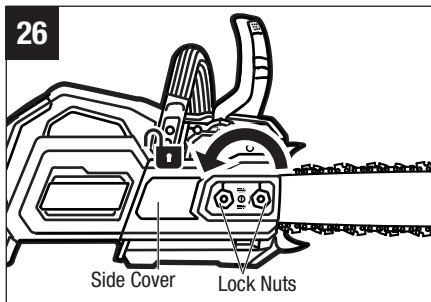
⚠ WARNING: Always wear gloves when handling the bar and chain; these components are sharp and may contain burrs.

⚠ WARNING: Never touch or adjust the chain while the motor is running. The saw chain is very sharp; always wear protective gloves when performing maintenance to the chain.

NOTICE: When replacing the guide bar and chain, always use the specified bar and chain combination listed in the “**Recommended Bar and Chain for This Chain Saw**” section.

Disassembling the Worn Bar and Chain

1. Remove the battery and allow the saw to cool. Make sure the oil-tank cap is tight to prevent oil leakage.
2. Position the chain saw on its side on a firm, flat surface, so that the side cover is facing upwards (Fig. 26).
3. Wear gloves. Remove the side cover by turning the two lock nuts counterclockwise with the double-end socket wrench (Fig. 8) provided. Clean the side cover with a dry cloth.
4. Turn the chain-tensioning bolt counterclockwise with the flat end of the double-end socket wrench provided to loosen the chain (Fig. 27).
5. Remove the worn bar and chain from the mounting surface.



NOTICE: This is a good time to inspect the drive sprocket for excessive wear or damage.

Assembling the New Bar and Chain

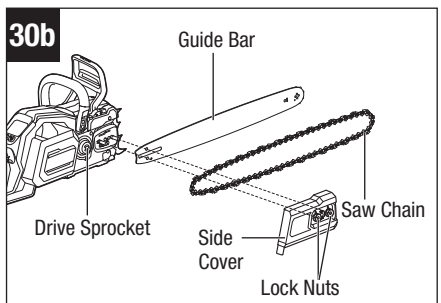
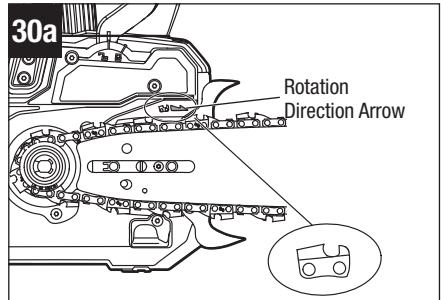
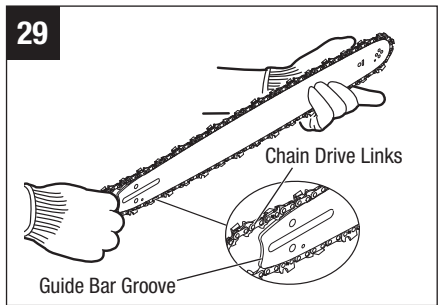
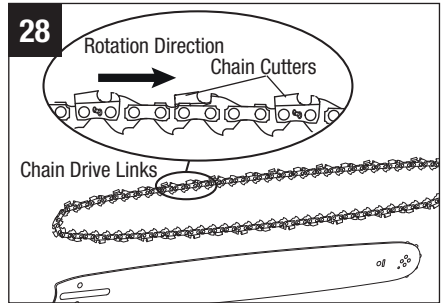
1. Lay the new saw chain in a loop on a flat surface and straighten any kinks (Fig. 28).
2. Place the chain drive links into the guide bar groove. Position the chain so there is a loop at the back of the guide bar (Fig. 29).
3. Hold the chain in position on the guide bar and place the loop around the drive sprocket of the saw.

NOTICE: When looping the saw chain onto the guide bar, make sure that, after mounting the guide bar onto the saw, the direction of the saw chain cutter match the cutter pattern and rotation direction arrow on the housing (Fig. 30a). If they face in opposite directions, reassemble the saw chain onto the guide bar with the cutters facing the same direction.

4. Replace the side cover onto the chain saw housing and fully tighten the two lock nuts.

NOTE: Tension the chain by following the next chapter “**ADJUSTING THE CHAIN TENSION**” instructions.

5. Rotate the chain by hand to check whether the chain is properly assembled without binding. Otherwise, reassemble the chain and bar.



⚠ CAUTION: The saw chain must be properly tensioned before using.

ADJUSTING THE CHAIN TENSION

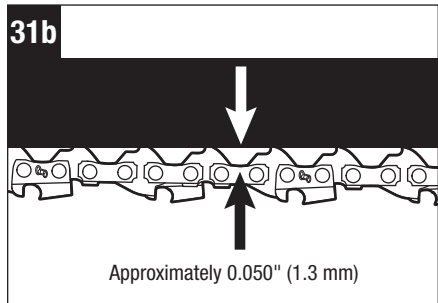
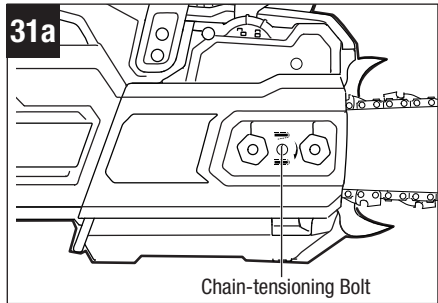
1. Stop the motor and remove the battery pack before adjusting the chain tension.
2. Turn the chain-tensioning bolt clockwise or counterclockwise to adjust chain tension according to the marks on the side cover around the chain-tensioning bolt (Fig. 31a) until the chain seats snugly against the guide bar with the drive links in the guide bar groove.

- A cold chain is correctly tensioned when there is no slack on the underside of the guide bar and the chain is snug, but it can be turned by hand without binding. The chain must be re-tensioned whenever the flats on the drive links do not sit in the bar groove.

- During normal saw operation, the temperature of the chain will increase. The drive links of a correctly tensioned warm chain will hang approximately 0.050 in. (1.3 mm) out of the bar groove (Fig. 31b).

NOTICE: New chains tend to stretch. Check chain tension frequently and adjust tension as required.

NOTICE: A chain tensioned while it is warm may be too tight upon cooling. Check the cold tension before next use



CHAIN MAINTENANCE

⚠ WARNING: Always wear gloves when handling the saw chain. The chain is sharp and may contain burrs.

Only use low-kickback chains on this saw. This fast-cutting chain will provide kickback reduction when properly maintained.

A properly sharpened saw chain cuts through wood effortlessly, even with very little pressure. Never use a dull or damaged saw chain. A dull saw chain cutter leads to increased physical strain, increased vibration load, unsatisfactory cutting results and increased wear.

For smooth and fast cutting, the saw chain needs to be maintained properly. The chain requires sharpening when the wood chips are small and powdery, the chain must be forced through the wood during cutting, or the chain cuts to one side. During maintenance of your saw chain, consider the following:

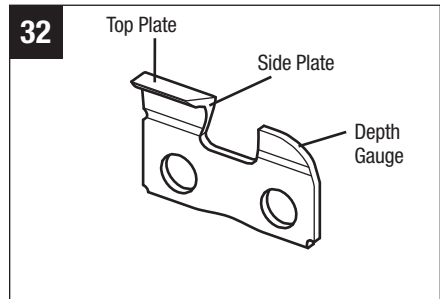
- Improper filing angle of the side plate can increase the risk of a severe kickback.
- Raker (depth gauge) clearance. Too low increases the potential for kickback. Not low enough decreases cutting ability.
- If cutter teeth have hit hard objects, such as nails and stones, or have been abraded by mud or sand on the wood, have the chain sharpened by a qualified service technician.

NOTICE: Inspect the drive sprocket for wear or damage when replacing the chain. If signs of wear or damage are present in the areas indicated, have the drive sprocket replaced by qualified service technician.

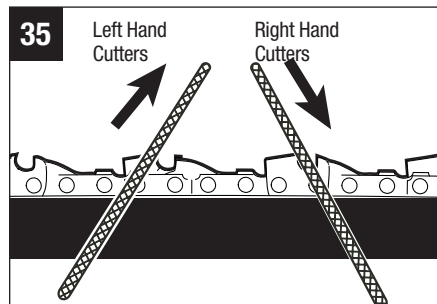
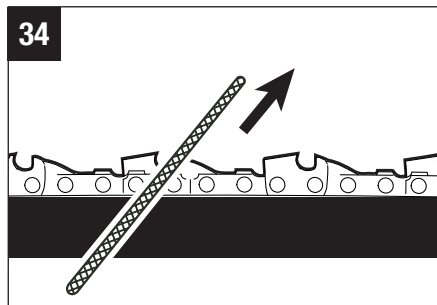
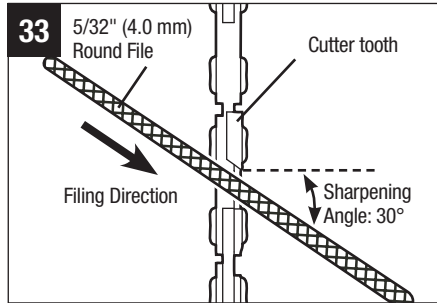
How to Sharpen the Cutters

Be sure to file all cutters (Fig. 32) to the specified angles and to the same length, as fast cutting can be obtained only when all cutters are uniform.

1. Remove the battery pack. Wear gloves for protection.
2. Properly tension the chain prior to sharpening. Refer to the chapter “**ADJUSTING THE CHAIN TENSION**” earlier in this manual.



3. Use a 5/32" (4.0 mm) diameter round file and holder (available separately). Do all of your filing at the middle position of the guide bar.
4. Keep the file level with the top plate of the tooth. Do not let the file dip or rock.
5. Keep a correct sharpening angle of 30° between the file and the saw chain (see Fig. 33 & 34). Always use a file holder (available separately) when sharpening saw chains by hand. File holders have markings for the sharpening angle.
6. Using light but firm pressure, perform a stroke towards the front corner of the tooth. Lift the file away from the steel on each return stroke.
7. Make a few firm strokes on every tooth. File all left-hand cutters in one direction. Then move to the other side and file the right-hand cutters in the opposite direction. Occasionally remove filings from the file with a wire brush (Fig. 35).



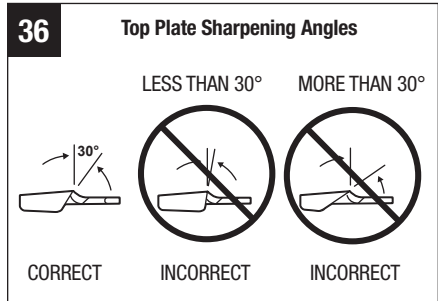
⚠ WARNING: A dull or improperly sharpened chain can cause excessive motor speed during cutting, which may result in severe motor damage.

⚠ WARNING: Improper chain sharpening increases the potential of kickback.

⚠ WARNING: Failure to replace or repair a damaged chain can cause serious injury.

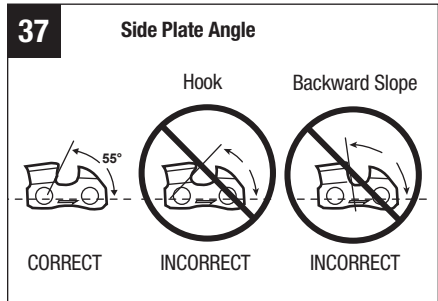
Top Plate Sharpening Angles (Fig. 36)

- CORRECT 30°** - This optimal angle can be obtained only when the specified files and proper setting are used. File holders are marked with guide marks to align the file properly to produce the correct top plate angle.
- LESS THAN 30°** - The tooth is too dull for cutting.
- MORE THAN 30°** - The edge of the cutting tooth is feathered and dulls quickly.



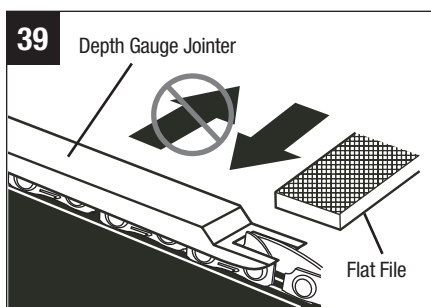
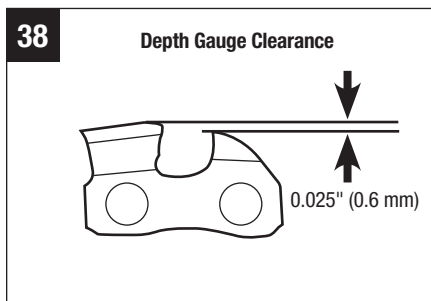
Side Plate Angle (Fig. 37)

- CORRECT 55°** - The optimal angle can be produced automatically if the correct diameter file is used in the file holder.
- HOO K** - “Grabs” and dulls quickly. Increases potential of KICKBACK. Results from using a file with a diameter that is too small, or a file held too low.
- BACKWARD SLOPE** - Needs too much feed pressure, causes excessive wear to bar and chain. Results from using a file with a diameter too large, or a file held too high.



Depth-Gauge Clearance

1. The depth gauge should be maintained at a clearance of 0.025" (0.6 mm), as shown in Fig. 38. Use a depth gauge tool (available separately) to check the depth gauge clearances.
2. Check the depth-gauge clearance every time the chain is filed. Use a flat file and a depth-gauge jointer (both available separately) to lower all gauges uniformly (Fig. 39). Depth-gauge jointers are available from 0.020" to 0.035" (0.5 mm to 0.9 mm). Use a 0.025" (0.6 mm) depth-gauge jointer.
3. Depth-gauges must be adjusted with the flat file in the same direction the adjoining cutter was filed with the round file. Use care not to contact the cutter face with the flat file when adjusting depth gauges.

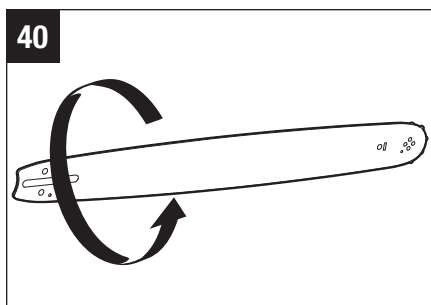


GUIDE BAR MAINTENANCE

When the guide bar shows signs of wear, reverse it on the saw to distribute the wear for maximum bar life (Fig. 40).

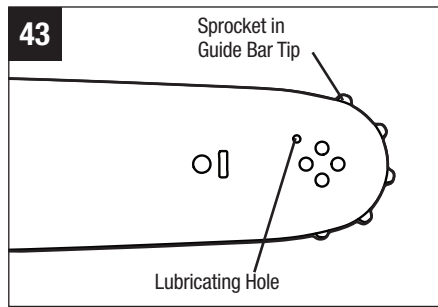
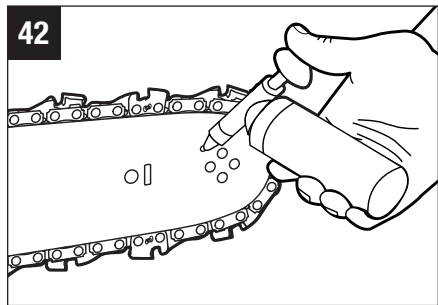
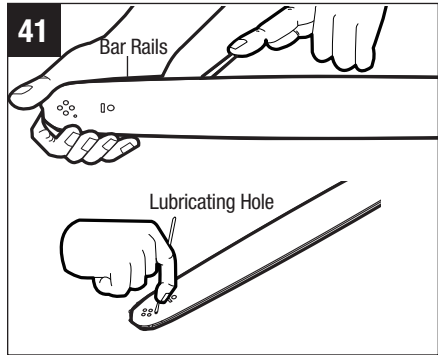
The bar should be cleaned every day after use and be checked for wear and damage (Fig. 41). Feathering or burring of the bar rails is a normal process of bar wear. Such faults should be smoothed with a file as soon as they occur. A bar with any of the following faults should be replaced.

- Wear inside the bar rails which permits the chain to lay over sideways.
- Bent guide bar.



- Cracked or broken rails.
- Spread rails.

The guide bar has a sprocket at its tip. The sprocket must be lubricated weekly with a grease syringe to extend the guide bar life (Fig. 42 & 43). Turn the nose sprocket while pumping grease into the lubricating hole until the entire sprocket has new grease. Do not push dirt into the hole.



TRANSPORTING AND STORING

- Do not store or transport the chain saw when it is running. Always remove the battery pack before storing or transporting.
- Always place the guide bar sheath on the guide bar and chain before storing or transporting the chain saw. Use caution to avoid the sharp teeth of the chain.
- Clean the chain saw thoroughly before storing. Store the chain saw indoors, in a dry place that is locked and/or inaccessible to children.
- Keep away from corrosive agents such as garden chemicals and de-icing salts.

TROUBLESHOOTING

PROBLEM	CAUSE	SOLUTION
<p>Motor does not run.</p>	<ul style="list-style-type: none"> ■ The battery pack is not attached to the chain saw. ■ No electrical contact between the saw and battery pack. ■ The battery pack charge is depleted. ■ The battery pack or chain saw is too hot. ■ Chain brake is engaged. ■ Saw chain is bound in the wood. ■ Debris in bar groove. ■ Debris in side cover. 	<ul style="list-style-type: none"> ■ Attach the battery pack to the chain saw. ■ Remove battery pack, check contacts and reinstall the battery pack. ■ Charge the battery pack. ■ Allow the battery pack or chain saw to cool until the temperature drops to the recommended operating temperature range. ■ Pull the chain kickback brake paddle backward toward the front handle (to the operating position). ■ Release the trigger switch; remove the saw chain and guide bar from the wood, then restart the chain saw. ■ Press the saw chain against the wood, move the chain saw back and forth to discharge the debris. ■ Remove battery pack, then remove side cover and clean out debris.
<p>Chain saw stops running during operation.</p>	<ul style="list-style-type: none"> ■ The chain saw is overloaded. ■ The battery pack or chain saw is too hot. ■ Saw chain is bound in the wood. 	<ul style="list-style-type: none"> ■ Decrease the load. ■ Allow the battery pack or chain saw to cool until the temperature drops to the recommended operating temperature range. ■ Release the trigger switch; remove the saw chain and guide bar from the wood, then restart the chain saw.

PROBLEM	CAUSE	SOLUTION
Motor runs, but chain does not rotate.	<ul style="list-style-type: none"> Chain does not engage drive sprocket. 	<ul style="list-style-type: none"> Remove the battery pack and reinstall the chain, making sure that the drive links on the chain are fully seated on the sprocket.
Chain brake does not engage.	<ul style="list-style-type: none"> Debris preventing full movement of the chain kickback brake paddle. Possible chain brake malfunction. 	<ul style="list-style-type: none"> Clean debris from external chain brake mechanism. Contact EGO Customer Service for repair.
Chain saw does not cut properly.	<ul style="list-style-type: none"> Insufficient chain tension. Dull chain. Chain installed backwards. Worn chain. 	<ul style="list-style-type: none"> Tension the chain following the section “ADJUSTING THE CHAIN TENSION” until the chain is correctly tensioned. Sharpen the chain cutters, following the section “HOW TO SHARPEN THE CUTTERS”. Remove the battery pack and reinstall the saw chain, following the section “REPLACING THE BAR AND CHAIN” Remove the battery pack and replace the chain following the section “REPLACING THE BAR AND CHAIN”
	<ul style="list-style-type: none"> Dry or excessively stretched chain. 	<ul style="list-style-type: none"> Check the oil level. Refill the oil tank if necessary.
	<ul style="list-style-type: none"> Chain is not in bar groove. 	<ul style="list-style-type: none"> Remove the battery pack and reinstall the saw chain, following the section “REPLACING THE BAR AND CHAIN”
Chain becomes loose or drops off the guide bar during normal use.	<ul style="list-style-type: none"> The chain will become loose as the temperature of the chain increases during normal saw operation. Chain does not engage drive sprocket. 	<ul style="list-style-type: none"> Tension the chain following the section “ADJUSTING THE CHAIN TENSION” until the chain is correctly tensioned. Remove the battery pack and reinstall the chain, following the section “REPLACING THE BAR AND CHAIN”. Ensure that the drive links on the chain are fully seated onto the sprocket.

PROBLEM	CAUSE	SOLUTION
Bar and chain running hot and smoking.	<ul style="list-style-type: none"><li data-bbox="291 266 522 293">■ Chain oil tank is empty.<li data-bbox="291 332 483 389">■ Debris in guide bar groove.	<ul style="list-style-type: none"><li data-bbox="554 266 919 323">■ Check the oil level. Refill the oil tank if necessary.<li data-bbox="554 332 846 360">■ Clear the debris in the groove.



EGO LIMITED WARRANTY

WARRANTY POLICY TERMS AND DURATION

Chervon North America, Inc. (“Chervon North America”) provides the following Limited Warranty for EGO products to the original purchaser of EGO products.

The detailed warranty period for each EGO product can be found online at <http://egopowerplus.com/warranty-policy>.

Please contact EGO Customer Service Toll-Free at 1-855-EGO-5656 any time you have questions or warranty claims or would like a hard copy of the warranty.

LIMITED SERVICE WARRANTY

EGO products are warranted against defects in material or workmanship from the date of original retail purchase for the applicable warranty period. For any properly and timely submitted warranty claim, if Chervon North America determines a product to be defective during the warranty period, the product will receive free repair or replacement as determined by Chervon North America.

HOW TO OBTAIN SERVICE

For warranty service, within the applicable warranty period, please contact EGO customer service toll-free at **1-855-EGO-5656**. When requesting warranty service, you must present the original dated sales receipt. An authorized service center will be selected to evaluate and repair the product if defective according to the stated warranty terms. When bringing your product to the authorized service center, there may be a small deposit that will be required when dropping off your tool. This deposit is refundable when the repair service is deemed to be covered under warranty.

ADDITIONAL LIMITATIONS & EXCLUSIONS

This limited warranty applies only to the original purchaser from an authorized EGO retailer and is not transferable. EGO products shall not be considered defective, and this warranty will not apply, where the claimed defect is attributable to any cause other than the above-defined defects. This warranty shall be void if the product has been used for rental purposes. This warranty shall not apply to damage caused by accident, abuse, misuse, alteration, modification, unauthorized repair, liquid contact, fire, earthquake or other external cause; operating the product outside EGO’s instructions, specifications or guidelines; or failure to properly service of maintain the product. This warranty also does not apply to cosmetic damage, including but not limited to scratches or dents;



defects caused by normal wear and tear or otherwise due to the normal aging of the product.

THIS EXPRESS WARRANTY IS GIVEN IN LIEU OF ALL OTHER WARRANTIES, EXPRESS OR IMPLIED, INCLUDING, BUT NOT LIMITED TO, ANY WARRANTIES OF MERCHANTABILITY OR FITNESS FOR PARTICULAR PURPOSE OR USE, WHICH ARE DISCLAIMED. Any implied warranties, including warranties of merchantability or fitness for a particular purpose, that cannot be disclaimed under state law are limited to the applicable warranty period defined at the beginning of this article. The sole and exclusive remedy in connection with the purchase, installation, use, and/or performance of the EGO products is repair or replacement of the product as determined by Chervon North America. Chervon North America's maximum liability shall not in any case exceed the purchase price paid for the product. CHERVON NORTH AMERICA SHALL NOT BE LIABLE TO THE USER OR TO ANYONE ELSE FOR CONSEQUENTIAL, INCIDENTAL, SPECIAL, EXEMPLARY, INDIRECT, OR PUNITIVE DAMAGES ARISING FROM USE OF THE PRODUCTS, INCLUDING BUT NOT LIMITED TO PERSONAL INJURY, DEATH, PROPERTY DAMAGE, LOST PROFITS, OR OTHER ECONOMIC INJURY. This warranty gives you specific legal rights, and you may also have other rights which vary from state to state. Some states do not allow limitations on how long an implied warranty lasts, the exclusion or limitation of incidental or consequential damages, or the limitations on time to bring certain actions, so such limitations contained herein do not apply to individual consumers in those states.

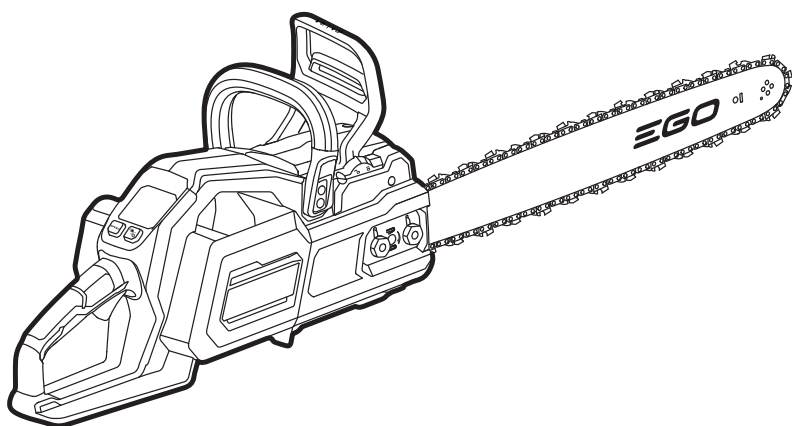
This warranty is subject to and shall be interpreted according to Michigan law without regard to principles of conflicts of laws. No legal action shall be brought against Chervon North America unless filed within one (1) year after the basis for such legal action becomes known, or with the exercise of reasonable diligence should have become known. Any action not timely filed shall be deemed waived.

For customer service contact us toll-free at: **1-855-EGO-5656** or **EGOPOWERPLUS.COM**.

EGO Customer Service
769 Seward Ave. NW, Suite 102
Grand Rapids, Michigan 49504.

EGO™

POWER⁺ CHAIN SAW



GUIDE D'UTILISATION

SCIE À CHAÎNE SANS FIL AU LITHIUM-ION DE 56 V, 20 PO

NUMÉRO DE MODÈLE CS2000/CS2000-FC

⚠ AVERTISSEMENT : Afin de réduire les risques de blessure, l'utilisateur doit lire et comprendre le guide d'utilisation avant d'utiliser ce produit. Conservez le présent guide afin de pouvoir le consulter ultérieurement.

LISEZ TOUTES LES INSTRUCTIONS!



LISEZ LE MODE D'EMPLOI ET
ASSUREZ-VOUS QUE VOUS LE COMPRENEZ

TABLE DES MATIÈRES

Symboles de sécurité	57-58
Symboles	59-60
Consignes de sécurité générales	61-65
Consignes de sécurité pour les scies à chaîne	65-72
Consignes de sécurité supplémentaires	72-73
Déclaration de conformité FCC	74
Introduction	75
Caractéristiques techniques	76
Liste des pièces	76
Accessoire	77
Description	78-81
Assemblage	82
Fonctionnement	83-98
Maintenance	99-108
Dépannage	109-112
Garantie limitée EGO	113-114

SYMBOLES DE SÉCURITÉ

L'objectif des symboles de sécurité est d'attirer votre attention sur les dangers potentiels. Vous devez examiner attentivement et bien comprendre les symboles de sécurité et les explications qui les accompagnent. Les symboles d'avertissement en tant que tels n'éliminent pas le danger. Les consignes et les avertissements qui y sont associés ne remplacent en aucun cas les mesures préventives adéquates.

⚠ AVERTISSEMENT: Assurez-vous de lire et de comprendre toutes les consignes de sécurité présentées dans le présent mode d'emploi, notamment toutes les consignes de sécurité indiquées par « **DANGER** », « **AVERTISSEMENT** » et « **MISE EN GARDE** ». Le non-respect des consignes de sécurité ci-dessous peut occasionner une décharge électrique, un incendie ou des blessures graves.

Les définitions ci-dessous décrivent le niveau de gravité pour chaque terme signalant un danger. Veuillez lire le mode d'emploi et regarder la signification de ces symboles	
	C'est le symbole d'alerte relatif à la sécurité. Il est utilisé pour vous avertir de l'existence possible d'un danger de lésion corporelle. Obéissez à tous les messages relatifs à la sécurité qui suivent ce symbole pour éviter tout risque de blessure ou même de mort.
	DANGER indique une situation dangereuse qui, si elle n'est pas évitée, causera la mort d'une personne ou une blessure grave.
	AVERTISSEMENT indique une situation dangereuse qui, si elle n'est pas évitée, pourrait causer la mort d'une personne ou une blessure grave.
	MISE EN GARDE , conjointement avec le symbole d'alerte en liaison avec la sécurité, indique une situation dangereuse qui, si elle n'est pas évitée, causera une blessure légère ou modérée.

MESSAGES D'INFORMATION ET DE PRÉVENTION DES DOMMAGES





Ils informent l'utilisateur d'informations et/ou d'instructions importantes qui pourraient entraîner des dommages matériels ou aux équipements s'ils ne sont pas suivis. Chaque message est précédé par le terme « AVIS », comme dans l'exemple ci-dessous :

AVIS : Un dommage matériel et/ou aux équipements peut survenir si ces instructions ne sont pas suivies.

SYMBOLES

Vous trouverez ci-dessous les symboles de sécurité qui peuvent être présents sur le produit, accompagnés de leur description. Vous devez lire, comprendre et suivre toutes les instructions présentes sur la machine avant de commencer à l'assembler ou à l'utiliser.

	Alerte de sécurité	Précautions concernant votre sécurité.
	Assurez-vous de lire et de comprendre le mode d'emploi	Pour réduire le risque de blessure, l'utilisateur doit lire et comprendre le mode d'emploi avant de commencer à utiliser ce produit.
	Portez des lunettes de sécurité.	Portez toujours des lunettes de protection ou des lunettes de sécurité à écrans latéraux et un masque couvrant tout le visage lors de l'utilisation de ce produit.
	Portez des protecteurs d'oreilles.	Le bruit émis par la scie à chaîne peut endommager votre ouïe. Portez toujours un dispositif de protection des oreilles (protège-oreilles ou bouchons d'oreilles) pour protéger votre ouïe.
	Portez un casque.	Portez un casque dur de sécurité agréé pour protéger votre tête.
	Portez des gants de protection.	Protégez vos mains avec des gants lorsque vous touchez la scie et la chaîne de la scie. Des gants épais et antidérapants améliorent votre préhension et protègent vos mains.
	Portez des chaussures de sécurité	Portez des chaussures de sécurité antidérapantes lorsque vous utilisez cet équipement.
	Choc en retour de la pointe de la barre de guidage	Un tel contact de la pointe peut causer un mouvement soudain de la barre de guidage vers le haut et vers l'arrière, ce qui risquerait de causer des blessures graves.

	Préhension avec les deux mains	Tenez toujours la scie à chaîne des deux mains lorsque vous l'utilisez.
	Bluetooth®	Symbole Bluetooth®
	Symboles de recyclage	Ce produit utilise des piles au lithium-ion (Li-ion). Les lois et règlements locaux, provinciaux et fédéraux interdisent peut-être de jeter des piles au lithium-ion dans les ordures ordinaires. Consultez votre service municipal responsable de la gestion des déchets pour déterminer quelles sont les options de recyclage et/ou d'élimination possibles.
IP...	Indice de protection pour la pénétration	Classifie le degré de protection fourni par une enceinte pour le matériel électrique.
	Courant continu (c.c.)	Type de courant ou caractéristique de courant
V	Volt	Tension
mm	Millimètre	Longueur ou taille
cm	Centimètre	Longueur ou taille
ft	pi	Longueur ou taille
in.	po	Longueur ou taille
kg	Kilogramme	Poids
lb	lb	Poids
ml	Millilitre	Volume
fl.oz	Once liquide	Volume
°C	Degrés Celsius	Température
°F	Degrés Fahrenheit	Température

CONSIGNES DE SÉCURITÉ GÉNÉRALES

⚠ AVERTISSEMENT ! Lisez tous les avertissements, instructions, illustrations et spécifications fournis avec cet outil électrique. Le non-respect des consignes de sécurité ci-dessous peut occasionner un choc électrique, un incendie ou des blessures graves.

Conservez tous les avertissements et toutes les instructions afin de pouvoir les consulter ultérieurement.

Le terme « machine » dans les avertissements fait référence à votre machine à cordon électrique branché dans une prise secteur ou à votre machine à piles (sans fil).

SÉCURITÉ DE L'AIRE DE TRAVAIL

- **Maintenez l'aire de travail propre et bien éclairée.** Les aires de travail sombres et encombrées sont propices aux accidents.
- **N'utilisez pas d'outils électriques dans un milieu explosif, par exemple en présence de liquides, de vapeurs ou de poussières inflammables.** Les outils électriques produisent des étincelles susceptibles d'enflammer ces poussières ou ces vapeurs.
- **Gardez les enfants et les autres personnes à l'écart lorsque vous utilisez un outil électrique.** Une distraction peut vous faire perdre la maîtrise de l'outil.

Sécurité électrique

- **Les fiches de la machine doivent correspondre à la prise de courant. Ne modifiez jamais la fiche de quelque façon que ce soit. N'utilisez pas d'adaptateurs de fiches avec des machines mises à la terre (à la masse).** L'emploi de fiches non modifiées et de prises de courant correspondant naturellement aux fiches réduira le risque de choc électrique.
- **Évitez tout contact de votre corps avec des surfaces mises à la terre ou à la masse, telles que des surfaces de tuyaux, de radiateurs, de cuisinières et de réfrigérateurs.** Il existe un risque accru de choc électrique si votre corps est en contact avec la terre ou la masse.
- **N'exposez pas les machines à la pluie ou à l'humidité.** La pénétration d'eau dans une machine augmentera le risque de choc électrique.
- **N'utilisez pas le cordon de façon abusive. N'utilisez jamais le cordon pour porter, tirer ou débrancher l'outil électrique. Tenez le cordon à distance de toute source de chaleur, d'huile, de bords tranchants ou de**

pièces mobiles. Des cordons endommagés ou entortillés augmentent le risque de choc électrique.

- **Lorsque vous utilisez un outil électrique à l'extérieur, employez un cordon de rallonge approprié pour un emploi à l'extérieur.** L'utilisation d'un cordon approprié pour une utilisation à l'extérieur réduit le risque de choc électrique.
- **S'il est inévitable d'utiliser un outil électrique dans un environnement humide, utilisez une alimentation protégée par un disjoncteur avec circuit de fuite à la terre (GFCI).** L'utilisation d'un circuit GFCI réduit le risque de choc électrique.

SÉCURITÉ PERSONNELLE

- **Soyez vigilant, prêtez attention à ce que vous faites et usez de votre jugement lorsque vous utilisez un outil électrique. N'utilisez pas un outil électrique lorsque vous êtes fatigué ou sous l'effet de drogues, d'alcool ou de médicaments.** Un moment d'inattention pendant que vous utilisez des outils électriques peut occasionner des blessures graves.
- **Utilisez des équipements de protection personnelle. Portez toujours des équipements de protection des yeux.** Des équipements de protection tels qu'un masque de protection contre la poussière, des chaussures de sécurité antidérapantes, un casque ou un dispositif de protection de l'ouïe utilisés en fonction des conditions réduiront le nombre des blessures.
- **Prenez des mesures afin d'éviter que l'outil se mette en marche accidentellement. Assurez-vous que l'interrupteur est sur la position d'arrêt avant de brancher l'outil sur un bloc-piles, de le ramasser ou de le transporter.** Transporter les outils électriques avec le doigt sur l'interrupteur ou brancher les outils lorsque l'interrupteur est en position de marche augmente les risques d'accident.
- **Retirez toutes les clés de réglage de l'outil électrique avant de le mettre en marche.** Une clé de réglage oubliée sur une pièce mobile de l'outil électrique peut entraîner des blessures.
- **Ne vous étirez pas pour étendre votre portée.** Gardez une posture sécuritaire et un bon équilibre en tout temps. Cela permet de mieux contrôler l'outil électrique dans des situations inattendues.
- **Habillez-vous convenablement. Ne portez pas de vêtements amples ni de bijoux. Gardez vos cheveux et vos vêtements loin des pièces mobiles.** Les vêtements amples, les bijoux et les cheveux longs risquent de se prendre dans les pièces en mouvement.

- **Si un dispositif permet de raccorder un dépoussiéreur, assurez-vous que celui-ci est branché et utilisé de manière appropriée.** L'emploi d'un dépoussiéreur contribue à réduire les dangers liés à la poussière.
- **Même si vous connaissez parfaitement ces outils parce que vous les utilisez souvent, soyez vigilant et respectez les principes de sécurité.** Il suffit d'être négligent une fraction de seconde pour se blesser gravement.

Utilisation et entretien de la machine

- **Ne forcez pas l'outil électrique. Utilisez l'outil électrique approprié à la tâche que vous souhaitez accomplir.** L'utilisation de l'outil électrique approprié permet d'obtenir de meilleurs résultats, de façon plus sécuritaire, selon le régime de fonctionnement prévu.
- **N'utilisez pas l'outil électrique si l'interrupteur ne fonctionne pas.** Tout outil électrique qui ne peut être commandé au moyen de l'interrupteur est dangereux et doit être réparé.
- **Débranchez la fiche de la prise secteur et/ou retirez le bloc-piles de la machine (s'il est amovible) avant d'y apporter de quelconques modifications, de changer d'accessoire ou de ranger la machine.** De telles mesures de sécurité préventives réduisent le risque de démarrage accidentel de la machine.
- **Rangez l'outil électrique à l'arrêt hors de la portée des enfants et n'autorisez pas une personne ne sachant pas s'en servir ou n'ayant pas lu ces instructions à l'utiliser.** Les outils électriques sont dangereux s'ils se retrouvent entre les mains d'utilisateurs qui ne savent pas s'en servir.
- **Entretenez les outils électriques et les accessoires. Vérifiez les pièces mobiles pour vous assurer qu'elles ne sont pas désalignées, enrayées, brisées, ou dans un état qui pourrait nuire à leur fonctionnement.** Si l'outil électrique est endommagé, faites-le réparer avant de l'utiliser. De nombreux accidents sont provoqués par des outils électriques et des accessoires mal entretenus.
- **Gardez vos outils tranchants affûtés et propres.** Des outils tranchants bien entretenus et dont les lames sont affûtées risquent moins de se bloquer et sont plus faciles à maîtriser.
- **Utilisez l'outil électrique, les accessoires, les embouts ou autres conformément aux instructions, en tenant compte des conditions de travail et du travail à effectuer.** L'utilisation de l'outil électrique à des fins

autres que celles auxquelles il est destiné pourrait entraîner une situation dangereuse.

- **Gardez les poignées et les surfaces de préhension propres, sèches et exemptes de toute trace d'huile ou de graisse.** Les poignées et les surfaces de préhension glissantes ne permettent pas une manipulation et un contrôle sûrs de la machine dans des situations inattendues.

Utilisation et entretien des machines à piles

- **Rechargez uniquement le bloc-piles à l'aide du chargeur approuvé par le fabricant.** Un chargeur conçu pour un type de bloc-piles peut causer un incendie s'il est utilisé avec un autre bloc-piles.
- **Utilisez les outils électriques uniquement avec les blocs-piles désignés.** L'utilisation de tout autre bloc-piles peut constituer un risque de blessure et d'incendie.
- **Lorsque vous n'utilisez pas le bloc-piles, conservez-le à l'écart d'autres objets métalliques, comme des trombones, des pièces de monnaie, des clés, des clous, des vis et d'autres petits objets métalliques qui peuvent connecter une borne à une autre.** Un court-circuit entre les bornes du bloc-piles peut occasionner des brûlures ou un incendie.
- **Dans de mauvaises conditions, un liquide peut être éjecté du bloc-piles; évitez tout contact avec celui-ci. En cas de contact accidentel, rincez à grande eau. Si vos yeux entrent en contact avec ce liquide, consultez un médecin.** Le liquide provenant des piles peut causer de l'irritation ou des brûlures.
- **N'utilisez pas un bloc-piles ou un outil endommagé ou modifié.** Les blocs-piles modifiés ou endommagés peuvent fonctionner de façon imprévisible et présenter un risque d'incendie, d'explosion ou de blessures.
- **N'exposez pas un bloc-piles ou un outil à un feu ou à une température excessive.** L'exposition au feu ou à une température supérieure à 100 °C (212 °F) peut provoquer une explosion.
- **Suivez toutes les instructions pour la charge et ne chargez pas le bloc-piles ou l'outil en dehors de la plage de température précisée dans les instructions.** Une recharge inadéquate ou effectuée à des températures en dehors de la plage précisée peut endommager le bloc-piles et augmenter le risque d'incendie.

SERVICE APRÈS-VENTE

- **Demandez à un technicien qualifié qui utilise seulement des pièces de rechange identiques aux pièces d'origine d'effectuer l'entretien de votre outil électrique.** Vous vous assurerez ainsi que l'outil électrique demeure sécuritaire.
- **Ne réparez jamais un bloc-piles endommagé.** Seuls le fabricant et les fournisseurs de services autorisés peuvent effectuer la réparation d'un bloc-piles.

CONSIGNES DE SÉCURITÉ POUR LES SCIES À CHÂÎNE

- **Gardez toutes les parties de votre corps à une distance suffisante de la chaîne de la scie lorsque la scie à chaîne est en marche. Avant de mettre la scie à chaîne en marche, assurez-vous qu'elle n'est pas en contact avec un quelconque objet.** Un simple moment d'inattention pendant que vous utilisez une scie à chaîne pourrait causer l'enchevêtrement d'un de vos vêtements ou de votre corps avec la chaîne de la scie.
- **Tenez toujours la scie à chaîne avec votre main droite placée sur la poignée arrière et votre main gauche sur la poignée avant.** Le fait de tenir la scie à chaîne dans une configuration caractérisée par l'inversement de la position des mains augmenterait le risque de blessure. Il ne faut donc jamais tenir la scie dans une telle configuration des mains.
- **Tenez l'outil électrique uniquement par les poignées protégées, car la chaîne de la scie pourrait entrer en contact avec un câblage caché.** Si la chaîne entre en contact avec un câble alimenté pendant que l'appareil est en marche, cela risque d'exposer les pièces métalliques de l'outil électrique et d'occasionner un choc électrique à l'utilisateur.
- **Portez des lunettes de sécurité et des protections auditives. Des protections pour la tête, les mains, les jambes et les pieds sont aussi recommandées.** Des vêtements de protection adéquats réduisent les risques de blessures provoquées par la projection de débris ou par un contact accidentel avec la chaîne de la scie.
- **N'utilisez pas de scie à chaîne si vous êtes dans un arbre, sur une échelle, sur un toit ou sur un quelconque support instable.** L'utilisation d'une scie à chaîne de cette manière peut occasionner des blessures graves.
- **Maintenez toujours des appuis fermes et n'utilisez la scie à chaîne que lorsque vous vous tenez sur une surface fixe, sécurisée et de niveau.** Des surfaces glissantes ou instables, comme une échelle, peuvent occasionner une perte d'équilibre ou une perte de contrôle de la scie à chaîne.

- **Lorsque vous coupez une branche soumise à une tension, prenez garde à sa détente.** Quand la tension des fibres de bois se relâche, la branche peut venir vous frapper ou vous faire perdre le contrôle de la scie à chaîne.
- **Faites très attention lorsque vous coupez du sous-bois ou de jeunes arbres.** Leur matériau souple pourrait coincer dans la chaîne de la scie et être envoyé dans votre direction ou encore tirer et vous faire perdre l'équilibre.
- **Pour transporter la scie à chaîne, éteignez-la et tenez-la éloignée de votre corps par la poignée avant. Installez toujours la gaine de la chaîne avant de transporter ou de ranger la scie.** Une manipulation appropriée de l'ascie réduit les risques de contacts accidentels avec la chaîne en mouvement.
- **Suivez les instructions pour le graissage, le réglage de la tension de la chaîne et le changement de la barre et de la chaîne.** Une mauvaise tension ou une mauvaise lubrification peut entraîner le bris de la chaîne ou augmenter le risque de rebond.
- **Ne coupez que du bois. N'utilisez pas la scie à chaîne pour des tâches autres que celles pour lesquelles elle a été conçue. Par exemple, ne l'utilisez pas pour couper du métal, du plastique, des matériaux de maçonnerie ni des matériaux de construction non faits de bois.** L'utilisation d'une scie à chaîne pour des tâches pour lesquelles elle n'a pas été conçue pourrait créer une situation dangereuse.
- **Ne tentez pas d'abattre un arbre avant d'avoir compris les risques qui y sont associés et la façon de les éviter.** L'abattage d'un arbre pourrait causer des blessures graves à l'utilisateur ou aux gens à proximité.
- **Suivez toutes les instructions pour dégager les matériaux coincés, ranger la scie à chaîne ou en faire l'entretien. Assurez-vous que l'interrupteur est éteint et que le bloc-piles est retiré.** Une mise en marche inattendue de la scie à chaîne pendant que l'opérateur s'efforce d'en retirer des déchets coincés ou d'effectuer une opération d'entretien pourrait causer une blessure grave.

CAUSES DES CHOCS EN RETOUR, ET PRÉVENTION DE TELS CHOCS PAR L'OPÉRATEUR

Un choc en retour peut se produire lorsque la pointe ou l'extrémité de la barre de guidage entre en contact avec un objet, ou quand le bois coupé cause un pincement de la chaîne.

Dans certains cas, le contact de la pointe peut causer un effet de rebond projetant la barre de guidage vers le haut et vers l'arrière, en direction de l'opérateur.

Le pincement de la chaîne de la scie le long du haut de la barre de guidage peut pousser très vite la barre de guidage vers l'arrière, dans la direction de l'opérateur.

L'une quelconque de ces réactions peut vous faire perdre le contrôle de la scie, ce qui pourrait causer des blessures graves. Ne comptez pas exclusivement sur les mécanismes de sécurité incorporés à votre scie. En tant qu'utilisateur de la scie à chaîne, il vous incombe de prendre certaines mesures pour éviter les accidents ou les blessures lorsque vous vous servez de cette scie.

Le rebond est la conséquence d'une utilisation incorrecte de la scie et/ou de conditions inappropriées ou de procédures opérationnelles incorrectes ; il peut être évité en prenant des précautions appropriées, comme cela est indiqué ci-dessous :

- **Maintenez une prise ferme, avec les pouces et les doigts autour des poignées de la scie à chaîne, avec les deux mains sur la scie et en positionnant votre corps et votre bras de façon à vous permettre de résister à la force d'un choc en retour.** L'opérateur peut contrôler les forces de l'effet de rebond s'il prend des précautions appropriées. Ne cessez jamais de tenir fermement la scie à chaîne.
- **Ne vous penchez pas excessivement en avant et ne coupez pas plus haut que la hauteur de vos épaules.** Ceci contribue à prévenir un contact accidentel avec la pointe et assure un meilleur contrôle de la scie à chaîne dans des situations inattendues.
- **N'utilisez que des barres de guidage et des chaînes de remplacement qui sont spécifiées par le fabricant.** Des barres et des chaînes de remplacement incorrectes pourraient causer la cassure de la chaîne et/ou un effet de rebond.
- **Suivez les instructions du fabricant pour l'affûtage et la maintenance de la chaîne de la scie.** La réduction de la hauteur de la jauge de profondeur peut causer des risques accrus de choc en retour.

DISPOSITIFS DE PROTECTION CONTRE LES CHOCS EN RETOUR SUR CETTE SCIE À CHAÎNE

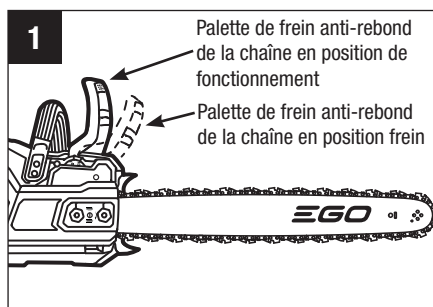
Frein de la chaîne

La scie à chaîne est munie d'un frein de chaîne qui arrête à la fois le moteur et le mouvement de la chaîne en cas de choc en retour. Le frein de la chaîne peut être activé par le mouvement vers l'avant de la palette du frein anti-rebond de la chaîne lorsque la scie tourne vers l'arrière pendant le rebond ; il peut également être activé par les forces d'inertie qui sont produites pendant un refoulement rapide.

⚠ AVERTISSEMENT : Ne modifiez jamais, ou ne tentez jamais de désactiver, le frein de la chaîne.

Assurez-vous que le frein de la chaîne fonctionne correctement avant de commencer à utiliser la scie à chaîne. La palette du frein anti-rebond de la chaîne doit pouvoir avancer et reculer facilement.

Pour tester le fonctionnement du frein de la chaîne, suivez la procédure ci-dessous (Fig. 1) :



- Placez la scie à chaîne sur une surface plate nue et assurez-vous qu'il n'y a pas dans les environs immédiats d'objets ou d'obstructions qui pourraient entrer en contact avec la barre et la chaîne.
- Désengagez le frein de la chaîne en tirant sur la poignée du frein anti-rebond de la chaîne pour le rapprocher de la poignée avant. L'icône du frein sur l'écran ACL (Fig. 8) s'éteint.
- Mettez la scie à chaîne en marche.
- Poussez la palette du frein anti-rebond de la chaîne vers l'avant de la scie. Un frein à main fonctionnant correctement arrêtera immédiatement le mouvement de la chaîne. Si le frein de la chaîne ne fonctionne pas correctement, n'utilisez pas la scie à chaîne avant de l'avoir fait réparer par un technicien de service compétent.

⚠ AVERTISSEMENT : Confirmez que le frein de la chaîne fonctionne correctement avant chaque utilisation.

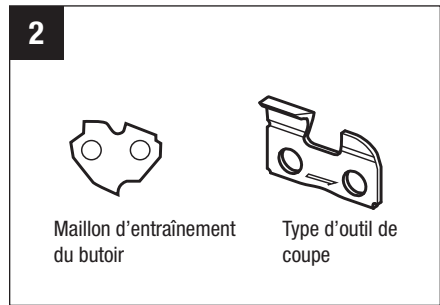
⚠ AVERTISSEMENT : Si le frein de la chaîne est obstrué par des copeaux de bois, il risque de fonctionner de façon inadéquate à la longue. Nettoyez régulièrement ce dispositif.

Chaîne de scie à faible rebond

Les guides de profondeur situés devant chaque gouge peuvent réduire au minimum la force d'un rebond en empêchant les gouges de creuser trop profondément à l'endroit où survient ce rebond. N'utilisez qu'une chaîne de rechange équivalente à la chaîne d'origine ou homologuée chaîne à faible rebond selon la norme ANSI B175.1. Une chaîne de scie à faible rebond est une chaîne qui satisfait aux exigences en matière de rebonds de la norme ANSI B175.1 (la norme de l'American National Standard relative aux outils électriques – Exigences de sécurité des scies à chaîne à essence) lors d'essais sur l'échantillon représentatif de scies à chaîne décrit dans la norme ANSI B175.1, sous 3.8 c.i.d.

Le maillon d'entraînement du butoir (Figure 2) aide également à offrir un rendement à faible rebond.

⚠ MISE EN GARDE : Au fur et à mesure qu'elles sont affûtées au cours de leur vie utile, les chaînes de scie perdent une partie de leurs propriétés anti-rebond et doivent être utilisées avec davantage de précautions.



BARRE DE GUIDAGE

La présente scie est équipée d'une barre de guidage avec une extrémité à faible rayon. Les extrémités à faible rayon ont moins tendance à rebondir. Lors du remplacement de la barre de guidage, assurez-vous de vous procurer la barre de guidage indiquée dans le présent mode d'emploi.

AVERTISSEMENTS SUPPLÉMENTAIRES

- **Une compréhension élémentaire des rebonds (Figures 3 à 5) vous permettra de réduire ou d'éliminer l'élément de surprise.**

La surprise contribue aux accidents.

- **Assurez-vous que la zone dans laquelle vous faites la coupe est dépourvue d'obstacles.**

Assurez-vous que le bout de la barre de guidage ne rencontre ni bûche, ni branche, ni clôture, ni tout autre obstacle pendant que vous manipulez la scie.

- **Inspectez la pièce à travailler avant la coupe pour repérer tout clou, câble ou autre corps étranger.**

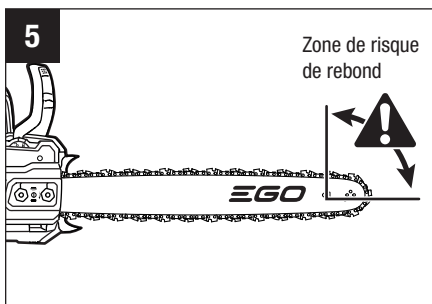
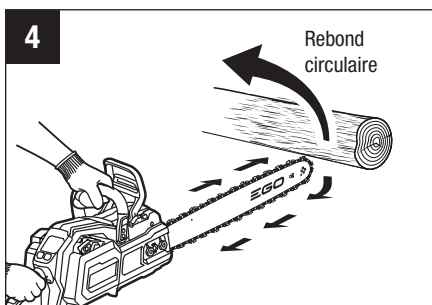
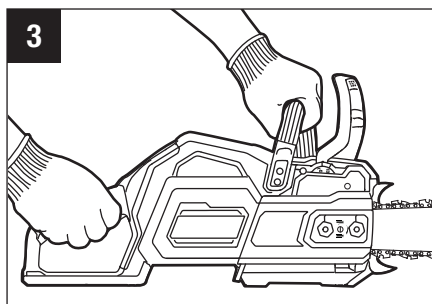
- **Planifiez vos travaux : assurez-vous d'avoir une aire de travail dépourvue d'obstacles et, si vous abattez un arbre, prévoyez au moins une voie de retraite pour échapper à la chute de l'arbre.**

- **Lorsque vous abattez un arbre, maintenez toute personne à une distance d'au moins deux fois la longueur de l'arbre.**

- **Gardez une posture sécuritaire et un bon équilibre en tout temps.**

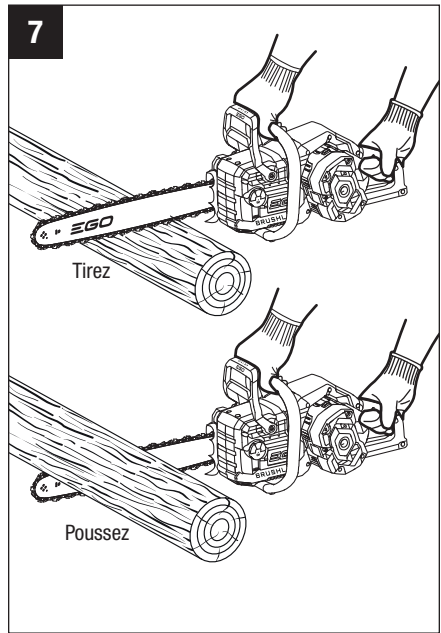
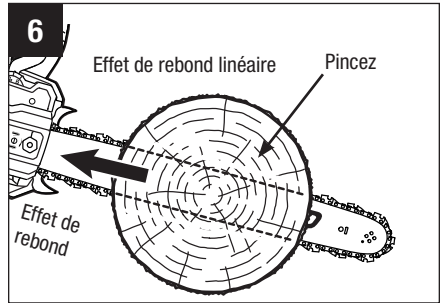
- **Une scie à chaîne doit être utilisée à deux mains.** Manipuler la scie avec une seule main pourrait occasionner des blessures graves à l'utilisateur et aux personnes se trouvant à proximité (Figure 3).

- **L'outil doit toujours tourner à pleine vitesse lors des coupes.** Enfoncez



complètement la gâchette et conservez la vitesse de coupe.

- 6
Poussée et traction – La force d'un rebond va toujours dans la direction opposée à celle de la chaîne à l'endroit où le contact avec le bois a lieu. Cela veut dire que vous devez être prêt à contrôler la TRACTION lorsque vous coupez à l'aide du bord inférieur de la barre de guidage et que vous devez résister à la POUSSÉE lorsque vous coupez le long du bord supérieur de la barre de guidage (Figure 7).
- 7
Évitez tout contact involontaire avec la chaîne de la scie immobile ou la rainure de la barre de guidage. Elles peuvent être très coupantes. Portez toujours des gants et des pantalons ou des jambières de protection pour manipuler la scie à chaîne, la chaîne de la scie ou la barre de guidage.
- N'utilisez jamais une scie à chaîne endommagée, mal ajustée ou qui n'est pas assemblée complètement et de façon sécuritaire.** Assurez-vous que la chaîne de la scie s'immobilise quand vous relâchez la gâchette.
- Immobilisez la pièce à travailler avant de la tronçonner. Avant d'abattre ou d'élaguer un arbre, repérez et immobilisez les branches dangereuses.**
- Une coupe mal exécutée, effectuée avec brusquerie ou un usage inapproprié de la scie à chaîne pourraient user prématurément la barre de guidage, la chaîne ou le pignon d'entraînement et occasionner le bris de ces éléments (donnant lieu à des rebonds), le déraillement de la chaîne ou l'éjection de matériaux.**



- **N'utilisez jamais la barre de guidage comme un levier.** Une barre de guidage pliée peut entraîner l'usure prématurée de cette barre, de la chaîne et du pignon d'entraînement, ou encore le bris de la chaîne et de la barre de guidage, ce qui pourrait donner lieu à des rebonds, au déraillement de la chaîne et à l'éjection de matériaux.
- **Ne coupez qu'une pièce à travailler à la fois.**
- **Utilisez le produit uniquement avec les blocs-piles et les chargeurs indiqués ci-dessous :**

BLOC-PILE	CHARGEUR
BA1400, BA1400-FC, BA2800, BA2800-FC, BA4200, BA4200-FC, BA1400T, BA1400T-FC, BA2242T, BA2242T-FC, BA2800T, BA2800T-FC, BA3360T, BA3360T-FC, BA4200T, BA4200T-FC, BA4480T, BA4480T-FC, BA5600T, BA5600T-FC, BA6720T, BA6720T-FC	CH2100, CH2100-FC, CH3200, CH3200-FC, CH5500, CH5500-FC, CH2800D, CH2800D-FC, CH7000, CH7000-FC

- **Ne rechargez pas le bloc-piles sous la pluie ni dans un endroit mouillé.**
- **S'il se produit une situation qui ne figure pas dans le présent mode d'emploi, faites preuve de prudence et de jugement. Communiquez avec le centre de service EGO pour obtenir de l'aide.**

CONSIGNES DE SÉCURITÉ SUPPLÉMENTAIRES

⚠ AVERTISSEMENT : Le perçage, le sciage, le ponçage ou l'usinage de produits en bois peuvent vous exposer à de la poussière de bois, une substance qui, selon l'État de Californie, est susceptible de causer des cancers. Évitez d'inhaler de la sciure de bois, ou utilisez un masque antipoussière ou d'autres dispositifs de protection individuelle. Pour obtenir plus d'informations, rendez-vous sur le site www.P65Warnings.ca.gov/wood.

⚠ AVERTISSEMENT : Des travaux de ponçage, de sciage, de meulage et de perçage réalisés avec un outil électrique et d'autres travaux de construction peuvent produire des poussières qui, selon l'État de Californie, contiennent des produits chimiques qui sont des causes reconnues de cancer, de malformation congénitale ou d'autres problèmes reproductifs. Ces produits chimiques sont, par exemple :

- du plomb provenant de peinture au plomb,
- des cristaux de silice provenant des briques et du ciment, ou d'autres produits de maçonnerie, et
- de l'arsenic et du chrome provenant de bois de construction traité par des produits chimiques.

Le niveau de risque causé par de telles expositions varie en fonction de la fréquence de ces types de travaux. Pour réduire votre exposition à ces produits chimiques :

- Travaillez toujours dans un endroit bien ventilé.
- Portez un équipement de sécurité approprié tel que certains masques conçus spécialement pour filtrer les particules microscopiques.
- Évitez tout contact prolongé avec la poussière produite par le ponçage, le sciage, le meulage, le perçage et d'autres activités de construction avec des outils électriques. Portez des vêtements de protection et lavez les surfaces de la peau ayant été exposées avec de l'eau et du savon. Si vous laissez de la poussière pénétrer dans votre bouche ou dans vos yeux, ou rester sur votre peau, cela risquerait de promouvoir l'absorption de produits chimiques toxiques.

DÉCLARATION DE CONFORMITÉ FCC

1. Cet appareil est conforme à la partie 15 des Règlements de la FCC. Son fonctionnement est soumis aux deux conditions suivantes :
 - 1) L'appareil ne doit pas provoquer d'interférences nuisibles.
 - 2) L'appareil doit accepter toute interférence reçue, y compris des interférences susceptibles de causer un fonctionnement non désiré.
2. Tout changement ou toute modification non expressément approuvé par la partie responsable de la conformité peut annuler le droit de l'utilisateur à faire fonctionner l'équipement

AVERTISSEMENT: Cet équipement a été testé et a été déclaré conforme aux restrictions pour dispositifs numériques de classe B en vertu de la partie 15 des Règlements de la FCC. Ces restrictions visent à offrir une protection raisonnable contre l'interférence nuisible d'une installation résidentielle. Cet équipement génère, utilise et peut émettre de l'énergie de fréquence radio et, s'il n'est pas installé et utilisé conformément aux instructions, il peut causer une interférence nuisible aux radiocommunications. Toutefois, il n'est pas garanti qu'une interférence ne puisse pas se produire dans une installation particulière. Si l'équipement cause une interférence nuisible à la réception radio ou télévisuelle, interférence qui peut être déterminée en allumant et en éteignant l'équipement, il est recommandé que l'utilisateur tente de corriger l'interférence en prenant au moins l'une des mesures suivantes : réorienter ou déplacer l'antenne de réception; augmenter la distance entre l'équipement et le récepteur; brancher l'équipement sur une prise de courant qui n'appartient pas au circuit sur lequel le récepteur est branché; consulter le vendeur ou un technicien spécialisé en audiovisuel pour obtenir de l'aide.

Conservez ces instructions. Consultez-les fréquemment et utilisez-les pour donner les instructions nécessaires à d'autres personnes qui peuvent utiliser ce produit. Si vous prêtez ce produit à quelqu'un d'autre, donnez également à cette personne ces instructions pour éviter toute utilisation abusive du produit et tout risque de blessure.

INTRODUCTION

Félicitations pour votre choix de la SCIE À CHAÎNE EGO au Lithium- ion de 56 V. Elle a été conçue, développée et fabriquée pour vous donner le plus possible de fiabilité et de rendement


Si vous éprouvez un problème que vous n'arrivez pas à régler facilement, veuillez communiquer avec le centre de service à la clientèle d'EGO au 1 855 EGO-5656.

Le présent guide contient des renseignements importants pour assembler, utiliser et entretenir en toute sécurité votre produit. Lisez-le soigneusement avant d'utiliser le produit. Conservez ce guide à portée de main afin de pouvoir le consulter à tout moment.

NUMÉRO DE SÉRIE _____ DATE D'ACHAT _____

NOUS VOUS RECOMMANDONS DE NOTER LE NUMÉRO DE SÉRIE ET LA DATE D'ACHAT ET DE LES CONSERVER EN LIEU SÛR AFIN DE POUVOIR LES CONSULTER ULTÉRIEUREMENT.

CARACTÉRISTIQUES TECHNIQUES

Tension nominale	56V 
Longueur du guide-chaîne	500 mm (20 po)
Pas de chaîne	3/8"
Calibre	1,27 mm (0,050 po)
Nombre de maillons d'entraînement	69
Vitesse max. de la chaîne	25 m/s
Capacité du réservoir d'huile de la chaîne	8.5 oz (250ml)
Température de fonctionnement recommandée	-15°C-40°C (5°F-104°F)
Température de stockage recommandée	-20°C-70°C (-4°F-158°F)
Poids (sans le bloc-piles, la chaîne de la scie, la barre de guidage, le cache latéral, l'huile et la gaine de la chaîne)	3,9 kg / 8,6 lb
Indice de protection pour la pénétration	IPX4* (Protection contre les éclaboussures d'eau)

* **REMARQUE** : Le classement IPX4 est basé sur la machine et la pile utilisées ensemble en tant que système.

LISTE DES PIÈCES

NOM DE LA PIÈCE	QUANTITÉ
Chaîne de la scie	1
Gaine de la chaîne	1
Mode d'emploi	1

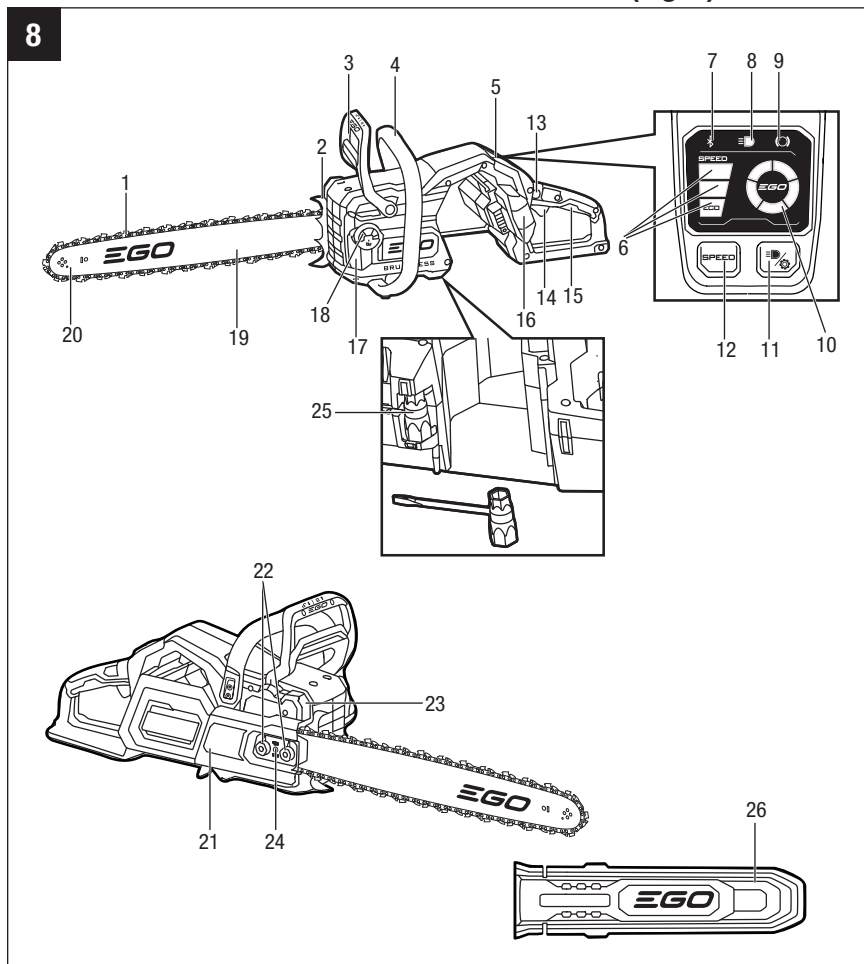
ACCESSOIRES

⚠ AVERTISSEMENT : N'utilisez que les accessoires énumérés ci-dessous. L'utilisation d'accessoires qui ne répondent pas aux spécifications des équipements d'origine pourrait causer une performance inadéquate et compromettre la sécurité.

NOM DE LA PIÈCE	NUMÉRO DE MODÈLE
Barre de guidage	AG2005
Chaîne de la scie	AC2005

DESCRIPTION

FAMILIARISEZ-VOUS AVEC VOTRE SCIE À CHAÎNE (Fig. 8)



1. Chaîne de la scie
2. Crampons d'appui pour le tronçonnage
3. Palette de frein anti-rebond de chaîne
4. Poignée avant
5. Écran ACL
6. Barres de réglage de la vitesse
7. Icône Bluetooth
8. Icône de phare
9. Icône de frein
10. Cercle de jauge de carburant
11. Bouton d'allumage des phares et du système Bluetooth
12. Bouton de réglage de la vitesse de la chaîne
13. Bouton de verrouillage en position désactivée
14. Interrupteur à gâchette
15. Poignée arrière
16. Bouton d'éjection du bloc-piles
17. Hublot d'inspection de l'huile
18. Capuchon du réservoir d'huile
19. Barre de guidage
20. Trou de lubrification
21. Cache latéral
22. Écrous de fixation du cache latéral
23. Phare à DEL
24. Boulon de réglage de la tension de la chaîne
25. Clé à douille à double bout
26. Gaine de la chaîne

⚠ AVERTISSEMENT: Pour utiliser ce produit en toute sécurité, vous devez comprendre les renseignements figurant sur le produit et dans le présent mode d'emploi et connaître le projet que vous entreprenez. Avant d'utiliser ce produit, familiarisez-vous avec toutes les caractéristiques de fonctionnement et consignes de sécurité.

Palette de frein anti-rebond de la chaîne

Sert à activer ou désactiver le frein de la chaîne. Cette poignée sert aussi de protection contre les branches saillantes et aide à empêcher que la main gauche ne touche à la chaîne de la scie si elle glisse de la poignée avant.

Interrupteur à gâchette

Met la scie à chaîne sous tension et hors tension, et règle la vitesse de la chaîne.

Bouton de verrouillage en position désactivée

Contribue à empêcher une activation accidentelle ou non autorisée de l'interrupteur à gâchette. Il doit être enfoncé avant que l'interrupteur à gâchette puisse être activé.

Capuchon du réservoir d'huile

Ferme le réservoir à huile de façon étanche.

Fenêtre d'inspection du niveau d'huile

Permet de voir le niveau d'huile dans le réservoir d'huile.

Chaîne de la scie

Une boucle de la chaîne ayant des dents de coupe qui coupent le bois quand elle est entraînée par le bloc-moteur de la scie à chaîne et supportée par la barre de guidage.

Gaine de la chaîne

La gaine de la chaîne empêche l'opérateur d'entrer en contact avec les dents tranchantes de la scie à chaîne lorsque l'outil n'est pas utilisé. Elle aide aussi à empêcher les chaînes d'être ébréchées ou endommagées pendant le transport ou le rangement de la scie à chaîne.

Barre de guidage

Supporte et guide la chaîne de la scie.

Poignée avant

La poignée de support pour la main gauche à l'avant de la scie à chaîne.

Poignée arrière

La poignée de support pour la main droite, située à l'arrière de la scie. **Tenez toujours la scie à chaîne avec votre main droite placée sur la poignée arrière et votre main gauche sur la poignée avant.**

Cache latéral

Couvre le maillon d'entraînement et sécurise la barre de guidage

Bouton de fixation du cache latéral

Couvre le pignon d'entraînement et sécurise la barre de guidage.

Bouton d'éjection du bloc-piles

Appuyez sur ce bouton pour détacher le bloc-piles de l'outil.

Phare à DEL

Le phare à DEL est situé à l'avant de la scie à chaîne. Cette fonction fournit un éclairage pour une meilleure visibilité avec deux niveaux de luminosité disponibles.

Griffes

La ou les dents pointues utilisées lors de l'abattage ou du sciage en travers pour faire pivoter la scie et maintenir sa position pendant le sciage afin d'empêcher le bois de glisser. Elles peuvent améliorer l'efficacité de la coupe.

Bouton de réglage de la vitesse de la chaîne

Fournit des modes de réglage de la vitesse de la chaîne rapide, intermédiaire et lent en fonction des différentes tâches à accomplir.

Bouton d'allumage du phare et du système Bluetooth

Modifie la luminosité du phare et prend en charge la connexion Bluetooth.

Écran ACL

Affiche le niveau de charge du bloc-piles et de la connexion Bluetooth, la luminosité du phare, la vitesse de la chaîne et l'état du frein de la scie à chaîne.

ASSEMBLAGE

⚠ AVERTISSEMENT: S'il y a des pièces manquantes ou endommagées, ne tentez pas d'utiliser cet article tant que ces pièces n'auront pas été remplacées. Le fait d'utiliser cet article avec des pièces endommagées ou manquantes pourrait entraîner des blessures graves.

⚠ AVERTISSEMENT: Ne tentez pas de modifier cet article ou de créer des accessoires qui ne sont pas recommandés pour cet article. Toute modification est considérée comme un usage inapproprié et peut créer une situation dangereuse susceptible d'entraîner des blessures graves.

⚠ AVERTISSEMENT: Pour empêcher une mise en marche accidentelle pouvant causer des blessures graves, enlevez toujours le connecteur de l'outil lorsque vous assemblez des pièces, procédez à des ajustements ou à son nettoyage ou lorsque l'outil n'est pas utilisé.

DÉBALLAGE

- Ce produit é été complètement assemblé avant l'expédition.
- Retirez soigneusement l'outil et toutes les pièces de l'emballage. Assurez-vous que toutes les pièces mentionnées sur la liste de l'emballage sont présentes.
- Inspectez soigneusement l'outil pour vérifier qu'il n'a pas été endommagé pendant l'expédition.
- Ne jetez pas le matériel d'emballage avant d'avoir inspecté soigneusement la scie à chaîne et de l'avoir fait fonctionner de manière satisfaisante.
- Si des pièces sont endommagées ou manquantes, veuillez contacter le service après-vente d'EGO pour obtenir de l'assistance.

FONCTIONNEMENT

⚠ AVERTISSEMENT : Ne laissez pas l'habitude de l'utilisation de ce produit vous empêcher de prendre toutes les précautions requises. N'oubliez jamais qu'une fraction de seconde d'inattention suffit pour entraîner de graves blessures.

⚠ AVERTISSEMENT : Utilisez toujours un équipement de protection des yeux indiquant qu'il est conforme à la norme ANSI Z87.1. Si vous ne portez pas un tel dispositif de protection, vous pourriez subir des blessures graves, y compris en conséquence de la projection d'objets dans vos yeux.

⚠ AVERTISSEMENT : N'utilisez pas d'attachements ou d'accessoires qui ne sont pas recommandés par le fabricant de ce produit. L'utilisation d'attachements ou d'accessoires qui ne sont pas recommandés peut causer des blessures graves.

Avant chaque utilisation, inspectez périodiquement l'intégralité du produit pour vous assurer qu'il n'y a pas de pièces endommagées, manquantes ou desserrées comme des vis, des écrous, des boulons, des capuchons, etc. Serrez à fond tous les dispositifs de fixation et capuchons, et ne vous servez pas de ce produit avant que toutes les pièces manquantes ou endommagées aient été remplacées.

APPLICATION

Vous pouvez utiliser ce produit pour l'abattage de base, l'ébranchage, l'élagage et la coupe du bois et des arbres.

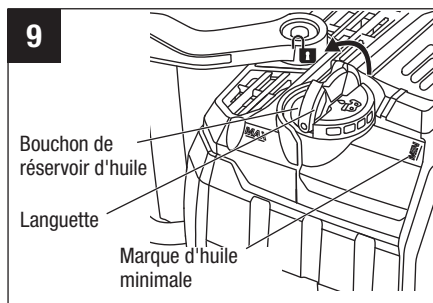
REMPLESSAGE DU RÉSERVOIR D'HUILE AVEC DU LUBRIFIANT POUR BARRES ET CHÂÎNES

⚠ AVERTISSEMENT : Pour éviter tout démarrage accidentel pouvant entraîner des blessures graves, débranchez toujours le bloc-piles de l'outil avant de remplir le réservoir avec de l'huile.

⚠ AVERTISSEMENT : Ne fumez pas et ne transportez pas de flamme ou de feu à proximité de l'huile ou de la scie à chaîne. De l'huile pourrait se renverser et causer un incendie.

AVIS : La scie à chaîne n'est pas remplie d'huile au moment de l'achat. Il est essentiel de remplir le réservoir d'huile pour chaîne avant de commencer à utiliser la scie. L'utilisation de la scie à chaîne sans huile pour chaîne ou lorsque le niveau d'huile

est inférieur à la marque minimum causera un endommagement de la scie à chaîne. La durée de vie de la chaîne et sa capacité de coupe dépendent d'une lubrification optimale. La chaîne est automatiquement lubrifiée avec de l'huile de chaîne pendant le fonctionnement, s'il y a suffisamment d'huile dans le réservoir d'huile.



1. Détachez le bloc-piles de la scie à chaîne.
2. Nettoyez le capuchon du réservoir d'huile et la zone adjacente pour vous assurer qu'il n'y aura pas de saletés qui tomberont dans le réservoir d'huile.
3. Posez la scie à chaîne sur une surface ferme et plate de telle façon que le capuchon du réservoir d'huile soit orienté vers le haut. Retournez la languette du capuchon du réservoir d'huile et tournez le capuchon du réservoir d'huile dans le sens contraire des aiguilles d'une montre pour le retirer (Fig. 9).
4. Versez l'huile pour barres et chaînes dans le réservoir en prenant les précautions nécessaires. Remplissez jusqu'au trait MAX, puis essuyez l'excédent d'huile.
5. Remettez le capuchon en place, placez la scie en position verticale et vérifiez le niveau par la fenêtre d'inspection de l'huile. L'huile devrait remplir la fenêtre.

AVIS :

- Utilisez l'huile pour barre et chaîne EGO AOL3200 ou AOL1000 pour obtenir les meilleurs résultats. Elle est conçue spécifiquement pour produire peu de frottements et permettre des coupes rapides.
- N'utilisez jamais de l'huile ou d'autres lubrifiants qui ne sont pas conçus spécifiquement pour une utilisation sur des barres et des chaînes. Ceci pourrait causer une obstruction du système d'huile, qui risquerait d'entraîner une usure prématurée de la barre et de la chaîne.
- Vérifiez fréquemment le niveau d'huile, et remplissez à nouveau le réservoir lorsque le niveau d'huile tombe en dessous du trait indiquant le niveau minimum. N'utilisez jamais la scie à chaîne si l'huile n'est pas visible.
- N'utilisez pas d'huile sale, usagée ou contaminée par ailleurs. Ceci pourrait endommager la barre ou la chaîne.

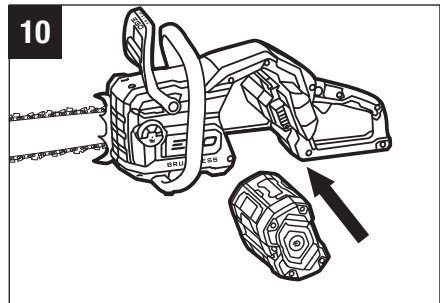
- Il est normal que de l'huile suinte de la scie quand celle-ci n'est pas utilisée. Pour empêcher de tels suintements, vidangez l'huile du réservoir après chaque utilisation, puis laissez fonctionner la scie à vide pendant une minute. Lorsque vous rangez l'outil en pensant ne pas vous en servir pendant une longue période, veillez à ce que la chaîne soit légèrement lubrifiée. Cela évitera la rouille sur la chaîne et le pignon de la barre.
- Pour préserver les ressources naturelles, veuillez recycler ou éliminer l'huile conformément aux règlements applicables. Consultez votre service municipal responsable de la gestion des déchets pour déterminer quelles sont les options de recyclage et/ou d'élimination possibles.

INSTALLATION ET RETRAIT DU BLOC-PILE

AVIS : Le cercle de la jauge de carburant sur l'écran ACL indique le niveau de charge des piles (Fig. 8). Chargez complètement votre bloc-piles avant de vous en servir pour la première fois.

Installation du bloc-piles (Fig. 10)

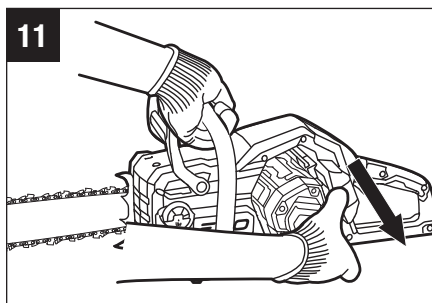
1. Alignez les nervures du bloc-piles sur les fentes de montage du port des piles de la scie à chaîne.
2. Faites glisser le bloc-piles à l'intérieur de l'outil jusqu'à ce qu'il se mette dans la position correcte (vous entendrez un dé clic).



⚠ AVERTISSEMENT : Assurez-vous que le loquet de verrouillage sur la scie à chaîne est bien en place et que le bloc-piles est bien assujéti à la scie à chaîne avant de commencer à l'utiliser. Si le bloc-piles n'est pas bien fixé en place, il risque de tomber et de provoquer des blessures graves.

Retrait du bloc-piles (Fig. 11)

⚠ AVERTISSEMENT : Contrôlez toujours la position de vos pieds et les endroits où se trouvent les enfants et les animaux domestiques avant d'appuyer sur le bouton d'éjection des piles. La chute du bloc-piles pourrait causer des blessures graves. Ne retirez **JAMAIS** le bloc-piles lorsque vous vous trouvez à un endroit surélevé.



1. Tenez le bloc-piles dans la paume de votre main.
2. Appuyez sur le bouton d'éjection des piles avec votre pouce pour détacher le bloc-piles du loquet de verrouillage.
3. Saisissez le bloc-piles et détachez-le de la scie à chaîne.

⚠ AVERTISSEMENT : Pour éviter toute blessure grave, retirez toujours le bloc-piles et gardez les mains à l'écart du bouton de verrouillage en position désactivée et de l'interrupteur à gâchette lorsque vous portez ou transportez la scie à chaîne.

MISE EN MARCHÉ ET ARRÊT DE LA SCIE À CHAÎNE

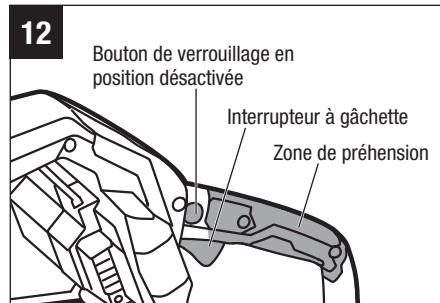
Avant de mettre la scie à chaîne en marche :

1. Retirez le bloc-pile.
2. Assurez-vous que la chaîne est correctement montée et que sa tension est correcte conformément au chapitre intitulé « **RÉGLAGE DE LA TENSION DE LA CHAÎNE** » plus loin dans ce mode d'emploi
3. Vérifier que le cache latéral est bien appuyé contre la barre de guidage et la chaîne de la scie, qu'il n'est pas desserré et qu'il n'est pas endommagé.
4. Vérifiez le niveau de l'huile et remplissez le réservoir selon les besoins. Assurez-vous que la chaîne est bien lubrifiée.
5. Vérifiez les dents de coupe de la chaîne de la scie pour vous assurer qu'elles sont bien affûtées.
6. Assurez-vous que la palette du frein anti-rebond de la chaîne se déplace facilement vers la position de freinage et qu'elle se déplace facilement entre la position de freinage et la position de fonctionnement.

7. Tenez toujours la scie à chaîne avec les deux mains : la main droite placée sur la poignée arrière et la main gauche sur la poignée avant.
8. Assurez-vous que vous êtes solidement sur vos pieds et bien équilibré(e). Regardez s'il n'y a pas d'obstacles tels que des souches de troncs d'arbres, des acines et des fossés qui pourraient vous faire trébucher ou tomber.
9. Tenez-vous debout tout droit et tenez la scie à chaîne dans une position détendue en vous assurant que la chaîne de la scie ne touche pas le sol ou d'autres objets.

Mise en marche de la scie à chaîne (Fig. 12)

1. Installez le bloc-piles.
2. Assurez-vous qu'il n'y a pas dans les environs immédiats d'objets ou d'obstructions qui pourraient entrer en contact avec la barre et la chaîne.
3. Tirez la palette du frein anti-rebond de chaîne vers la poignée avant, en position de fonctionnement (voir Fig. 1).
4. Saisissez fermement la poignée avant de la main gauche et la poignée arrière de la main droite.



⚠ AVERTISSEMENT : Pour éviter tout risque de blessure, utilisez toujours la scie à chaîne en saisissant la zone de préhension de la poignée arrière avec votre main droite.

5. Appuyez et maintenez enfoncé le bouton de verrouillage en position désactivée avec le pouce de votre main droite, puis appuyez sur l'interrupteur à gâchette avec les doigts de votre main droite pour faire démarrer la scie.
6. Relâchez le bouton de verrouillage en position d'arrêt et continuez à comprimer l'interrupteur à gâchette pour que le taille-bordure/coupe-herbe continue à fonctionner. Plus l'interrupteur à gâchette est enfoncé, plus la vitesse de la chaîne est élevée.

⚠ AVERTISSEMENT : Ne tentez jamais de mettre la scie à chaîne en marche lorsque la chaîne de la scie est au milieu d'une coupe ou en contact avec une autre surface.

Arrêt de la scie à chaîne

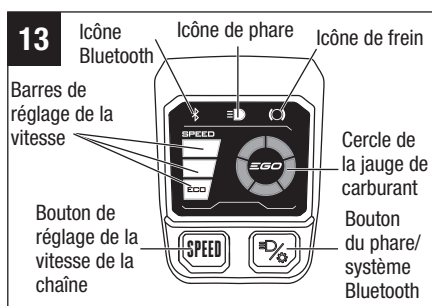
1. Éloignez la scie à chaîne de la zone de coupe, puis relâchez la gâchette de l'interrupteur pour arrêter la scie à chaîne.
2. Poussez la palette du frein anti-rebond de la chaîne vers l'avant en position de freinage pour engager le frein de la chaîne (Fig. 1).

⚠ AVERTISSEMENT : Retirez toujours le bloc-piles de la scie à chaîne pendant les pauses et après avoir fini votre travail.

CHANGEMENT DU MODE DE VITESSE (Fig. 13)

Cette machine dispose de trois modes de vitesse. Chaque mode de vitesse limite la vitesse maximale de la scie à chaîne.

Le mode de vitesse change à chaque fois que l'on appuie sur le bouton de mode de réglage de la vitesse de la chaîne.



Les barres de vitesse sur l'écran ACL indiquent le mode de vitesse actif : une barre pour une vitesse faible, deux barres pour une vitesse intermédiaire et trois barres pour une vitesse élevée. Le mode de vitesse lente (ECO) permet un meilleur contrôle de la machine et une plus longue autonomie de fonctionnement par charge.

REMARQUE : En cas d'utilisation d'un bloc-piles EGO de 2,5 Ah ou moins, seul le mode ECO est disponible. Et l'utilisation d'un bloc-piles EGO d'une capacité inférieure à 6,0 Ah ne vous permettra pas d'atteindre une vitesse élevée. Pour obtenir la meilleure performance possible, nous recommandons l'utilisation de blocs-piles EGO de 6,0 Ah (p. ex., BA3360T/BA3360T-FC) ou plus.


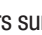
REMARQUE : La fonction de mémorisation de la vitesse de la machine retient le dernier réglage de la vitesse et l'active lors de la prochaine mise en marche de la machine.

REMARQUE : L'écran ACL s'allume lorsque l'on appuie sur la gâchette, sur le bouton de réglage de la vitesse ou sur le bouton du phare/système Bluetooth. Il s'éteint automatiquement après environ 30 secondes d'inactivité de la scie à chaîne.

PHARE À DEL (Fig. 14)

Le phare à DEL est situé à l'avant du boîtier de la scie à chaîne. Le phare fournit un éclairage pour une meilleure visibilité et dispose de deux niveaux de luminosité.

Pour allumer le phare, appuyez sur le bouton du phare/système Bluetooth. Le phare s'allume en mode de basse

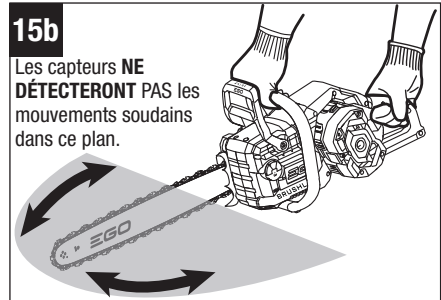
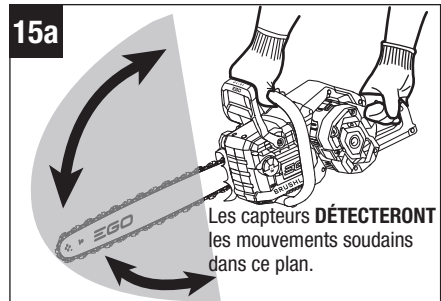
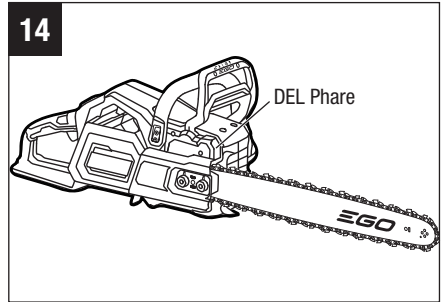
luminosité et l'icône de DEL  apparaît sur l'écran ACL. Appuyez à nouveau sur le bouton du phare/système Bluetooth pour passer au niveau de luminosité élevé, et l'icône de DEL  apparaîtra alors sur l'écran ACL (Fig. 13).


Pour éteindre le phare, appuyez une troisième fois sur le bouton du phare/système Bluetooth, et l'icône de DEL disparaîtra de l'écran ACL.

SYSTEME DE FREIN A CHAÎNE OMNI-DIRECTIONNELLE (Fig. 15a et Fig. 15b)

⚠ AVERTISSEMENT : Le système de frein à chaîne omnidirectionnelle n'est pas destiné à remplacer le frein à chaîne standard/traditionnel. L'utilisateur ne doit jamais se fier à cette fonction pendant l'utilisation de la scie à chaîne pour se protéger contre le risque de choc en retour. Respectez toujours les consignes de sécurité relatives à l'atténuation du risque de choc en retour, qui figurent dans la section intitulée « Avertissements » de ce mode d'emploi.

La scie à chaîne est équipée d'un système de frein à chaîne omnidirectionnelle qui utilise des capteurs intégrés pour surveiller le mouvement de la scie à chaîne et enclenche le frein si un mouvement soudain de la scie à chaîne dans le plan de la barre est détecté.



Lorsque le système de frein à chaîne omnidirectionnelle est activé et arrête la scie à chaîne, l'icône du frein  clignote sur l'écran ACL (Fig. 13). Relâchez la gâchette de l'interrupteur, retirez la scie à chaîne et la barre de guidage du bois, puis remettez la scie à chaîne en marche.

REMARQUE : Les capteurs ne détecteront les mouvements soudains de la scie que dans le plan de la barre de guidage. Les capteurs ne détecteront aucun mouvement soudain de la scie sur les côtés (c'est-à-dire perpendiculairement au plan de la barre de guidage).

APPLICATION EGO CONNECT

L'application EGO connect offre des fonctions étendues pour votre produit EGO.

- Informations plus étendues sur le produit.
- Informations et aide concernant les pièces détachées et l'entretien du produit.

Technologie sans fil Bluetooth®

Les produits dotés de la technologie sans fil Bluetooth® intégrée peuvent se connecter à des appareils mobiles et activer des fonctions supplémentaires à partir de l'application EGO connect.

Le symbole Bluetooth® s'allume lorsque la machine est connectée à votre appareil mobile.



Pour commencer à utiliser l'application EGO Connect

1. Téléchargez gratuitement l'application EGO Connect depuis l'App Store d'Apple ou sur Google Play.
2. Connectez-vous ou créez un compte dans l'application EGO connect.
3. Suivez les instructions de l'application EGO connect pour connecter et enregistrer le produit.

PRÉPARATION POUR LA COUPE

Reportez-vous à la section « **Consignes de sécurité importantes** » plus haut dans ce mode d'emploi pour déterminer quel est l'équipement de sécurité approprié.

Précautions à prendre dans la zone de travail

- Ne coupez que du bois ou des matériaux fabriqués à partir de bois. Ne coupez pas de tôle, de plastique, de maçonnerie ou de matériaux de construction autres que du bois.
- Ne laissez jamais des enfants utiliser la scie à chaîne.
- Ne permettez à personne d'utiliser cette scie à chaîne sans avoir lu ce Mode d'emploi ou sans avoir reçu des instructions adéquates pour l'utilisation sûre et correcte de cette scie à chaîne.
- Lorsque vous abattez un arbre, gardez tout le monde – assistants, spectateurs, enfants et animaux – à une distance de sécurité par rapport à la zone de coupe. Pendant les opérations d'abattage, la distance de sécurité doit être au moins égale à deux fois la hauteur des plus grands arbres de la zone d'abattage. Pendant les opérations de sciage en travers, faites respecter une distance minimale de 4,5 m / 15 pi entre les travailleurs. Les arbres ne doivent pas être abattus d'une manière qui mettrait en danger une personne, ou pourrait heurter une ligne électrique ou causer des dommages matériels. Si un arbre entre en contact avec une ligne électrique, éloignez-vous de l'arbre et de la ligne, et prévenez immédiatement la compagnie d'électricité.
- Coupez toujours avec les deux pieds sur un sol ferme pour ne pas risquer de perdre l'équilibre.
- Ne coupez pas au-dessus de la hauteur de la poitrine, car une scie tenue plus haut est difficile à contrôler contre les forces de rebond.
- N'abattez pas d'arbres à proximité de fils électriques ou de bâtiments.
- Ne coupez que lorsque la visibilité et la lumière sont suffisantes pour que vous puissiez voir clairement.

Préhension appropriée des poignées

Portez des gants antidérapants pour assurer la meilleure prise et la meilleure protection possibles.

La scie étant posée sur une surface plane et ferme, tenez-la fermement des deux mains.

Saisissez toujours la poignée avant de la main gauche et la poignée arrière de la main droite.

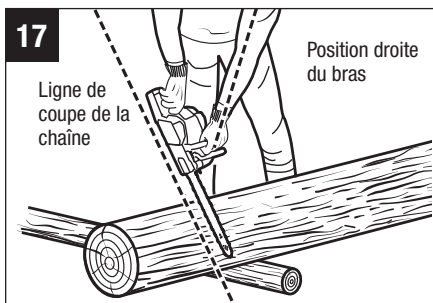
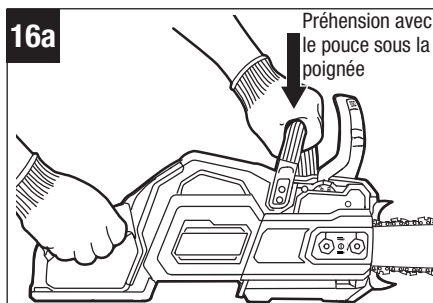
Les doigts doivent entourer la poignée, avec le pouce enroulé en dessous de la poignée avant (Fig. 16a).

⚠ AVERTISSEMENT : N'utilisez jamais une prise pour gaucher (croisée) ou une position qui placerait votre corps ou votre bras en travers de la ligne de coupe de la chaîne.

⚠ AVERTISSEMENT : N'actionnez pas l'interrupteur à gâchette de variateur de vitesse avec la main gauche en tenant la poignée avant avec la main droite. Ne laissez jamais une partie quelconque de votre corps se trouver dans la ligne de coupe de la chaîne lorsque vous utilisez une scie à chaîne (Fig. 16b).

Position de coupe correcte (Fig. 17)

- Les deux pieds doivent reposer sur un sol ferme de façon que votre poids soit réparti uniformément entre eux.
- Le bras gauche doit être tendu, avec le coude bloqué en place. Cela permet de résister aux forces pouvant être générées par un effet de rebond.
- Votre corps doit toujours se trouver à gauche de la ligne de coupe de la chaîne.



COUPE

Coupe de base

⚠ AVERTISSEMENT : Soyez toujours sûr(e) de votre position et tenez fermement la scie à chaîne des deux mains lorsque le moteur tourne.

Exercez-vous en coupant quelques petites bûches en utilisant la technique suivante pour vous habituer à l'utilisation de votre scie avant de commencer une opération de sciage importante :

1. Mettez-vous dans la bonne position devant le bois, avec la scie hors tension.
2. Appuyez sur le bouton de verrouillage en position désactivée et appuyez sur la gâchette pour faire démarrer la scie à chaîne. Attendez que la chaîne atteigne sa vitesse de croisière avant de commencer la coupe.
3. Commencez à couper en appuyant légèrement la barre de guidage contre le bois. N'exercez qu'une légère pression, en laissant la scie faire le travail.
4. Maintenez une vitesse régulière tout au long de la coupe, en relâchant la pression juste avant la fin de la coupe.
5. Relâchez la gâchette dès que la coupe est terminée, ce qui permet à la chaîne de s'arrêter.

⚠ AVERTISSEMENT : Lorsque la chaîne de scie est arrêtée en raison d'un pincement pendant la coupe, relâchez l'interrupteur à gâchette ; retirez la chaîne et la barre de guidage du bois, puis redémarrez la scie à chaîne.

⚠ AVERTISSEMENT : Ne tirez pas sur la chaîne de la scie avec votre main lorsqu'elle est immobilisée par de la sciure. Des blessures graves peuvent survenir si la scie à chaîne démarre accidentellement. Appuyez la chaîne de la scie contre le bois, et déplacez la scie d'avant en arrière pour évacuer les débris. Retirez toujours le bloc-piles avant de nettoyer la scie. Portez des gants de protection épais lorsque vous manipulez la chaîne de scie.

⚠ AVERTISSEMENT : Ne mettez jamais la scie à chaîne en marche quand elle est en contact avec le bois. Laissez toujours la scie à chaîne atteindre sa vitesse maximale avant de l'appliquer sur le bois.

ABATTAGE D'UN ARBRE

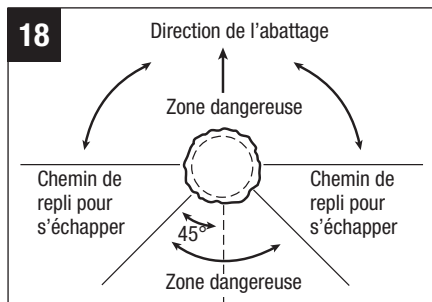
Conditions dangereuses

⚠ AVERTISSEMENT : Lors de l'abattage d'un arbre, il est important que vous teniez compte des avertissements suivants afin d'éviter d'éventuelles blessures graves.

- N'abattez pas d'arbres pendant les périodes de vent fort ou de fortes précipitations. Attendez que les conditions météorologiques dangereuses aient pris fin.
- N'abattez pas les arbres qui penchent à des angles extrêmes ou les grands arbres dont des branches sont pourries, dont l'écorce est détachée ou dont des troncs sont creux. Au lieu de cela, poussez ou traînez ces arbres avec des équipements lourds, puis coupez-les.
- N'abattez pas d'arbres à proximité de fils électriques ou de bâtiments.
- Vérifiez que l'arbre ne comporte pas de branches endommagées ou mortes qui pourraient tomber et vous frapper pendant l'abattage.
- Jetez périodiquement un coup d'œil au sommet de l'arbre pendant la coupe vers l'arrière pour vous assurer que l'arbre va tomber dans la direction souhaitée.
- Si l'arbre commence à tomber dans la mauvaise direction, ou si la scie se coince ou s'accroche pendant la chute, laissez la scie et éloignez-vous rapidement pour vous sauver la vie !

Préparation de l'abattage des arbres

- Lorsque des opérations de sciage en travers et d'abattage sont effectuées par deux personnes ou plus en même temps, l'opération d'abattage doit être séparée de l'opération de sciage en travers par une distance d'au moins deux fois la hauteur de l'arbre à abattre. Les arbres ne doivent pas être abattus d'une manière qui mettrait en danger une personne, qui pourrait heurter une ligne électrique ou causer des dommages matériels. Si un arbre entre en contact avec une ligne électrique, éloignez-vous de l'arbre et de la ligne, et prévenez immédiatement la compagnie d'électricité.
- L'opérateur de la scie à chaîne doit se tenir du côté le plus élevé de la pente, car l'arbre risque de rouler ou de glisser vers le bas de la pente après son abattage.



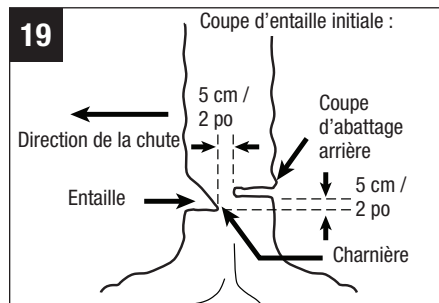
- Avant de commencer à couper, choisissez votre itinéraire de fuite (ou vos itinéraires, au cas où l'itinéraire prévu serait bloqué). Dégagez la zone immédiate autour de l'arbre et assurez-vous qu'il n'y a pas d'obstruction qui risquerait de vous empêcher de vous échapper en cas de besoin. Dégagez un chemin de repli sûr à environ 135° par rapport à la trajectoire de chute prévue. Le chemin de repli doit s'étendre en arrière et en diagonale par rapport à la trajectoire de chute prévue. Voir Fig. 18.
- Avant de commencer l'abattage, tenez compte de l'inclinaison naturelle de l'arbre, de l'emplacement des plus grosses branches et de la direction du vent pour déterminer dans quelle direction l'arbre va tomber.
- Enlevez la terre, les pierres, l'écorce détachée, les clous, les agrafes et le fil de fer pouvant se trouver sur l'arbre où les coupes d'abattage doivent être effectuées.

Coupe d'entaille initiale

Faites une entaille d'un tiers du diamètre de l'arbre, perpendiculairement à la direction de la chute, comme illustré à la Fig. 19. Faites d'abord l'entaille horizontale inférieure. Cela permet d'éviter le pincement de la chaîne de la scie ou de la barre de guidage lors de la réalisation de la deuxième entaille.

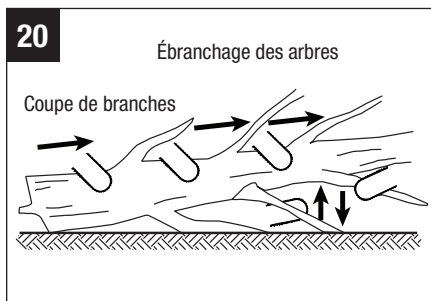
Coupe d'abattage arrière

1. Faites la coupe d'abattage arrière au moins 5 cm / 2 po plus haut que la coupe d'entaille horizontale (voir Fig. 19). Maintenez la coupe d'abattage parallèle à la coupe d'entaille horizontale. Effectuez la coupe d'abattage arrière de manière à ce qu'il reste suffisamment de bois pour servir de charnière. Le bois de la charnière empêche l'arbre de se tordre et de tomber dans la mauvaise direction. Ne coupez pas à travers la charnière.



2. Lorsque la coupe d'abattage s'approche de la charnière, l'arbre devrait commencer à tomber. S'il y a un risque que l'arbre ne tombe pas dans la direction souhaitée ou qu'il bascule en arrière et bloque la chaîne de la scie, arrêtez la coupe avant la fin de l'abattage et utilisez des cales en bois, en plastique ou en aluminium pour ouvrir la coupe et faire tomber l'arbre le long de la trajectoire de chute souhaitée.

- Lorsque l'arbre commence à tomber, retirez la scie à chaîne de la coupe, arrêtez le moteur, posez la scie à chaîne, puis utilisez le chemin de repli prévu. Observez attentivement les chutes de branches aériennes et faites attention aux endroits où vous mettez les pieds.



ÉBRANCHAGE

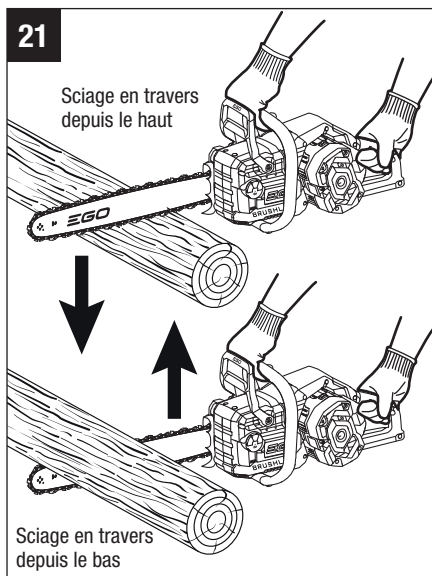
L'ébranchage consiste à enlever les branches d'un arbre tombé. Lors de l'ébranchage, laissez les plus grosses branches en place pour soutenir le tronc au-dessus du sol. Enlevez les petites branches en une seule coupe, comme illustré à la Fig. 20. Les branches sous tension doivent être coupées de bas en haut pour éviter de bloquer la scie à chaîne.

⚠ AVERTISSEMENT : Il existe un risque extrême de rebond pendant l'opération d'ébranchage. Soyez extrêmement prudent(e) et évitez de toucher le tronc ou d'autres branches avec l'extrémité de la barre de guidage.

SCIAGE D'UNE BÛCHE EN TRAVERS (Fig. 21) :

Le sciage en travers consiste à couper une bûche en longueurs. Il est important de s'assurer que vous êtes fermement sur vos pieds et que votre poids est réparti uniformément sur les deux pieds. Dans la mesure du possible, la bûche doit être soulevée et soutenue au-dessus du sol par l'utilisation de branches, de bûches ou de cales. Suivez les instructions simples pour une coupe facile.

⚠ AVERTISSEMENT : Gardez la zone de coupe bien dégagée. Veillez à ce qu'aucun objet ne puisse entrer en contact avec la pointe de la barre de guidage et la chaîne pendant la coupe – cela pourrait provoquer un rebond.



Sciage en travers depuis le haut

Commencez par le côté supérieur de la bûche, le bas de la scie étant placé contre la bûche ; exercez une légère pression vers le bas. Notez que la scie aura tendance à s'éloigner de vous.

Sciage en travers depuis le bas

Commencez par le côté inférieur de la bûche, le haut de la scie étant placé contre la bûche ; exercez une légère pression vers le haut. Lors du sciage en travers depuis le bas, la scie aura tendance à se repousser vers vous. Soyez préparé(e) à cette réaction, et tenez fermement la scie pour en garder le contrôle.

- Lorsque la bûche est soutenue sur toute sa longueur, elle doit être coupée depuis le haut (sciage en travers depuis le haut) (Fig. 22).
- Lorsque la bûche n'est soutenue que par une seule extrémité, coupez 1/3 du diamètre de la face inférieure (sciage en travers depuis le bas). Effectuez ensuite la coupe de finition en effectuant un sciage en travers depuis le haut pour rejoindre la première coupe (Fig. 23).
- Lorsque la bûche est soutenue aux deux extrémités, coupez 1/3 de ce diamètre depuis le haut. Ensuite, effectuez la coupe finale en coupant les 2/3 inférieurs depuis le bas pour rejoindre la première coupe (Fig. 24).

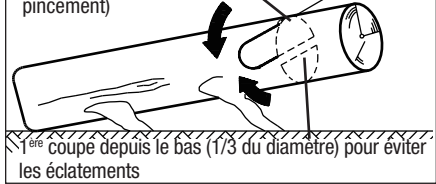
22 Bûche supportée sur toute sa longueur

Coupez depuis le haut (en surplomb) Évitez de couper dans la terre.



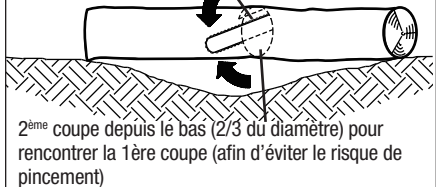
23 Bûche supportée par une extrémité

2^{ème} coupe depuis le haut (2/3 du diamètre) pour rencontrer la 1^{ère} coupe (afin d'éviter le risque de pincement)

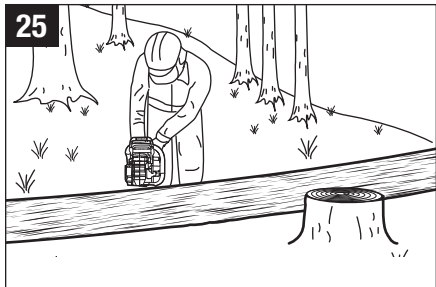


24 Bûche supportée à ses deux extrémités

1^{ère} coupe depuis le haut (1/3 du diamètre) pour éviter les éclatements



25



- Lorsque vous faites du sciage en travers sur une pente, tenez-vous toujours du côté qui est plus haut que l'endroit où se trouve la bûche (Fig. 25).
- Pour garder un contrôle total lors de la coupe, relâchez la pression de coupe vers la fin de la coupe sans relâcher la prise sur les poignées de la scie à chaîne. Ne laissez pas la chaîne entrer en contact avec le sol. Après avoir terminé la coupe, attendez que la chaîne de la scie s'arrête avant de déplacer la scie à chaîne. Arrêtez toujours le moteur avant de vous déplacer d'arbre en arbre.

MAINTENANCE

⚠ AVERTISSEMENT : Pour éviter des blessures graves, retirez toujours le bloc-piles de la scie à chaîne lorsque vous l'inspectez ou la nettoyez, ou quand vous effectuez des travaux de maintenance. Un outil alimenté par des piles dont le bloc-piles est inséré est toujours prêt à fonctionner, et il pourrait se déclencher accidentellement.

⚠ AVERTISSEMENT : Lors de toute réparation, n'utilisez que des pièces de rechange identiques. L'utilisation de toutes autres pièces de rechange pourrait créer un danger ou endommager le produit.

⚠ AVERTISSEMENT : Portez toujours des gants épais lorsque vous manipulez la barre et la chaîne. Faites attention à la chaîne de la scie, et protégez-vous les mains pour ne pas qu'elles risquent d'être blessées par la chaîne de la scie.

⚠ AVERTISSEMENT : Utilisez toujours un équipement de protection des yeux avec écrans latéraux indiquant qu'il est conforme à la norme ANSI Z87.1. Si vous ne portez pas un tel équipement de protection, vous pourriez subir des blessures graves, y compris en conséquence de la projection d'objets dans vos yeux.

MAINTENANCE GÉNÉRALE

Évitez d'utiliser des solvants lorsque vous nettoyez des pièces en plastique. La plupart des plastiques sont susceptibles d'être endommagés par divers types de solvants commerciaux, et ils pourraient l'être si vous les utilisez. Utilisez des chiffons propres pour retirer les saletés, la poussière, l'huile, la graisse, etc.

⚠ AVERTISSEMENT : Ne laissez jamais de liquide de frein, d'essence, de produits à base de pétrole, d'huiles pénétrantes, etc. entrer en contact avec des composants en plastique. Les produits chimiques peuvent endommager, affaiblir ou détruire le plastique, ce qui pourrait causer des blessures graves.

⚠ AVERTISSEMENT : Lors du nettoyage de la scie à chaîne, NE l'immergez PAS dans l'eau ou dans d'autres liquides.

NETTOYAGE

- Après chaque utilisation, nettoyez les débris de la chaîne de la scie et de la barre de guidage avec une brosse non abrasive. Essuyez la surface de la scie à chaîne avec un chiffon propre humidifié avec une solution de savon doux.

- Retirez le cache latéral, puis utilisez une brosse douce pour éliminer les débris de la barre de guidage, de la chaîne de scie, du pignon et du cache latéral.
- Nettoyez toujours les copeaux de bois, la poussière de la scie et les saletés de la rainure de la barre de guidage lorsque vous remettez la chaîne de la scie en place.

Toutes les opérations d'entretien de la scie à chaîne, à l'exception de celles qui sont mentionnées dans ces instructions de maintenance, doivent être effectuées par des techniciens qualifiés pour la réparation d'une scie à chaîne.

REPLACEMENT DE LA BARRE ET LA CHAÎNE

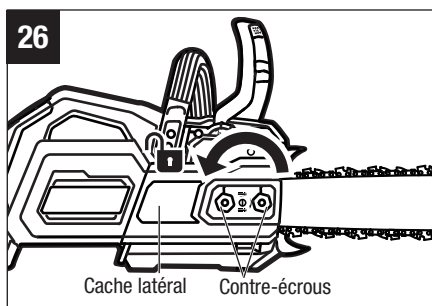
⚠ AVERTISSEMENT : Portez toujours des gants lorsque vous manipulez la barre et la chaîne ; ces éléments sont tranchants et peuvent contenir des irrégularités.

⚠ AVERTISSEMENT : Ne touchez ni n'ajustez jamais la chaîne pendant que le moteur tourne. La chaîne de la scie est très tranchante; portez toujours des gants de protection lorsque vous en effectuez l'entretien.

AVIS : Lors du remplacement de la barre de guidage et de la chaîne, utilisez toujours la combinaison indiquée dans la section intitulée « **Barre et chaîne recommandées pour cette scie à chaîne** », ci-après.

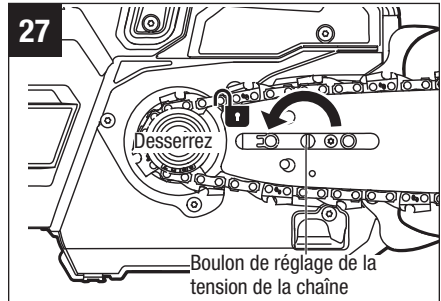
Démontage de la barre de guidage et de la chaîne usées

1. Retirez la pile et attendez que la scie refroidisse. Assurez-vous que le capuchon du réservoir d'huile est bien serré pour éviter tout risque de fuite d'huile.
2. Placez la scie à chaîne sur le côté sur une surface solide et plane, de façon à ce que le panneau latéral pointe vers le haut (Fig. 26).
3. Portez des gants. Retirez le cache latéral en tournant les deux contre-écrous dans le sens inverse des aiguilles d'une montre à l'aide de la clé à douille à double extrémité (Fig. 8) fournie. Nettoyez le cache latéral avec un tissu sec.



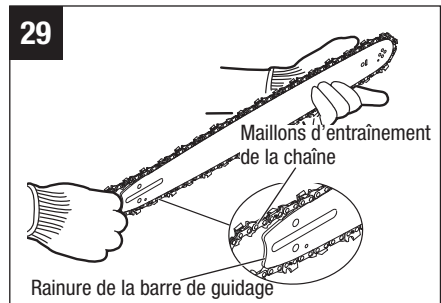
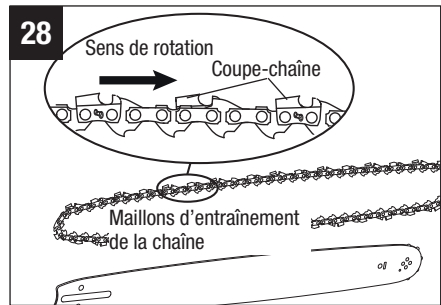
4. Tournez le boulon de réglage de la tension de la chaîne dans le sens inverse des aiguilles d'une montre avec l'extrémité plate de la clé à douille à double extrémité fournie pour desserrer la chaîne (Fig. 27).
5. Retirez la barre et la chaîne usées de la surface de montage.

AVIS : Le moment est bien choisi pour vérifier l'absence d'usure ou de dommages excessifs sur le pignon d'entraînement.



Assemblage de la nouvelle barre de guidage et de la nouvelle chaîne

1. Faites une boucle sur une surface plane avec la nouvelle chaîne en redressant tout pli (Fig. 28)
2. Insérez les maillons d'entraînement dans la rainure de la barre de guidage. Positionnez la chaîne de la scie de façon qu'une boucle se forme à l'arrière de la barre de guidage (Fig. 29).
3. Maintenez la chaîne en position sur la barre de guidage et placez la boucle autour du pignon d'entraînement de la scie.



AVIS : Lors de l'enroulement de la chaîne de la scie sur de la barre de guidage, assurez-vous, après avoir monté la barre de guidage sur la scie, que la direction des éléments tranchants de la chaîne de la scie correspond à la flèche indiquant le sens de rotation et la direction du mouvement de ces éléments tranchants sur le boîtier (Fig. 30a). Si elles sont orientées dans des sens opposés, remontez la chaîne de la scie sur la barre de guidage avec les flèches orientées dans le même sens.

4. Remplacez le cache latéral sur le boîtier de la scie à chaîne et serrez à fond les deux contre-écrous.

REMARQUE : Tendez la chaîne en suivant les instructions du chapitre suivant intitulé « **RÉGLAGE DE LA TENSION DE LA CHAÎNE** ».

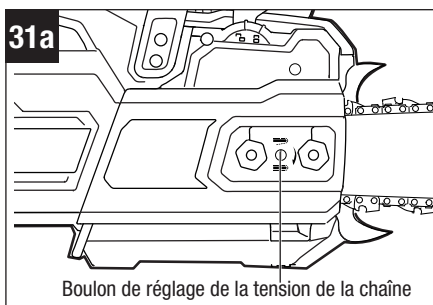
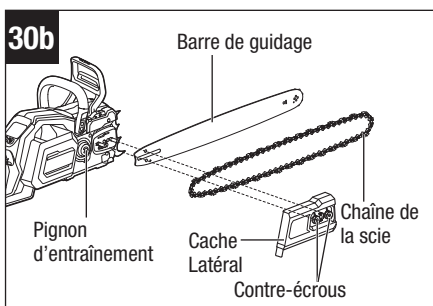
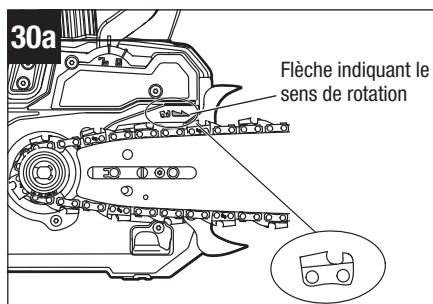
5. Faites tourner la chaîne à la main pour vérifier qu'elle est correctement montée et qu'elle n'accroche pas. Sinon, remontez la chaîne et la barre.

⚠ MISE EN GARDE : La chaîne de la scie doit être correctement tendue avant d'être utilisée.

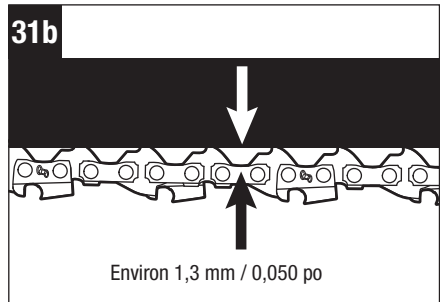
Réglage de la tension de la chaîne

1. Arrêtez le moteur et retirez le bloc-piles avant de régler la tension de la chaîne.
2. Tournez le boulon de réglage de la tension de la chaîne dans le sens des aiguilles d'une montre ou dans le sens inverse pour régler la tension de la chaîne en fonction des marques sur le cache latéral autour du boulon de réglage de la tension de la chaîne (Fig. 31a) jusqu'à ce que la chaîne soit bien calée contre la barre de guidage avec les maillons d'entraînement dans la rainure de la barre de guidage.

- Une chaîne froide est correctement tendue lorsqu'il n'y a pas d'affaissement sur la face inférieure de la barre de guidage et quand la chaîne est bien serrée, mais en pouvant être tournée à la main sans se bloquer. La chaîne doit être retendue chaque fois que les méplats des maillons d'entraînement ne se trouvent pas dans la rainure de la barre.



- Pendant le fonctionnement normal de la scie, la température de la chaîne augmente. Les maillons d'entraînement d'une chaîne chaude correctement tendue dépassent d'environ 1,3 mm (0,050 po) la rainure de la barre de guidage (Fig. 31b).



AVIS : Les nouvelles chaînes ont tendance à s'étirer. Vérifiez fréquemment la tension de la chaîne et réglez-la si nécessaire.

AVIS : Une chaîne tendue lorsqu'elle est chaude peut être trop serrée lorsqu'elle refroidit. Vérifiez la tension à froid avant la prochaine utilisation.

ENTRETIEN DE LA CHAÎNE

⚠ AVERTISSEMENT : Portez toujours des gants lorsque vous manipulez la chaîne de la scie. La chaîne est tranchante et peut présenter des irrégularités.

N'utilisez que des chaînes à faible effet de rebond sur cette scie. Cette chaîne à coupe rapide permet de réduire l'effet de rebond lorsqu'elle est correctement entretenue.

Une chaîne bien affûtée coupe le bois sans effort, même si vous exercez une pression minimale. N'utilisez jamais une chaîne émoussée ni endommagée. Une gouge émoussée entraîne une augmentation de l'effort physique demandé et de la vibration, des résultats de découpe insatisfaisants et une usure accrue.

Pour assurer une coupe rapide et en douceur, la chaîne doit être correctement entretenue. Vous devez affûter la chaîne lorsque les copeaux de bois sont petits et poudreux, que vous devez exercer une pression accrue sur la scie pendant la coupe ou que la chaîne ne coupe que d'un côté. Lors de l'entretien de la chaîne, tenez compte des éléments suivants :

- Un angle d'affûtage incorrect de la plaque latérale peut accroître le risque de rebond important.
- Dégagement du râteau (jauge de profondeur). Un niveau trop bas augmente le risque de rebond. Un niveau pas assez bas réduit la capacité de coupe
- Si les dents de l'élément tranchant ont heurté des objets durs, tels que des clous ou des pierres, ou si elles ont été abrasées par de la boue ou du sable se trouvant sur le bois, faites affûter la chaîne par un technicien / réparateur qualifié.

AVIS : Lors du remplacement de la chaîne, vérifiez que le pignon d'entraînement n'est pas usé ou endommagé. Si des signes d'usure ou de dommages sont présents dans les zones indiquées, faites remplacer le pignon d'entraînement par un technicien / réparateur qualifié.

Affûtage des éléments tranchants

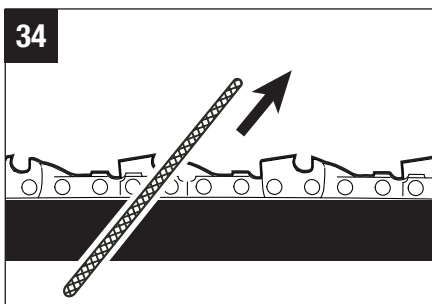
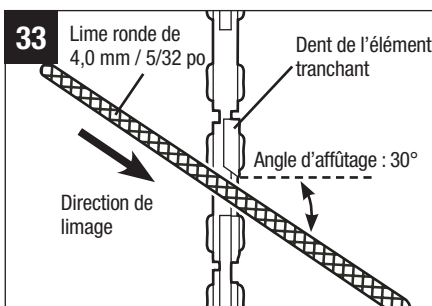
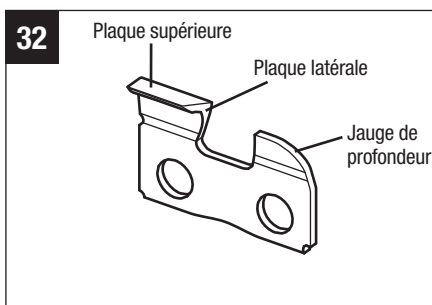
Affûtez tous les éléments tranchants (Fig. 32) aux angles spécifiés et de la même longueur, étant donné qu'il n'est possible de couper rapidement que lorsque tous les bords des éléments tranchants sont uniformes.

1. Retirez le bloc-piles. Portez des gants de protection.
2. Tendez correctement la chaîne avant de l'affûter. Reportez-vous au chapitre « **RÉGLAGE DE LA TENSION DE LA CHAÎNE** » plus haut dans ce mode d'emploi.

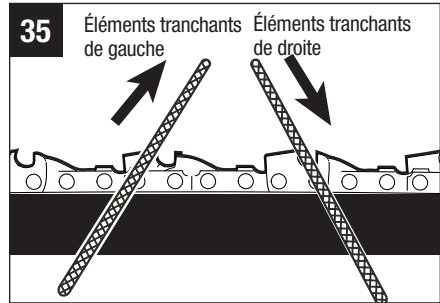
3. Utilisez une lime ronde de 4,0 mm / 5/32 po de diamètre et un support (disponibles séparément). Effectuez tout votre limage depuis la position centrale de la barre de guidage.

4. Gardez la lime de niveau avec la plaque supérieure de la dent. Ne l'inclinez pas et ne la faites pas basculer.

5. Maintenez un angle d'affûtage correct de 30° entre la lime et la chaîne de la scie ; voir Fig. 33 & 34. Utilisez toujours un porte-lime (disponible séparément) lors de l'affûtage des chaînes de scie à la main. Les porte-limes ont des repères pour l'angle d'affûtage.



6. Exercez une pression légère, mais ferme, puis limez en direction du coin avant de la dent. Soulevez la lime du métal après chaque retour.
7. Effectuez quelques coups fermes sur chaque dent. Limez tous les éléments tranchants de gauche dans un sens. Passez ensuite de l'autre côté et limez les éléments tranchants de droite dans le sens inverse. De temps en temps, retirez la limaille de la lime avec une brosse métallique (Fig. 35).



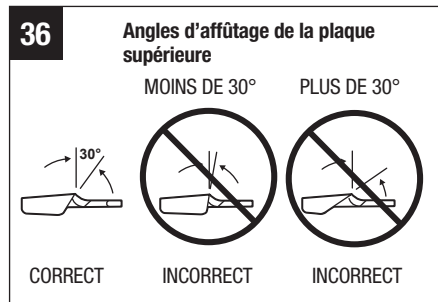
⚠ AVERTISSEMENT : Une chaîne émoussée ou mal affûtée peut provoquer une vitesse excessive du moteur pendant la coupe, ce qui peut entraîner de graves dommages au moteur.

⚠ AVERTISSEMENT : Une chaîne incorrectement affûtée accroît le risque de rebond.

⚠ AVERTISSEMENT : Le fait de ne pas remplacer ou réparer une chaîne endommagée peut causer de graves blessures.

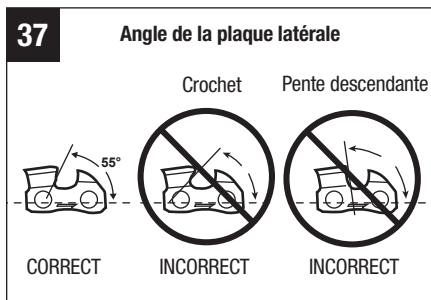
Angles d'affûtage de la plaque supérieure (Fig. 36)

- **CORRECT 30°** – Cet angle optimal ne peut être obtenu que si les limes spécifiées et le réglage approprié sont utilisés. Les porte-limes sont munis de marques de guidage permettant d'aligner correctement la lime afin de produire l'angle correct de la plaque supérieure.
- **MOINS DE 30°** – La dent est trop émoussée pour pouvoir couper.
- **PLUS DE 30°** – Le bord de la dent coupante est aminci et s'émousse rapidement.



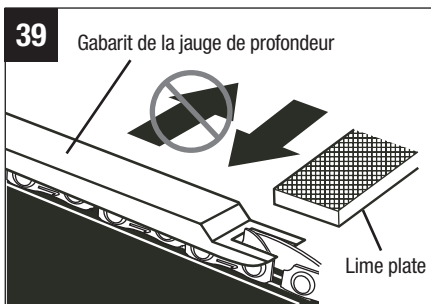
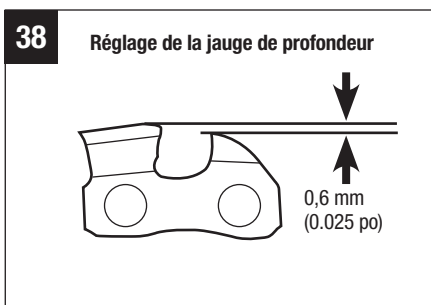
Angle de la plaque latérale (Fig. 37)

- **CORRECT 55°** – L'angle optimal peut être produit automatiquement si la lime de diamètre correct est utilisée dans le porte-lime.
- **CROCHET** – « S'accroche » et s'émousse rapidement. Augmente le potentiel d'EFFET DE REBOND. Résultat de l'utilisation d'une lime dont le diamètre est trop petit, ou d'une lime tenue trop bas.
- **PENTE DESCENDANTE** – Nécessite trop de pression d'alimentation, provoque une usure excessive de la barre et de la chaîne. Résulte de l'utilisation d'une lime dont le diamètre est trop grand, ou d'une lime tenue trop haut.



Réglage de la jauge de profondeur

1. La jauge de profondeur doit être réglée à 0,6 mm (0,025 po), comme le montre la Figure 38. Utilisez un outil de guidage de profondeur (vendu séparément) pour vérifier ce réglage.
2. Vérifiez le jeu de la jauge de profondeur à chaque fois que la chaîne est limée. Utilisez une lime plate et une mirette (toutes deux disponibles séparément) pour abaisser uniformément toutes les jauges (Fig. 39). Les mirettes pour travailler sur les jauges de profondeur sont disponibles de 0,5 mm à 0,9 mm / de 0,020 po à 0,035 po. Utilisez une mirette de jauge de profondeur de 0,6 mm / 0,025 po de profondeur.



- Utilisez la lime plate pour régler les guides de profondeur dans la direction vers laquelle l'élément tranchant adjacent a été limé avec la lime ronde. Prenez soin de ne pas toucher le devant de l'élément tranchant avec la lime plate lorsque vous réglez les jauges de profondeur.

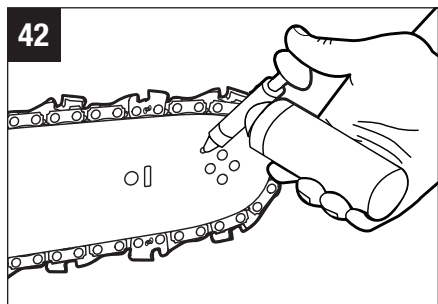
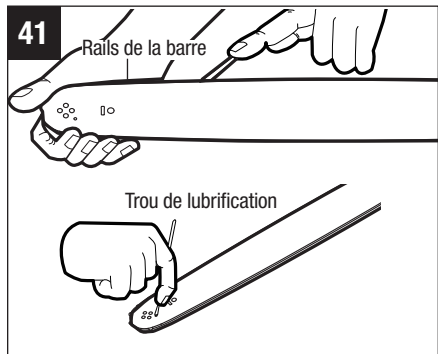
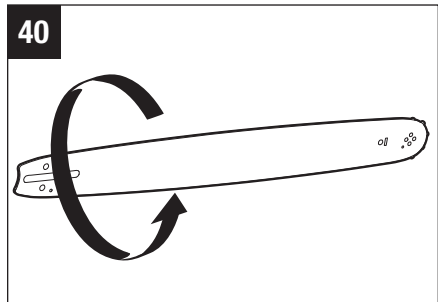
MAINTENANCE DE LA BARRE DE GUIDAGE

Lorsque la barre de guidage présente des signes d'usure, mettez-la sens dessus-dessous sur la scie pour répartir l'usure et maximiser la durée de vie de la barre (Fig. 40).

La barre doit être nettoyée tous les jours après utilisation et inspectée pour déterminer l'usure et les dommages éventuels (Fig. 41). La formation de plumes sur les rails des barres fait partie du processus normal d'usure des barres. Ces défauts doivent être lissés à l'aide d'une lime dès qu'ils se produisent. Une barre présentant l'un des défauts suivants doit être remplacée.

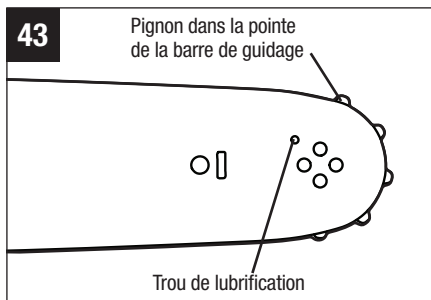
- Usure de l'intérieur des parois de la rainure de la barre de guidage, qui permet à la chaîne de se coucher sur le côté.
- Barre de guidage tordue.
- Parois de la rainure fendues ou brisées.
- Parois de la rainure écartées.

L'extrémité de la barre de guidage est munie d'un pignon. Ce dernier doit être lubrifié toutes les semaines à l'aide d'une seringue à graisse afin de prolonger la vie utile de la barre de guidage (Figures 42 et 43). Tournez le pignon de renvoi lorsque vous injectez de la graisse dans le trou de lubrification jusqu'à ce que le pignon soit rempli de nouvelle graisse. N'introduisez pas de poussière dans le trou.



TRANSPORT ET RANGEMENT

- Ne rangez pas et ne transportez pas la scie à chaîne pendant qu'elle est en marche. Retirez toujours le bloc-piles avant de ranger ou de transporter la scie.
- Placez toujours la gaine de la chaîne sur la barre de guidage et la chaîne avant de ranger ou de transporter la scie à chaîne. Faites attention de ne pas toucher les dents tranchantes de la chaîne.
- Nettoyez complètement la scie à chaîne avant de la ranger. Rangez la scie à chaîne à l'intérieur, à un endroit sec qui est fermé à clé et/ou auquel les enfants ne peuvent pas avoir accès.
- Tenez-la à distance des agents corrosifs tels que des produits chimiques de jardins et des sels pour faire fondre la glace.



RECHERCHE DE LA CAUSE DES PROBLÈMES

PROBLÈME	CAUSE	SOLUTION
Le moteur ne démarre pas.	<ul style="list-style-type: none"> ■ Le bloc-piles n'est pas attaché à la scie à chaîne. ■ Il n'y a pas de contact électrique entre la scie et bloc-piles. ■ Le bloc-piles est déchargé. ■ Le bloc-piles ou la scie à chaîne est trop chaud. ■ Le frein de la chaîne est engagé. ■ La chaîne de la scie est coincée dans le bois. ■ Présence de débris dans la rainure de la barre. ■ Présence de débris dans le cache latéral. 	<ul style="list-style-type: none"> ■ Attachez le bloc-piles à la scie à chaîne. ■ Retirez la pile, inspectez les contacts et réinstallez le bloc-piles. ■ Chargez le bloc-piles. ■ Laissez le bloc-piles ou la scie à chaîne refroidir jusqu'à ce que la température redescende dans la plage de températures de fonctionnement recommandée. ■ Tirez la palette du frein anti-rebond de chaîne vers la poignée avant (en position de fonctionnement). ■ Relâchez la gâchette de l'interrupteur ; retirez la chaîne de la scie et la barre de guidage du bois, puis remettez la scie à chaîne en marche. ■ Appuyez la chaîne de la scie contre le bois, et déplacez la scie à chaîne d'avant en arrière pour évacuer les débris. ■ Retirez le bloc-piles, puis le cache latéral, et nettoyez les débris.

PROBLÈME	CAUSE	SOLUTION
La scie à chaîne cesse de fonctionner pendant son utilisation.	<ul style="list-style-type: none">■ La scie à chaîne est surchargée.■ Le bloc-piles ou la scie à chaîne est trop chaud.■ La chaîne de la scie est coincée dans le bois.	<ul style="list-style-type: none">■ Diminuez la charge■ Laissez le bloc-piles ou la scie à chaîne refroidir jusqu'à ce que la température redescende dans la plage de températures de fonctionnement recommandée.■ Relâchez la gâchette de l'interrupteur ; retirez la chaîne de la scie et la barre de guidage du bois, puis remettez la scie à chaîne en marche.
Le moteur fonctionne, mais la chaîne ne tourne pas.	<ul style="list-style-type: none">■ La chaîne n'engage pas le pignon d'entraînement.	<ul style="list-style-type: none">■ Retirez le bloc-piles et réinstallez la chaîne en veillant à ce que les maillons d'entraînement de la chaîne soient bien en place sur le pignon.
Le frein de la chaîne ne s'engage pas.	<ul style="list-style-type: none">■ Débris empêchant le mouvement complet de la palette du frein anti-rebond de la chaîne.■ Mauvais fonctionnement possible du frein de la chaîne.	<ul style="list-style-type: none">■ Nettoyez les débris du mécanisme externe du frein à chaîne.■ Contactez le centre de service à la clientèle d'EGO si des réparations sont nécessaires.

PROBLÈME	CAUSE	SOLUTION	
La scie à chaîne ne coupe pas correctement.	<ul style="list-style-type: none"> ■ Tension insuffisante de la chaîne. ■ Chaîne émoussée. ■ Chaîne installée à l'envers. ■ Chaîne usée. 	<ul style="list-style-type: none"> ■ Réglez la tension de la chaîne en suivant les instructions de la section intitulée « RÉGLAGE DE LA TENSION DE LA CHAÎNE » jusqu'à ce que la tension de la chaîne soit correcte. ■ Affûtez les éléments tranchants de la chaîne en suivant les instructions du chapitre : « COMMENT AIGUISER LES ÉLÉMENTS TRANCHANTS ». ■ Retirez le bloc-piles et réinstallez la chaîne de la scie conformément à la section intitulée « REMPLACEMENT DE LA BARRE ET DE LA CHAÎNE ». ■ Retirez le bloc-piles et remettez la chaîne de la scie en place conformément à la section intitulée « REMPLACEMENT DE LA BARRE ET DE LA CHAÎNE ». 	
	<ul style="list-style-type: none"> ■ Chaîne sèche ou excessivement étirée. 	<ul style="list-style-type: none"> ■ Vérifiez le niveau d'huile. Remplissez le réservoir d'huile si nécessaire. 	
	<ul style="list-style-type: none"> ■ La chaîne n'est pas dans la rainure de la barre. 	<ul style="list-style-type: none"> ■ Retirez le bloc-piles et réinstallez la chaîne de la scie conformément à la section intitulée « REMPLACEMENT DE LA BARRE ET DE LA CHAÎNE ». 	
	La chaîne se détache ou tombe de la barre de guidage lors d'une utilisation normale.	<ul style="list-style-type: none"> ■ La chaîne se détache lorsque la température de la chaîne augmente pendant le fonctionnement normal de la scie. ■ La chaîne n'engage pas le pignon d'entraînement. 	<ul style="list-style-type: none"> ■ Réglez la tension de la chaîne conformément à la section « RÉGLAGE DE LA TENSION DE LA CHAÎNE » jusqu'à ce que la chaîne soit correctement tendue. ■ Retirez le bloc-piles et réinstallez la chaîne de la scie conformément à la section intitulée « REMPLACEMENT DE LA BARRE ET DE LA CHAÎNE ». Assurez-vous que les maillons d'entraînement de la chaîne sont bien en place sur le pignon.

PROBLÈME	CAUSE	SOLUTION
La barre et la chaîne sont chaudes et fumantes.	<ul style="list-style-type: none">■ Le réservoir d'huile de la chaîne est vide.■ Présence de débris dans la rainure de la barre de guidage.	<ul style="list-style-type: none">■ Vérifiez le niveau d'huile. Remplissez le réservoir d'huile si nécessaire.■ Dégagez les débris qui se trouvent dans la rainure.

GARANTIE LIMITÉE D'EGO

CONDITIONS ET DURÉE DE LA POLITIQUE DE GARANTIE

Chervon North America, Inc. (« Chervon North America ») accorde la Garantie limitée suivante pour les produits EGO à l'acheteur initial de produits EGO.

La période de garantie détaillée de chaque produit EGO est indiquée en ligne à l'adresse <http://egopowerplus.com/warranty-policy>.

Veillez contacter le Service à la clientèle d'EGO en téléphonant au 1-855-EGO-5656 (appel gratuit) à tout moment en cas de questions, si vous voulez vous prévaloir de la garantie ou si vous souhaitez obtenir une version sur papier de la garantie.

GARANTIE LIMITÉE DE SERVICE APRÈS-VENTE

Les produits EGO sont garantis contre tout défaut de matériel ou de fabrication à partir de la date d'achat au détail originale et pendant la période de garantie applicable. Pour toute demande de garantie soumise correctement et dans les délais, si Chervon North America détermine qu'un produit est défectueux pendant la période de garantie, le produit sera réparé ou remplacé gratuitement, selon ce qui aura été déterminé par Chervon North America.

COMMENT OBTENIR DE L'ASSISTANCE DANS LE CADRE DU SERVICE APRÈS-VENTE

Pour obtenir de l'assistance dans le cadre de la garantie (pendant la période de garantie applicable), veuillez contacter le service à la clientèle d'EGO en téléphonant au **1-855-EGO-5656** (appel gratuit). Lorsque vous demandez de l'assistance dans le cadre de la garantie, vous devez présenter le reçu de vente original daté. Un centre de service après-vente agréé sera sélectionné pour évaluer et réparer le produit défectueux conformément aux conditions de garantie énoncées. Lorsque vous apportez votre produit au centre de service après-vente agréé, il se peut qu'une petite caution vous soit demandée lors du dépôt de votre outil. Cette caution est remboursable lorsque le service de réparation est considéré comme étant couvert par la garantie.

LIMITATIONS ET EXCLUSIONS SUPPLÉMENTAIRES

Cette garantie limitée ne s'applique qu'à l'acheteur initial d'un produit à un revendeur agréé EGO, et elle ne peut pas être cédée. Les produits EGO ne sont pas considérés comme défectueux et la présente garantie ne s'applique pas lorsque le défaut invoqué est imputable à une cause autre que les défauts définis ci-dessus. Cette garantie est nulle et non avenue si le produit a été utilisé à des fins de location. La présente

garantie ne s'applique pas aux dommages causés par un accident, un abus, une mauvaise utilisation, une altération, une modification, une réparation non autorisée, un contact avec un liquide, un incendie, un tremblement de terre ou toute autre cause externe ; par une utilisation du produit en dehors des instructions, spécifications ou directives d'EGO ; ou par un manquement à l'entretien ou à la maintenance convenable du produit. Cette garantie ne s'applique pas non plus aux dommages esthétiques, y compris, mais sans s'y limiter, les rayures ou les bosses, ainsi qu'aux défauts causés par l'usure normale ou autrement dus au vieillissement normal du produit.

CETTE GARANTIE EXPRESSE EST DONNÉE EN LIEU ET PLACE DE TOUTE AUTRE GARANTIE, EXPRESSE OU IMPLICITE, Y COMPRIS, MAIS SANS S'Y LIMITER, TOUTE GARANTIE DE QUALITÉ MARCHANDE OU D'ADÉQUATION À UN USAGE PARTICULIER, QUI EST REJETÉE. Toute garantie implicite, y compris la garantie de qualité marchande ou d'adéquation à un usage particulier qui ne peut être rejetée en vertu de la loi de l'État ou de la province est limitée à la période de garantie applicable définie au début de cet article. Le seul et unique recours en rapport avec l'achat, l'installation, l'utilisation et/ou la performance des produits EGO est la réparation ou le remplacement du produit selon la décision de Chervon North America. La responsabilité maximale de Chervon North America ne dépassera en aucun cas le prix d'achat payé pour le produit. CHERVON NORTH AMERICA NE SERA PAS RESPONSABLE ENVERS L'UTILISATEUR OU TOUTE AUTRE PERSONNE DES DOMMAGES CONSÉCUTIFS, ACCIDENTELS, SPÉCIAUX, EXEMPLAIRES, INDIRECTS OU PUNITIFS RÉSULTANT DE L'UTILISATION DES PRODUITS, Y COMPRIS, MAIS SANS S'Y LIMITER, LES PRÉJUDICES CORPORELS, LA MORT, LES DOMMAGES MATÉRIELS, LA PERTE DE BÉNÉFICES OU TOUT AUTRE DOMMAGE ÉCONOMIQUE. Cette garantie vous confère des garanties juridiques particulières, et vous pouvez aussi avoir d'autres droits, qui varient selon l'État ou la province. Étant donné que certains États et certaines provinces ne permettent pas de limitations quant à la durée d'une garantie implicite ou ne permettent pas l'exclusion ou la limitation des dommages indirects ou secondaires, ou le délai de prescription pour intenter certaines actions, il est possible que les limitations contenues aux présentes ne s'appliquent pas à consommateurs dans ces États ou provinces.

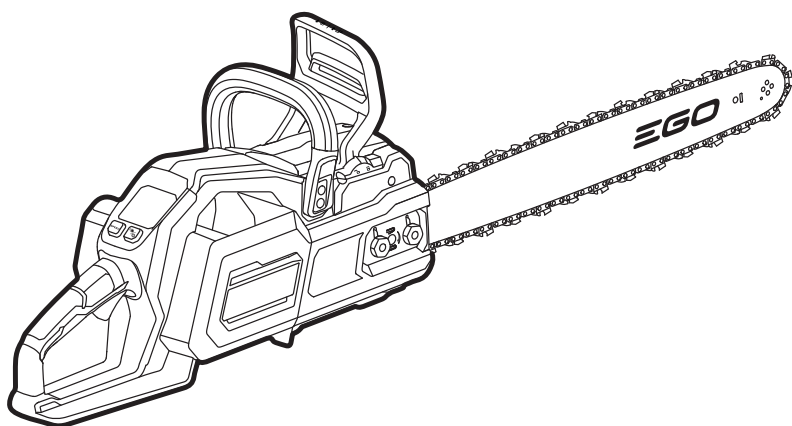
Cette garantie est soumise au droit du Michigan et doit être interprétée conformément au droit du Michigan sans tenir compte des principes de conflits de lois. Aucune action en justice ne pourra être intentée contre Chervon North America si elle n'est pas déposée dans un délai d'un (1) an après que le fondement de cette action en justice aura été connu, ou qu'il aurait dû l'être si une diligence raisonnable avait été exercée. Toute action non intentée dans les délais est réputée abandonnée.

Pour le service à la clientèle, contactez-nous en téléphonant au numéro suivant (appel gratuit) : **1-855-EGO-5656** ou **EGOPOWERPLUS.COM**.

EGO Customer Service,
769 Seward Ave. NW, Suite 102,
Grand Rapids, Michigan 49504.

EGO™

POWER⁺ CHAIN SAW



MANUAL DEL USUARIO

MOTOSIERRA DE 20 PULGADAS INALÁMBRICA DE ION LITIO DE 56 V

NÚMERO DE MODELO CS2000/CS2000-FC

⚠ ADVERTENCIA: Para reducir el riesgo de lesiones, el usuario debe leer y comprender el Manual del propietario antes de usar este producto. Guarde estas instrucciones para referencia futura.

¡LEA TODAS LAS INSTRUCCIONES!



LEA Y ENTIENDA EL
MANUAL DEL OPERADOR

ÍNDICE

Símbolos de seguridad	117
Símbolos	118-119
Instrucciones generales de seguridad.....	120-124
Instrucciones de seguridad para motosierras.....	124-131
Instrucciones de seguridad adicionales	131-132
Declaración de la FCC	133
Introducción.....	134
Especificaciones	135
Lista de empaque	135
Accesorios	136
Descripción	137-140
Ensamblaje	141
Utilización	142-157
Mantenimiento.....	158-168
Resolución de problemas	169-172
Garantía Limitada de EGO	173-174

SÍMBOLOS DE SEGURIDAD

El propósito de los símbolos de seguridad es alertarlo sobre posibles peligros. Los símbolos de seguridad y sus explicaciones merecen una atención y comprensión minuciosas. Las advertencias de los símbolos, por sí mismas, no eliminan los peligros. Las instrucciones y las advertencias no sustituyen las medidas de prevención de accidentes que correspondan.

⚠ ADVERTENCIA: Antes de utilizar esta herramienta, asegúrese de leer y comprender todas las instrucciones de seguridad en este Manual del propietario, incluidos todos los símbolos de alerta de seguridad como “**PELIGRO**”, “**ADVERTENCIA**” y “**PRECAUCIÓN**”. No seguir todas las instrucciones que se indican a continuación podría resultar en descargas eléctricas, incendios y/o lesiones personales graves.

Las definiciones que aparecen a continuación describen el nivel de gravedad de cada palabra de aviso. Por favor, lea el manual y preste atención a estos símbolos.	
	Este es el símbolo de alerta de seguridad. Se utiliza para alertarle a usted de posibles peligros de lesiones corporales. Obedezca todos los mensajes de seguridad que sigan a este símbolo para evitar posibles lesiones o la muerte.
⚠ PELIGRO	PELIGRO indica una situación peligrosa que, si no se evita, causará la muerte o lesiones graves.
⚠ ADVERTENCIA	ADVERTENCIA indica una situación peligrosa que, si no se evita, podría causar la muerte o lesiones graves.
⚠ PRECAUCIÓN	PRECAUCIÓN, utilizada con el símbolo de alerta de seguridad, indica una situación peligrosa que, si no se evita, podría causar lesiones leves o moderadas.

MENSAJES DE PREVENCIÓN DE DAÑOS E INFORMACIÓN

Estos mensajes ofrecen al usuario información y/o instrucciones importantes que, de no seguirse, podrían causar daños al equipo u otros daños materiales. Antes de cada mensaje, aparece la palabra “**AVISO**”, como en el ejemplo a continuación:

AVISO: Si no se siguen estas instrucciones se pueden producir daños al equipo y/o daños materiales.

SÍMBOLOS

Esta página muestra y describe los símbolos de seguridad que pueden aparecer en este producto. Lea, comprenda y siga todas las instrucciones de la máquina antes de ensamblarla y utilizarla.

	Alerta de seguridad	Precauciones que involucran la seguridad del operador.
	Lea y entienda el Manual del operador	Para reducir el riesgo de lesiones, el usuario debe leer y entender el manual del operador antes de utilizar este producto.
	Use protección ocular	Use siempre anteojos de seguridad o gafas de seguridad con escudos laterales y una careta completa cuando utilice este producto.
	Use protección de oídos	Es posible que el ruido de la motosierra dañe la audición del operador. Use siempre barreras contra el sonido (tapones de oídos u orejeras) para protegerse la audición.
	Use protección de la cabeza	Use un casco de seguridad aprobado para protegerse la cabeza.
	Use guantes protectores	Protéjase las manos con guantes cuando maneje la sierra y la cadena de la sierra. Los guantes antideslizantes gruesos mejoran el agarre y protegen las manos.
	Use calzado de seguridad	Use calzado de seguridad antideslizante cuando utilice este equipo.
	Retroceso de la punta de la espada	El contacto con la punta puede hacer que la espada se mueva repentinamente hacia arriba y hacia atrás, lo cual puede causar lesiones graves.

	Agarre con las dos manos	Use siempre las dos manos cuando utilice la motosierra.
	Bluetooth®	Símbolo de Bluetooth®
	Símbolos de reciclaje	Este producto utiliza baterías de ion litio (ion Li). Es posible que las leyes locales, estatales o federales prohíban la eliminación de las baterías en la basura ordinaria. Consulte a su autoridad local de eliminación de residuos para obtener información sobre las opciones de reciclaje y/o eliminación disponibles.
IP...	Grado de protección contra la penetración	Clasifica el grado de protección proporcionada por un recinto cerrado para equipos eléctricos.
	Corriente continua (CC)	Tipo o característica de corriente
V	Voltio	Tensión
mm	Milímetro	Longitud o tamaño
cm	Centímetro	Longitud o tamaño
ft	Pie	Longitud o tamaño
in.	Pulgada	Longitud o tamaño
kg	Kilogramo	Peso
lb	Libra	Peso
ml	Mililitro	Volumen
fl.oz	Onza líquida	Volumen
°C	Grados Celsius	Temperatura
°F	Grados Fahrenheit	Temperatura

INSTRUCCIONES GENERALES DE SEGURIDAD

⚠ ADVERTENCIA lea todas las advertencias de seguridad, las instrucciones, las ilustraciones y las especificaciones que se incluyen con esta herramienta eléctrica. No seguir todas las instrucciones que se detallan a continuación podría provocar descargas eléctricas, incendios o lesiones graves.

Guarde todas las advertencias e instrucciones para referencia futura.

El término “máquina” que se incluye en las advertencias se refiere a su máquina alimentada por la red eléctrica (alámbrica) o su máquina alimentada por baterías (inalámbrica).

Seguridad en el área de trabajo

- **Mantenga el área de trabajo limpia y bien iluminada.** Las áreas desordenadas u oscuras aumentan las posibilidades de accidentes.
- **No utilice herramientas eléctricas en atmósferas en las que exista riesgo de explosión, como por ejemplo en presencia de líquidos inflamables, gases o polvo.** Las herramientas eléctricas producen chispas que podrían encender el polvo o el humo.
- **Mantenga a los niños y transeúntes alejados mientras opera una herramienta eléctrica.** Las distracciones pueden hacer que pierda el control.

Seguridad eléctrica

- **Los enchufes de las máquinas deben coincidir con el tomacorriente. No modifique nunca el enchufe de ninguna manera. No utilice enchufes adaptadores con máquinas conectadas a tierra (puestas a masa).** Los enchufes no modificados y los tomacorrientes coincidentes reducirán el riesgo de descargas eléctricas.
- **Evite el contacto del cuerpo con las superficies conectadas a tierra o puestas a masa, tales como tuberías, radiadores, estufas de cocina y refrigeradores.** Hay un mayor riesgo de descargas eléctricas si su cuerpo está conectado a tierra o puesto a masa.
- **No exponga las máquinas a la lluvia ni a condiciones mojadas.** La entrada de agua en una máquina aumentará el riesgo de descargas eléctricas.

- **No maltrate el cable. No use nunca el cable para transportar, jalar o desenchufar la herramienta eléctrica. Mantenga el cable alejado del calor, el aceite, los bordes afilados o las piezas móviles.** Los cables dañados o enredados aumentan el riesgo de descargas eléctricas.
- **Cuando utilice una herramienta eléctrica a la intemperie, use un cable de extensión que sea adecuado para uso a la intemperie.** La utilización de un cable de extensión adecuado para uso a la intemperie reduce el riesgo de descargas eléctricas.
- **Si es inevitable utilizar una herramienta eléctrica en un lugar húmedo, utilice una fuente de alimentación protegida por un interruptor de circuito accionado por corriente de pérdida a tierra (GFCI, por sus siglas en inglés).** El uso de un GFCI reduce el riesgo de descargas eléctricas.

Seguridad Personal

- **Manténgase alerta, fíjese en lo que está haciendo y use el sentido común cuando utilice una herramienta eléctrica. No utilice una herramienta eléctrica mientras esté cansado o bajo la influencia de drogas, alcohol o medicamentos.** Es posible que un momento de desatención mientras se estén utilizando herramientas eléctricas cause lesiones corporales graves.
- **Use equipo de protección personal. Use siempre protección ocular.** El equipo de protección, tal como una máscara antipolvo, zapatos de seguridad antideslizantes, casco o protección de la audición, utilizado según lo requieran las condiciones, reducirá las lesiones corporales.
- **Evite los arranques accidentales. Asegúrese de que el interruptor esté en la posición de apagado antes de conectar la herramienta al paquete de batería, levantar la herramienta o transportarla.** Si se transportan herramientas eléctricas con el dedo en el interruptor o si se suministra corriente a herramientas eléctricas que tengan el interruptor en la posición de encendido se invita a que se produzcan accidentes.
- **Retire todas las llaves de ajuste o de tuerca antes de encender la herramienta eléctrica.** Es posible que una llave de ajuste o de tuerca que se deje sujeta a una pieza móvil de la herramienta eléctrica cause lesiones corporales.
- **No intente alcanzar demasiado lejos. Mantenga un apoyo de los pies y un equilibrio adecuados en todo momento.** Esto permite un mejor control de la herramienta eléctrica en situaciones inesperadas.

- **Vístase adecuadamente. No use ropa holgada ni joyas. Mantenga el pelo y la ropa alejados de las piezas móviles.** La ropa holgada, las joyas o el pelo largo pueden quedar atrapados en las piezas móviles.
- **Si se proporcionan dispositivos para la conexión de instalaciones de extracción y recolección de polvo, asegúrese de que dichos dispositivos estén conectados y se utilicen correctamente.** El uso de dispositivos de recolección de polvo puede reducir los peligros relacionados con el polvo.
- **No deje que la familiaridad obtenida del uso frecuente de las herramientas le permita volverse complaciente e ignorar los principios de seguridad de las herramientas.** Una acción descuidada puede causar lesiones graves en una fracción de segundo.

Uso y cuidado de la máquina

- **No fuerce la herramienta eléctrica. Utilice la herramienta eléctrica adecuada para su tarea.** La herramienta eléctrica adecuada realizará un trabajo más seguro y de mejor calidad al ritmo para el que fue diseñada.
- **No utilice la herramienta eléctrica si el interruptor no la enciende y apaga.** Cualquier herramienta eléctrica que no pueda controlarse con el interruptor es peligrosa y debe repararse.
- **Desconecte el enchufe de la fuente de alimentación y/o retire el paquete de batería de la máquina, si es retirable, antes de hacer cualquier ajuste, cambiar accesorios o almacenar máquinas.** Dichas medidas preventivas de seguridad reducen el riesgo de arrancar accidentalmente la máquina.
- **Almacene las herramientas eléctricas que no estén en uso fuera del alcance de los niños y no permita que personas no familiarizadas con la herramienta o estas instrucciones la operen.** Las herramientas eléctricas son peligrosas en manos de usuarios sin capacitación.
- **Realice mantenimiento a las herramientas eléctricas y a los accesorios. Revise si hay piezas móviles desalineadas o atoradas, si hay piezas rotas y cualquier otra condición que pueda afectar el funcionamiento de la herramienta eléctrica. Si se daña la herramienta eléctrica, hágala reparar antes de usarla.** Muchos accidentes son producto del mantenimiento incorrecto de las máquinas.
- **Mantenga las máquinas de corte afiladas y limpias.** Las máquinas de corte mantenidas adecuadamente, con bordes de corte afilados, tienen menos probabilidades de atorarse y son más fáciles de controlar.

- **Use la herramienta eléctrica, los accesorios, las brocas, etc., de acuerdo con estas instrucciones, teniendo en cuenta las condiciones de trabajo y el trabajo que realizará.** El uso de la herramienta eléctrica para diferentes funciones distintas a las previstas podría crear una situación de peligro.
- **Mantenga los mangos y las superficies de agarre secos, limpios y libres de aceite y grasa.** Es posible que los mangos resbalosos y las superficies de agarre resbalosas no permitan un manejo y un control seguros de la máquina en situaciones inesperadas.

Uso y cuidado de las máquinas a batería

- **Recargue el paquete de baterías solo con el cargador especificado por el fabricante.** Un cargador adecuado para un tipo de paquete de batería puede crear un riesgo de incendio cuando se usa con otro paquete de batería.
- **Use las herramientas eléctricas solo con los paquetes de baterías específicamente designados para ellas.** El uso de cualquier otro paquete de batería puede crear un riesgo de lesión e incendio.
- **Cuando el paquete de baterías no está en uso, aléjelo de objetos metálicos, como sujetapapeles, monedas, llaves, clavos, tornillos u otros objetos metálicos pequeños que pudieran crear una conexión entre los terminales.** Es posible que conectar los terminales de la batería entre sí produzca quemaduras o un incendio.
- **En condiciones de maltrato, es posible que salga líquido de la batería. Evite el contacto. Si se produce un contacto accidental, enjuague con agua. Si el líquido entra en contacto con los ojos, solicite atención médica adicional.** El líquido que sale de la batería puede provocar irritación o quemaduras.
- **No utilice un paquete de baterías ni una herramienta si están dañadas o modificadas.** Las baterías dañadas o modificadas pueden mostrar una conducta impredecible que podría provocar incendios, explosiones o riesgo de lesiones.
- **No exponga el paquete de baterías ni la herramienta al fuego o a una temperatura excesiva.** La exposición al fuego o a temperaturas por encima de los 212 °F (100 °C) puede causar una explosión.
- **Siga todas las instrucciones de carga y no cargue el paquete de baterías ni las herramientas fuera del rango de temperatura especificado en las instrucciones.** La carga inadecuada o a temperaturas fuera del rango especificado podría dañar la batería y aumentar el riesgo de incendio.

MANTENIMIENTO

- **Permita que solo una persona capacitada repare la herramienta eléctrica, mediante el uso solo de piezas de repuesto idénticas.** Esto mantendrá la seguridad de la herramienta eléctrica.
- **Nunca realice mantenimiento a los paquetes de baterías.** Solo el fabricante o proveedores de servicio autorizados pueden realizar el mantenimiento de los paquetes de baterías.

INSTRUCCIONES DE SEGURIDAD PARA MOTOSIERRAS

- **Mantenga todas las partes del cuerpo alejadas de la cadena de la sierra cuando la motosierra esté en funcionamiento. Antes de arrancar la motosierra, asegúrese de que la cadena de la sierra no esté en contacto con nada.** Es posible que un momento de desatención mientras se estén utilizando motosierras haga que la ropa o el cuerpo del operador se enganchen con la cadena.
- **Agarre siempre la motosierra con la mano derecha en la empuñadura trasera y la mano izquierda en la empuñadura delantera.** Si se agarra la motosierra con una configuración invertida de las manos, se aumenta el riesgo de lesiones corporales y esto no se deberá hacer nunca.
- **Sostenga la motosierra solo por las superficies de agarre aisladas, porque la cadena de la motosierra puede entrar en contacto con el cableado que está oculto.** Si la cadena de la motosierra entra en contacto con un cable energizado, pueden energizarse las piezas metálicas expuestas de la herramienta eléctrica y puede electrocutarse el usuario.
- **Use gafas de seguridad y protección auditiva. Se recomienda también el uso de equipos de protección para la cabeza, las manos, las piernas y los pies.** El uso de la ropa protectora correspondiente reduce el riesgo de sufrir lesiones causadas por el material despedido o por el contacto accidental con la cadena de la motosierra.
- **No opere una motosierra en un árbol, en una escalera, desde un tejado o cualquier soporte inestable.** La operación de una motosierra de esta manera podría resultar en lesiones personales graves.
- **Siempre manténgase bien parado y utilice la motosierra solo si usted se encuentra sobre una superficie estable, segura y nivelada.** Las superficies resbaladizas o inestables como las escaleras pueden provocar la pérdida de equilibrio o del control de la motosierra.

- **Al cortar ramas sometidas a tensión, esté atento al efecto látigo.** Cuando se libera la tensión de las fibras de la madera, la rama tensa puede golpear al usuario o hacer descontrolar la motosierra.
- **Sea extremadamente precavido al cortar maleza y árboles jóvenes.** Las ramas delgadas pueden quedar atrapadas con la cadena de la motosierra y golpear al usuario o hacerlo perder el equilibrio.
- **Transporte la motosierra apagada y tomándola de la empuñadura frontal, lejos del cuerpo. Al transportar o guardar la motosierra, siempre coloque la cubierta de la espada.** La manipulación correcta de la motosierra reduce la probabilidad de que se haga contacto de forma accidental con la cadena de la motosierra en movimiento.
- **Siga las instrucciones para la lubricación, la tensión de la cadena y el cambio de accesorios.** Si la cadena no tiene la tensión o la lubricación correctas, aumenta el riesgo de que se produzca el efecto rebote o una avería en la herramienta.
- **Corte solo madera. No use la motosierra para fines que no sean los previstos. Por ejemplo: no use la motosierra para cortar metal, plástico, mampostería o materiales de construcción que no sean de madera.** El uso de la motosierra en operaciones que no son las previstas puede producir una situación de peligro.
- **No intente talar un árbol hasta haber entendido cuáles son los riesgos y cómo evitarlos.** El operador o los transeúntes pueden sufrir lesiones graves durante la tala de un árbol.
- **Siga todas las instrucciones cuando retire material atorado, almacene la motosierra o le haga servicio de ajustes y reparaciones. Asegúrese de que el interruptor esté en la posición de apagado y que el paquete de batería se haya retirado.** Es posible que un accionamiento inesperado de la motosierra mientras se retira material atorado o se realiza servicio de ajustes y reparaciones cause lesiones corporales graves.

CAUSAS DEL RETROCESO Y SU PREVENCIÓN POR EL OPERADOR

Es posible que ocurra retroceso cuando la nariz o la punta de la espada toque un objeto, o cuando la madera se cierre y pellizque la cadena de la sierra en el corte.

Es posible que el contacto con la punta en algunos casos cause una reacción inversa repentina y lance la espada hacia arriba y hacia atrás, hacia el operador.

Es posible que si la cadena de la sierra se pellizca a lo largo de la parte superior de la espada, dicha espada resulte empujada rápidamente hacia atrás, hacia el operador.

Es posible que cualquiera de estas dos reacciones haga que usted pierda el control de la sierra, lo cual podría causar lesiones corporales graves. No confíe exclusivamente en los dispositivos de seguridad incorporados a la sierra. Como usuario de una motosierra, usted deberá tomar varias medidas para mantener los trabajos de corte que realice libres de accidentes o lesiones.

El retroceso es el resultado de un uso indebido de la motosierra y/o procedimientos o condiciones de utilización incorrectos, y se puede evitar tomando las precauciones debidas, tal y como se indica a continuación:

- **Mantenga un agarre firme, con los pulgares y los dedos formando un círculo alrededor de las empuñaduras de la motosierra, con ambas manos en la sierra, y posicione el cuerpo y el brazo de manera que le permitan resistir las fuerzas de retroceso.** Las fuerzas de retroceso pueden ser controladas por el operador, si se toman las precauciones adecuadas. No suelte la motosierra.
- **No intente alcanzar demasiado lejos y no corte a una altura por encima del hombro.** Esto ayuda a prevenir el contacto accidental con la punta y permite un mejor control de la motosierra en situaciones inesperadas.
- **Utilice únicamente espadas y cadenas de sierra de repuesto especificadas por el fabricante.** Es posible que las espadas y cadenas de sierra de repuesto incorrectas causen rotura de la cadena y/o retroceso.
- **Siga las instrucciones de afilado y mantenimiento del fabricante de la motosierra.** Una disminución de la altura del calibre de profundidad puede causar un aumento del retroceso.

DISPOSITIVOS DE SEGURIDAD ANTIRRETROCESO DE ESTA MOTOSIERRA

Freno de la cadena

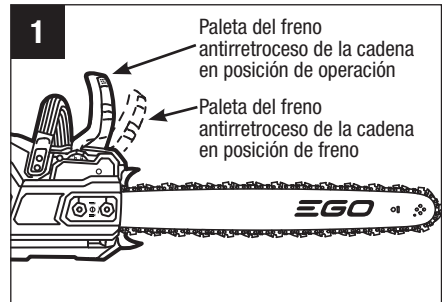
La motosierra viene equipada con un freno de la cadena, el cual detiene tanto el motor como el movimiento de la cadena cuando ocurre retroceso. El freno de la cadena se puede activar por medio del movimiento hacia delante de la paleta del freno antirretroceso de la cadena mientras la sierra rota hacia atrás durante un retroceso; también se puede activar por las fuerzas de inercia generadas durante un empuje rápido hacia atrás.

⚠ ADVERTENCIA: No modifique nunca ni intente desactivar el freno de la cadena.

Asegúrese de que el freno de la cadena esté funcionando correctamente antes de utilizar la motosierra. La paleta del freno antirretroceso de la cadena se debería mover fácilmente hacia detrás y hacia delante.

Para comprobar el funcionamiento del freno de la cadena, realice las siguientes acciones (Fig. 1):

- Coloque la motosierra sobre una superficie plana y despejada, y asegúrese de que no haya objetos ni obstrucciones en proximidad inmediata que podrían entrar en contacto con la espada y la cadena.
- Desactive el freno de la cadena jalando la paleta del freno antirretroceso de la cadena hacia la empuñadura delantera. El icono de freno ubicado en la pantalla LCD (Fig. 8) se apagará.
- Arranque la motosierra.
- Empuje la paleta del freno antirretroceso de la cadena hacia la parte delantera de la sierra. Un freno de mano que funcione correctamente detendrá inmediatamente el movimiento de la cadena. Si el freno de la cadena no está funcionando correctamente, no utilice la motosierra hasta que el freno haya sido reparado por un técnico de servicio calificado.



⚠ WADVERTENCIA: Confirme que el freno de la cadena funciona correctamente antes de cada uso.

⚠ ADVERTENCIA: Si el freno de la cadena está obstruido con virutas de madera, es posible que la función de dicho freno se deteriore. Mantenga siempre limpio el dispositivo.

Cadena de bajo retroceso

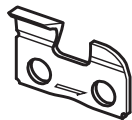
La parte frontal de cada eslabón cortante (calibres de profundidad) pueden minimizar la fuerza de la reacción de rebote evitando que los eslabones cortantes se introduzcan a demasiada profundidad en la zona de rebote. Use solo una cadena de repuesto que sea equivalente a la cadena original o que haya sido certificada como cadena de bajo rebote según la norma ANSI B175.1. Una cadena para motosierra con dientes de bajo rebote es una cadena que cumple con los requisitos de rendimiento en rebote de la norma ANSI B175.5 - 1991 (norma nacional estadounidense sobre herramientas eléctricas; requisitos de seguridad para motosierras a gasolina y eléctricas) al someterse a pruebas en la muestra representativa de motosierras por debajo de las 3,8 pulg. cúbicas de desplazamiento especificadas en ANSI B175.1-1991.

El eslabón guía del protector (Fig. 2) también ayuda a ofrecer un rendimiento de bajo retroceso.

⚠ PRECAUCIÓN: A medida que se afilan las cadenas de motosierras durante su vida útil, pierden parte de las cualidades de bajoretroceso, por lo que deben tomarse precauciones adicionales al utilizarlas.

2

Eslabón guía del protector



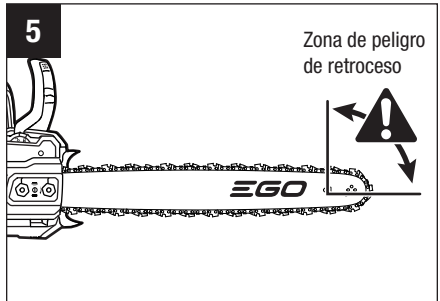
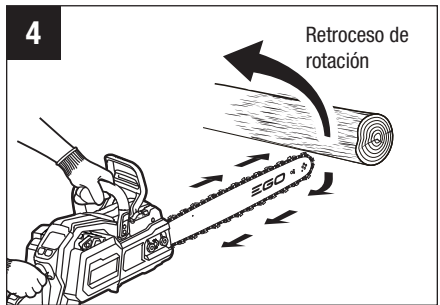
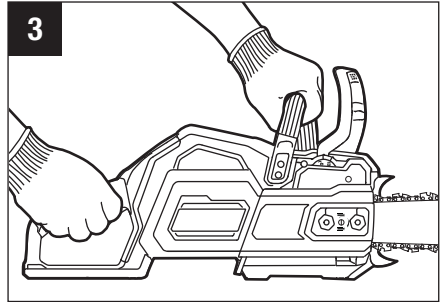
Tipo de cortador

ESPADADA

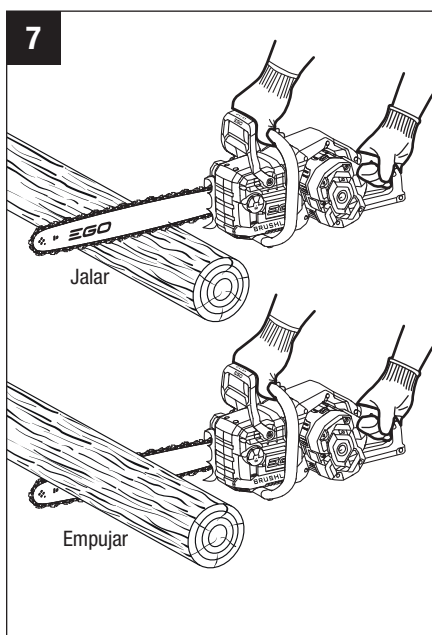
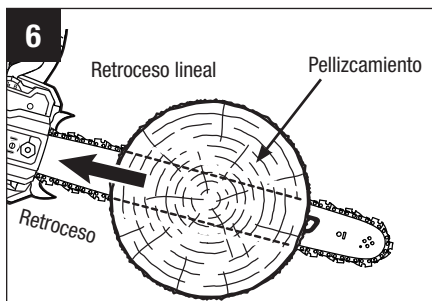
Esta motosierra viene equipada con una espada cuya punta tiene un radio pequeño. Las puntas de radios pequeños generalmente presentan un potencial menor de retroceso. Al reemplazar la espada, asegúrese de solicitar la espada especificada en este manual

ADVERTENCIAS ADICIONALES

- **Si tiene una comprensión básica del retroceso (Fig. 3-5), puede reducir o eliminar el elemento sorpresa.** La sorpresa repentina contribuye a que se produzcan accidentes.
- **Asegúrese de que el área donde está cortando esté libre de obstrucciones.** No deje que la punta de la espada haga contacto con troncos, ramas, cercas ni ninguna otra obstrucción que podría ser golpeada al utilizar la motosierra.
- **Inspeccione la pieza de trabajo para verificar que no tenga clavos, cables ni ningún otro objeto extraño antes de cortarla.**
- **Planifique el trabajo y asegúrese de que el área de trabajo esté libre de obstáculos.** Si se trata de la tala de árboles, debe haber al menos una vía de escape del árbol al caer.
- **Al talar árboles, las personas cercanas deben mantenerse a una distancia equivalente al doble de la longitud del árbol, como mínimo.**
- **Mantenga un apoyo de los pies y un equilibrio adecuados en todo momento.**
- **Las motosierras deben usarse con las dos manos.** Si se usan con una sola mano, el operador, los ayudantes y/o los transeúntes pueden sufrir lesiones graves (Fig. 3).



- **Corte siempre con la máquina a velocidad plena.** Presione el gatillo interruptor a fondo y mantenga la velocidad de corte.
- **Empuje y tracción:** la fuerza de reacción siempre es opuesta a la dirección en que se mueve la cadena donde hace contacto con la madera. Por lo tanto, el operador debe estar preparado para controlar el movimiento de TRACCIÓN cuando está cortando con el borde inferior de la espada y el movimiento de EMPUJE cuando está cortando con el borde superior (Fig. 7).
- **Evite el contacto accidental con la cadena de la motosierra estática o los rieles de la espada.** Estas pueden ser muy filosas. Use siempre guantes y pantalones largos o chaparreras al manipular la motosierra, la cadena de la motosierra o la espada.
- **No utilice nunca una motosierra si está dañada o ajustada incorrectamente, o si no está ensamblada de forma completa y segura.** Asegúrese de que la cadena de la sierra se detenga al soltar el gatillo interruptor.



- **Al leñar, asegure la pieza de trabajo antes de cortarla. Al talar o podar árboles, identifique y asegure las ramas peligrosas.**
- **Si se usa la motosierra indebidamente o se abusa al cortar el material, se puede producir el desgaste prematuro de la espada, la cadena o el piñón, además de que puede averiarse la cadena o la espada y producirse el efecto de contragolpe, despedirse la cadena o dispararse el material.**

- **No use nunca la espada como palanca.** Si la espada está doblada, se puede producir desgaste prematuro de la espada, la cadena y/o el piñón, además de que puede romperse la cadena o la espada y producirse retroceso, lanzamiento de la cadena o eyección del material.
- **Corte solo una pieza de trabajo a la vez.**
- **Use solamente los paquetes de batería y los cargadores que se indican a continuación:**

PAQUETE DE BATERÍA	CARGADOR
BA1400, BA1400-FC, BA2800, BA2800-FC, BA4200, BA4200-FC, BA1400T, BA1400T-FC, BA2242T, BA2242T-FC, BA2800T, BA2800T-FC, BA3360T, BA3360T-FC, BA4200T, BA4200T-FC, BA4480T, BA4480T-FC, BA5600T, BA5600T-FC, BA6720T, BA6720T-FC	CH2100, CH2100-FC, CH3200, CH3200-FC, CH5500, CH5500-FC, CH2800D, CH2800D-FC, CH7000, CH7000-FC

- **No cargue el paquete de batería en la lluvia o en lugares húmedos.**
- **Si se presentan situaciones que no se cubren en este manual, proceda con precaución y buen juicio. Póngase en contacto con el Departamento de Servicio al Cliente de EGO para obtener ayuda.**

INSTRUCCIONES DE SEGURIDAD ADICIONALES

⚠ ADVERTENCIA: El taladrado, el aserrado, el lijado o el maquinado de productos de madera puede exponerlo a usted a polvo de madera, una sustancia que el Estado de California sabe que causa cáncer. Evite inhalar el polvo de madera o utilice una máscara antipolvo u otras salvaguardas de protección personal. Para obtener más información, visite www.P65Warnings.ca.gov/wood.

⚠ ADVERTENCIA: Cierta polvo generado por las operaciones de lijado, aserrado, amolado y taladrado con herramientas eléctricas, así como por otras actividades de construcción, contiene sustancias químicas que el estado de California sabe que causan cáncer, defectos de nacimiento u otros daños sobre la reproducción. Algunos ejemplos de estas sustancias químicas son:

- Plomo procedente de pinturas a base de plomo
- Sílice cristalina procedente de ladrillos, cemento y otros productos de mampostería

- Arsénico y cromo procedentes de madera de construcción tratada químicamente

El riesgo para usted por causa de estas exposiciones varía, dependiendo de qué tan a menudo realice este tipo de trabajo. Para reducir su exposición a estas sustancias químicas:

- Trabaje en un área bien ventilada.
- Trabaje con equipo de seguridad aprobado, tal como máscaras antipolvo que estén diseñadas especialmente para filtrar las partículas microscópicas.
- Evite el contacto prolongado con el polvo procedente de las operaciones de lijado, aserrado, amolado y taladrado con herramientas eléctricas, así como de otras actividades de construcción. Use ropa protectora y lave las áreas expuestas del cuerpo con agua y jabón. Si deja que le entre polvo en la boca o en los ojos, o que le quede polvo en la piel, es posible que se promueva la absorción de sustancias químicas perjudiciales.

DECLARACIÓN DE LA FCC

1. Este dispositivo cumple con la Parte 15 de las Reglas de la FCC. Su utilización está sujeta a las dos condiciones siguientes:
 - 1) Este dispositivo no podrá causar interferencia perjudicial.
 - 2) Este dispositivo debe aceptar cualquier interferencia que reciba, incluyendo interferencia que pueda causar un funcionamiento no deseado.
2. Los cambios o las modificaciones no aprobados expresamente por la parte responsable del cumplimiento de la normativa podrían anular la autoridad del usuario para utilizar el equipo.

AVISO: Este equipo ha sido sometido a pruebas y se ha demostrado que cumple con los límites para un dispositivo digital de Clase B, conforme a la Parte 15 de las Reglas de la FCC. Estos límites están diseñados para proporcionar una protección razonable contra la interferencia perjudicial en una instalación doméstica. Este equipo genera, utiliza y puede irradiar energía de radiofrecuencia y, si no se instala y se utiliza de acuerdo con las instrucciones, es posible que cause interferencia perjudicial para las radiocomunicaciones. Sin embargo, no hay garantía de que no se vaya a producir interferencia en una instalación en particular. Si este equipo efectivamente causa interferencia perjudicial para la recepción de radio o televisión, lo cual se puede determinar apagando y encendiendo el equipo, se insta al usuario a que intente corregir la interferencia mediante una o más de las siguientes medidas: Reoriente o reubique la antena receptora. Aumente la separación entre el equipo y el receptor. Conecte el equipo a un tomacorriente de un circuito diferente al circuito al cual el receptor esté conectado. Para obtener ayuda, consulte con el distribuidor o con un técnico de radio y televisión experimentado.

¡GUARDE ESTAS INSTRUCCIONES! Consúltelas frecuentemente y úselas para instruir a otras personas que puedan utilizar este producto. Si le presta este producto a otra persona, préstele también estas instrucciones para evitar un uso incorrecto del producto y posibles lesiones.

INTRODUCCIÓN

Felicitaciones por su selección de la MOTOSIERRA EGO de ion litio de 56 V. Esta motosierra ha sido diseñada, concebida y fabricada para ofrecerle a usted la mejor confiabilidad y el mejor rendimiento posibles.


En caso de que tuviera algún problema que no pudiera resolver fácilmente, póngase en contacto con el Centro de Servicio al Cliente de EGO llamando al 1-855-EGO-5656.

Este manual contiene información importante para el ensamble, el funcionamiento y el mantenimiento seguro de su producto. Léalo detenidamente antes de usar el producto. Mantenga este manual a mano para poder consultarlo en cualquier momento.

NÚMERO DE SERIE _____ FECHA DE COMPRA _____

DEBE ANOTAR EL NÚMERO DE SERIE Y LA FECHA DE COMPRA Y CONSERVARLOS EN UN LUGAR SEGURO PARA CONSULTARLOS EN EL FUTURO.

ESPECIFICACIONES

Tensión nominal	56 V CC 
Longitud de la espada	20 pulgadas (500 mm)
Paso de la cadena	3/8"
Calibre de la cadena	0.050 pulgadas (1,27mm)
Número de eslabones guía	69
Velocidad máx. de la cadena	25 m/s
Capacidad del depósito de aceite de la cadena	8.5 oz (250ml)
Temperatura de funcionamiento recomendada	-15-40 °C (5-104 °F)
Temperatura de almacenamiento recomendada	-20-70 °C (-4-158 °F)
Peso (sin paquete de batería, cadena de sierra, espada, cubierta lateral, aceite ni funda de la cadena)	8.6 lb. (3.9kg)
Grado de protección contra la penetración	IPX4* (Protección contra las salpicaduras de agua)

* **NOTA:** La calificación IPX4 se basa en que la máquina y la batería se utilicen juntas como un sistema.

LISTA DE EMPAQUE

NOMBRE DE LA PIEZA	CANTIDAD
Motosierra	1
Funda de la cadena	1
Manual del operador	1

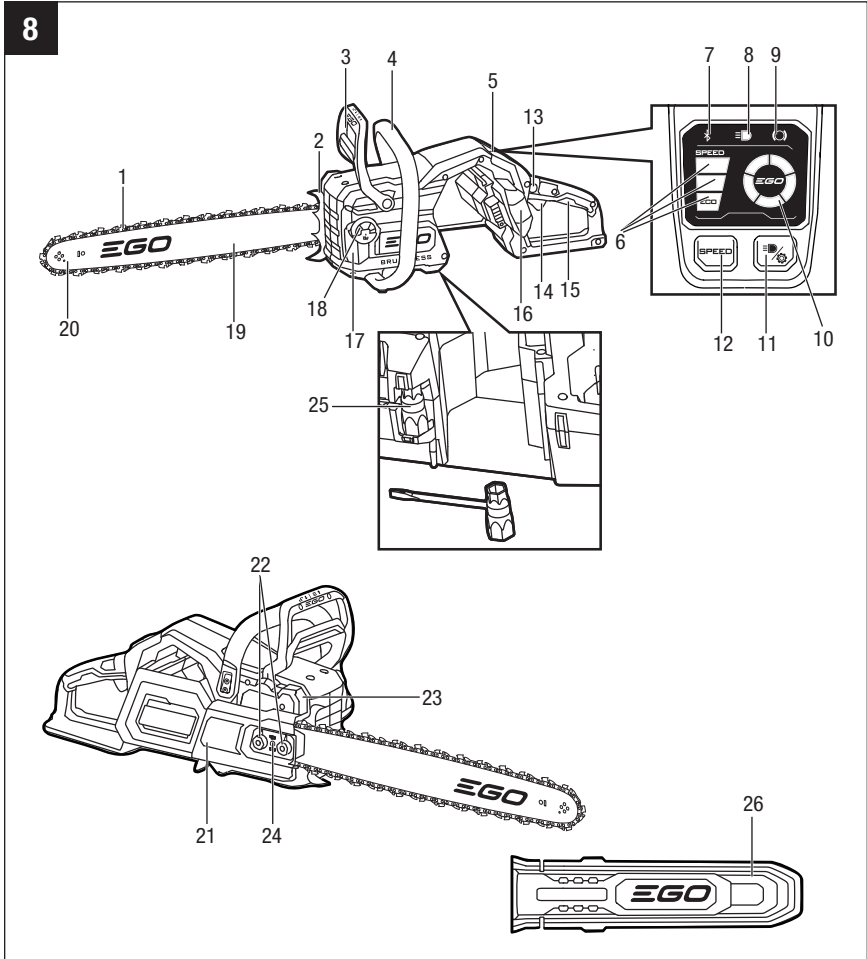
ACCESORIOS

⚠ ADVERTENCIA: Utilice solo los accesorios que se indican a continuación. Es posible que el uso de accesorios que no cumplan con las especificaciones del equipo original cause un rendimiento incorrecto y ponga en peligro la seguridad.

NOMBRE DE LA PIEZA	NÚMERO DE MODELO
Espada	AG2005
Cadena de sierra	AC2005

DESCRIPCIÓN

CONOZCA SU MOTOSIERRA (Fig. 8)



1. Cadena de la motosierra
2. Púas tronzadoras de troncos
3. Paleta del freno antirretroceso de la cadena
4. Empuñadura delantera
5. Pantalla LCD
6. Barras de velocidad
7. Ícono de Bluetooth
8. Ícono de luz delantera
9. Ícono de freno
10. Círculo del indicador de combustible
11. Botón de luz delantera/Bluetooth
12. Botón de velocidad de la cadena
13. Botón de bloqueo en apagado
14. Interruptor gatillo
15. Empuñadura trasera
16. Botón de liberación de la batería
17. Ventana de inspección del aceite
18. Tapa del depósito de aceite
19. Espada
20. Orificio de lubricación
21. Cubierta lateral
22. Tuercas de la cubierta lateral
23. Luz delantera LED
24. Perno tensor de la cadena
25. Llave de tubo de doble extremo
26. Funda de la cadena

⚠ ADVERTENCIA: El uso seguro de este producto requiere la comprensión de la información impresa en la herramienta y en el Manual del usuario, así como ciertos conocimientos sobre el proyecto a realizar. Antes de usar este producto, familiarícese con todas las características operativas y reglas de seguridad.

Paleta del freno antirretroceso de la cadena

El uso seguro de este producto requiere que se comprenda la información que figura en la herramienta y en este manual del usuario, además del conocimiento del proyecto que desea llevar a cabo. Antes de usar este producto, familiarícese con todas las características operativas y reglas de seguridad.

Interruptor gatillo

Enciende y apaga la motosierra y ajusta la velocidad de la cadena.

Botón de fijación en apagado

Ayuda a prevenir la activación accidental o no autorizada del interruptor gatillo. Se debe presionar antes de que el interruptor gatillo se pueda activar.

Tapa del tanque de aceite

Sella el tanque de aceite.

Ventana de inspección del aceite

Proporciona una vista del nivel del aceite en el tanque de aceite.

Cadena de la sierra

Un bucle de cadena que tiene dientes de corte que cortan la madera cuando la cadena es impulsada por el cabezal motriz de la motosierra y soportada por la espada.

Funda de la cadena

La funda de la cadena evita que el operador entre en contacto con los dientes afilados de la cadena cuando la herramienta no se está utilizando. También ayuda a evitar que los dientes de la cadena se mellen o dañen durante el transporte de la motosierra o cuando la misma esté almacenada.

Espada

Soporta y guía la cadena de la sierra.

Empuñadura delantera

La empuñadura de soporte para la mano izquierda en la parte delantera de la motosierra.

Empuñadura trasera

La empuñadura de soporte para la mano derecha, ubicada en la parte trasera de la sierra. **Agarre siempre la motosierra con la mano derecha en la empuñadura trasera y la mano izquierda en la empuñadura delantera.**

Cubierta lateral

Cubre el piñón de transmisión y fija la espada.

Perilla de la cubierta lateral

Cubre el piñón de transmisión y fija la espada.

Botón de liberación de la batería

Presione este botón para liberar el paquete de batería de la herramienta.

Luz delantera LED

La luz delantera LED está ubicada en la parte delantera de la motosierra. Esta característica proporciona iluminación para aumentar la visibilidad con 2 niveles de luminosidad disponibles.

Púas tronzadoras de troncos

Los dientes puntiagudos metálicos diseñados para utilizarse cuando se tale o cuando se tronquen troncos para pivotar la cadena de la sierra y mantener la posición, con lo cual se evita que la madera se deslice durante el aserrado. Pueden mejorar la eficiencia de corte.

Botón de velocidad de la cadena

Cambia entre el modo de velocidad de la cadena alto, intermedio y bajo para diferentes tareas que se vayan a realizar.

Botón de luz delantera/Bluetooth

Cambia la intensidad de la luz delantera y soporta la conexión de Bluetooth.

Pantalla LCD

Muestra el nivel de carga del paquete de batería y la conexión de Bluetooth, la intensidad de la luz delantera, la velocidad de la cadena y el estado del freno de la motosierra.

ENSAMBLAJE

⚠ ADVERTENCIA: si hay piezas dañadas o faltan piezas, no utilice el producto hasta que las reemplace. Usar este producto con piezas dañadas o faltantes podría provocar lesiones personales graves.

⚠ ADVERTENCIA: No intente modificar este producto ni crear accesorios que no sean recomendados para utilizar con este producto. Cualquier alteración o modificación se considera un uso inapropiado y podría generar una condición peligrosa y provocar lesiones personales graves.

⚠ ADVERTENCIA: para evitar un arranque accidental, que puede causar lesiones graves personales, siempre retire el enchufe de la herramienta cuando no esté en uso o cuando esté ensamblando las piezas, realizando ajustes o limpiándola.

DESEMPAQUE

- Este producto se ha enviado completamente ensamblado.
- Saque cuidadosamente el producto y los accesorios de la caja. Asegúrese de que todos los elementos que aparecen en la lista de empaque estén incluidos.
- Inspeccione minuciosamente la herramienta para asegurarse de que no se hayan producido roturas o daños durante su envío.
- No deseche el material de embalaje hasta que haya inspeccionado cuidadosamente y utilizado satisfactoriamente la herramienta.
- Si alguna pieza está dañada o falta, sírvase contactar a Servicio al Cliente de EGO para obtener asistencia.

UTILIZACIÓN

⚠ ADVERTENCIA: No deje que la familiaridad con este producto le haga volverse descuidado. Recuerde que una fracción de segundo de descuido es suficiente para causar lesiones graves.

⚠ ADVERTENCIA: Use siempre protección de los ojos que esté marcada para cumplir con la norma ANSI Z87.1. Si no se hace así, el resultado podría ser que se lancen objetos hacia los ojos del operador y otras posibles lesiones graves.

⚠ ADVERTENCIA: No utilice aditamentos o accesorios no recomendados por el fabricante de este producto. El uso de aditamentos o accesorios no recomendados puede causar lesiones corporales graves.

Antes de cada uso, inspeccione todo el producto para determinar si hay piezas dañadas, si faltan piezas o si hay piezas flojas, tales como tornillos, tuercas, pernos, etc. Apriete firmemente todos los sujetadores y todas las tapas, y no utilice este producto hasta que todas las piezas que falten o estén dañadas hayan sido reemplazadas.

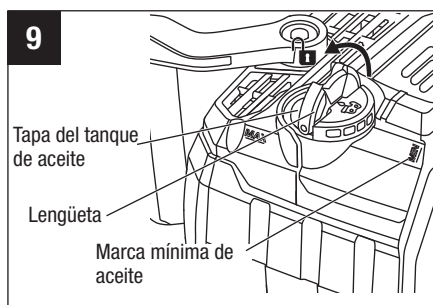
APLICACIÓN

Puede utilizar este producto para realizar operaciones básicas de tala, desrame, poda y corte en madera y árboles.

LLENADO DEL TANQUE DE ACEITE CON LUBRICANTE PARA ESPADAS Y CADENAS

⚠ ADVERTENCIA: Para prevenir arranques accidentales que podrían causar lesiones corporales graves, retire siempre el paquete de batería de la herramienta antes de llenar el tanque con aceite.

⚠ ADVERTENCIA: No fume ni traiga fuegos o llamas cerca del aceite o la motosierra. Es posible que el aceite se derrame y cause un incendio.



AVISO: La motosierra no está llena de aceite en el momento de su compra. Es esencial llenar el tanque con aceite antes de utilizarla. Utilizar la motosierra sin aceite para cadenas o cuando el nivel del aceite esté por debajo de la marca mínima tendrá como resultado daños a la motosierra. La vida útil de la cadena y la capacidad de corte dependen de que la lubricación sea óptima. La cadena se lubrica automáticamente con aceite para cadenas durante la utilización de la motosierra, si hay suficiente aceite en el tanque de aceite.

1. Retire el paquete de batería de la motosierra.
2. Limpie la tapa del tanque de aceite y el área alrededor de la misma para asegurarse de que no caiga suciedad en el tanque de aceite.
3. Acueste la motosierra sobre una superficie firme y plana, de manera que la tapa del tanque de aceite esté orientada hacia arriba. Voltee la lengüeta de la tapa del tanque de aceite y rote dicha tapa en sentido contrario al de las agujas del reloj para retirarla (Fig. 9).
4. Vierta cuidadosamente el aceite para espadas y cadenas en el tanque. Llene el tanque hasta la línea MÁX. y elimine con un paño todo exceso de aceite.
5. Reinstale la tapa, enderece la sierra y vea el nivel a través de la ventana de inspección del aceite. El aceite deberá llenar la ventana.

AVISO:

- Utilice aceite para espadas y cadenas EGO AOL3200 o AOL1000 para obtener los mejores resultados. Dicho aceite está diseñado especialmente para producir baja fricción y cortes más rápidos.
- No utilice nunca aceite u otros lubricantes que no estén diseñados específicamente para utilizarse en la espada y la cadena. Esto puede hacer que el sistema de aceite se obstruya, lo cual es posible que cause desgaste prematuro de la espada y la cadena.
- Compruebe frecuentemente el nivel de aceite y llene el tanque cuando dicho nivel descienda por debajo de la línea mínima. No utilice nunca la motosierra si el aceite no es visible.
- No utilice aceite sucio, usado o que esté contaminado de alguna otra manera. Es posible que ocurran daños en la espada o la cadena.
- Es normal que escape aceite de la sierra cuando la misma no se esté utilizando. Para prevenir los escapes, vacíe el tanque de aceite después de cada uso y luego tenga en funcionamiento la sierra durante un minuto. Cuando almacene la

herramienta por un período de tiempo prolongado, asegúrese de que la cadena esté ligeramente lubricada. Esto evitará que se forme óxido en el piñón de la cadena y la espada.

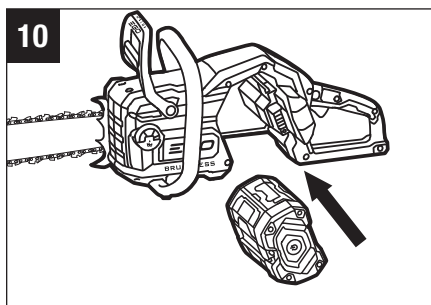
- Para preservar los recursos naturales, sírvase reciclar o desechar adecuadamente el aceite. Consulte a su autoridad local de eliminación de residuos para obtener información sobre las opciones de reciclaje y eliminación disponibles.

PARA INSTALAR/RETIRAR EL PAQUETE DE BATERÍA

AVISO: El círculo del indicador de combustible ubicado en la pantalla LCD indica el nivel de carga de la batería (Fig. 8). Cargue completamente el paquete de batería antes del primer uso.

Para instalar el paquete de batería (Fig. 10)

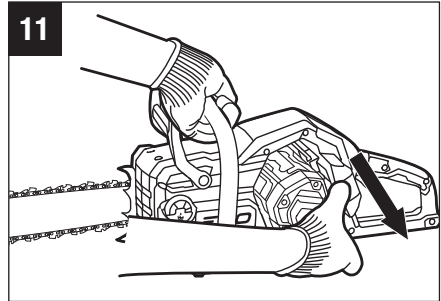
1. Alinee las costillas del paquete de batería con las ranuras de montaje del puerto para la batería de la motosierra.
2. Deslice el paquete de batería hacia el interior de la herramienta hasta que se acople audiblemente a presión en la posición correcta.



⚠ AVERTENCIA: Asegúrese de que el pestillo ubicado en la motosierra se acople a presión en la posición correcta y que el paquete de batería esté firmemente sujeto a la motosierra antes de comenzar a utilizar la herramienta. Si no se asienta firmemente el paquete de batería, el resultado podría ser que el paquete de batería se caiga y con ello causes lesiones corporales graves.

Para desinstalar el paquete de batería (Fig. 11)

⚠ ADVERTENCIA: El operador debe estar atento siempre a la ubicación de sus pies, los niños o los animales domésticos que estén a su alrededor cuando presione el botón de liberación de la batería. Se podrían producir lesiones graves si el paquete de batería se cae. No retire NUNCA el paquete de batería en un lugar elevado.



1. Sostenga el paquete de batería en la palma de la mano.
2. Presione el botón de liberación de la batería con el dedo pulgar para desacoplar el paquete de batería del pestillo.
3. Agarre el paquete de batería y retírelo de la motosierra.

⚠ ADVERTENCIA: Para evitar lesiones corporales graves, retire siempre el paquete de batería y mantenga las manos alejadas del botón de fijación en apagado y del interruptor gatillo cuando lleve o transporte la motosierra.

ARRANQUE/PARADA DE LA MOTOSIERRA

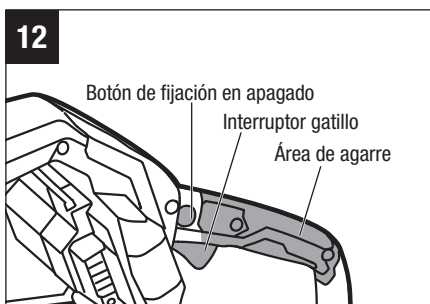
Antes de arrancar la motosierra:

1. Retire el paquete de batería.
2. Asegúrese de que la cadena esté montada adecuadamente y que esté tensada correctamente de acuerdo con el capítulo “AJUSTE DE LA TENSIÓN DE LA CADENA” que aparece más adelante en este manual.
3. Compruebe la cubierta lateral para asegurarse de que esté contra la espada y la cadena de la sierra sin ninguna flojedad ni daños.
4. Compruebe el nivel del aceite y llene el tanque según sea necesario. Asegúrese de que la cadena esté bien lubricada.
5. Compruebe si los dientes de corte de la cadena de la sierra están afilados.
6. Asegúrese de que la paleta del freno antirretroceso de la cadena se mueva fácilmente hasta la posición de freno y fácilmente hacia delante entre la posición de freno y la posición de funcionamiento.

7. Agarre la motosierra con las dos manos: con la mano derecha en la empuñadura trasera y la mano izquierda en la empuñadura delantera.
8. Asegúrese de tener un apoyo de los pies firme y equilibrado. Esté atento a los obstáculos, tales como tocones de árbol, raíces y zanjas, que podrían hacer que tropiece o dé un traspie.
9. Póngase de pie, sostenga la motosierra en una posición relajada y asegúrese de que la cadena de la sierra no esté tocando el piso ni otros objetos.

Para arrancar la motosierra (Fig. 12)

1. Instale el paquete de batería.
2. Asegúrese de que los objetos o las obstrucciones que podrían entrar en contacto con la espada y la cadena no estén en proximidad inmediata.
3. Jale la paleta del freno antirretroceso de la cadena hacia la empuñadura delantera hasta la posición de funcionamiento (vea la Fig. 1).
4. Agarre firmemente la empuñadura delantera con la mano izquierda y la empuñadura trasera con la mano derecha.



⚠ ADVERTENCIA: Para evitar lesiones, utilice siempre la motosierra con la mano derecha sujetando el área de agarre de la empuñadura trasera.

5. Presione y mantenga presionado el botón de fijación en apagado con el dedo pulgar de la mano derecha y luego apriete el interruptor gatillo con los dedos de la mano derecha para arrancar la sierra.
6. Suelte el botón de fijación en apagado y continúe comprimiendo el interruptor gatillo para funcionamiento continuo. Cuanto más se presione el gatillo, mayor será la velocidad de la cadena.

⚠ ADVERTENCIA: No intente arrancar la motosierra cuando la cadena de la sierra esté en un corte o en contacto con cualquier superficie.

Para detener la motosierra

1. Mueva la motosierra alejándola del área de corte y luego suelte el interruptor gatillo para detener la motosierra.
2. Empuje hacia delante la paleta del freno antirretroceso de la cadena, hasta la posición de freno, para activar el freno de la cadena (Fig. 1).

⚠ ADVERTENCIA: Retire siempre el paquete de batería de la motosierra durante las pausas de descanso del trabajo y después de acabar el trabajo.

CAMBIO DEL MODO DE VELOCIDAD (Fig. 13)

Esta máquina cuenta con tres modos de velocidad. Cada modo de velocidad limita la velocidad máxima de la motosierra.

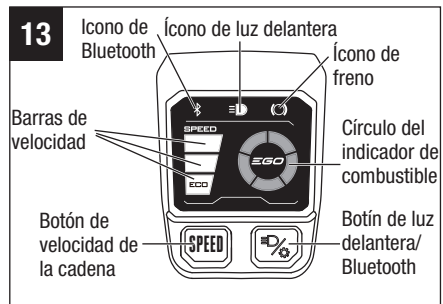
El modo de velocidad puede cambiar con cada pulsación del botón de modo de velocidad de la cadena.

Las barras de velocidad ubicadas en la pantalla LCD mostrarán el modo de velocidad activo: una barra para velocidad baja, dos barras para velocidad intermedia y tres barras para velocidad alta. El modo de velocidad baja (ECO) proporciona un mejor control de la máquina y un tiempo de funcionamiento más prolongado por carga.

NOTA: Cuando utilice un paquete de batería EGO con una capacidad nominal de 2,5 Ah o menos, solo está disponible el modo ECO. Y el uso de un paquete de batería EGO con una capacidad nominal de menos de 6,0 Ah no le permitirá a usted alcanzar una velocidad alta. Para obtener el mejor rendimiento, recomendamos enfáticamente el uso de paquetes de batería EGO que sean de 6,0 Ah (p. ej., BA3360T/BA3360T-FC) o más.



NOTA: La función de memoria de velocidad de la máquina recordará la última configuración de velocidad y la activará la próxima vez que se encienda la máquina.

NOTA: La pantalla LCD se ilumina al jalar el interruptor gatillo o al presionar el botón de velocidad o el botón de luz delantera/Bluetooth. La pantalla se apagará automáticamente después de aproximadamente 30 segundos de inactividad de la cadena de la sierra.

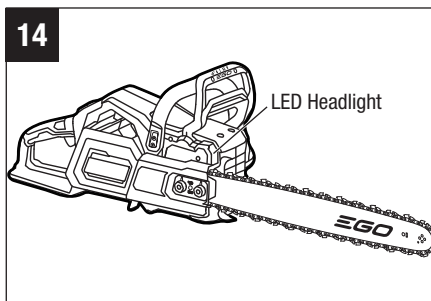


LUZ DELANTERA LED (Fig. 14)

La luz delantera LED está ubicada en la parte delantera de la carcasa de la motosierra. La luz delantera proporciona iluminación para aumentar la visibilidad y cuenta con 2 niveles de luminosidad.

Encienda la luz delantera y presione una vez el botón de luz delantera/Bluetooth. La luz delantera se encenderá en el nivel de luminosidad baja y el ícono de LED  aparecerá en la pantalla LCD. Presione de nuevo el botón de luz delantera/Bluetooth para cambiar al nivel de luminosidad alta y el ícono de LED  aparecerá en la pantalla LCD (Fig. 13).

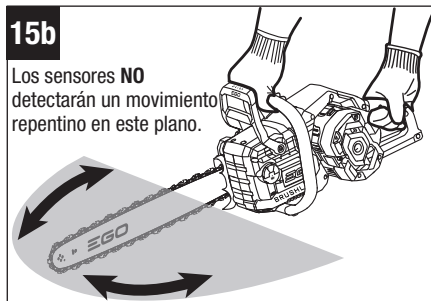
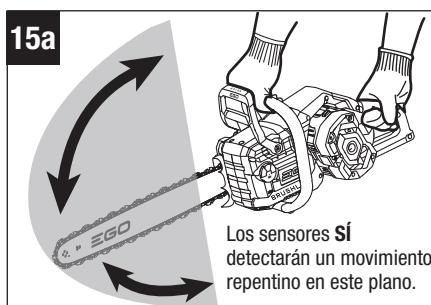
Apague la luz delantera, presione por tercera vez el botón de luz delantera/Bluetooth y el ícono de LED desaparecerá de la pantalla LCD.



SISTEMA OMNIDIRECCIONAL DE FRENO DE LA CADENA (Fig. 15a y Fig. 15b)

⚠ ADVERTENCIA: El sistema omnidireccional de freno de la cadena no está diseñado para actuar como sustituto del freno de la cadena estándar/tradicional. El usuario no deberá confiar nunca en este dispositivo durante la utilización de la motosierra para protegerse contra el retroceso. Siga siempre las instrucciones de seguridad relacionadas con la mitigación del retroceso que se encuentran en la sección de advertencias de este manual.

La motosierra viene equipada con un sistema omnidireccional de freno de la cadena que utiliza sensores a bordo para monitorear el movimiento de la motosierra y que activará el freno si se detecta un movimiento repentino de la sierra en el plano de la espada.



Cuando el sistema omnidireccional de freno de la cadena se active y detenga la sierra, el ícono de freno (C) estará parpadeando en la pantalla LCD (Fig. 13). Suelte el interruptor gatillo, retire de la madera la cadena y la espada de la sierra y luego re arranque la motosierra.

NOTA: Los sensores detectarán solo un movimiento repentino de la sierra en el plano de la espada. Los sensores no detectarán ningún movimiento repentino de la sierra lateralmente (es decir, perpendicular al plano de la espada).

APP EGO CONNECT

La app EGO Connect proporciona funciones extendidas para su producto EGO.

- Información de producto extendida.
- Información sobre y ayuda con las piezas y el servicio de ajustes y reparaciones del producto.

Tecnología inalámbrica Bluetooth®

Los productos con tecnología inalámbrica Bluetooth® incorporada se pueden conectar a dispositivos móviles y habilitan funciones adicionales de la app EGO Connect.

El símbolo de Bluetooth® se ilumina cuando la máquina se conecta a su dispositivo móvil.



Para comenzar a utilizar la app EGO Connect

1. Descargue gratis la app EGO Connect de la tienda Apple App Store o Google Play.
2. Inicie sesión o cree una cuenta en la app EGO Connect.
3. Siga los pasos de las instrucciones que se encuentran en la app EGO Connect para conectar y registrar el producto.

PREPARACIÓN PARA CORTAR

Consulte la sección “**Instrucciones importantes de seguridad**” que aparece anteriormente en este manual para informarse sobre el equipo de seguridad adecuado.

Precauciones en el área de trabajo

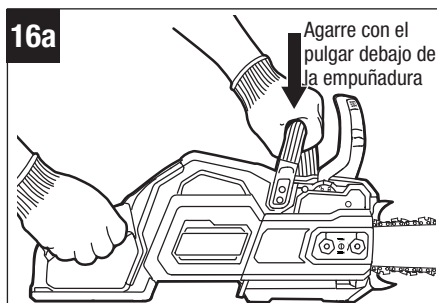
- Corte solo madera o materiales hechos de madera. No corte chapa metálica, plásticos, mampostería ni materiales de construcción que no sean de madera.
- No permita nunca que los niños utilicen la motosierra.
- No deje que ninguna persona que no haya leído este manual del operador o recibido instrucciones adecuadas para la utilización segura y adecuada utilice esta motosierra.
- Cuando tale un árbol, mantenga a todo el mundo –ayudantes, curiosos, niños y animales– a una distancia segura del área de corte. Durante las operaciones de tala, la distancia segura deberá ser al menos dos veces la altura de los árboles más altos del área de tala. Durante las operaciones de tronzado de troncos, mantenga una distancia mínima de 15 pies (4,5 m) entre los trabajadores. No se deberá talar árboles de manera que se pondría en peligro a cualquier persona, se golpearía cualquier línea de servicios públicos o se causarían daños materiales. Si un árbol entra en contacto con una línea de servicios públicos, manténgase alejado del árbol y de la línea, y notifique de inmediato a la empresa de servicios públicos.
- Corte siempre con los dos pies en terreno sólido para evitar ser jalado hasta desequilibrarse.
- No corte por encima de la altura del pecho, ya que una sierra que se sostenga a mayor altura es difícil de controlar contra las fuerzas de retroceso.
- No tale árboles cerca de cables eléctricos o edificios.
- Corte solo cuando la visibilidad y la luz sean adecuadas para que usted vea claramente.

Agarre adecuado en las empuñaduras

Use guantes antideslizantes para obtener el máximo agarre y la máxima protección.

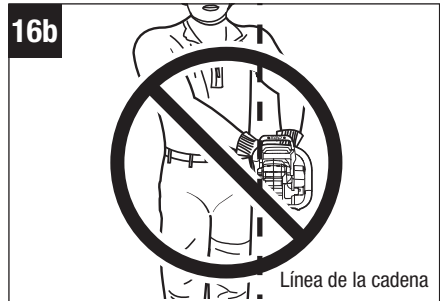
Con la sierra en una superficie plana y firme, agarre la sierra firmemente con las dos manos.

Agarre siempre la empuñadura delantera con la mano izquierda y la empuñadura trasera con la mano derecha.



Los dedos deberán formar un círculo alrededor de la empuñadura, de manera que el pulgar envuelva la parte inferior de la empuñadura delantera (Fig. 16a).

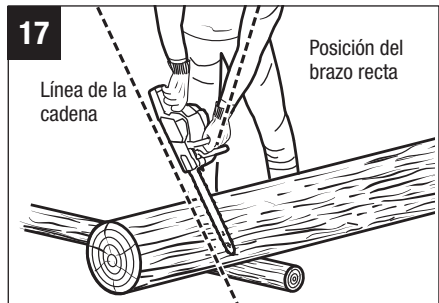
⚠ ADVERTENCIA: No use nunca un agarre con la mano izquierda (con las manos cruzadas) ni ninguna postura que podría poner el cuerpo o el brazo a través de la línea de la cadena.



⚠ ADVERTENCIA: No accione el interruptor gatillo de velocidad variable con la mano izquierda ni agarre la empuñadura delantera con la mano derecha. No deje nunca que ninguna parte del cuerpo esté en la línea de la cadena mientras esté utilizando una motosierra (Fig. 16b).

Postura de corte correcta (Fig. 17)

- Ambos pies deberán estar sobre terreno sólido, con el peso distribuido uniformemente entre ellos.
- El brazo izquierdo deberá estar recto, con el codo bloqueado. Esto ayuda a resistir las fuerzas generadas por el retroceso.
- El cuerpo del operador deberá estar siempre a la izquierda de la línea de la cadena.



OPERACIONES DE CORTE

Corte básico

⚠ ADVERTENCIA: Esté siempre seguro del apoyo de los pies y agarre firmemente la motosierra con las dos manos mientras el motor esté en funcionamiento.

Practique cortar unos cuantos troncos pequeños utilizando la siguiente técnica para obtener la “sensación” de utilizar la sierra antes de comenzar una operación de aserrado importante:

1. Adopte la postura adecuada frente a la madera con la sierra apagada.
2. Presione el botón de fijación en apagado y apriete el interruptor gatillo para arrancar la motosierra. Deje que la cadena alcance la velocidad máxima antes de comenzar el corte.
3. Comience a cortar presionando ligeramente la espada contra la cadena. Utilice solo una presión ligera, dejando que la sierra haga el trabajo.
4. Mantenga una velocidad constante durante todo el corte, reduciendo la presión justo antes del final del mismo.
5. Suelte el gatillo en cuanto se haya completado el corte, para permitir que la cadena se detenga.

⚠ ADVERTENCIA: Cuando la cadena de la sierra se detenga debido a un pellizcamiento durante el corte, suelte el interruptor gatillo de velocidad variable, retire la cadena de la sierra y la espada de la madera y luego re arranque la motosierra.

⚠ ADVERTENCIA: No jale la cadena de la sierra con la mano cuando esté obstruida por el aserrín. Podrían ocurrir lesiones graves si la motosierra arranca accidentalmente. Presione la cadena de la sierra contra la madera y mueva la motosierra hacia detrás y hacia delante para descargar los residuos. Retire siempre el paquete de batería antes de limpiar la unidad. Use guantes protectores gruesos cuando maneje la cadena de la sierra.

⚠ ADVERTENCIA: No arranque nunca la motosierra cuando esté en contacto con la madera. Deje siempre que la motosierra alcance su velocidad máxima antes de aplicarla a la madera.

TALA DE UN ÁRBOL

Condiciones peligrosas

⚠ ADVERTENCIA: Cuando tale un árbol, es importante que haga caso de las siguientes advertencias para prevenir posibles lesiones graves.

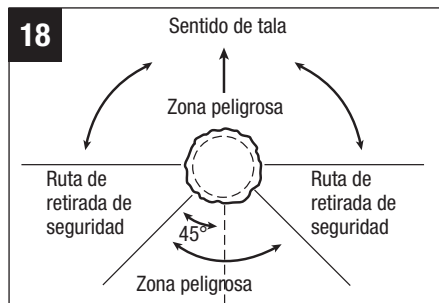
- No tale árboles durante períodos de viento fuerte o precipitación intensa. Espere a que el clima peligroso haya terminado.
- No tale árboles que estén inclinados en ángulos extremos ni árboles grandes con ramas podridas, corteza suelta o troncos huecos. En lugar de ello, haga que estos árboles sean empujados o arrastrados hasta caer con equipo pesado y luego córtelos en pedazos.
- No tale árboles cerca de cables eléctricos o edificios.
- Compruebe el árbol para determinar si hay ramas dañadas o muertas que podrían caer y golpearlo a usted durante la tala.
- Eche un vistazo periódicamente a la parte de arriba del árbol durante el corte trasero para asegurarse de que el árbol vaya a caer en el sentido deseado.
- Si el árbol comienza a caer en sentido incorrecto, o si la sierra queda atrapada o atorada durante la caída, ¡deje la sierra y sálvese usted!

Preparación para talar árboles

- Cuando las operaciones de tronzado de troncos y tala de árboles estén siendo realizadas por dos o más personas al mismo tiempo, la operación de tala deberá estar separada de la operación de tronzado de troncos por una distancia de al menos dos veces la altura del árbol que se esté talando. No se deberá talar árboles

de manera que se pondría en peligro a cualquier persona, se golpearía cualquier línea de servicios públicos o se causaría cualquier daño material. Si un árbol entra en contacto con una línea de servicios públicos, manténgase alejado del árbol y de la línea, y notifique de inmediato a la empresa de servicios públicos.

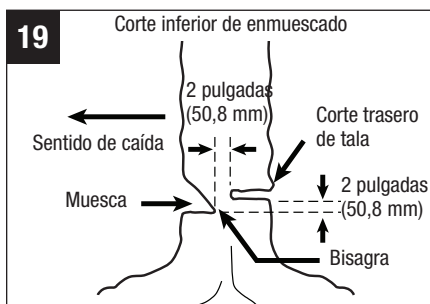
- El operador de la motosierra deberá situarse en el lado cuesta arriba del terreno, ya que es probable que el árbol ruede o se deslice cuesta abajo después de talarlo.



- Antes de comenzar cualquier corte, escoja su ruta de escape (o rutas, en caso de que la ruta prevista quede bloqueada). Despeje el área inmediata alrededor del árbol y asegúrese de que no haya obstrucciones en sus rutas de retirada planeadas. Despeje una ruta de retirada segura aproximadamente a 135° de la línea de caída planeada. La ruta de retirada se deberá extender hacia atrás y diagonalmente a la parte trasera de la línea de caída esperada. Vea la Figura 18.
- Antes de comenzar a talar, considere la inclinación natural del árbol, la ubicación de las ramas más grandes y la dirección del viento, para determinar en qué sentido caerá el árbol.
- Retire la suciedad, las piedras, la corteza suelta, los clavos, las grapas y el alambre del árbol donde se vayan a realizar cortes de tala.

Corte inferior de enmuescado

Haga que la muesca tenga 1/3 del diámetro del árbol, perpendicular al sentido de caída, tal y como se ilustra en la Fig. 19. Haga primero el corte de enmuescado horizontal más bajo. Esto ayudará a evitar pellizcar tanto la cadena de la sierra como la espada cuando se esté haciendo la segunda muesca.



Corte trasero de tala

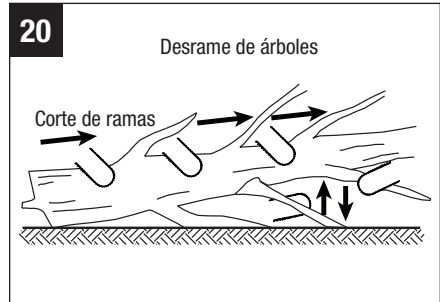
1. Marque el corte trasero de tala al menos 2 pulgadas (50,8 mm) más alto que el corte de enmuescado horizontal (vea la Fig. 19). Mantenga el corte trasero de tala paralelo al corte de enmuescado horizontal. Haga el corte trasero de tala de manera que se deje suficiente madera para que actúe como bisagra. La madera que actúa como bisagra impide que el árbol se tuerza y caiga en sentido incorrecto. No corte a través de la bisagra.
2. Cuando el corte de tala se acerque a la bisagra, el árbol debería empezar a caer. Si hay alguna probabilidad de que el árbol no caiga en el sentido deseado o que pueda oscilar hacia atrás y atorar la cadena de la sierra, detenga el corte antes de completar el corte trasero de tala y utilice cuñas de madera, plástico o aluminio para abrir el corte y dejar caer el árbol a lo largo de la línea de caída deseada.

3. Cuando el árbol comience a caer, retire la motosierra del corte, pare el motor, deje la motosierra en el piso y luego use la ruta de retirada planeada. Esté alerta a las ramas por encima de la cabeza que caigan y esté atento al apoyo de los pies.

DESFRAME

ramas de un árbol caído. Cuando desrame, deje las ramas más grandes para soportar el tronco separado del terreno. Retire las ramas pequeñas en un corte, tal y como se ilustra en la Fig. 20. Las ramas que estén bajo tensión se deberán cortar de abajo arriba, para evitar atorar la motosierra.

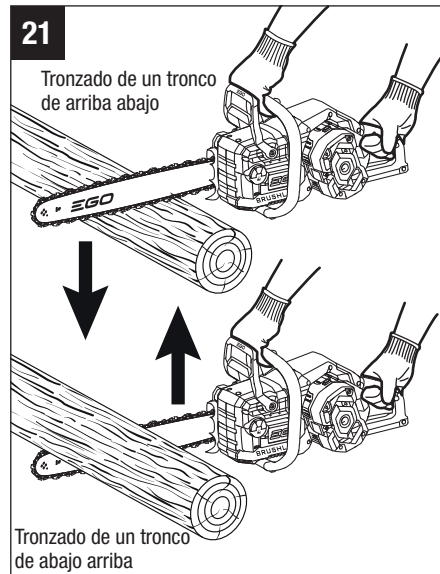
⚠ ADVERTENCIA: Hay peligro extremo de retroceso durante la operación de desrame. Tenga suma precaución y evite entrar en contacto con el tronco u otras ramas con la punta de la espada.



TRONZADO DE UN TRONCO (Fig. 21):

Tronzar es cortar un tronco en tramos longitudinales. Es importante asegurarse de que el apoyo de los pies sea firme y que el peso del operador esté distribuido uniformemente en ambos pies. Cuando sea posible, el tronco se deberá elevar y soportar mediante el uso de ramas, troncos o calzas. Siga las instrucciones sencillas para cortar fácilmente.

⚠ ADVERTENCIA: Mantenga despejada el área de corte. Asegúrese de que ningún objeto pueda entrar en contacto con la nariz de la espada y la cadena durante la operación de corte. Esto puede causar retroceso.



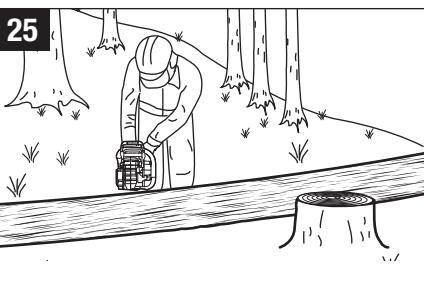
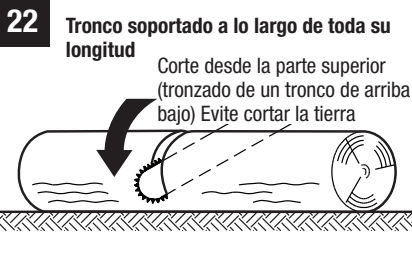
Tronzado de un tronco de arriba abajo

Comience en el lado superior del tronco con la parte inferior de la sierra contra el mismo; ejerza una presión ligera hacia abajo. Tenga presente que la sierra tenderá a jalar alejándose de usted.

Tronzado de un tronco de abajo arriba

Comience en el lado inferior del tronco con la parte superior de la sierra contra el mismo; ejerza una presión ligera hacia arriba. Durante el tronzado de un tronco de abajo arriba, la sierra tenderá a empujar hacia atrás, hacia usted. Esté preparado para esta reacción y agarre firmemente la sierra para mantener el control.

- Cuando el tronco esté soportado a lo largo de toda su longitud, se deberá cortar desde la parte superior (tronzado de un tronco de arriba abajo) (Fig. 22).
- Cuando el tronco esté soportado solo en un extremo, corte 1/3 del diámetro desde el lado inferior (tronzado de un tronco de abajo arriba). Luego, haga el corte de acabado tronzando de arriba abajo para encontrarse con el primer corte (Fig. 23).
- Cuando el tronco esté soportado en ambos extremos, corte 1/3 de ese diámetro desde el corte de tronzado de arriba abajo superior. Luego,



haga el corte acabado tronizando el tronco de abajo arriba los 2/3 inferiores para encontrarse con el primer corte (Fig. 24).

- Cuando tronce un tronco de arriba abajo en una pendiente, sitúese siempre en el lado cuesta arriba del tronco (Fig. 25).
- Para mantener un control completo cuando realice un corte pasante, reduzca la presión de corte cerca del final del corte sin relajar el agarre de las empuñaduras de la motosierra. No deje que la cadena entre en contacto con el terreno. Después de completar el corte, espere a que la cadena de la sierra se detenga antes de mover la motosierra. Pare siempre el motor antes de ir de un árbol a otro.

MANTENIMIENTO

⚠ ADVERTENCIA: Para evitar lesiones corporales graves, retire el paquete de batería de la motosierra antes de hacer servicio de ajustes y reparaciones, limpiarla, cambiar aditamentos adicionales, hacer cualquier mantenimiento o cuando el producto no se esté utilizando. Una motosierra alimentada por baterías con el paquete de batería insertado está siempre encendida y puede arrancar accidentalmente.

⚠ ADVERTENCIA: Cuando haga servicio de ajustes y reparaciones, utilice únicamente piezas de repuesto idénticas. Es posible que el uso de cualquier otra pieza cree un peligro o cause daños al producto.

⚠ ADVERTENCIA: Póngase siempre guantes gruesos cuando maneje la espada y la cadena. Tenga cuidado con la cadena de la sierra y protéjase las manos para que no resulten lesionadas por la cadena de la sierra.

⚠ ADVERTENCIA: Use siempre protección ocular con escudos laterales marcados para cumplir con la norma ANSI Z87.1. Si no se hace esto, el resultado podría ser que se lancen objetos hacia los ojos del operador y otras posibles lesiones graves.

MANTENIMIENTO GENERAL

Evite utilizar solventes cuando limpie piezas de plástico. La mayoría de los plásticos son susceptibles de sufrir daños causados por diversos tipos de solventes comerciales y es posible que resulten dañados por su uso. Use paños limpios para retirar la suciedad, el polvo, el aceite, la grasa, etc.

⚠ ADVERTENCIA: No deje en ningún momento que líquidos de freno, gasolina, productos a base de petróleo, aceites penetrantes, etc., entren en contacto con las piezas de plástico. Las sustancias químicas pueden dañar, debilitar o destruir el plástico, lo cual es posible que cause lesiones corporales graves.

⚠ ADVERTENCIA: Cuando limpie la motosierra, NO la sumerja en agua u otros líquidos.

LIMPIEZA

- Después de cada uso, elimine los residuos de la cadena y la espada con un cepillo blando. Limpie la superficie de la motosierra con un paño limpio humedecido con una solución de jabón suave.

- Retire la cubierta lateral y luego utilice un cepillo blando para retirar los residuos de la espada, la cadena de la sierra, el piñón y la cubierta lateral.
- Elimine siempre las virutas de madera, el aserrín y la suciedad del surco de la espada cuando reemplace la cadena de la sierra.

Todo el servicio de ajustes y reparaciones de la motosierra, que no sea de los artículos incluidos en las instrucciones de mantenimiento, deberá ser realizado por personal competente en el servicio de motosierras.

REEMPLAZO DE LA ESPADA Y LA CADENA

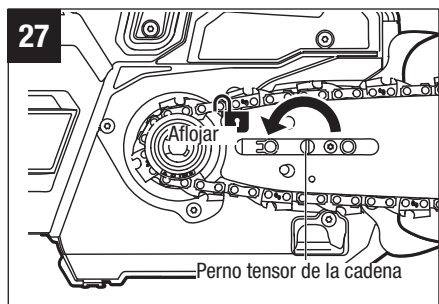
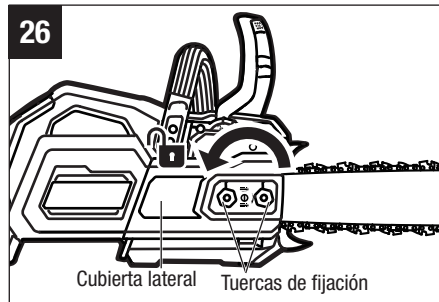
⚠ ADVERTENCIA: Use siempre guantes cuando maneje la espada y la cadena; estos componentes están afilados y es posible que contengan rebabas.

⚠ ADVERTENCIA: Nunca toque ni ajuste la cadena mientras el motor está en funcionamiento. La cadena de la sierra está muy afilada; use siempre guantes protectores al realizar el mantenimiento de la cadena.

AVISO: Al reemplazar la espada y la cadena, use siempre la combinación de espada y cadena especificada en la sección que figura más adelante, "Cadena y espada recomendadas para esta motosierra".

Desarmado de la espada y la cadena desgastadas

1. Retire la batería y deje que la sierra se enfríe. Asegúrese de que la tapa del tanque de aceite esté apretada para prevenir las fugas de aceite.
2. Apoye la motosierra de lado sobre una superficie firme y plana, de modo que la cubierta lateral quede hacia arriba (fig. 26).
3. Use guantes. Retire la cubierta lateral girando las dos tuercas de



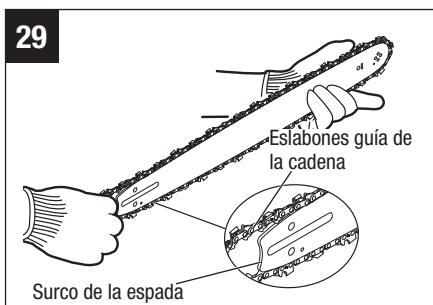
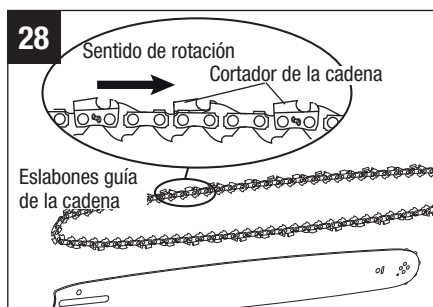
fijación en sentido contrario al de las agujas del reloj con la llave de tubo de doble extremo (Fig. 8) suministrada. Limpie la cubierta lateral con un paño seco.

4. Gire el perno tensor de la cadena en sentido contrario al de las agujas del reloj con el extremo plano de la llave de tubo de doble extremo suministrada para aflojar la cadena (Fig. 27).
5. Retire la espada y la cadena desgastadas de la superficie de montaje.

AVISO: Este es un buen momento para inspeccionar el piñón de transmisión en busca de desgaste excesivo o daños.

Ensamblaje de la espada y la cadena nuevas

1. Acueste la cadena de la sierra nueva formando un bucle sobre una superficie plana y enderece los enredos que pueda tener (fig. 28).
2. Coloque los eslabones guía de la cadena dentro del surco de la espada. Posicione la cadena de modo que haya un bucle en la parte posterior de la espada (fig. 29).
3. Sostenga la cadena en la posición correcta sobre la espada y coloque el bucle alrededor del piñón de transmisión de la sierra.



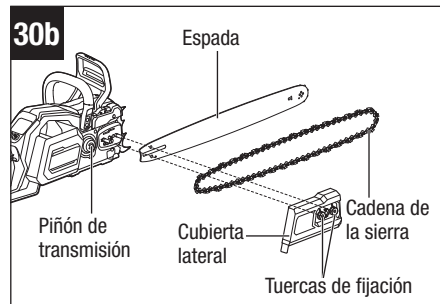
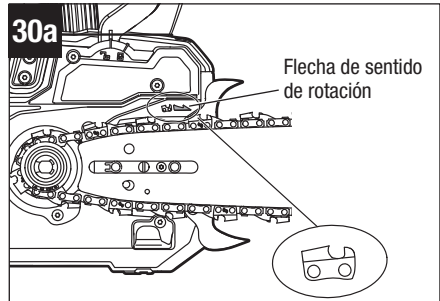
AVISO: Cuando forme un bucle con la cadena de la sierra sobre la espada, asegúrese de que, después de montar la espada en la sierra, el sentido de los cortadores de la cadena de la sierra coincida con el patrón de los cortadores y la flecha de sentido de rotación ubicada en la carcasa (Fig. 30a). Si están orientados en sentidos opuestos, reensamble la cadena de la sierra sobre la espada con los cortadores orientados en el mismo sentido.

4. Reinstale la cubierta lateral en la carcasa de la motosierra y apriete completamente las dos tuercas de fijación.

NOTA: Tense la cadena siguiendo las instrucciones del siguiente capítulo “AJUSTE DE LA TENSIÓN DE LA CADENA”.

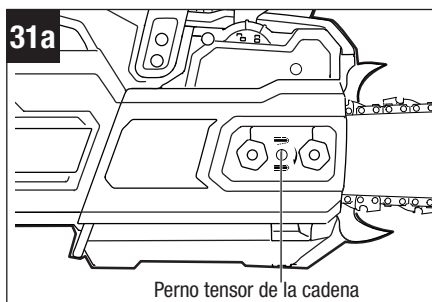
5. Rote la cadena con la mano para comprobar si está ensamblada correctamente sin atorarse. De lo contrario, reensamble la cadena y la espada.

⚠ PRECAUCIÓN: La cadena de la sierra se debe tensar correctamente antes de utilizarla.

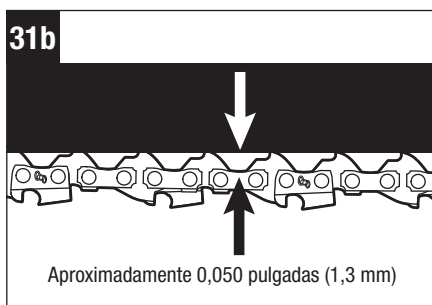


Ajuste de la tensión de la cadena

1. Pare el motor y retire el paquete de batería antes de ajustar la tensión de la cadena.
2. Gire el perno tensor de la cadena en el sentido de las agujas del reloj o en sentido contrario al de las agujas del reloj para ajustar la tensión de la cadena de acuerdo con las marcas ubicadas en la cubierta lateral alrededor del perno tensor de la cadena (Fig. 31a) hasta que la cadena se asiente perfectamente contra la espada con los eslabones guía en el surco de la espada.



- Una cadena fría está tensada correctamente cuando no hay holgura en el lado inferior de la espada y la cadena está tensa, pero se puede girar a mano sin que se atore. La cadena se debe retensar cuando las superficies planas de los eslabones guía no se asientan en el surco de la espada.
- Durante la utilización normal de la sierra, la temperatura de la cadena aumentará. Los eslabones guía de una cadena caliente tensada correctamente colgarán aproximadamente 0,050 pulgadas (1,3 mm) fuera del surco de la espada (Fig. 31b).



AVISO: Las cadenas nuevas tienden a estirarse. Compruebe frecuentemente la tensión de la cadena y ajústela según sea necesario.

AVISO: Es posible que una cadena tensada mientras está caliente esté demasiado tensa al enfriarse. Compruebe la tensión en frío antes del próximo uso.

MANTENIMIENTO DE LA CADENA

⚠ ADVERTENCIA: Use siempre guantes cuando maneje la cadena de la sierra. La cadena está afilada y es posible que contenga rebabas.

Utilice únicamente cadenas de bajo retroceso en esta sierra. Esta cadena de corte rápido proporcionará reducción del retroceso cuando se mantenga correctamente.

Una cadena bien afilada corta a través de la madera sin esfuerzo, incluso con muy poca presión. No utilice nunca una cadena desafilada o dañada. Una cadena de sierra con cortadores desafilados aumenta el esfuerzo físico que debe hacer el usuario y la carga de vibración, produce resultados de corte insatisfactorios y aumenta el desgaste.

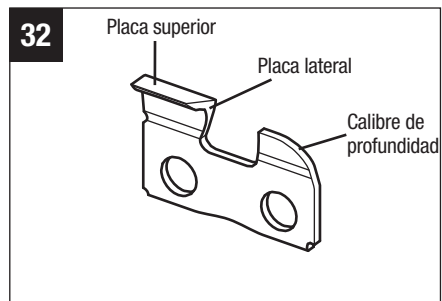
Para que el corte sea uniforme y rápido, la cadena debe mantenerse correctamente. La cadena debe afilarse cuando las astillas de madera son pequeñas y como polvo, la cadena debe forzarse para que atraviese la madera durante el corte o la cadena corta hacia un lado. Durante el mantenimiento de la cadena, tenga en cuenta lo siguiente:

- Un ángulo de limado incorrecto de la placa lateral puede aumentar el riesgo de un retroceso severo.
- Holgura de los dientes limpiadores (calibres de profundidad). Si es demasiado baja se aumenta el potencial de retroceso. Si no es suficientemente baja se reduce la capacidad de corte.
- Si los dientes de los cortadores han golpeado objetos duros, como clavos y piedras, o han sufrido abrasión por lodo o arena presente en la madera, haga que la cadena sea afilada por un técnico de servicio calificado.

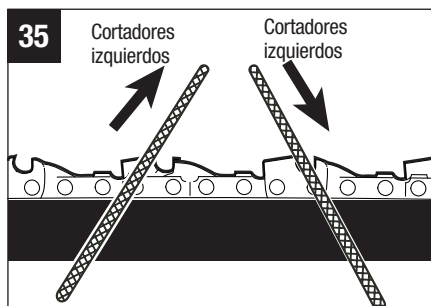
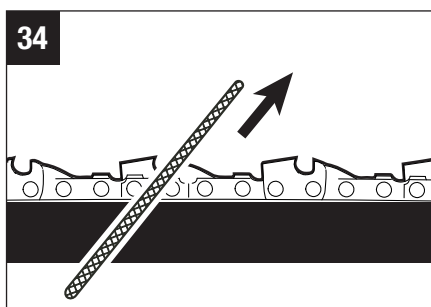
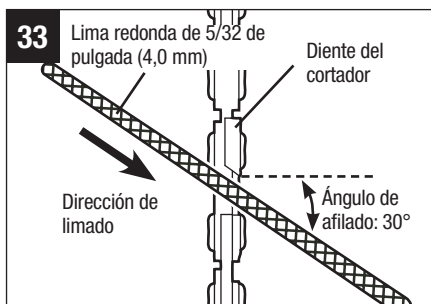
AVISO: Inspeccione el piñón de transmisión para determinar si está desgastado o dañado cuando reemplace la cadena. Si hay presentes señales de desgaste o daños en las áreas indicadas, haga que el piñón de transmisión sea reemplazado por un técnico de servicio calificado.

Cómo afilar los cortadores

Asegúrese de limar todos los cortadores (Fig. 32) conforme a los ángulos especificados y con la misma longitud, ya que solo se puede obtener un corte rápido cuando todos los cortadores son uniformes.



1. Retire el paquete de batería. Use guantes para protegerse.
2. Tense adecuadamente la cadena antes de afilarla. Consulte el capítulo “AJUSTE DE LA TENSIÓN DE LA CADENA” que aparece anteriormente en este manual.
3. Utilice una lima redonda de 5/32 de pulgada (4,0 mm) de diámetro y un portalamas (disponibles por separado). Realice todo el limado en la posición central de la espada.
4. Mantenga la lima nivelada con la placa superior del diente. No deje que la lima se hunda o se sacuda.
5. Mantenga un ángulo de afilado correcto de 30° entre la lima y la cadena de la sierra; vea las Fig. 33 y 34. Use siempre un portalamas (disponible por separado) cuando afile cadenas de sierra a mano. Los portalamas tienen marcas para el ángulo de afilado.
6. Haciendo una presión leve pero firme, haga movimientos hacia la esquina frontal del diente. Aleje la lima levantándola del acero en cada movimiento de regreso.
7. Haga unas cuantas pasadas firmes en cada diente. Lime todos los cortadores de la izquierda en un sentido. Luego, vaya al otro lado y lime los cortadores de la derecha en sentido contrario. Retire ocasionalmente las limaduras de la lima con un cepillo de alambre (Fig. 35).



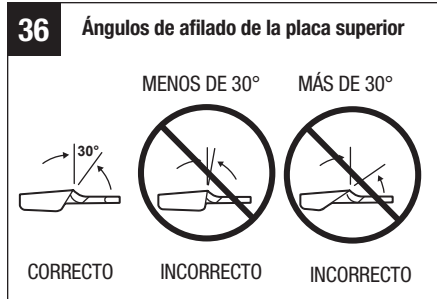
⚠ ADVERTENCIA: Una cadena desafilada o afilada incorrectamente puede causar una velocidad excesiva del motor durante el corte, lo cual puede provocar daños severos al motor.

⚠ ADVERTENCIA: Si el afilado de la cadena no es correcto, aumenta el potencial de retroceso.

⚠ ADVERTENCIA: Si no se reemplaza o repara una cadena dañada, se pueden causar lesiones graves.

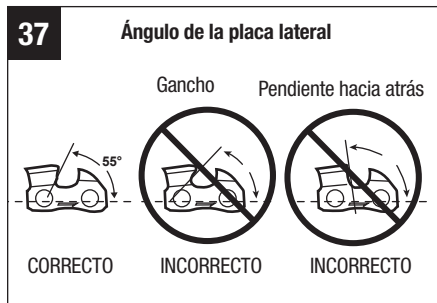
Ángulos de afilado de la placa superior (Fig. 36)

- **CORRECTO 30°:** Este ángulo óptimo se puede obtener solo cuando se utilicen las limas especificadas y la configuración adecuada. Los portalimas están marcados con marcas de guía para alinear la lima correctamente con el fin de producir el ángulo correcto de la placa superior.
- **MENOS DE 30°:** El diente está demasiado desafilado para cortar.
- **MÁS DE 30°:** El borde del diente de corte está biselado y se desafilá rápidamente.



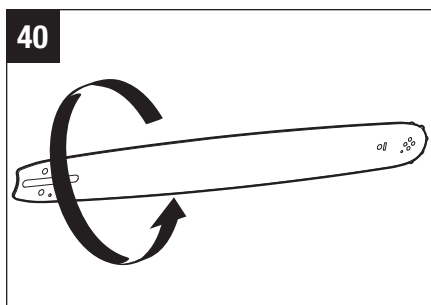
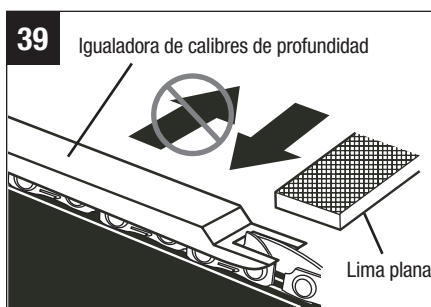
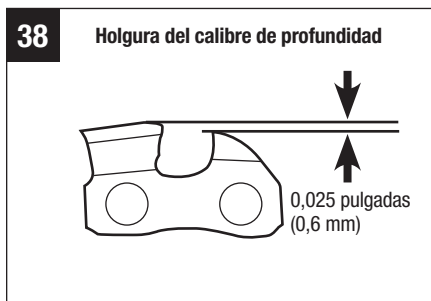
Ángulo de la placa lateral (Fig. 37)

- **CORRECTO 55°:** El ángulo óptimo se puede producir automáticamente si se utiliza una lima de diámetro correcto en el portalimas.
- **GANCHO:** Se “agarra” y desafila rápidamente. Aumenta el potencial de RETROCESO. Se produce como resultado de utilizar una lima con un diámetro que es demasiado pequeño o una lima que se sostiene demasiado baja.
- **PENDIENTE HACIA ATRÁS:** Necesita demasiada presión de avance, causa un desgaste excesivo en la espada y la cadena. Ocurre como resultado de utilizar una lima con un diámetro demasiado grande o una lima que se sostiene demasiado alta.



Holgura del calibre de profundidad

1. El calibre de profundidad debe mantenerse a una holgura de 0,025 pulgadas (0,6 mm), como se muestra en la Fig. 38. Use una herramienta de calibre de profundidad (disponible por separado) para verificar la holgura de los calibres de profundidad.
2. Compruebe la holgura del calibre de profundidad cada vez que se lime la cadena. Utilice una lima plana y una igualadora de calibres de profundidad (ambas disponibles por separado) para bajar uniformemente todos los calibres (Fig. 39). Las igualadoras de calibres de profundidad están disponibles de 0,020 a 0,035 pulgadas (0,5 a 0,9 mm). Use una igualadora de calibres de profundidad de 0,025 pulgadas (0,6 mm).
3. Los calibres de profundidad deben ajustarse con la lima plana en la misma dirección en que se limó el cortador adyacente con la lima redonda. Tenga cuidado de no tocar la superficie del cortador con la lima plana cuando ajuste los calibres de profundidad.



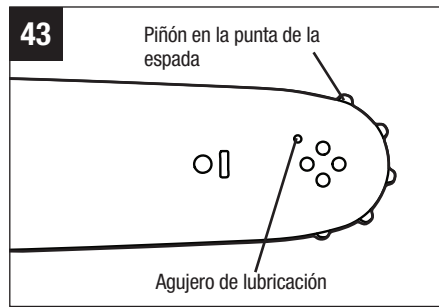
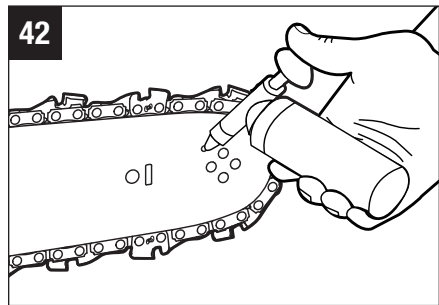
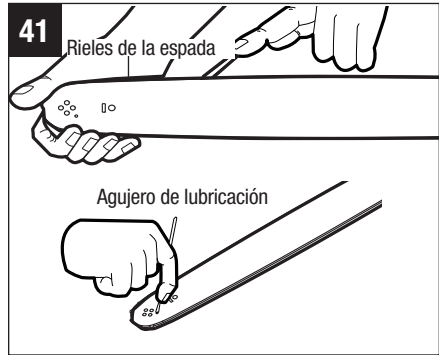
MANTENIMIENTO DE LA ESPADA

Cuando la espada muestre señales de desgaste, inviértala en la sierra para distribuir el desgaste con el fin de lograr la máxima vida útil de la espada (Fig. 40).

La espada se deberá limpiar cada día después de utilizarla y se deberá comprobar si tiene desgaste y daños (Fig. 41). La formación de salientes o rebabas en los rieles de la espada es un proceso normal de desgaste de la misma. Dichas fallas se deberán alisar con una lima en cuanto ocurran. Una espada con cualquiera de las siguientes fallas deberá ser reemplazada.

- Desgaste dentro de los rieles de la espada que permite que la cadena se apoye de costado.
- Espada doblada.
- Rieles agrietados o rotos.
- Rieles separados.

La espada tiene un piñón en la punta. El piñón debe lubricarse semanalmente con una jeringa de grasa para prolongar la vida útil de la espada (Fig. 42 y 43). Gire el piñón de la punta mientras se bombea grasa en el orificio de lubricación hasta que haya grasa nueva en todo el piñón. No empuje suciedad hacia el orificio.



TRANSPORTE Y ALMACENAMIENTO

- No almacene ni transporte la motosierra cuando esté en funcionamiento. Retire siempre el paquete de batería antes de almacenar o transportar la motosierra.
- Coloque siempre la funda de la cadena sobre la espada y la cadena antes de almacenar o transportar la motosierra. Tenga precaución para evitar los dientes afilados de la cadena.
- Limpie minuciosamente la motosierra antes de almacenarla. Almacene la motosierra en un lugar interior seco que esté cerrado con llave y/o sea inaccesible para los niños.
- Mantenga la unidad alejada de los agentes corrosivos, tales como productos químicos de jardín y sales anticongelantes.

RESOLUCIÓN DE PROBLEMAS

PROBLEMA	CAUSA	SOLUCIÓN
El motor no funciona.	<ul style="list-style-type: none"> ■ El paquete de batería no está instalado en la motosierra. ■ No hay contacto eléctrico entre la sierra y el paquete de batería. ■ La carga del paquete de batería está agotada. ■ El paquete de batería o la motosierra están demasiado calientes. ■ El freno de la cadena está activado. ■ La cadena de la sierra está atorada en la madera. ■ Hay residuos en el surco de la espada. ■ Hay residuos en la cubierta lateral. 	<ul style="list-style-type: none"> ■ Instale el paquete de batería en la motosierra. ■ Retire la batería, compruebe los contactos y reinstale el paquete de batería. ■ Cargue el paquete de batería. ■ Deje que el paquete de batería o la motosierra se enfríen hasta que la temperatura baje hasta el intervalo de temperatura de funcionamiento recomendado. ■ Jale la paleta del freno antirretroceso de la cadena hacia atrás, hacia la empuñadura delantera (hasta la posición de funcionamiento). ■ Suelte el interruptor gatillo; retire la cadena de la sierra y la espada de la madera, y luego reorganice la motosierra. ■ Presione la cadena de la sierra contra la madera y mueva la motosierra hacia detrás y hacia delante para descargar los residuos. ■ Retire el paquete de batería y luego retire la cubierta lateral y elimine los residuos.

PROBLEMA	CAUSA	SOLUCIÓN
<p>La cadena de la sierra deja de funcionar durante la utilización.</p>	<ul style="list-style-type: none"> ■ La motosierra está sobrecargada. ■ El paquete de batería o la motosierra están demasiado calientes. ■ La motosierra está atorada en la madera. 	<ul style="list-style-type: none"> ■ Reduzca la carga ■ Deje que el paquete de batería o la motosierra se enfrien hasta que la temperatura baje hasta el intervalo de temperatura de funcionamiento recomendado. ■ Suelte el interruptor gatillo; retire la cadena de la sierra y la espada de la madera, y luego re arranque la motosierra.
<p>El motor funciona, pero la cadena de la sierra no rota.</p>	<ul style="list-style-type: none"> ■ La cadena no se acopla en el piñón de transmisión. 	<ul style="list-style-type: none"> ■ Retire el paquete de batería y reinstale la cadena, asegurándose de que los eslabones guía ubicados en la cadena estén completamente asentados sobre el piñón.
<p>El freno de la cadena no se activa.</p>	<ul style="list-style-type: none"> ■ Los residuos previenen el movimiento completo de la paleta del freno antirretroceso de la cadena. ■ Posible malfuncionamiento del freno de la cadena. 	<ul style="list-style-type: none"> ■ Retire los residuos del mecanismo externo del freno de la cadena. ■ Contacte a Servicio al Cliente de EGO para realizar la reparación.

PROBLEMA	CAUSA	SOLUCIÓN
La motosierra no corta correctamente.	<ul style="list-style-type: none"> ■ Tensión de la cadena insuficiente. ■ Cadena desafilada. ■ La cadena está instalada al revés. ■ Cadena desgastada. 	<ul style="list-style-type: none"> ■ Tense la cadena siguiendo la sección “AJUSTE DE LA TENSIÓN DE LA CADENA” hasta que la cadena esté tensada correctamente. ■ Afíle los cortadores de la cadena, siguiendo el capítulo: “CÓMO AFILAR LOS CORTADORES”. ■ Retire el paquete de batería y reinstale la cadena de la sierra, siguiendo la sección “REEMPLAZO DE LA ESPADA Y LA CADENA”. ■ Retire el paquete de batería y reemplace la cadena siguiendo la sección “REEMPLAZO DE LA ESPADA Y LA CADENA”.
	<ul style="list-style-type: none"> ■ Cadena seca o excesivamente estirada. 	<ul style="list-style-type: none"> ■ Compruebe el nivel de aceite. Rellene el tanque de aceite si es necesario.
	<ul style="list-style-type: none"> ■ La cadena no está en el surco de la espada. 	<ul style="list-style-type: none"> ■ Retire el paquete de batería y reinstale la cadena de la sierra, siguiendo la sección “REEMPLAZO DE LA ESPADA Y LA CADENA”.
La cadena se afloja o se cae de la espada durante el uso normal.	<ul style="list-style-type: none"> ■ La cadena se aflojará a medida que la temperatura de la misma aumente durante la utilización normal de la sierra. ■ La cadena no se acopla en el piñón de transmisión. 	<ul style="list-style-type: none"> ■ Tense la cadena siguiendo la sección “AJUSTE DE LA TENSIÓN DE LA CADENA” hasta que la cadena esté tensada correctamente. ■ Retire el paquete de batería y reinstale la cadena, siguiendo la sección “REEMPLAZO DE LA ESPADA Y LA CADENA”. Asegúrese de que los eslabones guía ubicados en la cadena estén completamente asentados sobre el piñón.

PROBLEMA	CAUSA	SOLUCIÓN
La espada y la cadena funcionan calientes y humeantes.	<ul style="list-style-type: none">■ El tanque de aceite de la cadena está vacío.■ Hay residuos en el surco de la espada.	<ul style="list-style-type: none">■ Compruebe el nivel del aceite. Si es necesario, rellene el tanque de aceite.■ Elimine los residuos del surco.

GARANTÍA LIMITADA DE EGO

TÉRMINOS Y DURACIÓN DE LA PÓLIZA DE GARANTÍA

Chervon North America, Inc. (“Chervon North America”), proporciona la siguiente Garantía Limitada para los productos EGO al comprador original de productos EGO.

El período de garantía detallado de cada producto EGO se puede encontrar en línea en <http://egopowerplus.com/warranty-policy>.

Sírvase contactar a Servicio al Cliente de EGO llamando gratis al 1-855-EGO-5656 en cualquier momento en que tenga preguntas o reclamos de garantía, o si desea obtener una copia impresa de la garantía.

GARANTÍA LIMITADA DE SERVICIO

Los productos EGO están garantizados contra defectos de material o de fabricación a partir de la fecha de compra minorista original durante el período de garantía aplicable. Para cualquier reclamo de garantía presentado de manera adecuada y oportuna, si Chervon North America determina que un producto presenta algún defecto durante el período de garantía, dicho producto recibirá una reparación o un remplazo gratuitos, según lo determine Chervon North America.

CÓMO OBTENER SERVICIO

Para obtener servicio de garantía, dentro del período de garantía aplicable, sírvase contactar a servicio al cliente de EGO llamando gratis al **1-855-EGO-5656**. Cuando solicite servicio de garantía, deberá presentar el recibo de venta fechado original. Se seleccionará un centro de servicio autorizado para evaluar y reparar el producto si el mismo presenta algún defecto de acuerdo con los términos establecidos en la garantía. Cuando lleve su producto al centro de servicio autorizado, es posible que se requiera un pequeño depósito cuando deje allí su herramienta. Este depósito es reembolsable cuando se considere que el servicio de reparaciones esté cubierto bajo garantía.

LIMITACIONES Y EXCLUSIONES ADICIONALES

Esta garantía limitada se aplica solo al comprador original que realice la compra a un minorista EGO autorizado y no es transferible. Los productos EGO no serán considerados defectuosos, y esta garantía no se aplicará, en los casos en que el defecto por el que se presente el reclamo sea atribuible a cualquier causa que no sean los defectos definidos anteriormente en este documento. Esta garantía quedará anulada si el producto se ha utilizado para fines de alquiler. Esta garantía no se aplicará a daños causados por accidente, abuso, uso incorrecto, alteración, modificación, reparación no autorizada, contacto con líquidos, incendio, terremoto u otra causa

externa; utilización del producto sin seguir las instrucciones, especificaciones o pautas de EGO; o no hacer servicio de ajustes y reparaciones o no mantener adecuadamente el producto. Esta garantía tampoco se aplica a los daños cosméticos, incluyendo, pero sin limitarse a ello, rasguñaduras o abolladuras; defectos causados por el desgaste por el uso normal o defectos que de alguna otra manera se deban al envejecimiento normal del producto.

ESTA GARANTÍA EXPRESA SE DA EN LUGAR DE TODAS LAS DEMÁS GARANTÍAS, EXPRESAS O IMPLÍCITAS, INCLUYENDO, PERO SIN LIMITARSE A ELLO, TODAS LAS GARANTÍAS DE COMERCIABILIDAD O IDONEIDAD PARA UN PROPÓSITO O USO ESPECÍFICO, LAS CUALES QUEDAN EXCLUIDAS. Todas las garantías implícitas, incluyendo las garantías de comerciabilidad o idoneidad para un propósito específico, que no se puedan excluir bajo la ley estatal, están limitadas al período de garantía aplicable definido al comienzo de este artículo. El remedio único y exclusivo en conexión con la compra, instalación, uso y/o rendimiento de los productos EGO es la reparación o el reemplazo del producto tal y como lo determine Chervon North America. La responsabilidad máxima de North America no excederá en ningún caso el precio de compra pagado por el producto. CHERVON NORTH AMERICA NO SERÁ RESPONSABLE ANTE EL USUARIO NI ANTE NADIE MÁS POR DAÑOS EMERGENTES, INCIDENTALES, ESPECIALES, EJEMPLARES, INDIRECTOS O PUNITIVOS QUE SURJAN DEL USO DE LOS PRODUCTOS, INCLUYENDO, PERO SIN LIMITARSE A ELLO, LESIONES CORPORALES, MUERTE, DAÑOS MATERIALES, GANANCIAS PERDIDAS U OTROS PERJUICIOS ECONÓMICOS. Esta garantía le confiere a usted derechos legales específicos y es posible que usted tenga también otros derechos que varían de un estado a otro. Algunos estados no permiten limitaciones en cuanto a la duración de una garantía implícita, la exclusión o limitación de los daños incidentales o emergentes, o las limitaciones al tiempo para emprender ciertas acciones legales, por lo que las limitaciones contenidas en el presente documento no se aplican a los consumidores individuales de esos estados.

Esta garantía está sujeta a la ley de Michigan y se interpretará de acuerdo con dicha ley, con independencia de los principios sobre conflictos de leyes. No se emprenderá ninguna acción legal contra Chervon North America a menos que se presente dentro del plazo de un (1) año después de que se tenga conocimiento de la base de dicha acción legal o de la cual se debiera haber tenido conocimiento con el ejercicio de una diligencia razonable. Se considerará que se ha renunciado a cualquier acción legal que no se presente oportunamente.

Para obtener servicio al cliente, contáctenos llamando gratis al **1-855-EGO-5656** o en **EGOPOWERPLUS.COM**.

EGO Customer Service,
769 Seward Ave. NW, Suite 102,
Grand Rapids, Michigan 49504.

