

PARTS LIST

MS75

CONTENTS

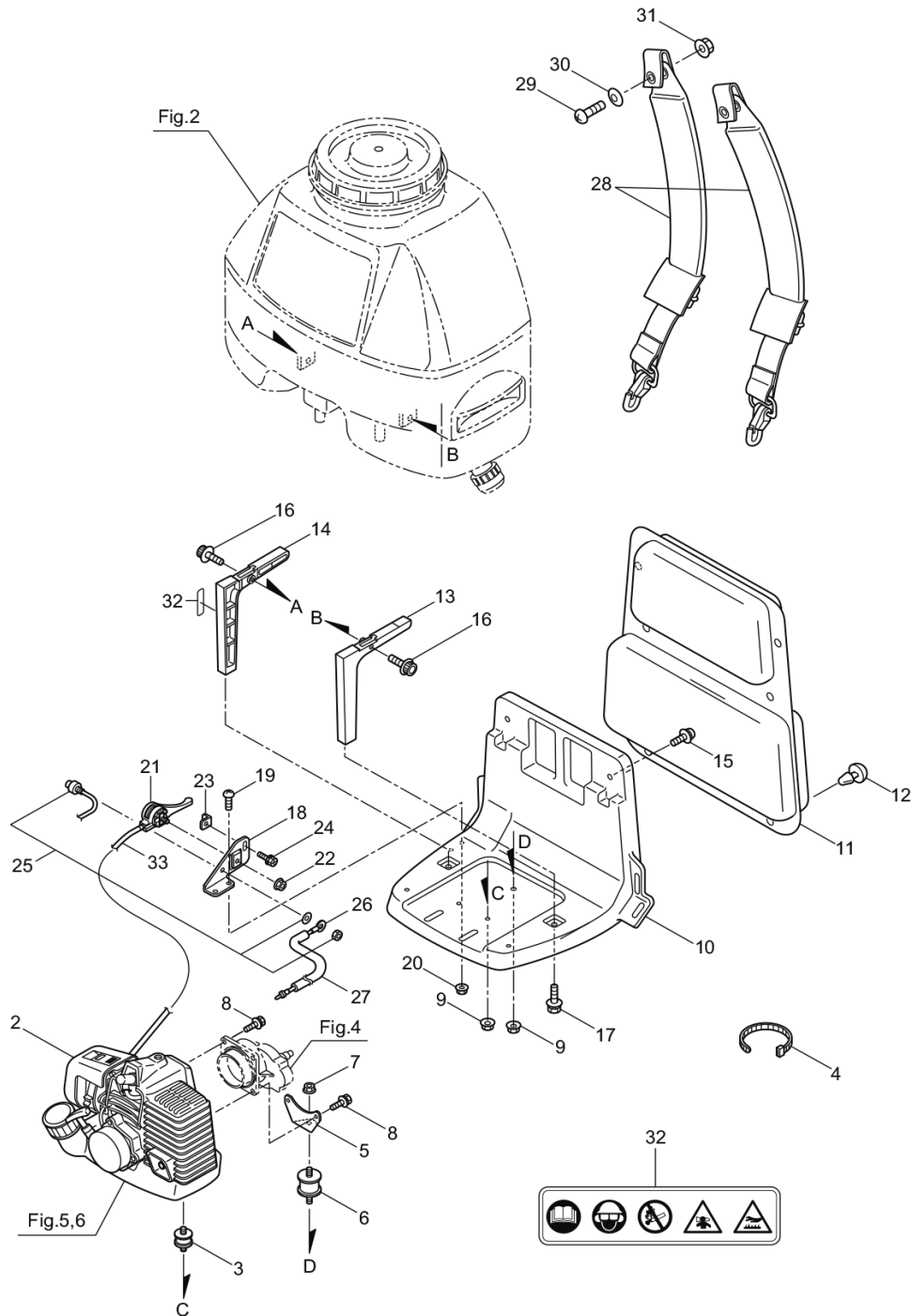
1. MAIN BODY	1 ~ 2
2. CHEMICAL TANK	3 ~ 4
3. POWER SPRAYER	5 ~ 8
4. REDUCTION GEAR	9 ~ 10
5. ENGINE	11 ~ 14
6. CARBURETOR, FUEL TANK	15 ~ 18
7. ACCESSORIES	19 ~ 20

2013. 11.



P/N 523731

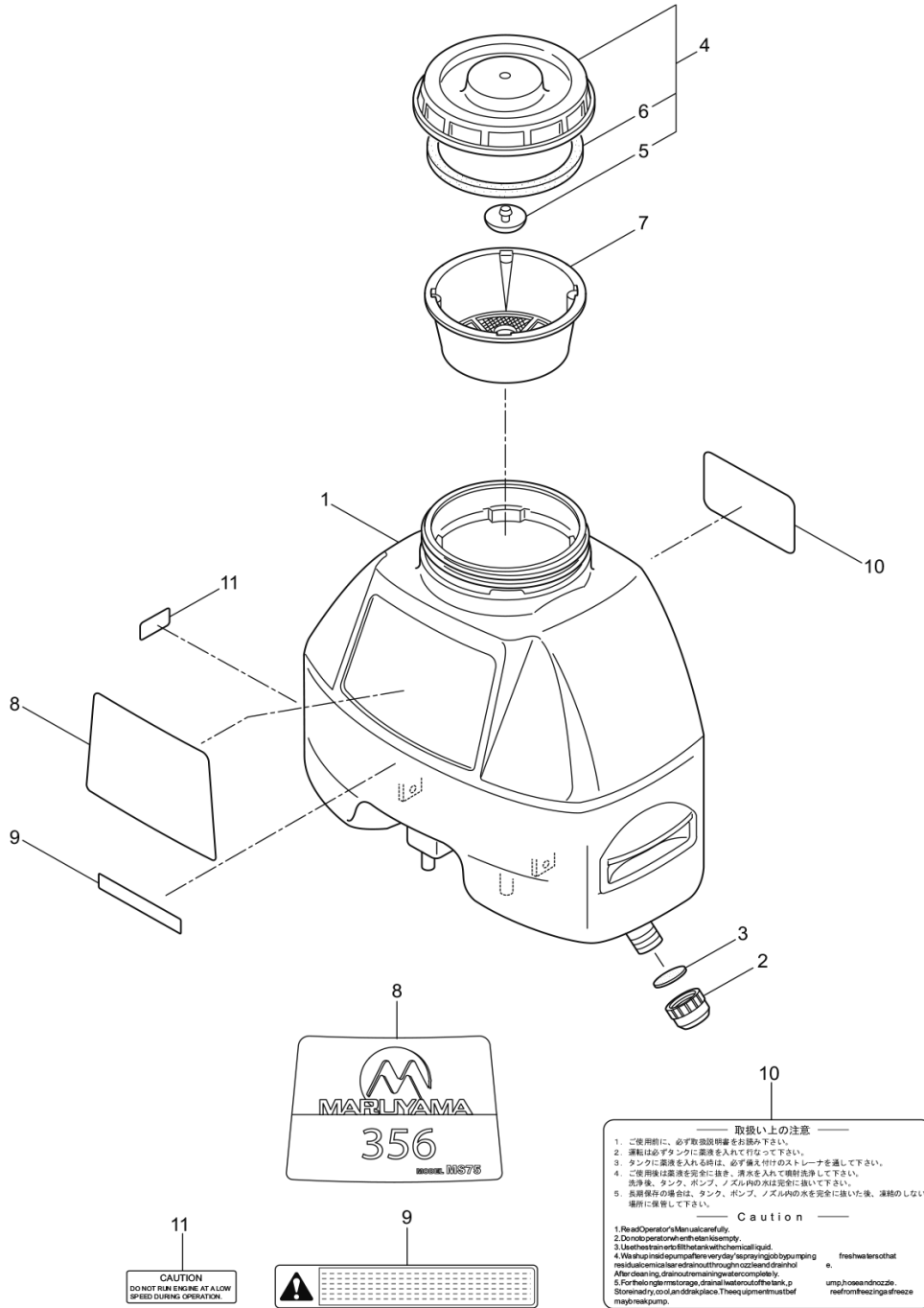
1. MS75
MAIN BODY



Status	Position	Parts Number	Parts Name	Unit Quantity	Set Unit Quantity	Specification	Remarks	Maker code
				1				

Status	Position	Parts Number	Parts Name	Unit Quantity	Set Unit Quantity	Specification	Remarks	Maker code
	1	353028	MS75(MUS)	1				
	2	858756		1		MS75	CE300P/03	
	3	182114	PACKING	2				
	4	104343	BAND	2	5	CV-200		
	5	125803	STAY	1				
	6	101877	BUFFER	1		30-M6X14		
	7	126756	FLANGE NUT	1	5	M6	M6	
	8	126178	CAP SCREW	4	5	M5X15	M5x15	
	9	127228	NUT	3	10	M6(サカネイ18)	M6	
	10	128939	FRAME	1		アカ(5R4/14)		
	11	122807	PAD	1		アカ 5R4/14		
	12	100749	FASTNER	6	5	ヨビ 7	#7	
	13	118002	STAY	1		グレー		
	14	118004	STAY	1		グレー		
	15	127238	SCREW	2	10	M6X13(SMアイ)	M6x13	
	16	123952	CAP SCREW	2	5	M6X14 コルマナインヨリ	M6x14	
	17	127233	BOLT	2	10	M6X16(SMアイ)	M6x16	
	18	113674	STAY	1				
	19	081415	SCREW	2	10	M5X0.8X16	M5x16	
	20	127226	FLANGE NUT	2	10	M5	M5	
	21	115148	THROTTLE LEVER	1		トウヨウサンギ ヨウ		
	22	127226	FLANGE NUT	1	10	M5	M5	
	23	128940	STOPPER	1				
	24	817004	BOLT	1	10	M6X12(SM)	M6x12	
	25	114895	STOP SWITCH	1		AV0.5X320L アカ		
	26	114896	EARTH CORD	1		AV0.5X320L M8		
	27	114901	VINYL HOSE	1		8X9X220(クワ)	8x9x220L	
	28	120624	KNAPSACK BAND ASSY	1		クワ		
	29	127221	SCREW	2	5	M6X16	M6x16	
	30	127224	WASHER	2	5	6X23XT1.6	6x23xt1.6	
	31	127237	NUT	2	5	M6(サカネ25XT1.6)	M6	
	32	266959	LABEL	1		CEコ-シヨウ	Caution	
	33	121616	THROTTLE CABLE	1		インナ461 アウタ393		

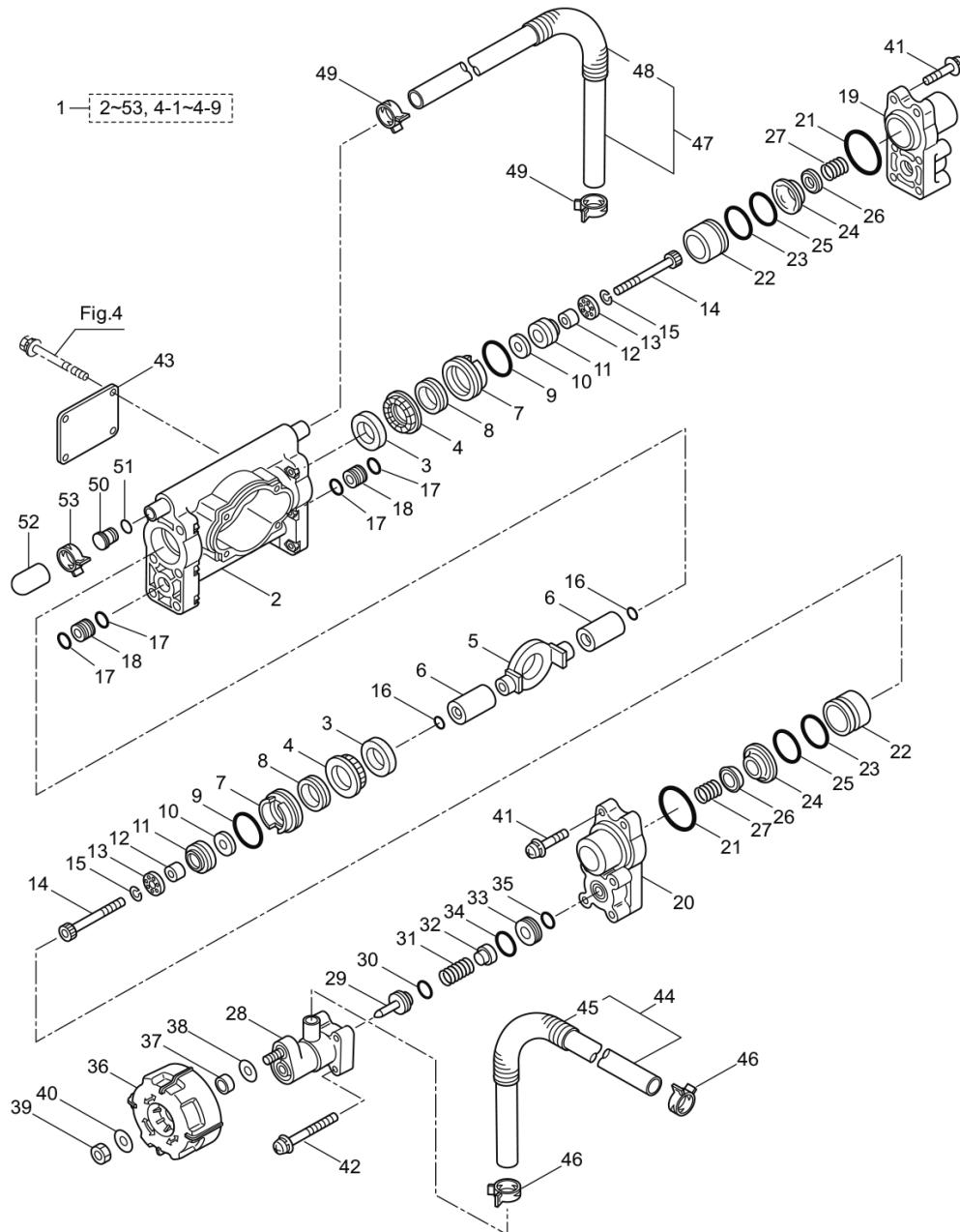
2. MS75
CHEMICAL TANK



Status	Position	Parts Number	Parts Name	Unit Quantity	Set Unit Quantity	Specification	Remarks	Maker code
--------	----------	--------------	------------	---------------	-------------------	---------------	---------	------------

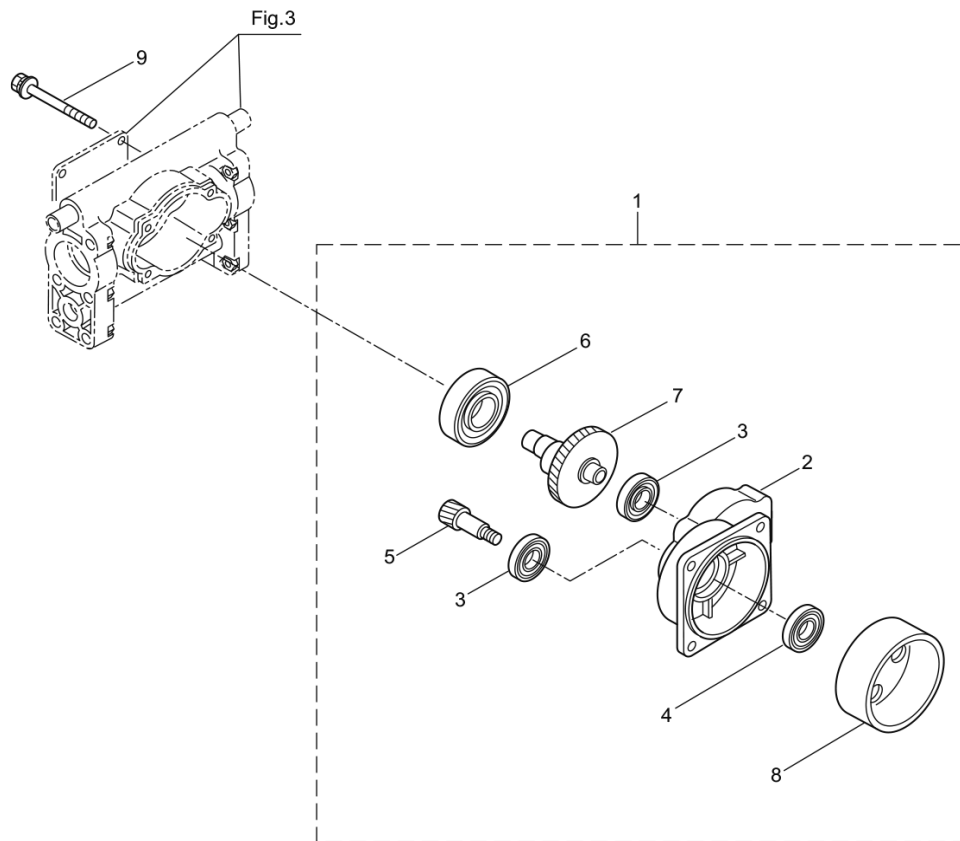
Status	Position	Parts Number	Parts Name	Unit Quantity	Set Unit Quantity	Specification	Remarks	Maker code
	1	119030	CHEMICAL TANK	1				
	2	106333	CAP	1		アカ(5R4/14)		
	3	029299	RUBBER PACKING	1	5	36XT3.0	36xt3.0	
	4	122796	CHEMICAL TANK CAP	1		アカ	Incl.5,6	
	5	126668	RUBBER PLATE	1				
	6	022362	PACKING	1		150X170XT10		
	7	106330	STRAINER	1		ナチユール(シロ)		
	8	130926	LABEL	1		MS75	MS75	
	9	120675	LABEL	1		チユイマーク	Warning	
	10	122799	LABEL	1		トリアツカイチユイ アカ5R		
	11	106067	LABEL	1		CAUTION	Caution	

3. MS75 POWER SPRAYER



Status	Position	Parts Number	Parts Name	Unit Quantity	Set Unit Quantity	Specification	Remarks	Maker code
	1	128933	PUMP ASSY	1		128933	Incl.2~53,4-1~4-9	
	2	125673	CRANKCASE ASSY	1		MS059		
	3	102683	OIL SEAL	2		G16244	G16244	
	4	106190	COLLAR	2	5	クワトクシユ		
	5	121179	CONNECTING ROD	1		M5		
	6	125680	SLEEVE	2		16X33	16x33	
	7	102358	SEAL RETAINER	2		ナチユール		
	8	112252	PACKING	2				
	9	013977	O-RING	2	5	S26	S26	
	10	043426	SUCTION VALVE SEAT	2		5X17X2.8	5x17xt2.8	
	11	100441	PISTON PACKING ASSY	2		20.5	20.5	
	12	023357	SUCTION MACHINED DISC COLLAR	2		5X8X10	5x8x10L	
	13	022023	SUCTION MACHINED DISC STOPPER	2		5X16X3	5x16xt3	
	14	125681	CAP SCREW	2	5	M5X50X22	M5x50x22	
	15	015848	SPRING WASHER	2	5	M5 2コウ	M5	
	16	021549	O-RING	2	5	P5	P5	
	17	014175	O-RING	4	5	P9	P9	
	18	100554	SPACER PIPE	2		6X12X10	6x12x10	
	19	103128	CYLINDER HEAD A	1				
	20	102634	CYLINDER HEAD B	1				
	21	013983	O-RING	2	5	S31.5	S31.5	
	22	125682	CYLINDER PIPE	2		20X26X22ミツナ シ	20x26x22	
	23	023172	O-RING	2	5	P22	P22	
	24	125683	VALVE SEAT	2				
	25	103575	O-RING	2	5	23X1.5	23x1.5	
	26	043723	MACHINED DISC INLET	2		16X1.5		
	27	043360	SPRING	2	5	0.7-15L		
	28	103132	SPRING HOUSING	1				
	29	103758	SPRING RETAINER	1				
	30	011682	O-RING	1		P10 7ツツ	P10	
	31	103759	SPRING	1		2.0-30L		
	32	103747	MACHINED DISC	1				
	33	103746	MACHINED TAPERED DISC	1				
	34	011346	O-RING	1	5	P14	P14	
	35	011343	O-RING	1	5	P10A	P10A	
	36	122144	CAM HANDLE	1		アカ(スタンプ アカ)		
	37	127225	COLLAR	1	5	8X10X5.3	8x10x5.3	
	38	127217	WASHER	5	5	8.5X14XT0.5	8.5x14xT0.5	
	39	126521	NUT	1	5	M8 シユ	M8	
	40	127216	WASHER	1	5	M8 ミカキマル	M8	
	41	121956	SCREW	8	5	M5X32(SMK)	M5x32	
	42	816036	SCREW	4	5	M5X60(SMK)	M5x60	
	43	125801	PLATE	1				
	44	128934	HOSE ASSY	1			Incl.45 10x15x500	
	45	128936	TUBE	1		15.2X19.5X420	15.2x19.5x420	
	46	103033	HOSE BAND	2	5	150-05-00	150-05-00	
	47	128937	HOSE ASSY	1			Incl.48 10x15x440	
	48	128938	CORGATE TUBE	1		15.2X19.5X330	15.2x19.5x330	
	49	103033	HOSE BAND	2	5	150-05-00	150-05-00	
	50	131939	PLUG	1		クワ		
	51	021549	O-RING	1	5	P5	P5	
	52	129042	CAP	1		クワ		
	53	043972	HOSE BAND	1	5	125-06-00		

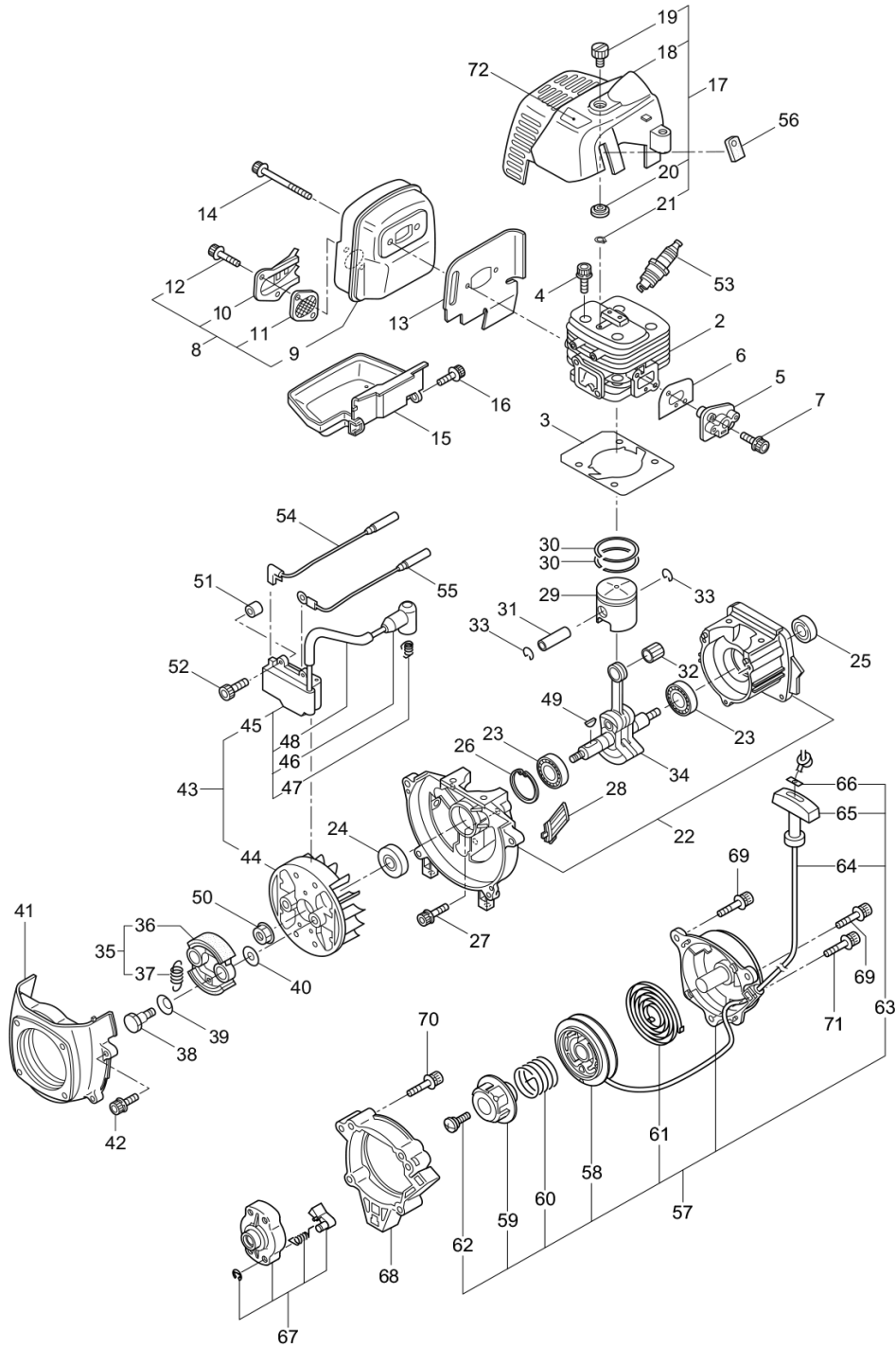
4. MS75
REDUCTION GEAR



Status	Position	Parts Number	Parts Name	Unit Quantity	Set Unit Quantity	Specification	Remarks	Maker code
				1				

Status	Position	Parts Number	Parts Name	Unit Quantity	Set Unit Quantity	Specification	Remarks	Maker code
	1	125684	REDUCTION GEAR ASSY	1		MS059	Incl.2-8	
	2	125685	GEAR CASE	1				
	3	102680	BEARING 6000ZZ	2		#6000ZZ	#6000ZZ	
	4	112184	BEARING 6000DDU	1		6000DDU(NSK)	#6000DDU	
	5	125686	PINION GEAR	1				
	6	103144	BEARING	1		#6004ZZ	#6004ZZ	
	7	125687	CRANKSHAFT	1				
	8	127367	CLUTCH DRUM	1		WJR2525		
	9	126059	BOLT	4		M6X60(SMK)	M6x60	

5. MS75 ENGINE

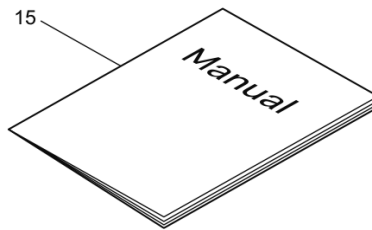
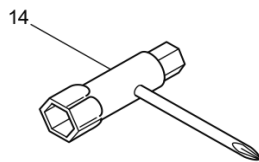
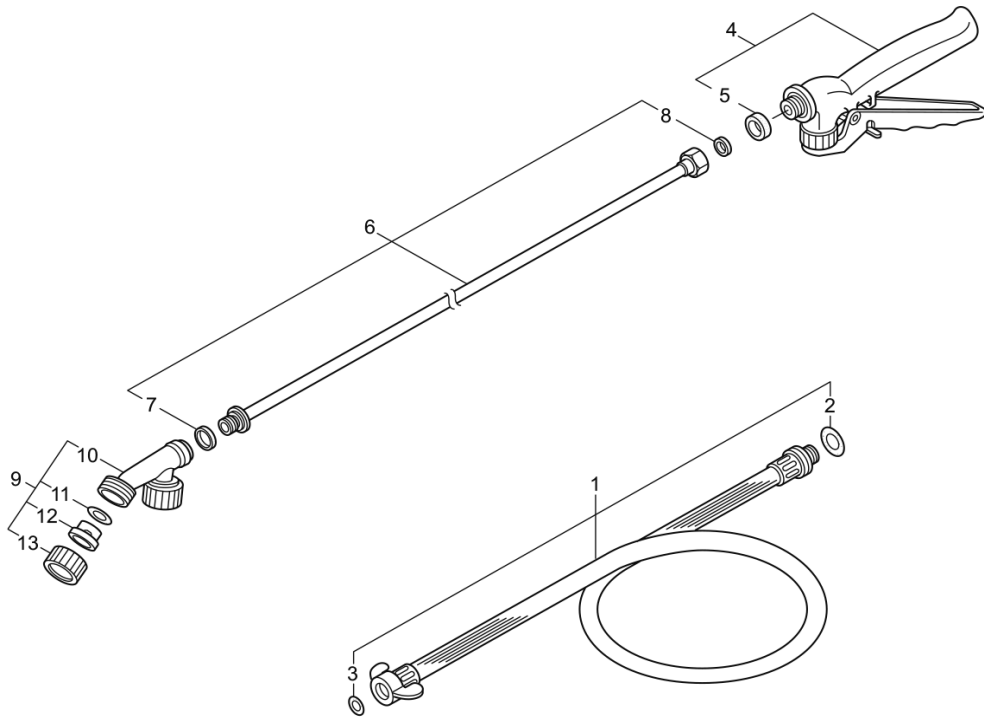


Status	Position	Parts Number	Parts Name	Unit Quantity	Set Unit Quantity	Specification	Remarks	Maker code
	1	858756		1		MS75	CE300P/03	
	2	286791	CYLINDER	1		TIER3 カセット		
	3	286846	GASKET	1		30CC/T1.0		
	4	261250	CAP SCREW	4	5	M5X20	M5x20	
	5	269144	INSULATOR	1		DE260	New gasket required	
	6	267049	GASKET	1	5			
	7	265924	CAP SCREW	2	5	M5X25WSW+オ	M5x25	
	8	283007	MUFFLER ASSY	1			Incl.9-12	
	9	283003	MUFFLER COMPL	1				
	10	268171	MUFFLER TAIL	1				
	11	267056	SPARK ARRESTER	1				
	12	265107	CAP SCREW	2	5	M4X10	M4x10	
	13	281440	GASKET	1				
	14	266402	CAP SCREW	2	5	M5X55フレンジ	M5x55	
	15	281435	UNDER COVER	1		クワ CE300		
	16	267191	CAP SCREW	1	5	M5X16WSW+オ	M5x16	
	17	281742	TOP COVER ASSY	1		アカ	Incl.18-21	
	18	281434	TOP COVER	1		アカ		
	19	261018	KNOB BOLT	1		クワ(N1.5)		
	20	261020	SPACER	1				
	21	261734	SNAP RING	1	5	ヨビ 5	#5	
	22	286851	CRANK CASE	1		CE300		
	23	280488	BEARING 6001C3	2		6001 C3リベ ット	PPL 6001	
	24	261492	OIL SEAL	1		ISCD12287グ リスナ シ	ISCD12287	
	25	261386	OIL SEAL	1		ISCD12227グ リスナ シ	ISCD12227	
	26	055185	SNAP RING #28	1	5	アキヨウ28	#28	
	27	261612	CAP SCREW	3		M5X30	M5x30	
	28	281442	AIR INTAKE GRILLE (BLACK)	1		クワ		
	29	268782	PISTON	1		CE300		
	30	265067	PISTON RING	2			(2)Required	
	31	265068	PISTON PIN	1		7X10X30.5L		
	32	265225	NEEDLE BEARING KTV101413EGX02B	1				
	33	261393	CLIP	2				
	34	265141	CRANK SHAFT COMPLETE	1				
	35	264887	CLUTCH ASSY	1			Incl.36,37	
	36	264888	CLUTCH SHOE	2			(2)required	
	37	264889	SPRING	1				
	38	264505	BOLT	2				
	39	261777	WAVE WASHER	2	5			
	40	261189	WASHER	2	5	6X16.5XT1.2	6x16.5xt1.2	
	41	281433	FAN COVER	1		シヨットシヨリ		
	42	261250	CAP SCREW	4	5	M5X20	M5x20	
	43	287898	MAGNETO	1			Incl.44-48	
	44	287902	ROTOR	1				
	45	281746	IGNITION COIL ASSY	1		デ`シ`タ	Incl.46-48	
	46	269714	PLUG BOOT	1		WB 141-13		
	47	269715	CONNECTOR	1		WB98-3674		
	48	281756	TUBE	1				
	49	261076	WOODRUFF KEY 3X10	1	5	A`シ` 3X10	3x10	
	50	261417	NUT ROTOR M8	1	5	M8	M8	
	51	280381	SPACER	2	5			
	52	261256	BOLT	2	5	M4X25	M4x25	
	53	285982	SPARK PLUG(BPM8Y)	1		NGK BPM8Y	NGK BPM8Y	
	54	269722	LEAD	1		165ハ`ク`HCBH		
	55	268044	LEAD	1		135M4 CBH		
	56	269189	GROMMET	1		クワ		
	57	283477	RECOIL STARTER ASSY	1		ダ`シ`パ`	Incl.58-66	

Status	Position	Parts Number	Parts Name	Unit Quantity	Set Unit Quantity	Specification	Remarks	Maker code
	58	283504	REEL	1		A54108170001		
	59	283505	CAM PLATE	1		A54308130201		
	60	283506	DUMPER SPRING	1		A52408170300		
	61	280931	SPIRAL SPRING	1				
	62	267213	SCREW	1				
	63	283578	ROPE ASSY	1			Incl.64-66	
	64	283579	STARTER ROPE	1		3MM X 870L		
	65	261725	STARTER GRIP	1				
	66	283511	ROPE STOPPER	1		A57302611810		
	67	283575	STARTER PULLEY	1		ﾀﾞﾝﾊﾟｰﾓｸﾞ		
	68	284698	ADAPTER ASSY	1		ｸﾞﾙｰﾌﾞ CE23ﾌﾞﾗｯｼﾞﾝｸﾞ		
	69	283391	SCREW	2	5	M4X20WSW+ $\frac{3}{8}$ ｶB	M4x20	
	70	265726	CAP SCREW	4	5	M4X16ﾒｯｸｸﾞ	M4x16	
	71	282096	SCREW	1	5	M4X16ﾒｯｸｸﾞﾄﾞﾘ	M4x16WSW	
	72	273469	LABEL	1		MS75	MS75	

Status	Position	Parts Number	Parts Name	Unit Quantity	Set Unit Quantity	Specification	Remarks	Maker code
	1	282542	CARBURETOR	1		WYK-254A	Incl.2-18 New gasket required	
	2	264155	CARBURETOR BODY	1		WB5-2582		
	3	262991	PURGE BODY	1		WB5-2557		
	4	262992	COVER	1		WB21-3147		
	5	261874	PRIMER	1		WB188-12		
	6	283905	DIAPHRAGM METERRING	1		WB95-614		
	7	262993	GASKET	1		WB92-359		
	8	262994	DIAPHRAGM	1		WB95-99		
	9	282576	GASKET	1		WB92-415		
	10	261876	RING	1		WB16-71		
	11	261658	SWIVEL	1		WB52-34		
	12	261875	SCREW	2		WB96-323		
	13	264677	BRACKET	1		WB167-143		
	14	261657	PACKING	1		WB16-171		
	15	262996	SCREW	4	5	WB96-425		
	16	264678	WASHER	1	5	WB136-221		
	17	261878	NUT	1	5	M6 3ｼﾞ		
	18	263994	SCREW	1		WB96-462 ロﾝｸﾞ		
	19	269762	GASKET	1				
	20	268055	AIR FILTER HOUSING ASSY	1			Incl.21-24	
	21	268056	AIR FILTER CASE	1		ﾁｮｰｸﾀｲﾌﾞ		
	22	268057	MACHINED DISC	1				
	23	268157	SLEEVE	1		5.5X7.1X6	5.5x7.1x6L	
	24	268412	SLEEVE	1		5.2X7.1X6.4	5.5x7.1x6.6L	
	25	263345	PACKING	1	5	7.2X11XT1.3	7.2x11xt1.3	
	26	263942	WASHER	1	5	7.2X12XT0.15	7.2x12xt0.15	
	27	263815	STAY	1				
	28	264016	CAP SCREW	2	5	M5X60	M5x60	
	29	265026	SCREEN	1				
	30	265027	FORM ELEMENT	1				
	31	268058	AIR FILTER COVER ASSY	1			Incl.32-34	
	32	268059	AIR FILTER COVER	1				
	33	281438	KNOB	1				
	34	261734	SNAP RING	1	5	ﾓﾆ` 5	#5	
	35	289037	FUEL TANK ASSY	1		A46B95C154D52	Incl.36-48	
	36	285224	FUEL TANK	1		CE300P ﾀﾝｸ		
	37	289043	FUEL TANK CAP ASSY	1			Incl.38	
	38	287058	GASKET	1				
	39	289035	FUEL PIPE PICKUP ASSY	1			Incl.40-48	
	40	289036	FUEL PIPE ASSY	1			Incl.41-43	
	41	268065	GROMMET	1		3ﾌﾞ		
	42	261590	BREATHER SUB ASSY	1				
	43	261117	CLIP	1				
	44	289028	PIPE A	1		3X5X53L	3x5x53L	
	45	288921	JOINT	1				
	46	289033	PIPE	1		3X5X100L	3x5x100L	
	47	264653	FILTER ASSY	1		125-552		
	48	261117	CLIP	3				
	49	261117	CLIP	1				
	50	285065	SCREW	2		M5 ﾏｸｼﾝﾎﾞﾙﾄ	M5	
	51	283688	WASHER	2	5	5.5X12X1.6ﾃﾞﾗ	5.5x12x1.6	
	52	284695	SCREW	1		M5X18WSW+ﾓ	M5x18	
	53	261352	MARK--LABEL	1		ﾁｮｰｸ	Choke	
	54	285188	LABEL	1		CAｽﾊﾟｰｸﾞｱﾌﾟｽﾀｲ ｺｸ		

7. MS75
ACCESSORIES



Status	Position	Parts Number	Parts Name	Unit Quantity	Set Unit Quantity	Specification	Remarks	Maker code
	1	118270	HOSE ASSY	1		7.5X1200アオ(コウアツ)	Incl.2,3 7.5x1200L	
	2	013572	PACKING (11.5X16X1.5)	1	5	11.5X16XT1.5	11.5x16xt1.5	
	3	074369	PACKING (6.5X11.5X1.5)	1	5	6.5X11.5X1.5T	7x11.5xt1.5	
	4	112852	ON/OFF LEVER	1		LC-20	Incl.5	
	5	112850	PACKING	1	5		11.5x15.5xt1.5	8000142
	6	124042	NOZZLE PIPE	1		G1/4 8-680 アサハ	Incl.7,8 8x680L G1/4	
	7	112850	PACKING	1	5		11.5x15.5xt1.5	8000142
	8	112851	PACKING	1	10	7X11XT1.5	7x11xt1.5	
	9	117958	WIDE NOZZLE	1		NH-V-2M-2-D5	Incl.10-13	
	10	103170	NOZZLE	1		ヤマホ H-606	H-606	
	11	103171	PACKING H-704	2	5	ヤマホH-704	H-704	501214
	12	412894	NOZZLE PLATE D-5S	2		ヤマホ NN-D-5S	NN-D-5S	491261
	13	103173	CAP	2		ヤマホ H-6013B		
	14	127099	BOX SPANNER	1		13X19X(+) ^ト ライ ハ		
	15	130927	INSTRUCTION MANUAL	1		MS75	MS75	