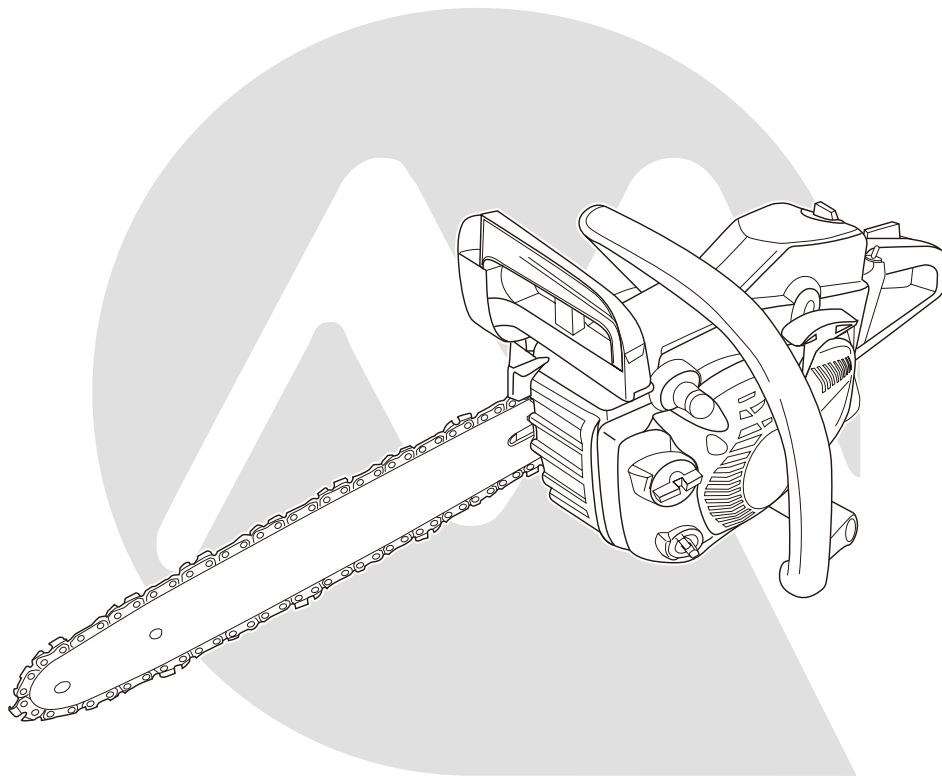




**OWNER'S/ OPERATOR'S MANUAL  
MANUAL DEL PROPIETARIO U OPERADOR  
MANUEL DU PROPRIETAIRE/ DE L'UTILISATEUR**

**Chain saw  
Motosierra  
Scie à chaîne  
MCV31R**



**The POWER in Outdoor Power**

**Completely read and understand this manual PRIOR to using this product.**

**Lea y entienda este manual a fondo, ANTES de usar este producto.**

**Lisez complètement et comprenez ce manuel AVANT d'utiliser ce produit.**



## Limited Warranty Statement

All Maruyama commercial/ industrial products are warranted to the original purchaser to be free from defects in material and workmanship **from the date of purchase** for the time periods listed as follows:

**Lifetime** for inner drive shaft on trimmers and brush cutters and all ignition modules.

**3 years** for residential, non-institutional, non-income producing use.

**1 year** for industrial, commercial, institutional, rental and income producing use.

Maruyama AE series engines and Kawasaki TEX45/TEX54 are covered exclusively for one additional year of industrial, commercial, institutional, rental and income producing use (total of 2 years). All other engines refer to engine manufacturer's warranty statement.

Any part of a Maruyama product found to be defective within the applicable warranty period shall, at Maruyama's option, be repaired or replaced without charge. Warranty consideration is obtained by delivering any Maruyama product believed to be defective to an Authorized Maruyama Servicing Dealer within the applicable warranty period.

The purchaser shall not be charged for diagnostic labor that leads to the determination that a warranted part is defective, if the diagnostic work is performed at a Maruyama Dealer.

Any warranted part which is not scheduled for replacement as required maintenance, or which is scheduled only for regular inspection to the effect of "repair or replace as necessary" shall be warranted for the warranty period. Any warranted part, which is scheduled for replacement as, required maintenance shall be warranted for the period of time up to the first scheduled replacement point for that part. Maruyama Mfg. Co., Inc. is liable for damages to other engine components caused by the failure of a warranted part still under warranty.

The purchaser is responsible for the performance of the required maintenance, as defined by Maruyama Mfg. Co., Inc. in the Owner's/Operator's Manual.

**EMISSION-RELATED PARTS WARRANTY:** In addition to the above warranty coverage, Maruyama Mfg. Co., Inc. will repair or replace, free of charge, for the original purchaser and each subsequent purchaser any emission-related part or parts found to be defective in material and workmanship for two (2) years from original retail delivery date. **Emission-related parts are the carburetor assembly, the ignition coil assembly, the ignition rotor, the spark plug, the catalytic converter and the fuel tank.** Any replacement part that is equivalent in performance and durability may be used in non-warranty maintenance or repairs, and shall not reduce the warranty obligations of Maruyama Mfg. Co., Inc.

**This warranty does not cover the following:**

1. Maintenance items (excluding defects in materials and workmanship) including hoses, spark plugs, starter rope, air and fuel filters, throttle cables and all pump attachments, etc.
2. Extra expenses including shipping and handling, travel, payment for lost time or pay and for any inconvenience and storage.
3. Alterations or modifications including aftermarket parts not authorized by Maruyama U.S., Inc.
4. Wear, accident, abuse, neglect, misuse, negligence, improper fuels, lubricants, fuel mixtures (when applicable), or failure to operate or maintain the product in accordance with instructions approved by Maruyama.

Repair or replacement as provided under this warranty is the exclusive remedy of the consumer. Maruyama shall not be liable for any incidental or consequential damages for breach of any express or implied warranty on these products except to the extent prohibited by applicable law. Any implied warranty of merchantability or fitness for a particular purpose on these products is limited in duration to the warranty period as defined in the limited warranty statement. Maruyama reserves the rights to change or improve the design of the product without notice and does not assume obligation to update previously manufactured products.

This warranty provides you with specific legal rights, which may vary from state to state.

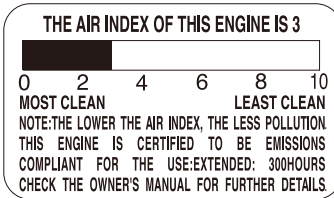
It is the Owner's and Dealer's responsibility to make sure the Warranty Registration Card is properly filled out and mailed to Maruyama U.S., Inc. Proof of purchase and registration will be required in order to obtain warranty service.

To locate an Authorized Maruyama Servicing Dealer nearest you, contact:.

**Maruyama U.S., Inc.**  
**4770 Mercantile Drive, suite 100,**  
**Fort Worth, TX 76137 U.S.A.**  
**(940) 383-7400**  
**maruyama@maruyama-us.com**  
**www.maruyama-us.com**

## ⚠ WARNING: ⚠

The engine exhaust from this product contains chemicals known to the State of California to cause cancer, birth defects or other reproductive harm.



MCV31R

## FEDERAL EMISSION CONTROL WARRANTY STATEMENT YOUR WARRANTY RIGHTS AND OBLIGATIONS

The U.S. Environmental Protection Agency (EPA), and Maruyama Manufacturing Company, Inc. are pleased to explain the emission control system warranty on your small off-road engine. New 1997 and later model year small off-road engines must be designed, built and equipped, at the time of sale, to meet the U.S. EPA regulations for small off-road engines. The equipment engine must be free from defects in materials and workmanship which cause it to fail to conform with U.S. EPA standards for the first two years of engine use from the date of sale to the ultimate purchaser. Maruyama Manufacturing Company, Inc. must warrant the emission control system on your small off-road engine for the period of time listed above provided there has been no abuse, neglect or improper maintenance of your small off-road engine.

### Emission durability of 300 hours.

Your emission control system may include parts such as the carburetor or fuel injection system, the ignition system, and catalytic converter. Also included may be hoses, belts, and connectors and other emission related assemblies.

Where a warrantable condition exists, Maruyama Manufacturing Company, Inc. will repair your small off-road engine at no cost to you, including diagnosis (if the diagnostic work is performed at an authorized dealer), parts, and labor.

### MANUFACTURER'S WARRANTY COVERAGE:

The 1997 and later model year small off-road engines are warranted for two years. If any emission-related part on your engine is defective, the part will be repaired or replaced by Maruyama Manufacturing Company, Inc. free of charge.

### OWNER'S WARRANTY RESPONSIBILITIES:

(a) As the small off-road engine owner, you are responsible for the performance of the required maintenance listed in your Owner's/Operator's Manual.

Maruyama Manufacturing Company, Inc. recommends that you retain all receipts covering maintenance on your small off-road engine, but Maruyama Manufacturing Company, Inc. cannot deny warranty solely for the lack of receipts or for your failure to ensure the performance of all scheduled maintenance. Any replacement part or service that is equivalent in performance and durability may be used in non-warranty maintenance or repairs, and shall not reduce the warranty obligations of the engine manufacturer.

- (b) As the small off-road engine owner, you should be aware, however, that Maruyama Manufacturing Company may deny you warranty coverage if your small off-road engine or a part has failed due to abuse, neglect, improper maintenance or unapproved modifications.
- (c) You are responsible for presenting your small off-road engine to a Maruyama Manufacturing Company, Inc. service center as soon as a problem exists. The warranty repairs should be completed in a reasonable amount of time, not to exceed 30 days.

If you have any questions regarding your warranty rights and responsibilities, you should contact Maruyama U.S., Inc. at **1-866-783-7400**, or [warranty@maruyama-us.com](mailto:warranty@maruyama-us.com).

## **COVERAGE**

Maruyama Manufacturing Company, Inc. warrants to the ultimate purchaser and each subsequent purchaser that your small off-road engine will be designed, built and equipped, at the time of sale, to meet all applicable regulations. Maruyama Manufacturing Company, Inc. also warrants to the initial purchaser and each subsequent purchaser that your small off-road engine is free from defects in materials and workmanship which cause the engine to fail to conform with applicable regulations for a period of two years.

The 1997 and later model years, EPA requires manufacturers to small off-road engines for two years. These warranty periods will begin on the date the small off-road engine is purchased by the initial purchaser. If any emission-related part on your engine is defective, the part will be replaced by Maruyama Manufacturing Company, Inc. at no cost to the owner.

Maruyama Manufacturing Company, Inc. shall remedy warranty defects at any authorized Maruyama Manufacturing Company, Inc. engine dealer or warranty station. Any authorized work done at an authorized dealer or warranty station shall be free of charge to the owner if such work determines that a warranted part is defective. Any manufacturer-approved or equivalent replacement part may be used for any warranty maintenance or repairs on emission-related parts, and must be provided free of charge to the owner if the part is still under warranty, Maruyama Manufacturing Company, Inc. is liable for damages to other engine components caused by the failure of a warranted part still under warranty.

EPA considers emission-related warranted parts to include all the parts listed below.

These warranted parts are: **the carburetor assembly, the ignition coil assembly, the ignition rotor, the spark plug, the catalytic converter, and the fuel tank.**

## **MAINTENANCE REQUIREMENTS**

The owner is responsible for the performance of the required maintenance as defined by the Maruyama Manufacturing Company, Inc. in the Owner's/Operator's Manual.

## **LIMITATIONS**

This Emission Control System Warranty shall not cover any of the following:

- (a) repair or replacement required because of misuse or neglect, lack of required maintenance, repairs improperly performed or replacements not conforming to Maruyama Manufacturing Company, Inc. specifications that adversely affect performance and/or durability, and alterations or modifications not recommended or approved in writing by Maruyama Manufacturing Company, Inc., and
- (b) replacement of parts and other services and adjustments necessary for required maintenance at and after the first scheduled replacement point.

# CALIFORNIA EMISSION CONTROL WARRANTY STATEMENT

## YOUR WARRANTY RIGHTS AND OBLIGATIONS

The California Air Resources Board (CARB), and Maruyama Manufacturing Company, Inc. are pleased to explain the emission control system warranty on your 2013 small off-road engine. In California, new small off-road engines must be designed, built and equipped to meet the State's stringent anti-smog standards. Maruyama Manufacturing Company, Inc. must warrant the emission control system on your small off-road engine for the period of time listed above provided there has been no abuse, neglect or improper maintenance of your small off-road engine.

Your emission control system may include parts such as the carburetor or fuel injection system, the ignition system, fuel tank and catalytic converter. Also included may be hoses, belts, and connectors and other emission related assemblies.

Where a warrantable condition exists, Maruyama Manufacturing Company, Inc. will repair your small off-road engine at no cost to you, including diagnosis, parts, and labor.

### **MANUFACTURER'S WARRANTY COVERAGE:**

The 1995 and later small off-road engines are warranted for two years. If any emission-related part on your engine is defective, the part will be repaired or replaced by Maruyama Manufacturing Company, Inc.

### **OWNER'S WARRANTY RESPONSIBILITIES:**

- (a) As the small off-road engine owner, you are responsible for the performance of the required maintenance listed in your Owner's/Operator's Manual.  
Maruyama Manufacturing Company, Inc. recommends that you retain all receipts covering maintenance on your small off-road engine, but Maruyama Manufacturing Company, Inc. cannot deny warranty solely for the lack of receipts or for your failure to ensure the performance of all scheduled maintenance.
- (b) As the small off-road engine owner, you should be aware, however, that Maruyama Manufacturing Company may deny you warranty coverage if your small off-road engine or a part has failed due to abuse, neglect, improper maintenance or unapproved modifications.
- (c) You are responsible for presenting your small off-road engine to a Maruyama Manufacturing Company, Inc. distribution center as soon as a problem exists. The warranty repairs should be completed in a reasonable amount of time, not to exceed 30 days.

If you have any questions regarding your warranty rights and responsibilities, you should contact Maruyama U.S., Inc. at **1-866-783-7400**, or [warranty@maruyama-us.com](mailto:warranty@maruyama-us.com).

### **Emission System Parts**

**Exhaust Emission**  
**Carburetor, Air Filter, Fuel Filter**  
**Muffler, Catalytic Converter**  
**Ignition Coil / Magneto, Spark Plug**  
**EGR Valve (piston)**

**Evaporative Emission**  
**Fuel Tank**

# TABLE OF CONTENTS

Limited Warranty Statement.....	1	Before operation.....	22
Federal Emission Control.....	3	Starting and stopping procedure.....	25
California Emission Control.....	5	Oiler adjustment.....	28
Table of contents.....	6	Chain adjustment.....	28
Introduction.....	6	Chain brake.....	29
Safety precautions for chain saw users.....	7	Cutting instruction.....	31
Specifications.....	9	Saw chain maintenance.....	35
Product description.....	10	Regular maintenance.....	37
Marking.....	11	Carburetor adjustment.....	42
Symbol Explanation.....	12	Storage.....	43
Safety instructions.....	13	Troubleshooting.....	44
Assembly.....	17	Maintenance period.....	45
Assembly for e-JUST.....	20		

## Introduction

Thank you for purchasing a Maruyama product.

Maruyama, its distributors, and dealers want you to be completely satisfied with your new product. Please feel free to contact your local Authorized Service Dealer for help with service, genuine Maruyama parts, or other information you may require.

Whenever you contact your Authorized Service Dealer or the factory, always know the serial number of your product. This number will help the Service Dealer or Service Representative provide exact information about your specific product. You will find the model and serial number located in a unique place on the product (MARKING on page US-11).

For your convenience, write the product model name and serial number in the space to the right.

<b>Model Name</b> _____
<b>Serial No.</b> _____

Read this manual carefully to learn how to operate and maintain your product correctly. Reading this manual will help you and others avoid personal injury and damage to the product.

Although Maruyama designs, produces and markets safe, state-of-the-art products, you are responsible for using the product properly and safely. (You are also responsible for training persons who you allow to use the product about safe operation.)

**⚠️WARNING** It is essential that any operator of this Chain Saw reads and understands the contents of this manual before using the Chain Saw.

For additional assistance, contact any local authorized MARUYAMA dealer.



# SAFETY PRECAUTIONS FOR CHAIN SAW USERS

## KICKBACK SAFETY PRECAUTIONS

### **⚠️WARNING**

Kickback may occur when the nose or tip of the guide bar touches an object, or when the wood closes in and pinches the saw chain in the cut. Tip contact in some cases may cause a lightning-fast reverse reaction, kicking the guide bar up and back toward the operator. Pinching the saw chain along the top of the guide bar may push the guide bar rapidly back toward the operator. Either of these reactions may cause you to lose control of the saw, which could result in serious personal injury. Do not rely exclusively upon the safety devices built into your saw. As a chain saw user, you should take several steps to keep your cutting jobs free from accident or injury.

1. With a basic understanding of kickback, you can reduce or eliminate the element of surprise. Sudden surprise contributes to accidents.
2. Keep a good firm grip on the saw with both hands, the right hand on the rear handle and the left hand on the front handle, when the engine is running. Use a firm grip with thumbs and fingers encircling the chain saw handles. A firm grip will help you reduce kickback and maintain control of the saw. Don't let go.
3. Make sure that the area in which you are cutting is free from obstructions. Do not let the nose of the guide bar contact a log, branch, or any other obstruction that could be hit while you are operating the saw.
4. Cut at high engine speeds.
5. Do not overreach or cut above shoulder height.
6. Follow the manufacturer's sharpening and maintenance instructions for the saw chain.
7. Only use replacement bars and chains specified by the manufacturer or the equivalent.

## OTHER SAFETY PRECAUTIONS

1. Do not operate a chain saw with one hand! Serious injury to the operator, helpers, bystanders, or any combination of these persons may result from one-handed operation. A chain saw is intended for two-handed use.
2. Do not operate a chain saw when you are fatigued.
3. Use safety footwear; snug-fitting clothing; protective gloves; and eye, hearing, and head protection devices.
4. Use caution when handling fuel. Move the chain saw at least 10 feet (3 m) from the fueling point before starting the engine.
5. Do not allow other persons to be near the chain saw when starting or cutting with the chain saw. Keep bystanders and animals out of the work area.
6. Do not start cutting until you have a clear work area, secure footing, and a planned retreat path from the falling tree.
7. Keep all parts of your body away from the saw chain when the engine is running.
8. Before you start the engine, make sure that the saw chain is not contacting anything.
9. Carry the chain saw with the engine stopped, the guide bar and saw chain to the rear, and the muffler away from your body.
10. Do not operate a chain saw that is damaged, improperly adjusted, or not completely and securely assembled. Be sure that the saw chain stops moving when the throttle control trigger is released.
11. Shut off the engine before setting the chain saw down.
12. Use extreme caution when cutting small-size brush and saplings because slender material may catch the saw chain and be whipped toward you or pull you off balance.
13. When cutting a limb that is under tension, be alert for springback so that you will not be struck when the tension in the wood fibers is released.



14. Keep the handles dry, clean, and free of oil or fuel mixture.
15. Operate the chain saw only in well-ventilated areas.
16. Do not operate a chain saw in a tree unless you have been specifically trained to do so.
17. All chain saw service, other than the items listed in the Owner's/Operator's Manual. maintenance instructions, should be performed by competent chain saw service personnel. (For example, if improper tools are used to remove the flywheel or if an improper tool is used to hold the flywheel in order to remove the clutch. Structural damage to the flywheel could occur and subsequently could cause the flywheel to burst.).
18. When transporting your chain saw, use the appropriate guide-bar scabbard.

# SPECIFICATIONS

Models	MCV31R	
Length × Width × Height ※	413×244×238mm	
Dry Weight (empty tanks) ※	3.4kg	
Fuel Tank Capacity	240cm <sup>3</sup>	
Tank Capacity for chain lubrication oil	180cm <sup>3</sup>	
Engine	Type	Air cooled 2-cycle single cylinder
	Engine Displacement	30.1cm <sup>3</sup>
	Maximum engine power (kw)	1.04
	Carburetor	Walbro Diaphragm type
	Magneto	Flywheel magneto, CDI system
	Spark Plug: Make Type Electrode Gap	NGK BPM8Y 0.6 ~ 0.7mm
	Starter	Recoil starter
	Power transmission	Automatic centrifugal clutch
	Recommended maximum speed with cutting attachment	12000 r/min
	Recommended speed at idling	3000 r/min
	Fuel Mixture	50:1
Guide bar	12 inches guide Bar 14 inches guide Bar	
Chain	Specified pitch	9.53mm, 3/8 inch
	Specified gauge (thickness of drive links)	1.27 mm, 0.050 inch
	Type of chain	Oregon 91PX
	Lubrication	Adjustable automatic oil pump
Drive Sprocket	number of teeth	6
	Pitch	9.53 mm, 3/8 inches
Other devices	Front hand guard, Throttle trigger lockout, Chain catcher, Chain brake, Anti-vibration device, Spark arrester muffler	
Option	Spiked bumper	

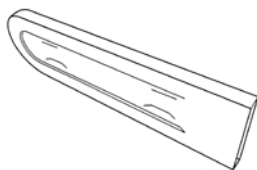
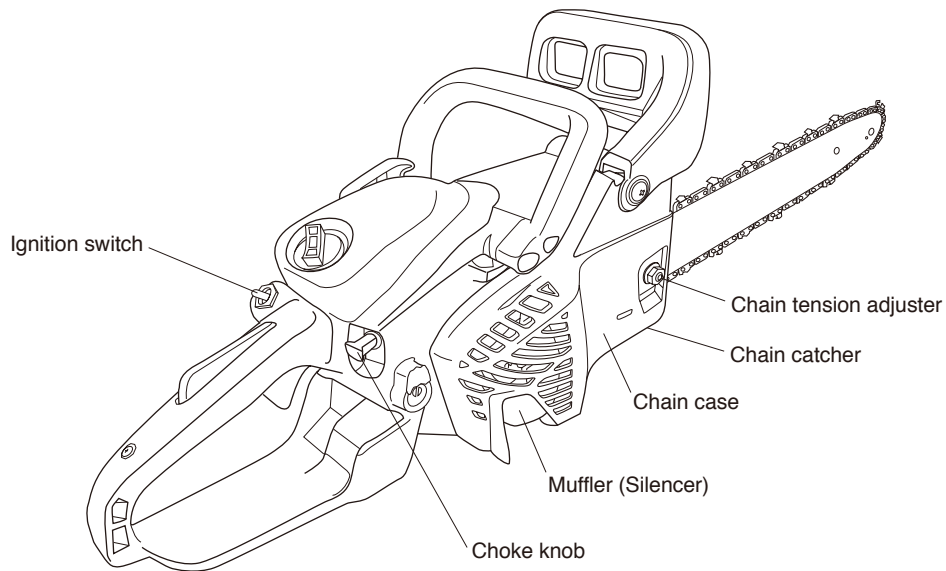
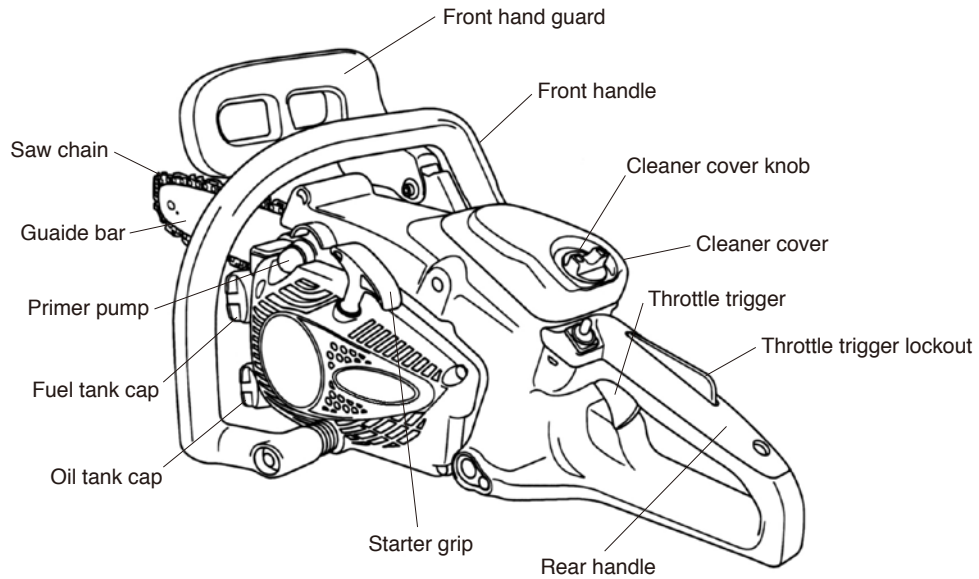
※ Without guide bar and saw chain

**Emission durability of 300 hours.**

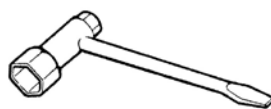
**You should only use the saw with the bar and chain combination we recommend in the chapter SAW CHAIN MAINTENANCE.**

# PRODUCT DESCRIPTION

MODEL: MCV31R



Guide bar cover



13x19 mm T-wrench  
(Combination screwdriver/  
spark plug socket)



Owner's/Operator's  
Manual

# MARKING



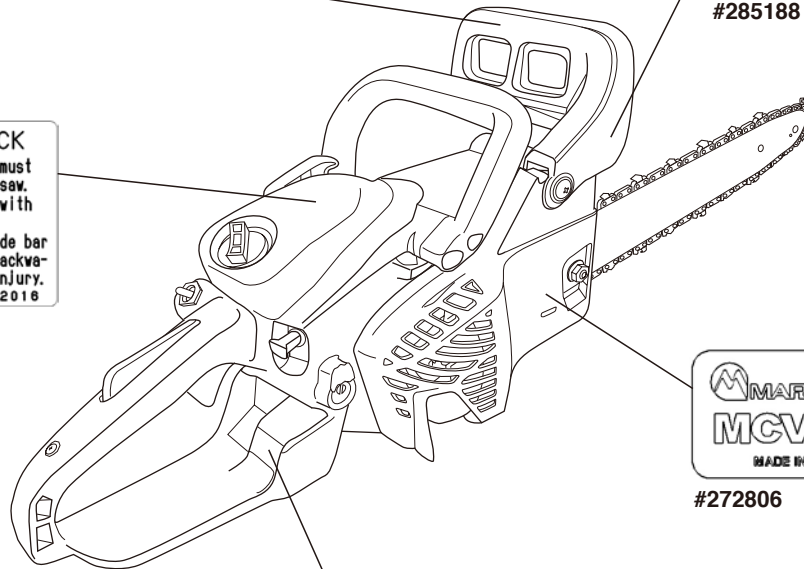
**WARNING**  
OPERATION OF THIS EQUIPMENT MAY CREATE SPARKS THAT CAN START FIRES AROUND DRY VEGETATION. A SPARK ARRESTOR MAY BE REQUIRED. THE OPERATOR SHOULD CONTACT LOCAL FIRE AGENCIES FOR LAWS OR REGULATIONS RELATING TO FIRE PREVENTION REQUIREMENTS.

#287161

#285188

**TO AVOID KICKBACK**  
1. Both of the operator's hands must be used to operate the chain saw.  
2. Contact of the guide bar tip with any object should be avoided.  
3. Tip contact may cause the guide bar to move suddenly upward and backward, which may cause serious injury.  
272016

#272016



#272806

GUIDE BAR P/N (OREGON)	CHAIN P/N (OREGON)	REPLACEMENT BAR AND CHAIN
12" 120SDEA041	91PX045E	Note: For the details of guide bar and saw chain combinations, see the instruction manual. There may be other replacement components for achieving kickback protection.
14" 140SDEA041	91PX052E	

272019

#272019

**WARNING:** Read and follow all safety precautions in the instruction manual. Failure to follow instructions could result in serious personal injury.  
272017

#272017















A\*12345

Serial number



#282631

# SYMBOL EXPLANATION

	Read and understand this Manual before using this product.		Always use: A protective helmet. Ear protection. Protective glasses or visor.
	Fire Danger: Gasoline is highly flammable. Never add fuel to the Chain Saw with a running or hot engine. Do not smoke or place any sources of heat in the vicinity of the fuel.		Hot Surface Warning: Contact may cause burns. During use and for some time after stopping the engine, the engine is very hot. Do not touch engine components such a cylinder, muffler and engine covers until the engine has cooled to ambient temperature.
	Warning. Kickback may occur!		One handed operation of the chain saw can be dangerous.
	Oil and petrol mixture		Chain oil fill
	O: off / Engine stop I: on / Engine start		CHOKE -Pull choke knob to "COLD START"
	Recommended maximum speed		Turning the screw in + direction (large arrow) will increase the amount of chain oil, or in the - direction (small arrow) will decrease it.
<b>H</b>	Carburetor adjustment High speed mixture	<b>L</b>	Carburetor adjustment Low speed mixture
<b>T</b>	Carburetor adjustment Idle speed		Primer pump
	Chain brake operation		



This symbol means whatever is show is prohibited.

# SAFETY INSTRUCTIONS

The warning system in This manual identifies potential hazards and has special safety messages that help you and others avoid personal injury, even death.

**⚠DANGER**, **⚠WARNING** and **⚠CAUTION** are signal words to identify the level of hazard.

**⚠DANGER**: signals an extreme hazard that will cause serious injury or death if the recommended precautions are not followed.

**⚠WARNING**: signals a hazard that may cause serious injury or death if the recommended precautions are not followed.

**⚠CAUTION**: signals a hazard that may cause minor or moderate injury if the recommended precautions are not followed. Two other words are also used to highlight information. “Important” calls attention to special mechanical information and “Note” emphasizes general information worthy of special attention.

## OPERATOR SAFETY

- 1 Read and understand this Manual before using this product. Be thoroughly familiar with the proper use of this product.
- 2 Never allow children to operate the Chain Saw. It is not a toy. Never allow adults to operate the unit without first reading the Owner's/Operator's Manual.
- 3 Always wear eye protection that complies with ANSI (American National Standards Institute) Z87.1.
- 4 Always wear eye protection, hearing protection and a face filter mask. Making a selection of hearing protector, please select a high-frequency prevention type of hearing protector. Please consult about the selection of hearing protector at service shop in the detail.
- 5 Always wear sturdy boots with nonslip soles.
- 6 Always wear a cap or hat. A safety hard hat is highly recommended when felling or working under trees.
- 7 Always wear heavy long pants, a long sleeved shirt, boots and gloves. Do not wear loose clothing, jewelry, short pants, sandals, or go barefoot. Secure hair so it is above shoulder length. Making a selection of protectors (protective clothing, gloves, foot protection, and etc.), please select durable light weight, and warm one to prevent fatigue. You may have seriously injured without proper protection.
- 8 Never operate this Chain Saw when you are tired, ill, under the influence of alcohol, drugs or medication.
- 9 Never start or run the engine inside a closed room or building. Breathing exhaust fumes can cause death.
- 10 Operate the chain saw only in well-ventilated areas. Exhaust gas, oil mist or saw dusts are harmful to health.
- 11 Keep handles clean of oil, fuel and dirt.

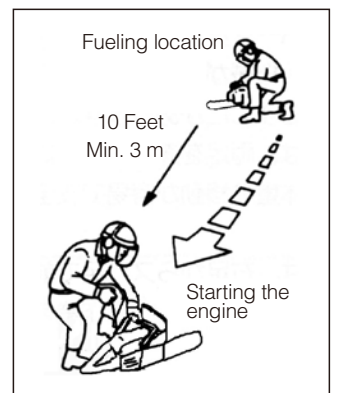
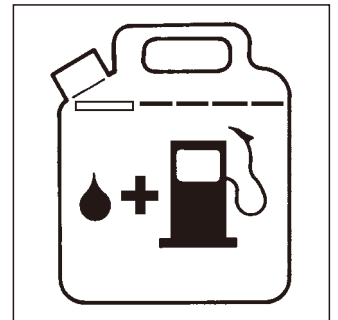


## **CHAIN SAW SAFETY**

1. Make sure the Chain Saw is correctly assembled as instructed in the Assembly section of this manual.
2. Before each use, inspect the Chain Saw, replace damaged parts, and check for fuel leaks. Make sure all fasteners are in place and tightened securely.
3. Maintain the Chain Saw in accordance with the recommended maintenance intervals and procedures detailed in the "Saw chain Maintenance" and "Regular Maintenance".
4. Use the correct accessories. Never use replacement parts that are not approved by Maruyama.
5. Shut off the engine before performing maintenance or working on the machine.
6. If running problems or excessive vibration occur, stop immediately and inspect the unit for the cause. If servicing dealer for repair.
7. Never modify a chain saw in any way.

## **FUEL SAFETY**

1. Gasoline is highly flammable and must be handled and stored carefully. Use a container approved for storing gasoline and/or fuel/oil mixture.
2. Mix and pour fuel outdoors and where there are no sparks or flames.
3. Do not smoke near fuel storage containers or the Chain Saw. Do not smoke while operating the Chain Saw.
4. Do not overfill the fuel tank. Stop filling 1/4-1/2inch (6mm-13mm) from the top of the tank.
5. Wipe up any spilled fuel before starting the engine.
6. Move the Chain Saw at least 10feet (3m) away from the fueling location before starting the engine.
7. Do not remove the fuel tank cap while the engine is running or immediately after stopping the engine.
8. Allow the engine to cool before refueling.
9. Empty the fuel tank before storing the Chain Saw. Fuel should be emptied after each use as fuel remaining in the tank may leak during storage.
10. Store both fuel and the Chain Saw away from open flame, sparks and excessive heat. Make sure fuel vapors cannot reach sparks or open flames from heaters, furnaces, electric motors, etc.





## **OPERATING SAFETY**

1. THIS CHAIN SAW CAN CAUSE SERIOUS INJURIES. Read the instructions carefully. Be familiar with all controls and the proper use of the Chain saw.
2. Avoid using the Chain saw near rocks, gravel, stones and similar materials which can become dangerous projectiles.
3. Keep the area of operation clear of all persons, particularly small children and pets.
4. If you are approached while operating the Chain saw, stop the engine.
5. Never allow children to operate the Chain saw.
6. Use the Chain saw only in daylight or adequate artificial lighting.
7. Never operate the Chain saw without proper guards or other protective safety devices in place.
8. Do not put hands or feet near any moving parts. Keep clear of hot surfaces such as the muffler.
9. Maintain a firm footing while operating the Chain saw.
10. Use the right tool for the job. Do not use the Chain saw for any job that is not recommended.
11. Know how to stop the machine quickly in an emergency. For information on how to stop the engine refer to the "STARTING AND STOPPING PROCEDURES".

## **OTHER SAFETY PRECAUTIONS VIBRATION**

Prolonged use of chain saw exposing the operator to vibrations may produce white finger disease (Raynaud's phenomenon). This conditions reduce the hand's ability to feel and regulate temperature, produce numbness and burning sensations and may cause never and circulation damage and tissue necrosis.

All factors which contribute to white finger disease are not known, but cold weather, rainy weather, smoking and diseases or physical conditions that affect blood vessels and blood circulation, as well as high vibration levels and long periods of exposure to vibration are mentioned as factors in the development of white finger disease. In order to reduce the risk of white finger disease, please following clause.

- Select the appropriate work equipment the least possible vibration.
- Use the appropriate for guide bar to operation.
- Making a selection of protectors (protective clothing, gloves, foot protection, and etc.), please select durable light weight, and warm one.
- Massage the palms and arms of one's hands, on one's break and after operation.
- Take frequent breaks.

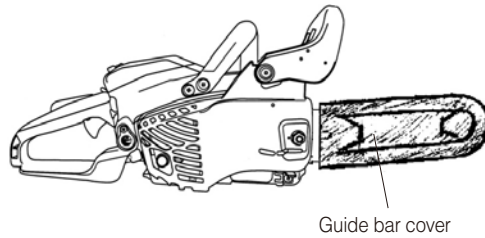
**IMPORTANT** : Please be seen an academic doctor if you have dubitable symptom.

## **OTHER SAFETY PRECAUTIONS NOISE**

- Chain saw noise may damage your hearing. Always wear hearing protection.
- Continual and regular users should have their hearing checked regularly.
- You may feel further fatigue under noisy condition compare to normal circumstances.

## **TRANSPORTATION**

When transporting your chain saw, use the appropriate guide bar cover.  
Carry the chain saw with the engine stopped.



# ASSEMBLY

## ⚠ WARNING

### POTENTIAL HAZARD

- Saw chain is sharp.

### WHAT CAN HAPPEN

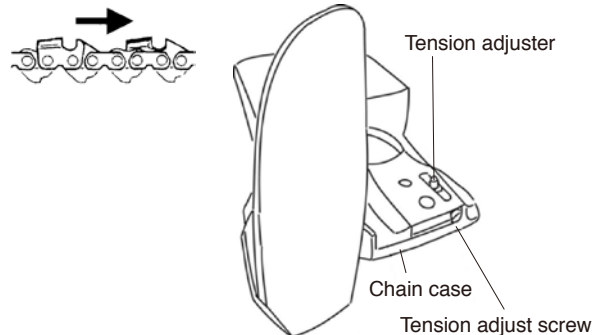
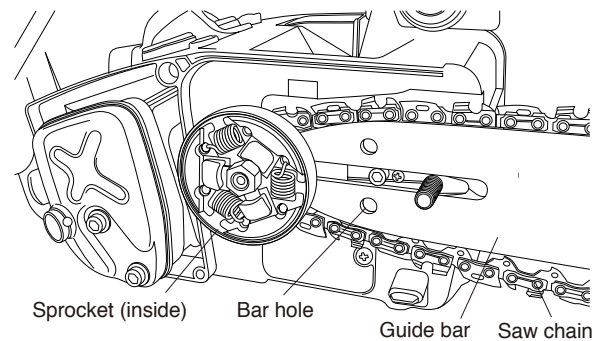
- Contact with the saw Chain can cause personal injury.

### HOW TO AVOID THE HAZARD

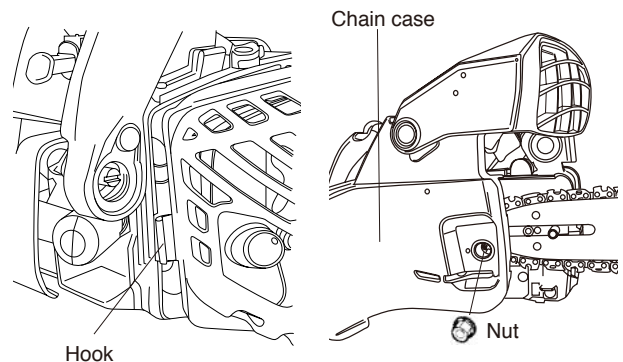
- Wear gloves when you handle the saw chain.
- Always stop the engine before performing any of the following operations.

## MOUNTING THE GUIDE BAR AND CHAIN

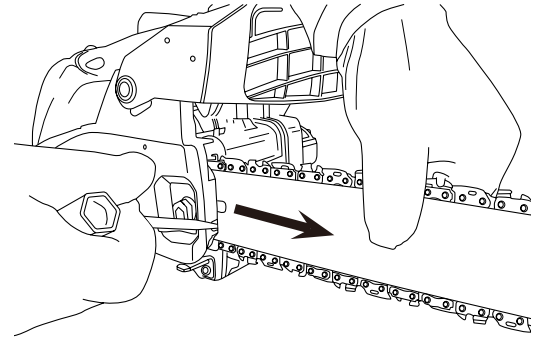
1. Make sure the chain brake is released.  
Refer to “CHAIN BRAKE”.
2. Unscrew the guide bar retaining nut and remove the chain case.
3. Attach the chain to the sprocket in the right direction first, then fit it in the bar groove of the guide bar.



4. Make sure the chain brake is released.
5. Engage the rear part of the chain case with the hook on engine case, and fit the tension adjuster into the bar hole.  
Reinstall the chain case on the engine case and screw on the guide bar retaining nut only finger tight.



6. Turn the tension adjusting screw clockwise to increase tension.



7. While still holding the bar nose up, tighten down the nut firmly with using the supplied box spanner.

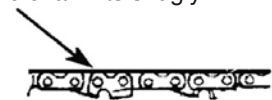
[Tightening torque]

1500 ~ 2000 N·cm (153 ~ 204kgf·cm)

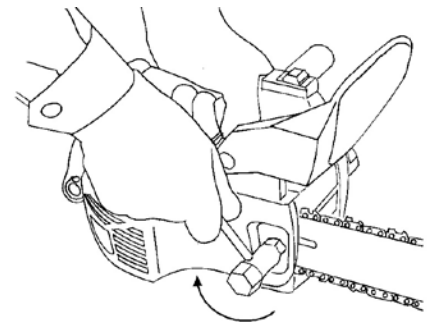
**When tightening with the supplied box spanner, hold the handle of the supplied box spanner and securely tighten the nut.**



Guide bar  
The chain fits snugly.

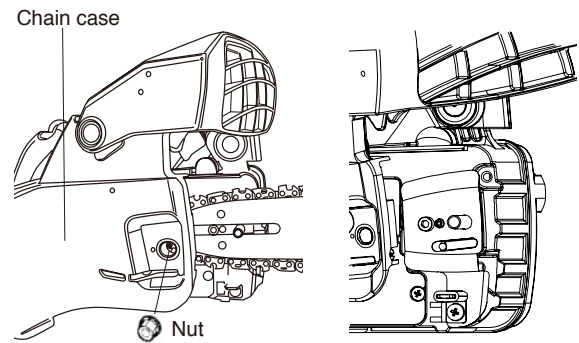


8. Tension is correct when the chain fits snugly against the bar and can still be pulled along the bar by hand. If necessary, loosen the guide bar retaining nuts and readjust it.

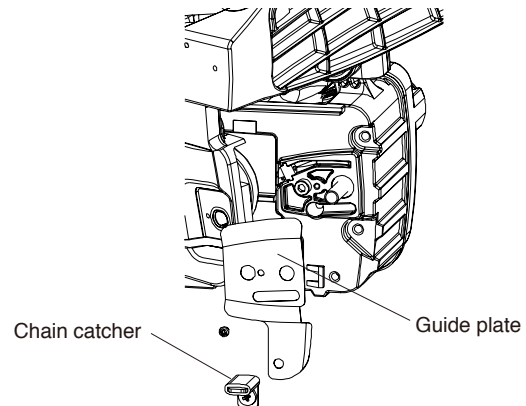


## **INSTALLING THE SPIKED BUMPER (OPTION)**

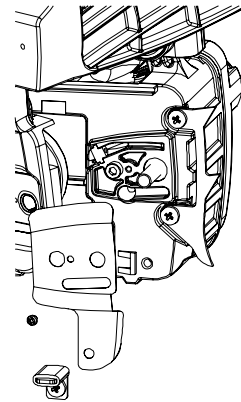
1. Make sure the chain brake is released.  
Refer to “CHAIN BRAKE”.
2. Unscrew the nut and remove the chain case.  
Remove the saw chain and guide bar.



3. Remove the screw that attaches the guide plate.  
Remove the chain catcher and the guide plate.



4. Screw the spiked bumper onto the engine case with 2 screws and tighten to 300 ~ 400 N•cm (31 ~ 41kgf-cm).



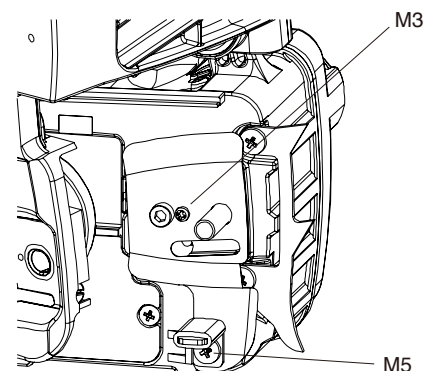
5. Attach the guide plate with the guide plate retaining screw (M3) and the chain catcher retaining screw (M5).

[Tightening torque]

M3 : 80 ~ 120 N•cm (8.2 ~ 12.2kgf-cm)

M5 : 300 ~ 400N•cm (31 ~ 41kgf-cm)

6. For mounting the guide bar and chain, refer to “MOUNTING THE GUIDE BAR AND CHAIN”.



# ASSEMBLY FOR e-JUST

## ⚠ WARNING

### POTENTIAL HAZARD

- Saw chain is sharp.

### WHAT CAN HAPPEN

- Contact with the saw Chain can cause personal injury.

### HOW TO AVOID THE HAZARD

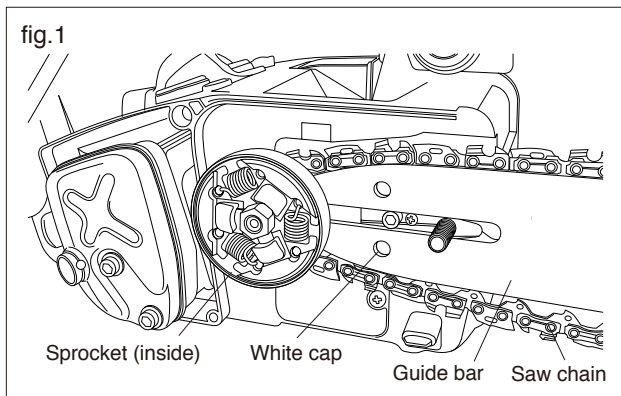
- Wear gloves when you handle the saw chain.
- Always stop the engine before performing any of the following operations.

## MOUNTING THE GUIDE BAR AND CHAIN

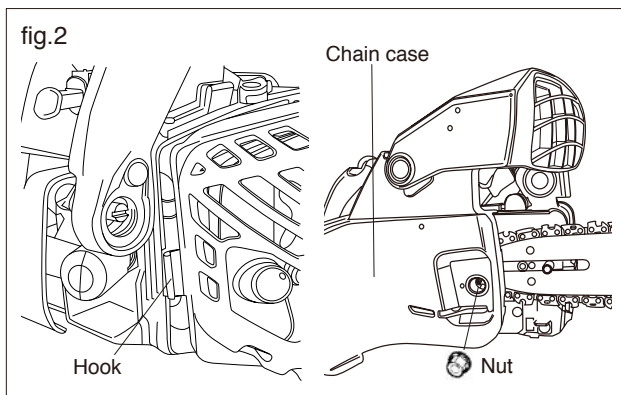
Chain tensioning mechanism interlocked with front hand guard (e-JUST).



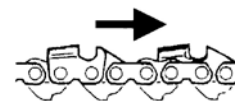
## 〈INSTALLATION FOR e-JUST〉



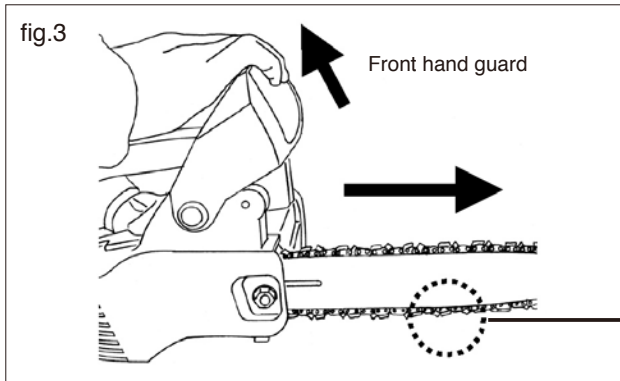
1. Make sure the chain brake is released. Refer to “CHAIN BRAKE”.
2. Unscrew the guide bar retaining nut and remove the chain case. (refer to fig.2)
3. Attach the chain to the sprocket in the right direction first, then fit it in the bar groove of the guide bar. Ensure that the white cap on the body fits into the bar hole provided for adjusting tension. (refer to fig.1)



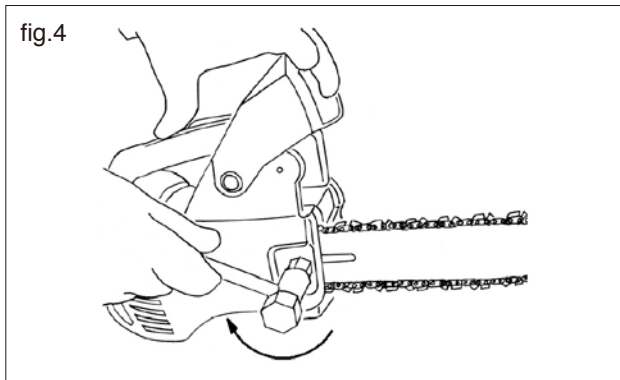
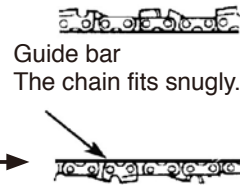
Direction of saw chain



4. Engage the rear part of the chain case with the hook on engine case, and fit the tension adjuster into the bar hole.  
Reinstall the chain case on the engine case and Screw on the guide bar retaining nut only finger tight. (refer to fig.2)



5. Guide bar is moved forward and tension the chain along with pulling up the front hand guard. (refer to fig.3)



6. Keeping the Front hand guard position, while still holding the bar nose up, tighten down the nut firmly with using the supplied box spanner. (refer to fig.4)

[Tightening torque]

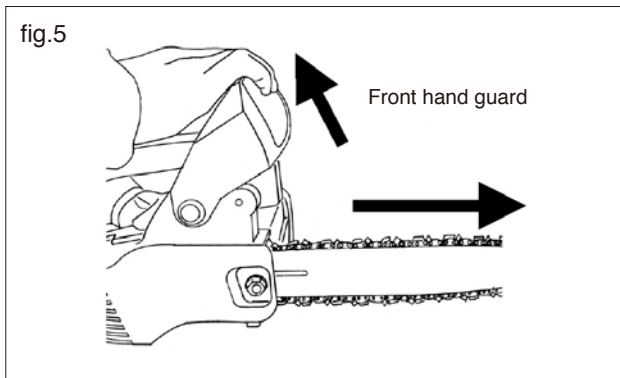
1500 ~ 2000N•cm {153 ~ 204kgf-cm}

**When tightening with the supplied box spanner, hold the handle of the supplied box spanner and securely tighten the nut (refer to fig.4).**

## 〈CHAIN ADJUSTMENT FOR e-JUST〉

Check chain tension frequently. If necessary, retension the chain according to the following adjustment procedure. Especially just after installing a new chain, retension more frequently.

New chains may stretch more during their initial use.



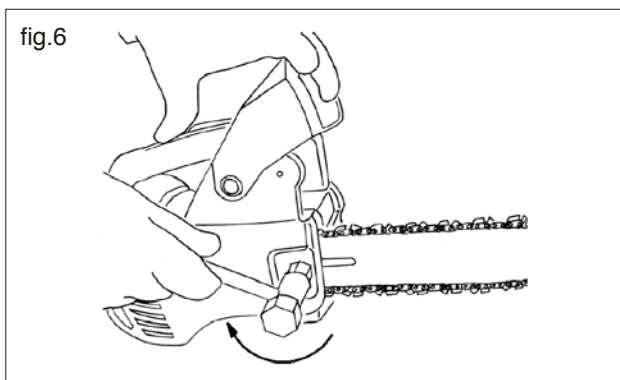
1. Loosen the guide bar retaining nut with using the supplied box spanner. Guide bar is moved forward and tension the chain along with pulling up the front hand guard. (refer to fig.5)

2. While still holding the bar nose up, tighten down the nut firmly with using the supplied box spanner. (refer to fig.6)

[Tightening torque]

1500 ~ 2000N•cm {153 ~ 204kgf-cm}

**When tightening with the supplied box spanner, hold the handle of the supplied box spanner and securely tighten the nut.**



3. The tension of the chain is correct if the chain rests the bottom side of the guide bar and can still be easily turned by hand. If necessary, loosen the guide bar retaining nuts and readjust it.



# BEFORE OPERATION

## OIL AND FUEL

### **DANGER**

#### **POTENTIAL HAZARD**

- In certain conditions gasoline is extremely flammable and highly explosive.

#### **WHAT CAN HAPPEN**

- A fire or explosion from gasoline can burn you, others and cause property damage.

#### **HOW TO AVOID THE HAZARD**

- Use a funnel and fill the fuel tank outdoors, in an open area, when the engine is cold.  
Wipe up any gasoline that spills.
- Do not fill the fuel tank completely full. Add gasoline to the fuel tank until the level is 1/4" to 1/2" ( 6 mm to 13mm ) below the bottom of the filler neck. This empty space in the tank allows gasoline to expand.
- Never smoke when handling gasoline, and stay away from an open flame or where gasoline fume may be ignited by a spark.
- Store gasoline in an approved container and keep it out of the reach of children.
- Never buy more than a 30-day supply of gasoline.

### **WARNING**

#### **POTENTIAL HAZARD**

- Gasoline contains gasses that can build up pressure inside a fuel tank.

#### **WHAT CAN HAPPEN**

- Fuel can be sprayed on you when removing fuel tank cap.

#### **HOW TO AVOID THE HAZARD**

- Remove fuel tank cap slowly to avoid injury from fuel spray.

## **FUELING**

 **WARNING** The following precautions will lessen the risk of fire.

1. Do not smoke near fuel.
2. Mix and pour fuel outdoors and where there are no sparks or flames.
3. Always shut off the engine before refueling. Never remove the fuel tank cap while the engine is running or immediately after stopping the engine.
4. Always open the fuel tank cap slowly to release any possible pressure inside the tank.
5. Do not overfill the fuel tank. Stop filling 1/4-1/2inch (6mm-13mm) from the top of the tank.
6. Tighten the tank fuel cap carefully but firmly after refilling.
7. Wipe up any spilled fuel before starting the engine.
8. Move the Chain saw at least 10feet (3m) away from the fueling location and fuel storage container before starting the engine.

## **Recommended Oil Type**

Only use a two-cycle engine oil formulated for use in high-performance, air-cooled two-cycle engines. Maruyama brand 2-cycle oil is formulated for use in high-performance, air-cooled two-cycle engines.

**IMPORTANT: Do not use National Marine Manufacturer's Association (NMMA) or BIA certified oils. This type of 2-cycle engine oil does not have the proper additives for aircooled, 2-cycle engines and can cause engine damage.**  
**Do not use automotive motor oil. This type of oil does not have the proper additives for aircooled, 2-cycle engines and can cause engine damage.**

## **Recommended Fuel Type**

Use clean, fresh lead-free gasoline, including oxygenated or reformulated gasoline, with an octane rating of 85 or higher. To ensure freshness, purchase only the quantity of gasoline that can be used in 30 days. Use of lead-free gasoline results in fewer combustion chamber deposits and longer spark plug life. Use of premium grade fuel is not necessary or recommended.

## **Use Of Fuel Additives**

**IMPORTANT: NEVER USE METHANOL, GASOLINE CONTAINING METHANOL, GASOHOL CONTAINING MORE THAN 10% ETHANOL, PREMIUM GASOLINE, OR WHITE GAS BECAUSE ENGINE FUEL SYSTEM DAMAGE COULD RESULT.**

**DO NOT USE FUEL ADDITIVES OTHER THAN THOSE MANUFACTURED FOR FUEL STABILIZATION DURING STORAGE SUCH AS MARUYAMA'S STABILIZER/CONDITIONER OR A SIMILAR PRODUCT. MARUYAMA'S STABILIZER/CONDITIONER IS A PETROLEUM DISTILLATE BASED CONDITIONER/STABILIZER.**

**MARUYAMA DOES NOT RECOMMEND STABILIZERS WITH AN ALCOHOL BASE SUCH AS ETHANOL, METHANOL OR ISOPROPYL. ADDITIVES SHOULD NOT BE USED TO TRY TO ENHANCE THE POWER OR PERFORMANCE OF MACHINE.**

## **Mixing Gasoline And Oil**

**IMPORTANT: The engine used on this Chain Saw is of a 2-cycle design. The internal moving parts of the engine, i.e., crankshaft bearings, piston pin bearings and piston to cylinder wall contact surfaces, require oil mixed with the gasoline for lubrication.**

**Failure to add oil to the gasoline or failure to mix oil with the gasoline at the appropriate ratio will cause major engine damage which will void your warranty.**

**For your fuel premix, only use a quality oil designed for 2-cycle air cooled engines. Maruyama 50:1 2-cycle Oil is formulated to meet the requirements of high-performance, air-cooled two-cycle engines.**

## **Fuel Mixture**

The fuel: oil ratio is 50 parts gasoline to 1 part oil or 50:1.



**Note: Never use a mixing ratio less than 50:1 regardless of the oil package mixing instructions. Ratios less than 50:1, (for example, 60:1, 80:1, 100:1), reduce the amount of lubrication to the internal moving parts of the engine and can cause damage.**

## **Fuel Mixture Chart**

<b>Gasoline</b>	<b>50:1 2-cycle oil</b>
1 gallon	2.6 oz.
2 gallons	5.1 oz.
5 gallons	12.8 oz.

1 litre	20ml
5 litre	100ml

## **Mixing Instructions**

**IMPORTANT: Never mix gasoline and oil directly in the Chain Saw fuel tank.**

1. Always mix fuel and oil in a clean container approved for gasoline.
2. Mark the container to identify it as fuel mix for the Chain Saw.
3. Use regular unleaded gasoline and fill the container with half the required amount of gasoline.
4. Pour the correct amount of oil into the container then add the remaining amount of gasoline.
5. Close the container tightly and shake it momentarily to evenly mix the oil and the gasoline before filling the fuel tank on the Chain Saw.
6. When refilling the Chain Saw fuel tank, clean around the fuel tank cap to prevent dirt and debris from entering the tank during cap removal.
7. Always shake the premix fuel container momentarily before filling the fuel tank.
8. Always use a spout or funnel when fueling to reduce fuel spillage.
9. Fill the tank only to within 1/4-1/2 inch (6 mm-13 mm) from the top of the tank. Avoid filling to the top of the tank filler neck.

# STARTING AND STOPPING PROCEDURE

## ⚠ WARNING

- Do not start engine before chain brake is activated.

## ⚠ CAUTION

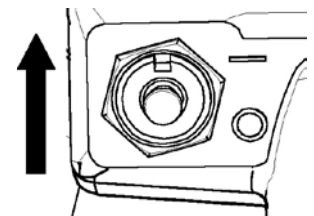
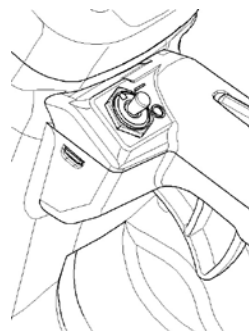
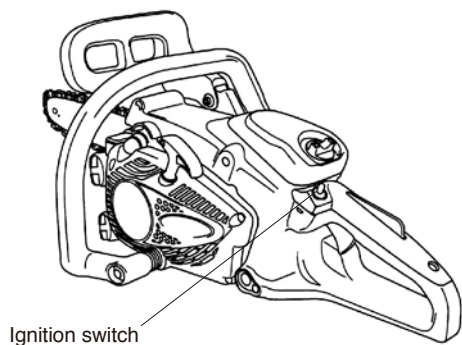
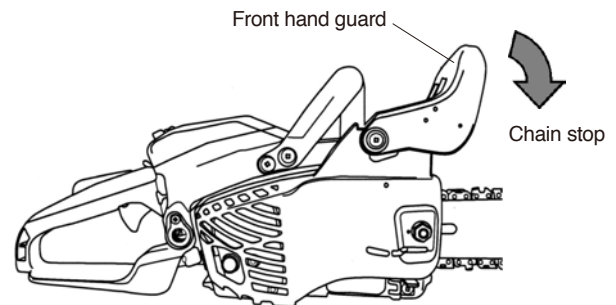
- Do not increase engine speed with the chain brake engaged.  
This may cause excessive heat to covers or damage to the clutch.

### **BEFORE STARTING THE ENGINE**

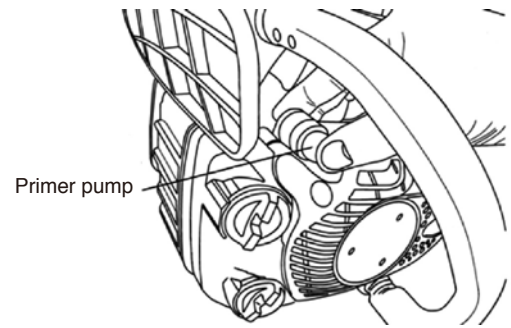
1. Fill the fuel tank as instructed in the Before Operation section of this manual.
2. Rest the chain saw on the ground.
3. Make sure the area is clear of any broken glass, nails, wire, rocks or other debris.
4. Keep all bystanders, children and animals away from the working area.

### **COLD STARTING PROCEDURE**

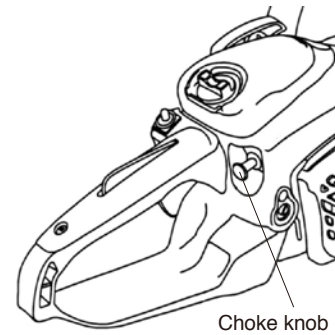
1. Lock the chain by pushing the hand guard forward.  
Always engage the chain brake before starting the chain saw.
2. Turn on the ignition switch, which is located on the front part of the rear handle, to the start position (“—”).



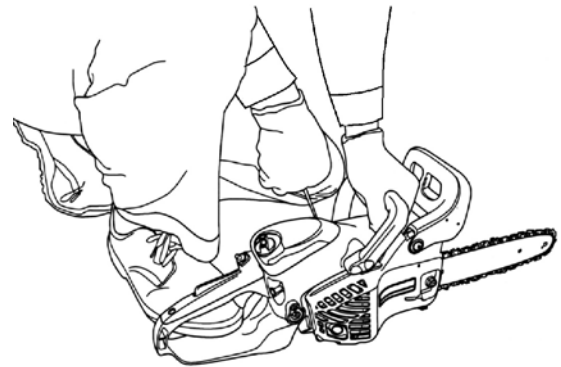
3. Push the primer pump until fuel enters into the primer pump (5 - 6 times).



4. Pull the choke knob to the extended position.  
This makes the choke valve closed and sets the throttle trigger to the start position .



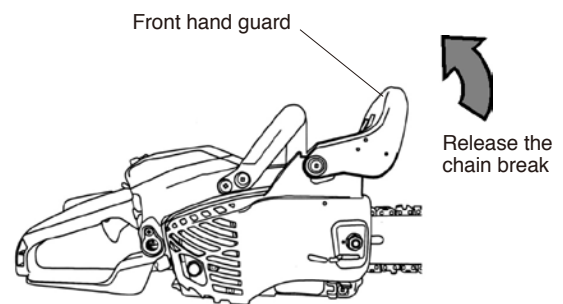
5. Place the chainsaw on the ground and hold the front handle firmly with your left hand. Kneel with your right knee on the frame and pull the starter grip with your right hand.



6. If the engine stalls after the first firing, push the chock knob back in and pull the starter grip again.

7. After the engine is started, immediately squeeze and release the throttle trigger to allow it to return to the idle position.

8. After the engine starts, pull the hand guard toward the handle to disengage the chain brake.  
Do not increase engine speed with the chain brake engaged.  
This may cause excessive heat to covers or damage to the clutch.



9. If the engine stalls at low speed, refer to "CARBURETTOR ADJUSTMENT" in Regular maintenance.

## **HOT RESTART**

To start the engine that is already warmed up (hot restart), or if the ambient temperature exceeds 20°C:

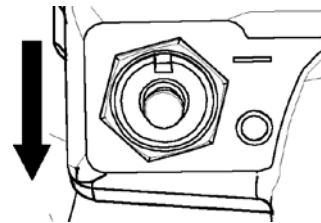
1. Turn on the ignition switch, which is located on the front part of the rear handle, to the Start position.
2. Push the primer pump until fuel enters into the primer pump (5 - 6 times).  
Pushing the primer pump is not needed to restart warm engine with enough fuel in tank.
3. Pull the starter grip.
4. If the engine fails to start after three to four pulls, follow the instructions in the Cold Starting Procedure section above.

If the engine fails to start after you follow the above procedures, contact an authorized MARUYAMA dealer.

- NOTE:**
1. Don't pull the starter cord out completely.
  2. Don't release the starter cord from the fully extended position.

## **TO STOP THE ENGINE**

1. Release the throttle trigger.
2. Turn off the stop switch to the stop position ("○").

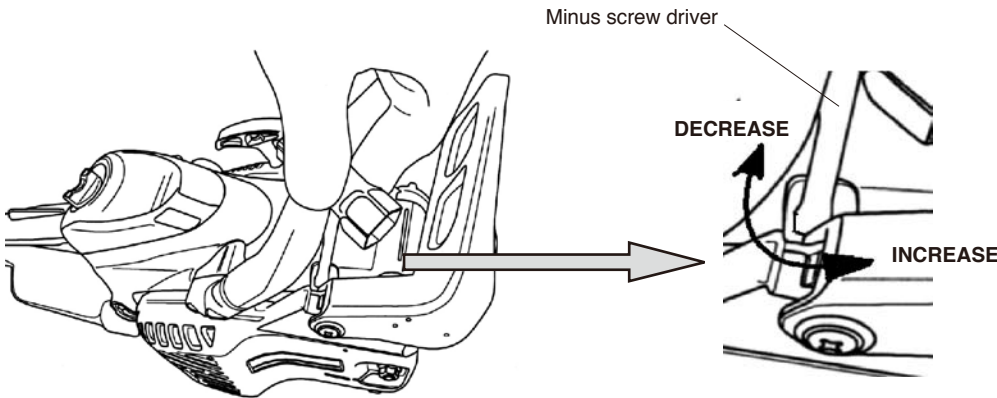


**NOTE:** In the case that engine does not stop at "○" position, pull the "CHOKE KNOB" to stop engine. Pay attention to the chain that starts to turn by pulling "CHOKE KNOB" during engine runs. Please check your chainsaw at authorized service dealer immediately.

# OILER ADJUSTMENT

## CHAIN LUBRICATION TEST

1. Hold the chain just above a dry surface
2. Open the throttle to half
3. Oil should be seen on the surface.

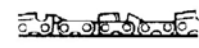
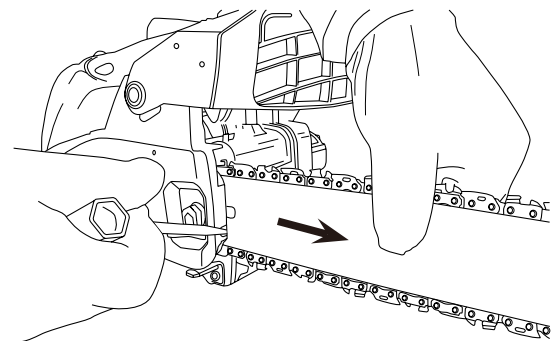
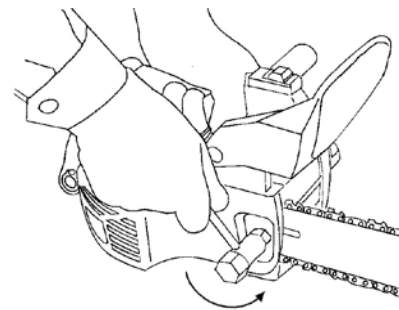


To increase the delivery volume, turn adjusting screw anticlockwise.

# CHAIN ADJUSTMENT

If your Chain Saw has the e-just chain tensioning mechanism, refer to **CHAIN ADJUSTMENT FOR e-JUST**.

1. Make sure the chain brake is released.
2. Loosen the nut counterclockwise using the supplied box spanner, then tighten the nut only finger tight.
3. Turn the tension adjusting screw clockwise to increase tension.
4. While still holding the bar nose up, tighten down the nut firmly with using the supplied box spanner.  
[Tightening torque]  
1500 ~ 2000 N·cm (153 ~ 204kgf·cm)  
**When tightening with the supplied box spanner, hold the handle of the supplied box spanner and securely tighten the nut.**
5. Tension is correct when the chain fits snugly against the bar and can still be pulled along the bar by hand. If necessary, loosen the guide bar retaining nuts and readjust it.



Guide bar  
The chain fits snugly





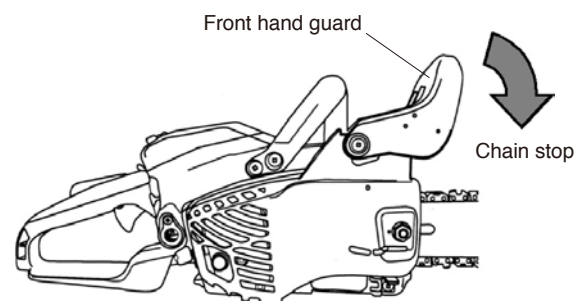
# CHAIN BRAKE

## CAUTION

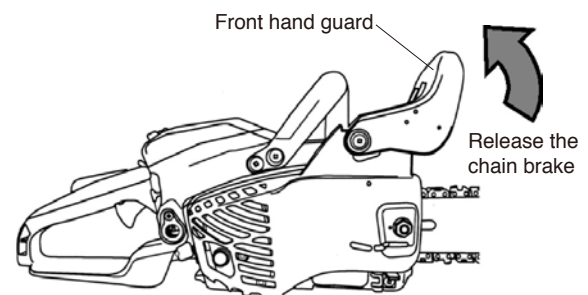
- Check operation of chain brake before starting chainsaw. If the chain brake does not function properly, take the saw to your local Service Center.
- If the brake is tripped by kick back reaction, the chain will stop. Immediately release the throttle to avoid possible damage to the engine or clutch. Do not attempt to operate the engine with the brake engaged.

- Chain brake is the device to stop the rotation of the chain if activated in a kickback situation.

- When the front guard is pushed forward, chain brake instantly works to stop the chain.



- When the front guard is fully pulled toward the handle, brake is released.

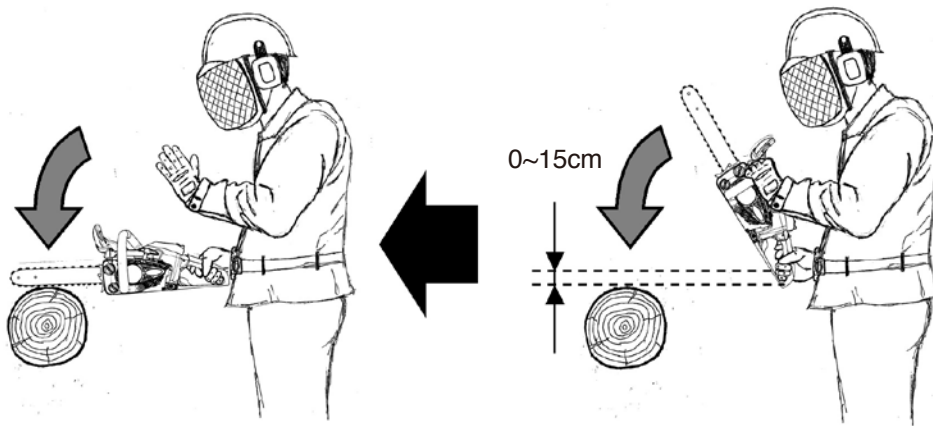


## CHECKING THE BRAKE FUNCTION OF THE BRAKE

1. Place the chain saw on the ground.
2. Hold the handle with both hands and accelerate the engine to high speed by using the throttle trigger.
3. Operate the chain brake by turning your left wrist against the front hand guard whilst gripping the front handle.
4. The chain stop immediately.
5. Release the throttle trigger.
6. If the chain brake does not function properly, take the saw to your local Service Center.

## **CHECKING THE NON-MANUAL CHAIN BRAKE**

1. Stop the engine of the chain saw.
2. Operate the front and rear handles with hands, so that the chain saw may be placed at the height of about 0 ~15cm as shown in Fig.
3. Softly detach the left hand from the front handle, and touch the end of the guide bar against the log or the like placed below so that the machine receives an impact.  
Do not let your hand off from the rear handle.
4. The brake should activate when the guide bar hits the log.
5. If the chain brake does not function properly, take the saw to your local Service Center.



# CUTTING INSTRUCTION

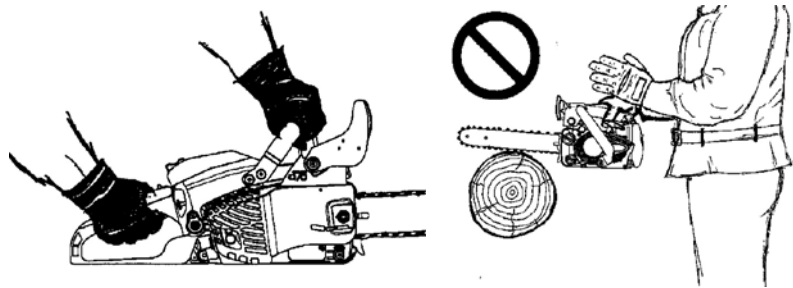
## ⚠ CAUTION

- Read the Safety instructions beginning on page 13 concerning proper use of the Chain saw.
- Always wear gloves and protective clothing when operating the Chain saw.
- Felling a tree requires knowledge and experience, especially in a case of felling a large diameter tree or cutting on steep slopes or unstable ground. Please seek the advice of a real expert before attempting to fell a tree.
- Before attempting to fell a tree, cut some small logs or limbs to practice of the Chain saw operations.
- Apply only light pressure while running the engine at full throttle constantly.
- If the chain is properly sharpened, the cutting should be relatively effortless. Replace the chain or sharpen it.
- If the saw pinches during cutting operation, stop the engine and insert a wedge to remove it.
- Do not let any person use your saw unless he has read this manual and fully understands its instruction.
- Use chain saw only to cut wood or wood products.

## HOLDING THE SAW

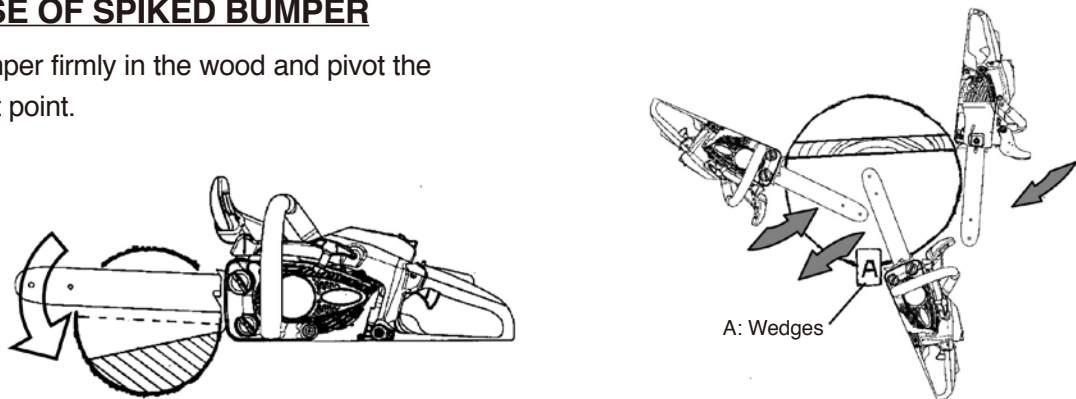
With both hands, keep a good, firm grip on the saw.

The right hand should be on the rear handle, and the left hand on the front handle.



## APPROPRIATE USE OF SPIKED BUMPER

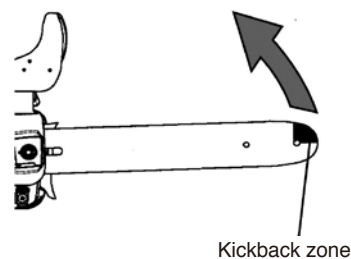
Engage the spiked bumper firmly in the wood and pivot the saw around this contact point.



## KICKBACK SAFETY PRECAUTION

### **KICKBACK PHENOMENON:**

If the upper quadrant of the tip of the bar touches any object, the reaction of the chain may drive the saw rapidly straight back toward the operator. Do not cut limbs with the nose of the guide bar.



## DANGER

### POTENTIAL HAZARD

- Kickback may occur when the nose or tip of the guide bar touches an object.

### WHAT CAN HAPPEN

- If the upper quadrant of the tip of the bar touches any object, the reaction of the chain may drive the saw rapidly straight back toward the operator

### HOW TO AVOID THE HAZARD

- Hold the chainsaw firmly with both hands.
- Begin cutting and continue at full throttle.
- Do not cut limbs with the nose of the guide bar.
- Do not overreach.
- Cut only one log at a time.
- Do not cut above chest height.  
It is difficult to maintain control of saw above chest height.
- Use extreme caution when reentering a previous cut.
- Cut with a correctly sharpened, properly tensioned chain at all times.
- Depth gauges are critical to safe chain operation.
- Use appropriate low kickback type of saw chain.

**WARNING** It is important to file the saw chain to the correct depth and angle. Improper lowering or sharpening of the depth gauges may increase the risk of kickback injury.

**PULL-IN:** Pull-in occurs when the chain on the bottom of the bar is suddenly stopped when it is pinched or caught in the wood.

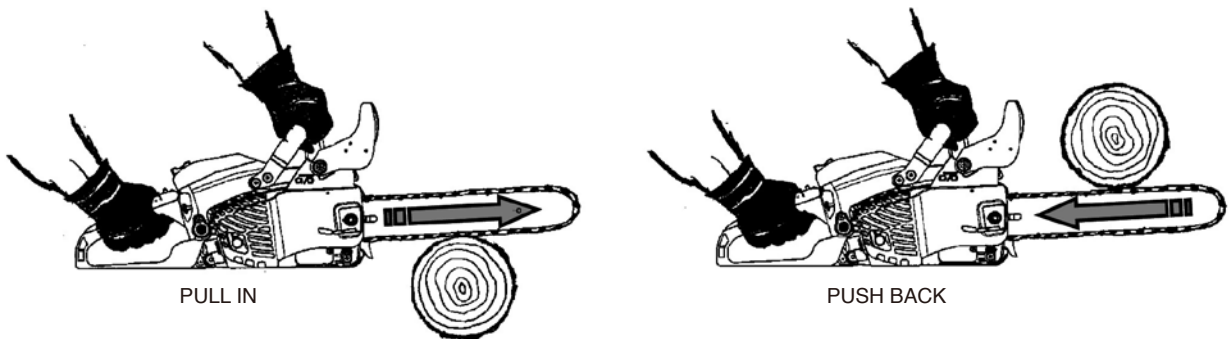
The reaction of the chain pulls the saw forward.

Always cut with the spiked bumper in contact with the wood.

**PUSH BACK:** Pushback occurs when the chain on the top of the bar is suddenly stopped when it is pinched or caught in the wood.

The reaction of the chain drives the saw straight back toward the operator.

Watch the cut and the log for any movement that may pinch the chain.



**Bouncing:** Bouncing occurs when the saw chain contact with wood.

The reaction of the saw is bouncing on the wood.

Hold the chain saw firmly with both hands, Apply only light pressure while running the engine at full throttle constantly.

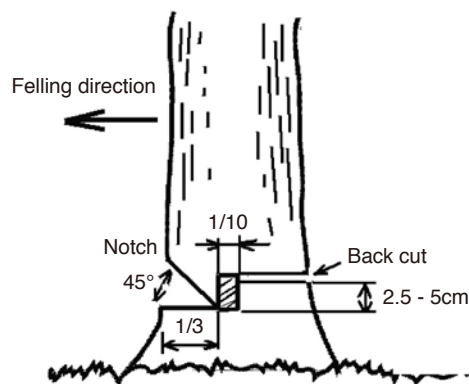
## FELLING A TREE

### ⚠ DANGER

- There are a number of factors that may affect the intended direction of fall and be alert for a change in direction while the tree is falling.

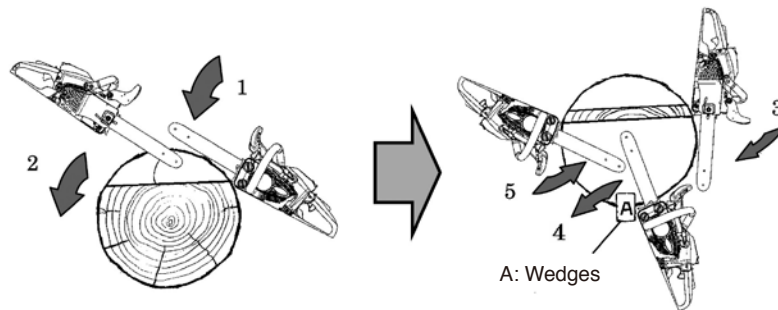
### ⚠ CAUTION

- If the saw begins to pinch during the backcut operation, insert a wedge to open the cut and remove it.
- Before felling a tree, consider carefully all conditions, including lean of tree, sloping ground, wind, wood structure which may affect the direction of fall.
  - Before cutting, clear the area around the tree. You will need good footing while working and select a path of retreat.
1. Cut a notch on the side to which the tree is to fall.
    - Cut to a depth of  $\frac{1}{3}$  of the trunk diameter.
    - Remove resulting 45-degree piece.
  2. Cut horizontally on the side opposite the notch and at level about 5cm above the bottom of the notch. (Backcut)
    - The remaining wood between the notch and backcut
    - Will act as a hinge when the tree falls, guiding it in the desired direction.
  3. When the tree starts to fall, kill the engine, place the saw on the ground and make your retreat quickly



## FELL BIG TREE

- To fell big trees with a diameter exceeding twice the bar length, start the notching cuts from one side and draw the saw through to the other side of the notch.
- Start the back cut on one side of the tree with the spiked bumper engaged, pivoting the saw through to from the desired hinge on that side.
- Then remove the saw for the second cut.
- Insert the saw in the first cut very carefully so as not to cause kickback.
- The final cut is made by drawing the saw forward in the cut to reach the hinge.

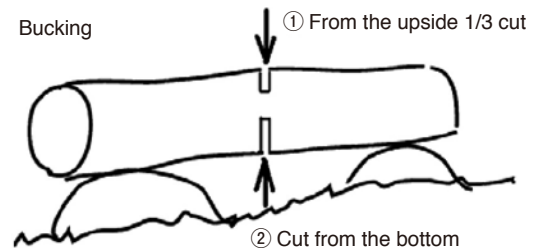
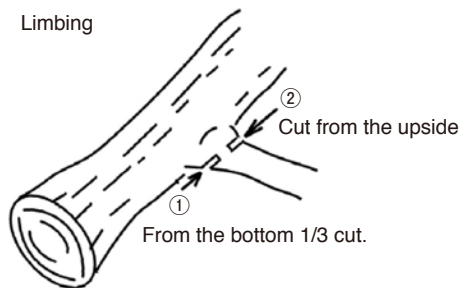


## LIMBING AND BUCKING

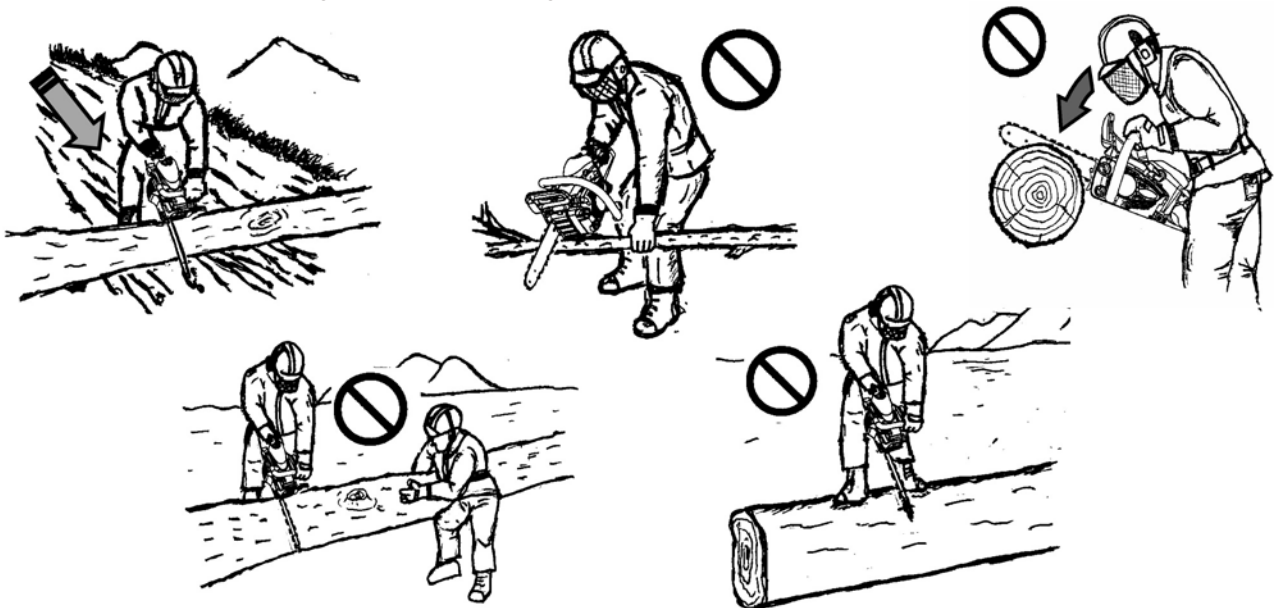
### ⚠ CAUTION

- Don't saw above chest height.
- Always use both hands.
- Stay on the uphill side of logs.
- Don't let anyone hold wood for you to cut.
- Saw wrongly held too close to operator's body.
- Cutting while on a ladder is extremely dangerous because the ladder can slip and your control of the chain saw is limited.
- Never operate chain saw without rope-harness on climbing a tree.

**⚠ WARNING** Do not put pressure on the saw when reaching the end of a cut. The pressure may cause the bar and rotating chain to pop out of the cut or kerf, go out of control and strike the operator or some other object. If the rotating chain strikes some other object, a reactive force may cause the moving chain to strike the operator.



- To make sure ground safety, doing work.
- When limbing, cut using a porting of the root of the guide bar. If the tip of the guide bar touches wood, the guide bar kicks back in an instant.
- Bucking is the sawing of a log or fallen tree into smaller pieces.
- When you cut, wood cutting order considering to open cut.



# SAW CHAIN MAINTENANCE

Following is a list of recommended cutting equipment for the Maruyama chain saw models MCV31R.

The combinations of power equipment, guide bar and saw chain have been tested and found to be in accordance with the kickback and vibration requirements of ANSI B175.1–2000.

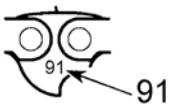
The guide bar nose radius is determined by either the maximum number of teeth in the nose sprocket or the corresponding maximum nose radius of a solid bar.

The following list is Maruyama’s recommendations. There may be other combinations available, which will also achieve kickback reduction.

As we are listing the maximum guide bar nose radius, you may use a guide bar with smaller nose radius than in our list. For guide bars of the same length, all sprocket-nose guide bars of the same pitch and having the same number of sprocket teeth may be considered to have equivalent kickback energy.

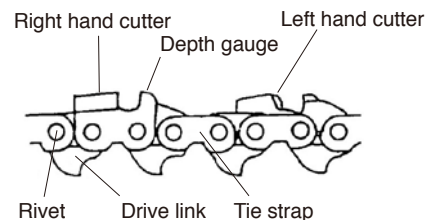
When replacing the saw chain, identify the type of chain with the drive links mark.

**The following combinations may be used on MCV31R.**

LOW-KICKBAKCK SAW CHAIN					
Type of chain	Chain P/N	Drive link number	Pitch	Gauge	Drive link mark
Oregon 91PX	91PX045E 91PX052E	45 (12 inch bar) 52 (14 inch bar)	3/8 inch (9.53mm)	0.050 inch (1.27mm)	

LOW-KICKBAKCK GUIDE BAR					
Type of bar	Bar P/N	Length	Pitch	Thickness of drive links	Max. number of teeth in the nose sprocket
Oregon Double Guard	120SDEA041 140SDEA041	12 inch 14 inch	3/8 inch (9.53mm)	0.050 inch (1.27mm)	7

Round file	φ4.0mm(5/32inch)
------------	------------------



**Low-kickback saw chain is chain that has met the kickback performance requirements of ANSI B 175.1 - 2000(current revision of standard) (American National Standard for Power Tools-Gasoline-Powered Chain Saws-Safety Requirements) when tested on the representative sample of chain saws below 3.8 c.i.d. specified in ANSI B 175.1- 2000(current revision of standard).**



## SHARPENING

### ⚠ WARNING

- Switch off the engine before sharpening the saw chain.
- Always wear gloves when working on saw chain.
- It is important to file the saw chain to the correct depth and angle. Improper lowering or sharpening of the depth gauges may increase the risk of kickback injury.

### Sharpening

The saw chain should be sharpened once a day.

1. Lock the chain.
2. The saw chain have alternative left and right hand cutters. Always sharpen from the inside out.
3. Keep the file to the angle lines of the top plate angle.
4. Hold the file horizontally.

### Depth gauge adjustment

The depth control determines the thickness of wood chip produced and must be maintained correctly throughout the chain life.

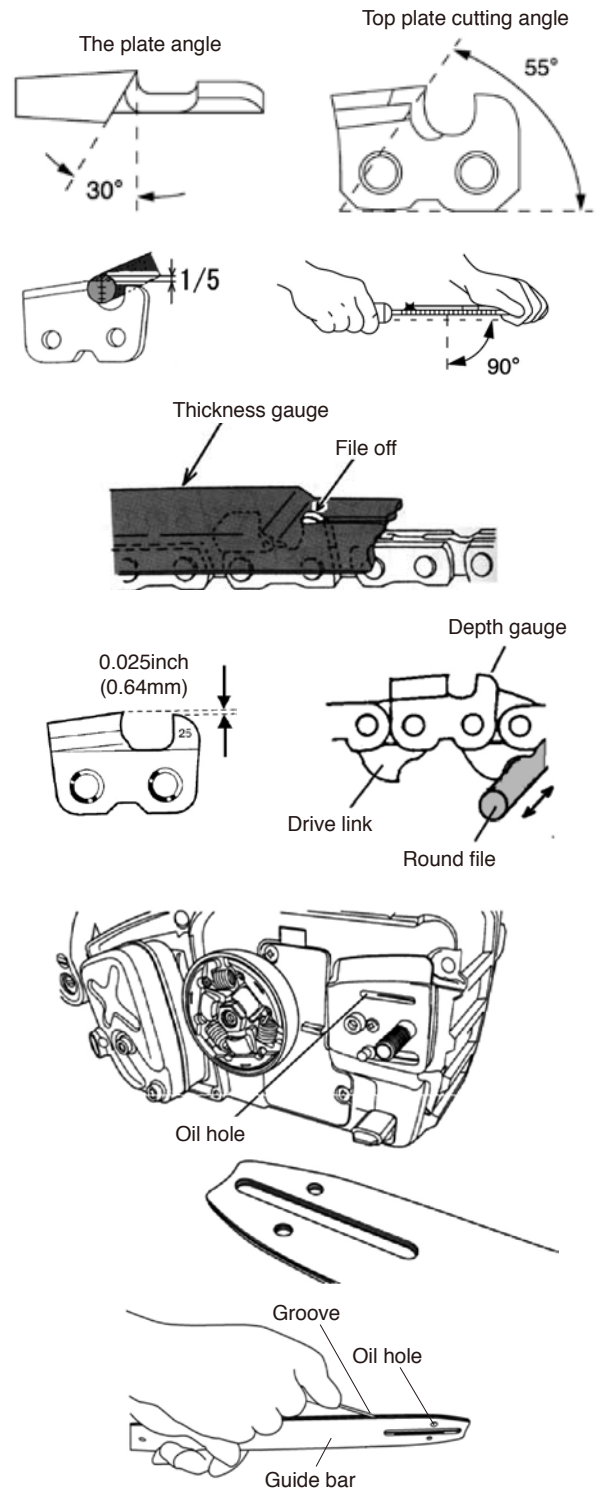
As the cutter length is reduced, the depth control height is altered and must be reduced.

1. Position the depth gauge, and file off any of the depth control which protrudes.
2. Round off the front of the depth control to allow smooth cutting.
3. Keep the Lower edge of the drive link sharp. (Drive link serves to remove sawdust from the groove of the guide bar.)

### GUIDE BAR

- Clean before using  
Clean the groove of the guide bar with a small screw driver or a wire.  
Clean oil holes with a wire.
- Reverse guide bar periodically.
- Check sprocket and the clutch.
- Clean the bar mount area before installation of the guide bar.

**NOTE: Use appropriate low kickback type of saw chain. When replacing guide bar or saw chain, ask any local authorized MARUYAMA dealer.**



# REGULAR MAINTENANCE

Maintenance, replacement or repair of emission control devices and systems may be performed by any repair establishment or individual; however, warranty repairs must be performed by a dealer or service center authorized by Maruyama Manufacturing Company, Inc. The use of parts that are not equivalent in performance and durability to authorized parts may impair the effectiveness of the emission control system and may have a bearing on the outcome of a warranty claim.

## WARNING

- Switch off the engine before sharpening the saw chain.
- Always wear gloves when working on saw chain.
- When replacing guide bar or saw chain, Use appropriate low kickback type.
- Never modify a chain saw in any way. Although certain unauthorized attachments are useable with the chain saw, their use may, in fact, be extremely dangerous.

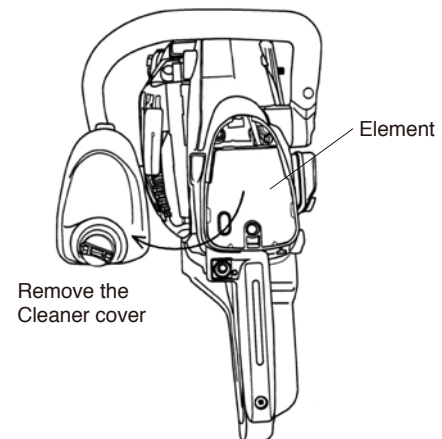
## AIR FILTER

### Maintenance Interval

- The air filter should be cleaned **daily**, or more often when working in extremely dusty conditions.
- Replace after every **100 hours** of operation.

### Air Filter Cleaning

1. Remove the Cleaner cover from the chain saw.
2. Remove the element from the Cleaner cover.
3. Brush off dust on the element or blow off dust with compressed air.
4. Reassemble the element and Cleaner cover.

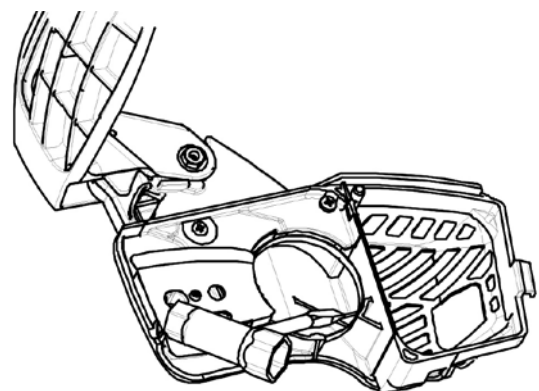


## CHAIN CASE

### Maintenance Interval

- The chain case should be cleaned daily, or more often when working in extremely dusty conditions.
- When chain brake does not function properly, should be cleaned.
- Clean the bar mount area before mounting of the chain case.

**IMPORTANT:** After clean, if the chain brake does not function properly, take the saw to your local Service Center.



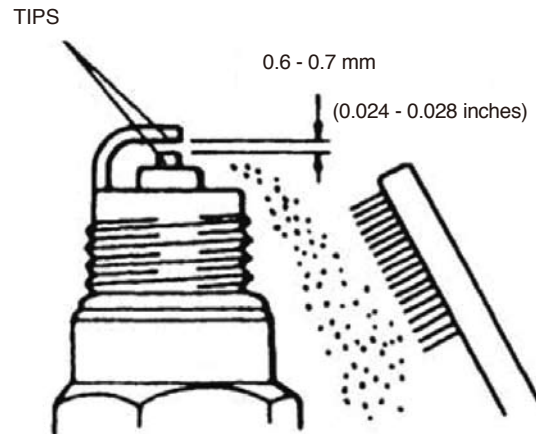
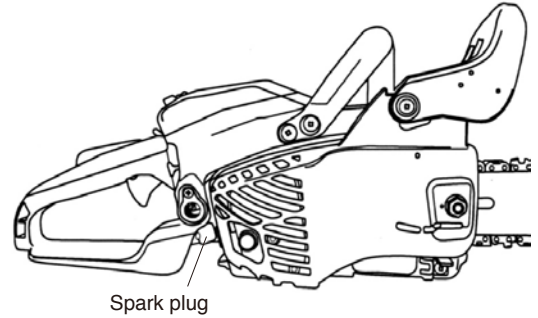
## **SPARK PLUG**

### **Maintenance Interval**

- The spark plug should be removed from the engine and checked after each **25 hours** of operation.
- Replace the spark plug after every **100 hours** of operation.

### **Spark Plug Maintenance**

1. With the engine at ambient (room) temperature, twists the high tension lead boot on the spark plug back and forth a couple of times to loosen the boot, and then pull the boot off of the spark plug.
2. Remove the spark plug.
3. Clean the electrodes with a stiff brush.
4. Adjust the electrode air gap to 0.6-0.7 mm (0.024-0.028 in).
5. Replace the spark plug if it is oil-fouled, damaged, or if the electrodes are worn down.
6. Do not over tighten the spark plug when installing. The tightening torque is 10.7-16.6 N·m (95-148 in. lbs).



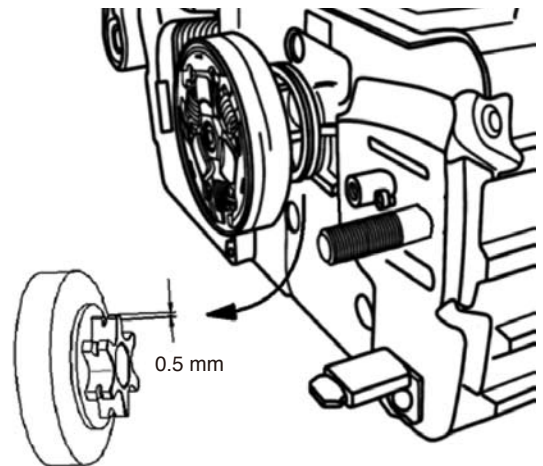
## **SPROCKET**

### **Maintenance Interval**

- The sprocket should be cleaned and inspected for damage after each **25 hours** of operation, or when you install new chain.

### **SPROCKET CLEANING AND INSPECTED**

- The clutch should be cleaned and inspected for damage.
- The damaged sprocket will premature damage or wear of saw chain.
- When the sprocket has worn out 0.5mm or more, replace it.



SPROCKET	PITCH	TEETH
	3/8	6

## **FUEL FILTER**

### **Maintenance Interval**

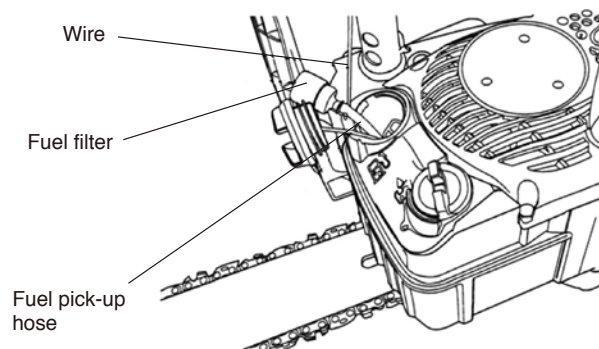
- The fuel filter should be cleaned and inspected for damage after each **25 hours** of operation.
- The fuel filter should be replaced after every **100 hours** of operation.

### **Fuel Filter Replacement**

The fuel filter is attached to the end of the fuel pick-up hose inside the fuel tank.

#### **To replace the fuel filter:**

1. Make sure the fuel tank is empty.
2. Remove the fuel cap.
3. Using a wire hook, gently pull the fuel filter out through the fuel filler opening.
4. Grasp the fuel hose next to the fuel filter fitting and remove the filter, but do not release the hose.
5. While still holding on to the fuel hose, attach the new fuel filter.
6. Drop the new fuel filter back into the guide bar side of the fuel tank.
7. Make sure that the fuel filter is not stuck in a corner of the tank, and that the fuel hose is not doubled over (kinked) before refueling.



## **OIL FILTER**

### **Maintenance Interval**

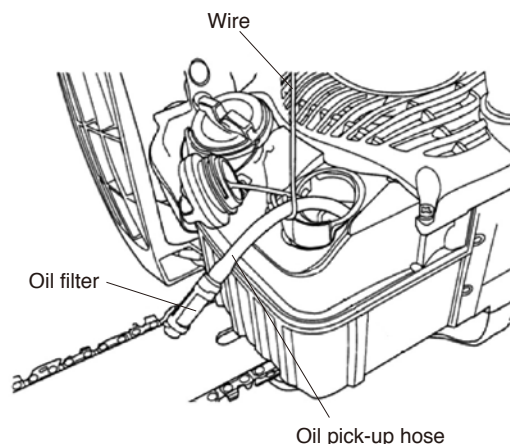
- The oil filter should be cleaned and inspected for damage after each **25 hours** of operation.

### **Oil Filter Cleaning**

The oil filter is attached to the end of the oil pick-up hose inside the oil tank.

#### **To clean the oil filter:**

1. Make sure the oil tank is empty.
2. Remove the oil cap.
3. Using a wire hook, gently pull the oil filter out through the oil filler opening.
4. Grasp the oil hose next to the oil filter fitting and clean the oil filter.
5. Drop the oil filter back into the guide bar side of the oil tank.
6. Make sure that the oil filter is not stuck in a corner of the tank, and that the oil hose is not doubled over (kinked) before refueling.



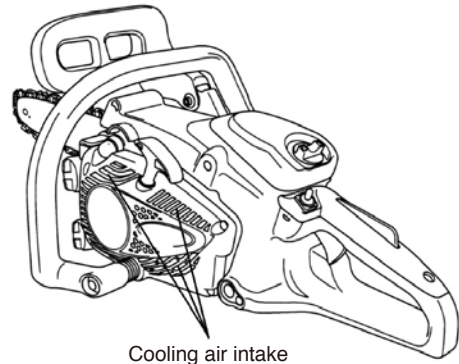
## **ENGINE COOLING**

### **Maintenance Interval**

- The engine cooling should be cleaned after every **25 hours** of operation, or once a week, whichever comes first.
- Air must flow freely around and through the cylinder cooling fins to prevent engine overheating. Leaves, grass, dirt and debris buildup on the fins will increase the operating temperature of the engine, which can reduce engine performance and shorten engine life.

### **Cooling Fin Cleaning**

Clean all dirt and debris from around the cooling air intake.



## **MUFFLER (SILENCER)**

### **Maintenance Interval**

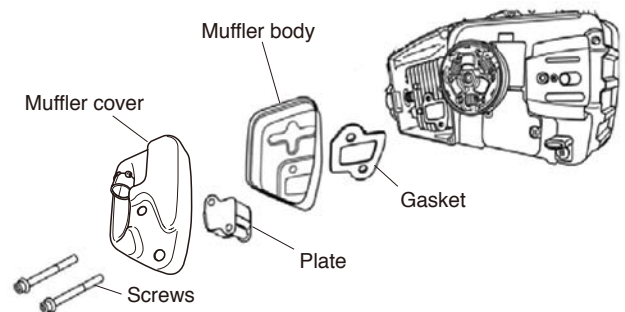
The muffler should be inspected and cleaned after each **100 hours** of use.

## **⚠ CAUTION**

- **Be careful not to allow any dirt or debris to fall into the exhaust port, as this can cause engine damage.**

### **Muffler Maintenance**

1. With the engine at ambient (room) temperature, loosen the nut and remove the chain case.
2. Remove the two screws, and remove the Muffler.
3. Clean the muffler with a stiff brush.
4. Reinstall the muffler, then reinstall and tighten the two screws.
5. Reinstall the Chain case.



## **SPARK ARRESTER**

### **⚠ WARNING**

#### **POTENTIAL HAZARD**

- Muffler surface becomes hot when Chain Saw is in operation and remains hot for some time after the engine is shut off.

#### **WHAT CAN HAPPEN**

- Contact with hot muffler surface could cause a burn.

#### **HOW TO AVOID THE HAZARD**

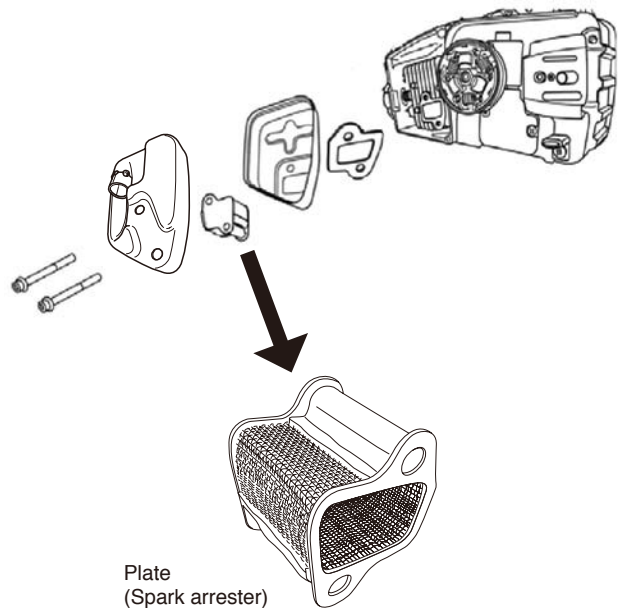
- Make sure the muffler is cool before inspecting and cleaning the spark arrester.

#### **Maintenance Interval**

- The spark arrester should be inspected and cleaned after every **25 hours** of use.
- Replace the screen if it cannot be thoroughly cleaned, or if it is damaged.

#### **Spark Arrester Maintenance**

1. With the engine at ambient (room) temperature.
2. Remove the two screws retaining the muffler.
3. Remove and clean the tail, gasket and spark arrester with a safety solvent and a stiff brush. If any part cannot be thoroughly cleaned, it must be replaced.
4. Reinstall the spark arrester and muffler, then reinstall and tighten the two screws.



## **GENERAL CLEANING AND TIGHTENING**

### **⚠ WARNING**

#### **POTENTIAL HAZARD**

- When engine is running, attached tool and other parts are moving.

#### **WHAT CAN HAPPEN**

- Contact with moving tool or other moving parts could cause serious personal injury or death.

#### **HOW TO AVOID THE HAZARD**

- Always turn off your Chain saw before you clean or perform any maintenance on it.

The Maruyama Chain saw will provide maximum performance for many, many hours if it is maintained properly. Good maintenance includes regular checking of all fasteners for correct tightness, and cleaning the entire machine.



# CARBURETTOR ADJUSTMENT

## ⚠ WARNING

### POTENTIAL HAZARD

- Engine must be running to make carburetor adjustments.
- When engine is running, saw chain are moving.

### WHAT CAN HAPPEN

- Contact with moving parts could cause serious personal injury or death.

### HOW TO AVOID THE HAZARD

- Keep hands, feet and clothing away from moving parts.
- Keep all bystanders and pets away from unit while making carburetor adjustments.

- ⚠ WARNING**
- Idle speed adjustment should be checked each time the unit is operated.
  - Wear the recommended personal protective equipment and observe all safety instructions.

## Engine Idle Speed:

To adjust the engine idle speed, rotate the idle speed adjuster screw on the carburetor.

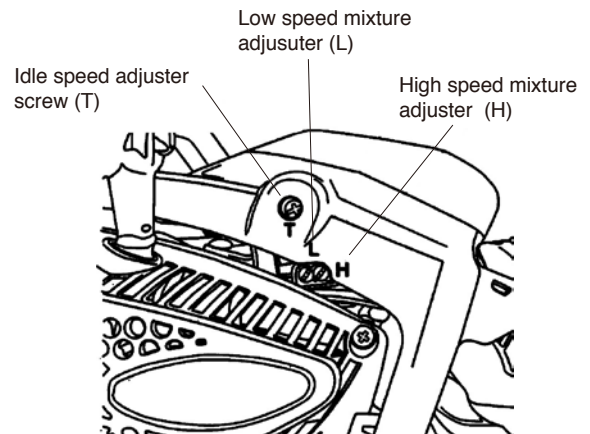
- Turn the idle speed adjuster screw in (clockwise) to increase the engine idle speed.
- Turn the idle speed adjuster screw out (counterclockwise) to decrease the engine idle speed.

## Fuel mixtures adjust:

Do not adjust the carburetor unless necessary.

To adjust the carburetor proceed as follows

1. Turn the low speed mixture adjuster (L) and high speed mixture adjuster (H) anticlockwise to stop.
2. Start engine and allow it to run at idle until warm.
3. Turn idle speed adjuster screw (T) anticlockwise until the saw chain stops moving.
4. Accelerate to full throttle to check for smooth transition from idle to full throttle.
5. Turn the low speed mixture adjuster (L) and high speed mixture adjuster (H) clockwise to adjust for smooth transition from idle to full throttle.



## ⚠ CAUTION

- When starting, idle speed adjuster (T) should be adjusted not to rotate the saw chain.
- If idle speed adjustment is necessary, and after adjustment the engine stalls, stop using the Chain saw immediately!
- Contact your local authorized Maruyama Dealer for assistance and servicing.

# STORAGE

## WARNING

### POTENTIAL HAZARD

- Gasoline contains gasses that can build up pressure inside a fuel tank.

### WHAT CAN HAPPEN

- fuel can be sprayed on you when removing fuel tank cap.

### HOW TO AVOID THE HAZARD

- Remove fuel tank cap slowly to avoid injury from fuel spray.

## WARNING

### POTENTIAL HAZARD

- Saw chain is sharp.

### WHAT CAN HAPPEN

- Contact with the saw Chain can cause personal injury.

### HOW TO AVOID THE HAZARD

- Wear gloves when you handle the saw chain.

## CAUTION

### POTENTIAL HAZARD

- Oil may squirt out of the spark plug opening when you pull the starter grip.

### WHAT CAN HAPPEN

- Oil can cause eye injuries.

### HOW TO AVOID THE HAZARD

- Protect your eyes and keep your face away from the spark plug opening.

### For long term storage of the chain saw :

1. Empty the fuel tank into a suitable fuel storage container approved for gasoline.
2. Pump the primer bulb on the carburetor until all fuel is discharged through the clear Primer pump.
3. Run the engine to remove any fuel that may remain in the carburetor.
4. Perform all regular maintenance procedures and any needed repairs.
5. Remove the spark plug and squirt a very small amount of oil into the cylinder.
6. Pull the starter grip once.
7. Slowly pull the starter grip to bring the piston to the top of the cylinder (TDC).
8. Reinstall the spark plug.
9. Store the Chain saw in a dry place away from excessive heat, sparks or open flame.
10. Always use a guide bar cover when carrying or storage a chain saw.



# TROUBLESHOOTING

Problema	Cause	Action
Engine Will Not Start	<ul style="list-style-type: none"> <li>• STOP switch to off position</li> <li>• Electrical problem</li> <li>• Empty fuel tank</li> <li>• Primer bulb wasn't pushed enough</li>   <li>• Fuel filter clogged</li> <li>• Fuel line clogged</li> <li>• Carburetor</li> <li>• Engine flooded</li> </ul>	<ul style="list-style-type: none"> <li>• Move switch to on position</li> <li>• Ask your MARUYAMA dealer</li> <li>• Fill fuel tank</li> <li>• Press primer bulb until fuel flows Through fuel primer bulb</li> <li>• Clean or replace</li> <li>• Clean</li> <li>• Ask your MARUYAMA dealer</li> <li>• Use warm engine starting procedure</li> </ul>
Engine lacks Power or Dropped down	<ul style="list-style-type: none"> <li>• Dirty air filter</li> <li>• Fuel filter clogged</li> <li>• Fuel mixture is too rich</li>   <li>• Clogged exhaust port</li> <li>• Spark plug</li> <li>• Cooling system plugged</li> </ul>	<ul style="list-style-type: none"> <li>• Clean or replace air filter</li> <li>• Clean or replace</li> <li>• Open choke, adjust carburetor, ask your MARUYAMA dealer</li> <li>• Clean exhaust port</li> <li>• Clean and adjust or replace</li> <li>• Clean</li> </ul>

**If further assistance is required, contact your local authorized Maruyama service dealer.**

# MAINTENANCE PERIOD

	Maintenance	Before use	Daily	Every	Every	Every
				25 hours	50 hours	100 hours
	Check and replenish fuel	<input type="radio"/>				
	Check for fuel leakage	<input type="radio"/>				
■	Check and clean fuel filter			<input type="radio"/>		
	Check and replenish oil	<input type="radio"/>				
■	Check and clean oil filter			<input type="radio"/>		
	Check bolts, nuts and screws for tightness or missing	<input type="radio"/>				
	Tighten bolts and nuts	<input type="radio"/>				
	Check engine idle speed adjustment	<input type="radio"/>				
■	Clean air filter element		<input type="radio"/>			
■	Remove dust and dirt for cooling air intake		<input type="radio"/>			
	Clean spark plug and adjust electrode gap			<input type="radio"/>		
●	Remove carbon deposits in exhaust port					<input type="radio"/>
●	Remove carbon deposits on piston head and combustion chamber					<input type="radio"/>
●	Remove carbon deposits in transfer ports					<input type="radio"/>
●	Clean spark arrester			<input type="radio"/>		
	Replace fuel filter					<input type="radio"/>
	Check chain brake	<input type="radio"/>				
	Check sprocket			<input type="radio"/>		
	Check and clean Guide bar	<input type="radio"/>				
	Check antivibration device ( rubber, spring )	<input type="radio"/>				
	Check chain catcher	<input type="radio"/>				
	Sharpening saw chain		<input type="radio"/>			
	Replace fuel tube, fuel tank cap gasket	It is recommended to replace every 3 years				

● :Service to be performed by an authorized Maruyama engine dealer.

■ :Service more frequently under dusty conditions.

## NOTE:

The service intervals indicated are to be used as a guide.

Service to be performed more frequently as necessary depending on operating condition.

Use Maruyama standard 50:1 two-cycle engine oil.



## Declaración de garantía limitada

Se garantiza al comprador inicial que todos los productos comerciales e industriales de Maruyama están libres de defectos de fabricación y en materiales **a partir de la fecha de compra** durante el período de tiempo siguiente:

**Durante toda la vida** para el eje motor interno de las bordeadoras y desbrozadoras y para todos los módulos de encendido.

**3 años** para uso residencial, doméstico, no retribuido.

**1 año** para uso industrial, comercial, público, de alquiler y retribuido.

Los motores Maruyama de la serie AE y Kawasaki TEX45/TEX54 están cubiertos exclusivamente durante un año más para el uso industrial, comercial, público, de alquiler y retribuido (un total de 2 años). Para todos los demás motores, consulte la declaración de garantía del fabricante del motor.

Cualquier pieza de un producto Maruyama que resulte ser defectuosa dentro del período de garantía aplicable será reparada o sustituida sin coste alguno, a elección de Maruyama. La valoración de la garantía se consigue entregando cualquier producto Maruyama que se crea defectuoso al Servicio técnico de un distribuidor autorizado de Maruyama dentro del período de garantía aplicable.

No se cobrará al comprador por la tarea de diagnóstico que determine que una pieza en garantía es defectuosa, si se realiza en un centro de distribución de Maruyama.

Cualquier pieza en garantía cuyo cambio no esté programado como mantenimiento necesario, o que esté programada sólo para revisión ordinaria con vistas a su "reparación o cambio según sea necesario" estará cubierta durante el período de garantía. Cualquier pieza en garantía, cuyo cambio esté programado dentro del mantenimiento necesario, estará cubierta hasta el primer cambio programado que le corresponda.

Maruyama Mfg. Co., Inc. es responsable de los daños ocasionados a otros componentes del motor por el fallo de una pieza que aún esté en garantía.

El comprador es responsable de realizar las tareas de mantenimiento necesarias tal y cómo se definen en el Manual del Propietario u Operador de Maruyama Mfg Co., Inc.

**GARANTÍA DE PIEZAS RELACIONADAS CON LAS EMISIONES** : Además de la cobertura de la garantía mencionada, Maruyama Mfg Co., Inc. reparará o cambiará, gratuitamente, para el comprador inicial y cada comprador posterior, cualquier pieza relacionada con las emisiones con defectos de fabricación y en los materiales durante dos (2) años a partir de la fecha de entrega del minorista inicial. **Las piezas relacionadas con las emisiones como el carburador, la bobina de encendido, el rotor de encendido, la bujía, el convertor catalítico y el depósito de combustible.** Puede utilizarse cualquier pieza de repuesto equivalente en rendimiento y durabilidad en el mantenimiento o reparaciones no cubiertas por la garantía, y no reducirá las obligaciones de Maruyama Mfg. Co., Inc. derivadas de la garantía.

**Esta garantía no cubre:**

1. Elementos de mantenimiento (excluidos los defectos en materiales y fabricación) que incluyen tubos flexibles, bujías, cuerda del arrancador, filtros de aire y de combustible, cables del acelerador y todos los accesorios de la bomba, etc.
2. Gastos adicionales que incluyen el envío y gestión, traslado, pago por el tiempo perdido o por cualquier problema y almacenamiento.
3. Alteraciones o modificaciones que incluyen piezas de repuesto no originales, no homologadas por Maruyama U.S., Inc.
4. Desgaste, accidente, uso indebido, negligencia; combustibles, lubricantes, mezclas de combustible (cuando sea aplicable) incorrectos o el uso o mantenimiento del producto contrarios a las instrucciones aprobadas por Maruyama.

La reparación o cambio según lo estipulado en la presente garantía es la única solución del usuario.

Maruyama no se hará responsable de ningún daño fortuito o consecuencial del incumplimiento de cualquier garantía expresa o implícita de estos productos salvo hasta el límite estipulado por la legislación aplicable.

Cualquier garantía implícita de comerciabilidad o idoneidad para un fin particular de estos productos se restringe al período de garantía tal y cómo se define en la declaración de garantía limitada. Maruyama se reserva el derecho a modificar o mejorar el diseño del producto sin previo aviso y no asume ninguna obligación de actualizar los productos previamente fabricados.

Esta garantía le ofrece derechos legales específicos, que pueden variar de un Estado a otro.

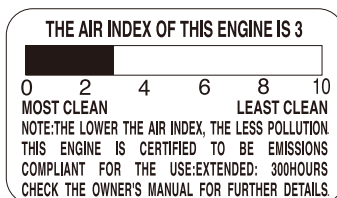
El propietario y el distribuidor se responsabilizarán de que la Tarjeta de registro de garantía sea correctamente cumplimentada y enviada a Maruyama U.S., Inc. Para obtener el servicio de garantía se solicitará una prueba de compra o registro.

Para encontrar al distribuidor autorizado de Maruyama más cercano, contacte con:

**Maruyama U.S., Inc.**  
**4770 Mercantile Drive, suite 100,**  
**Fort Worth, TX 76137 U.S.A.**  
**(940) 383-7400**  
**maruyama@maruyama-us.com**  
**www.maruyama-us.com**

## ⚠ WARNING: ⚠

The engine exhaust from this product contains chemicals known to the State of California to cause cancer, birth defects or other reproductive harm.



MCV31R

## DECLARACIÓN DE GARANTÍA DEL CONTROL FEDERAL DE EMISIONES - SUS DERECHOS Y OBLIGACIONES

La Agencia para la protección ambiental de EE.UU. (EPA), y Maruyama Manufacturing Company, Inc. se complacen en explicar la garantía del sistema de control de emisiones de su pequeño motor no destinado a la automoción. Los nuevos modelos de motor pequeño de 1997 y posteriores, no destinados a la automoción, deben estar diseñados, fabricados y equipados, en el momento de venta, para cumplir las normas de la EPA de EE.UU. El motor debe estar libre de defectos en los materiales y de fabricación que provoquen el incumplimiento de las normas de la EPA durante los dos primeros años de uso del motor a partir de la fecha de venta inicial hasta el último comprador. Maruyama Manufacturing Company, Inc. ha de garantizar el sistema de control de las emisiones en el pequeño motor durante el período anteriormente citado siempre y cuando no haya ningún uso indebido, negligencia o mantenimiento incorrecto del mismo.

### Período de durabilidad de emisiones: 300 horas.

Su sistema de control de emisiones puede incluir piezas como el carburador o el sistema de inyección de combustible, el sistema de encendido y el convertidor catalítico. También puede incluir tubos flexibles, correas y conectores y otros sistemas relacionados con las emisiones.

Cuando exista una condición cubierta por la garantía, Maruyama Manufacturing Company, Inc. reparará gratuitamente el pequeño motor no destinado a la automoción, incluido el diagnóstico (si se realiza en un centro de distribución autorizado), piezas y mano de obra.

### COBERTURA DE LA GARANTÍA DEL FABRICANTE:

Los modelos de motor pequeño de 1997 y posteriores, no destinados a la automoción, están garantizados durante dos años. Si cualquier pieza de su motor relacionada con las emisiones es defectuosa, Maruyama Manufacturing Company, Inc. la reparará o cambiará gratuitamente.

### RESPONSABILIDADES DEL PROPIETARIO DERIVADAS DE LA GARANTÍA:

- (a) Como propietario del motor arriba mencionado, usted es responsable de realizar las tareas de mantenimiento necesarias enumeradas en el Manual del Propietario u Operador.

Maruyama Manufacturing Company, Inc. recomienda conservar todos los recibos del mantenimiento del motor, pero no puede negar la aplicación de la garantía sólo porque usted carezca de recibos o no asegure la ejecución de todas las tareas de mantenimiento programadas. Se permite el uso de cualquier pieza de repuesto o mantenimiento equivalente en prestación y durabilidad en el mantenimiento o reparaciones no cubiertas por la garantía, no reduciendo este hecho las obligaciones del fabricante del motor derivadas de la garantía.

- (b) Como propietario del motor arriba mencionado, debería saber, sin embargo, que Maruyama Manufacturing Company puede negarle la cobertura de la garantía si el motor o la pieza no funcionan por el uso indebido, negligencia, mantenimiento incorrecto o modificaciones no autorizadas.
- (c) Usted es responsable de llevar el motor a un centro de asistencia de Maruyama Manufacturing Company, Inc. tan pronto como exista un problema. Las reparaciones cubiertas por la garantía deberían completarse en un período de tiempo razonable, no superior a 30 días.

Si tiene preguntas relacionadas con los derechos y responsabilidades derivadas de la garantía, contacte con Maruyama U.S., Inc. en el número: **1-866-783-7400**, o **warranty@maruyama-us.com**.

## **COBERTURA**

Maruyama Manufacturing Company, Inc. garantiza al comprador último y a cada comprador posterior que el pequeño motor no destinado a la automoción estará diseñado, fabricado y equipado, en el momento de venta, para cumplir con toda la normativa aplicable. Maruyama Manufacturing Company, Inc. también garantiza al comprador inicial y a cada comprador posterior que el motor está libre de defectos de fabricación y en los materiales, que le impidan cumplir las normas aplicables durante un período de dos años.

La Agencia de protección ambiental (EPA) obliga a los fabricantes de este tipo de motores a cumplir la normativa durante dos años, para los modelos del año 1997 y posteriores. Estos períodos de garantía se iniciarán en la fecha en que el comprador inicial adquiriera el pequeño motor no destinado a la automoción. Si cualquier pieza del motor relacionada con las emisiones es defectuosa, Maruyama Manufacturing Company, Inc. la cambiará gratuitamente.

Maruyama Manufacturing Company, Inc. resolverá los defectos cubiertos por la garantía en cualquier centro de garantía o de distribución de motores de Maruyama Manufacturing Company, Inc. autorizado. Cualquier tarea autorizada realizada en un centro de garantía o de distribución autorizado será gratuita si determina que una pieza en garantía es defectuosa. Para cualquier tarea de mantenimiento o reparación de piezas relacionadas con las emisiones, cubierta por la garantía puede utilizarse cualquier pieza de repuesto homologada por el fabricante o equivalente, y debe realizarse gratuitamente si la pieza aún está en garantía. Maruyama Manufacturing Company, Inc. es responsable de los daños ocasionados a otros componentes del motor por el fallo de una pieza en garantía.

A continuación figuran todas las piezas relacionadas con las emisiones que deben estar garantizadas según la EPA. Piezas garantizadas: **el carburador, la bobina de encendido, el rotor de encendido, la bujía, el convertor catalítico y el depósito de combustible.**

## **MANTENIMIENTO NECESARIO**

El propietario es responsable de realizar las tareas de mantenimiento necesarias tal y cómo se definen en el Manual del Propietario u Operador de Maruyama Manufacturing Company, Inc.

## **LIMITACIONES**

Esta Garantía del sistema de control de emisiones no cubrirá lo siguiente:

- (a) Ninguna reparación o cambio necesarios por el uso indebido o negligencia, falta de mantenimiento requerido, reparaciones incorrectamente realizadas o cambios que no cumplan las especificaciones de Maruyama Manufacturing Company, Inc. que repercutan adversamente en el rendimiento o durabilidad, y alteraciones o modificaciones no recomendadas o aprobadas por escrito por Maruyama Manufacturing Company, Inc., y
- (b) Ningún cambio de piezas y otros servicios y ajustes necesarios para el mantenimiento requerido en y después del primer cambio programado.

# DECLARACIÓN DE GARANTÍA DEL CONTROL DE EMISIONES, DE CALIFORNIA - SUS DERECHOS Y OBLIGACIONES

La Junta de Recursos del Aire de California (CARB), y Maruyama Manufacturing Company, Inc. se complacen en explicar la garantía del sistema de control de emisiones de su pequeño motor, modelo 2013, no destinado a la automoción. En California, los nuevos pequeños motores no destinados a la automoción deben estar diseñados, fabricados y equipados para cumplir con la estricta normativa anti humos del Estado. Maruyama Manufacturing Company, Inc. ha de garantizar el sistema de control de las emisiones en el pequeño motor durante el período anteriormente citado siempre y cuando no haya ningún uso indebido, negligencia o mantenimiento incorrecto del mismo.

Su sistema de control de emisiones puede incluir piezas como el carburador o el sistema de inyección de combustible, el sistema de encendido, el depósito de combustible y el convertor catalítico. También puede incluir tubos flexibles, correas y conectores y otros sistemas relacionados con las emisiones.

Cuando exista una condición cubierta por la garantía, Maruyama Manufacturing Company, Inc. reparará gratuitamente el pequeño motor no destinado a la automoción, incluido el diagnóstico, piezas y mano de obra.

## **COBERTURA DE LA GARANTÍA DEL FABRICANTE:**

Los pequeños motores de 1995 y posteriores, no destinados a la automoción, están garantizados durante dos años. Si cualquier pieza de su motor relacionada con las emisiones es defectuosa, Maruyama Manufacturing Company, Inc. la reparará o cambiará gratuitamente.

## **RESPONSABILIDADES DEL PROPIETARIO DERIVADAS DE LA GARANTÍA:**

- (a) Como propietario del motor arriba mencionado, usted es responsable de realizar las tareas de mantenimiento necesarias enumeradas en el Manual del Propietario u Operador. Maruyama Manufacturing Company, Inc. recomienda conservar todos los recibos del mantenimiento del motor, pero no puede negar la aplicación de la garantía sólo porque usted carezca de recibos o no asegure la ejecución de todas las tareas de mantenimiento programadas.
- (b) Como propietario del motor arriba mencionado, debería saber, sin embargo, que Maruyama Manufacturing Company puede negarle la cobertura de la garantía si el motor o la pieza no funcionan por el uso indebido, negligencia, mantenimiento incorrecto o modificaciones no autorizadas.
- (c) Usted es responsable de llevar el motor a un centro de asistencia de Maruyama Manufacturing Company, Inc. tan pronto como exista un problema. Las reparaciones cubiertas por la garantía deberían completarse en un período de tiempo razonable, no superior a 30 días.

Si tiene preguntas relacionadas con los derechos y responsabilidades derivadas de la garantía, contacte con Maruyama U.S., Inc. en el número: **1-866-783-7400**, o **warranty@maruyama-us.com**.

## **Piezas del sistema de emisiones**

**Emisión de escape**  
**Carburador, Filtro de aire, Filtro de combustible**  
**Silenciador, Convertor catalítico**  
**Bobina de encendido / Magneto, bujía**  
**Válvula EGR (pistón)**

**Emisión de evaporación**  
**Depósito de combustible**



# INDICE

Declaración de garantía limitada..... 1	Primeros pasos ..... 22
Control federal de emisiones ..... 3	Procedimientos de arranque y de parada ..... 25
Control de emisiones de California ..... 5	Ajuste del lubricador ..... 28
Índice ..... 6	Ajuste de la cadena ..... 28
Introducción ..... 6	Freno de la cadena ..... 29
Precauciones de seguridad para usuarios de motosierras ..... 7	Instrucción de corte ..... 31
Especificaciones ..... 9	Mantenimiento de la cadena ..... 35
Descripción del producto ..... 10	Mantenimiento rutinario ..... 37
Símbolos ..... 11	Ajuste del carburador ..... 42
Explicación de los símbolos ..... 12	Almacenamiento ..... 43
Instrucciones de seguridad ..... 13	Solución de problemas ..... 44
Montaje ..... 17	Período de mantenimiento ..... 45
Montaje para e-JUST ..... 20	

## Introducción

Gracias por comprar un producto Maruyama.

Maruyama, sus distribuidores y comerciantes desean que esté completamente satisfecho con su Nuevo producto. Si necesita ayuda con el mantenimiento, piezas originales de Maruyama o más información, no dude en contactar con el servicio técnico del distribuidor autorizado.

Para ponerse en contacto con éste o con la fábrica, tenga siempre a mano el número de serie de su producto. Este número ayudará al distribuidor o al representante de mantenimiento a proporcionarle la información exacta sobre su producto específico. Encontrará el número de serie y modelo en una placa situada en el producto (SÍMBOLOS en página ES-11).

Para su comodidad, escriba el nombre del modelo del producto y el número de serie en el espacio situado a la derecha.

<b>Nombre del modelo</b> _____
<b>Nº de serie</b> _____

Lea este manual atentamente para saber cómo utilizar y conservar su producto correctamente. Su lectura le ayudará a evitar que usted y otras personas se lesionen y dañen la unidad.

A pesar de que Maruyama diseñe, fabrique y comercialice productos seguros de alta tecnología, usted es responsable de usar el producto correctamente y con seguridad. (Usted también es responsable de formar a aquellas personas a quienes permita utilizar la unidad, sobre su funcionamiento seguro).

**⚠ ADVERTENCIA** **Antes de utilizar la motosierra, es esencial leer y entender el contenido de este manual.**  
Si necesita más ayuda, contacte con el distribuidor local autorizado de MARUYAMA.

# PRECAUCIONES DE SEGURIDAD PARA USUARIOS DE MOTOSIERRAS

## PRECAUCIONES DE SEGURIDAD: GOLPE DE RETROCESO

### **⚠️ ADVERTENCIA**

El golpe de retroceso puede ocurrir cuando el extremo o la punta de la espada toca un objeto, o cuando la cadena de la sierra queda aprisionada en el corte de la madera. En algunos casos, este contacto puede ocasionar una vertiginosa reacción de retroceso, haciendo saltar la espada hacia arriba y hacia atrás contra el usuario. Al quedar aprisionada la cadena a lo largo de la parte superior de la espada puede empujar rápidamente la espada hacia atrás contra el usuario. Cualquiera de estas reacciones puede entrañar la pérdida de control de la sierra, lo cual podría ocasionar graves lesiones personales. No confíe exclusivamente en los dispositivos de seguridad incorporados en su motosierra. Como usuario, debería adoptar determinadas medidas para evitar accidentes o lesiones durante las operaciones de corte.

1. Puede reducir o eliminar el elemento sorpresa si dispone de las nociones básicas del golpe de retroceso. Las sorpresas repentinas pueden causar accidentes.
2. Cuando el motor esté funcionando, agarre la sierra con firmeza y con ambas manos: la derecha en la empuñadura trasera y la izquierda en la delantera. Agarre con firmeza la motosierra rodeando la empuñadura con los pulgares y dedos restantes. De este modo reducirá las posibilidades de sufrir un golpe de retroceso y mantendrá el control de la sierra. No la suelte.
3. Asegúrese de que la zona de corte esté libre de obstáculos. No permita que el extremo de la espada entre en contacto con un tronco, una rama o cualquier otro tipo de obstáculo que pueda tocar mientras esté utilizando la motosierra.
4. Corte con el motor funcionando a alta velocidad.
5. No corte por encima de la altura de los hombros.
6. Siga las instrucciones del fabricante relativas al afilado y mantenimiento de la cadena.
7. Utilice sólo las espadas y cadenas de repuesto especificadas por el fabricante, o su equivalente.

## OTRAS PRECAUCIONES DE SEGURIDAD

1. No utilice la motosierra con una sola mano. Este uso inadecuado podría ocasionar lesiones graves al usuario, a sus ayudantes, o a transeúntes o a cualquier combinación de los mismos. Las motosierras están ideadas para utilizarse con ambas manos.
2. No utilice una motosierra cuando esté cansado.
3. Utilice calzado de seguridad, ropa ceñida; guantes de protección; y equipo de protección para ojos, oídos y cabeza.
4. Manipule el combustible con cuidado. Antes de arrancar el motor, aleje la motosierra al menos 3 metros del punto de repostaje.
5. No permita que terceros se aproximen a la motosierra cuando la esté arrancando o empleando. Mantenga a transeúntes y animales alejados de la zona de trabajo.
6. Nunca empiece a cortar hasta haber despejado la zona de trabajo, hasta tener una posición estable y haber planificado una ruta de escape de la zona en donde va a caer el árbol.
7. Cuando el motor esté funcionando, mantenga el cuerpo alejado de la motosierra.
8. Antes de arrancar el motor, asegúrese de que la cadena no esté tocando ningún objeto.
9. Transporte la motosierra con el motor apagado, con la espada y la cadena orientadas hacia atrás, y con el silenciador apartado del cuerpo.
10. No utilice una motosierra dañada, mal ajustada o que no esté bien montada. Asegúrese de que la cadena de la sierra se detiene al soltar el gatillo del acelerador.

11. Apague siempre el motor antes de depositar la motosierra en el suelo.
12. Proceda con mucho cuidado cuando corte arbustos y árboles pequeños; al ser el material más fino, puede quedar apresado en la cadena y salir despedido hacia usted o hacerle perder el equilibrio.
13. Al cortar una rama que se encuentra bajo tensión, tenga cuidado de que no le golpee al destensarse las fibras de la madera.
14. Mantenga las empuñaduras limpias, secas y libres de aceite o de combustible.
15. Utilice la motosierra sólo en zonas bien ventiladas.
16. No emplee la motosierra para cortar árboles a menos que haya recibido la formación adecuada.
17. Todas las reparaciones realizadas en la motosierra, excepto las enumeradas en las mantenimiento del Manual del Propietario u Operador o manuales de instrucciones, deberían ser realizadas por personal debidamente cualificado. (Ej., si se utilizan herramientas inadecuadas para retirar el volante o para sujetarlo con el fin de retirar el embrague podrían ocasionarse daños estructurales en el volante y podría romperse posteriormente).
18. Cuando transporte la motosierra, use la funda de espada adecuada.

# SPECIFICATIONS

Modelos		MCV31R
Largo x Ancho x Alto ※		413x244x238mm
Peso en seco (depósitos vacíos) ※		3,4kg
Capacidad del depósito de combustible		240cm <sup>3</sup>
Capacidad del depósito de aceite para lubricar la cadena		180cm <sup>3</sup>
Motor	Tipo	Cilindro único, de dos tiempos, enfriado por aire
	Cilindrada	30,1cm <sup>3</sup>
	Potencia máxima del motor (kw)	1,04
	Carburador	Walbro tipo diafragma
	Magneto	Volante magnético, sistema CDI
	Bujía : Marca Tipo Separación entre los electrodos	NGK BPM8Y 0,6 - 0,7mm
	Arrancador	Arrancador manual
	Transmisión de potencia	Embrague centrífugo automático
	Velocidad máxima recomendada con accesorio de corte	12000 r/min
	Velocidad recomendada en ralentí	3000 r/min
	Mezcla de combustible	50:1
Espada		Espada de 12 pulgadas Espada de 14 pulgadas
Cadena	Paso especificado	9,53 mm (3/8 pulgadas)
	Galga especificada (grosor de los eslabones guía)	1,27 mm (0,050 pulgadas)
	Tipo de cadena	Oregon 91PX
	Lubricación	Bomba de aceite automática regulable
Piñón motor	Número de dientes	6
	Paso	9,53 mm (3/8 pulgadas)
Otros dispositivos		Protección de manos delantera, bloqueo del gatillo del acelerador, Trinquete de cadena, freno de cadena, dispositivo anti vibración, Parachispas (silenciador)
Opción		Apoyo dentado

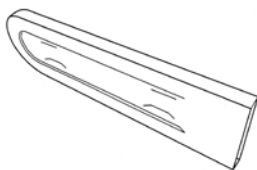
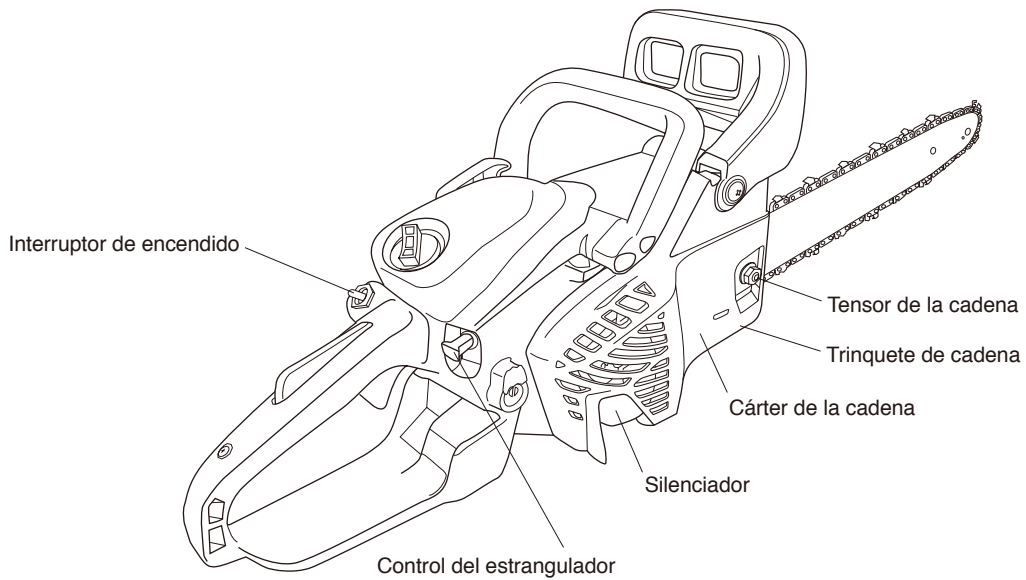
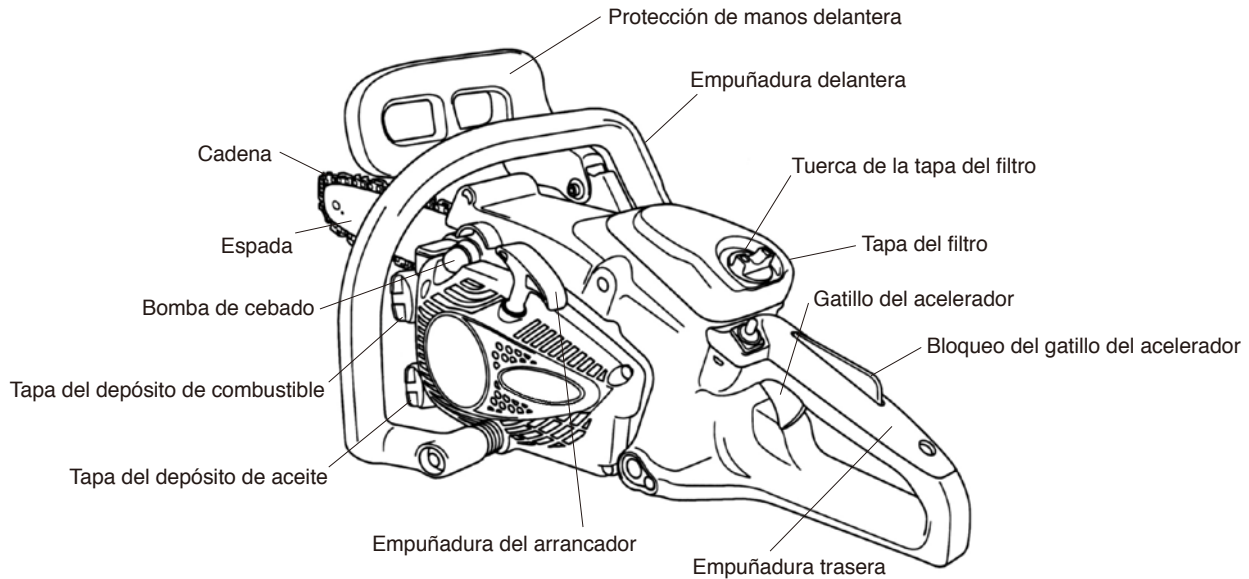
※ Sin espada ni cadena

**Período de durabilidad de emisiones: 300 horas.**

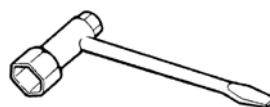
**Debería emplear la motosierra únicamente con la combinación de la espada y cadena recomendada en el capítulo MANTENIMIENTO DE LA CADENA DE LA MOTOSIERRA.**

# DESCRIPCIÓN DEL PRODUCTO

MODELO: MCV31R



Protector de la espada



Llave en T de 13x19 mm  
(Combinación de destornillador / llave de bujía)



Manual del Propietario  
u Operador

# SÍMBOLOS



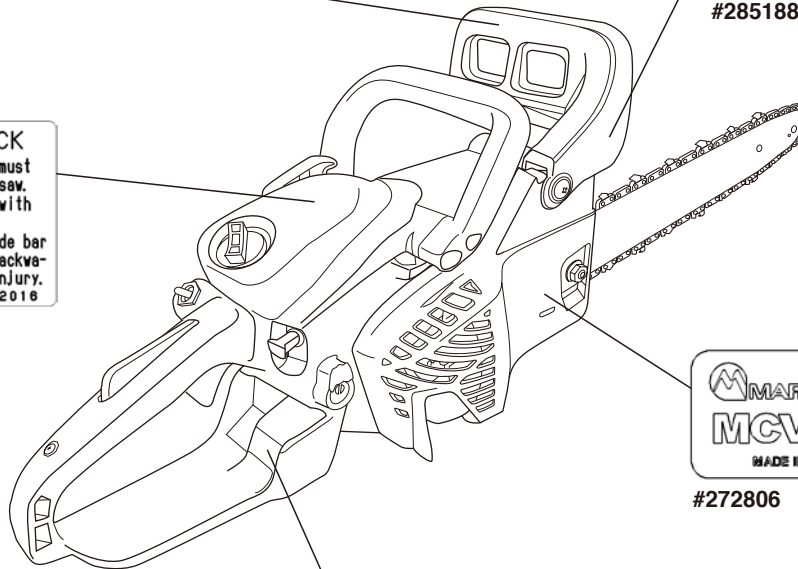
#287161

**▲ WARNING**  
 OPERATION OF THIS EQUIPMENT MAY CREATE SPARKS THAT CAN START FIRES AROUND DRY VEGETATION. A SPARK ARRESTOR MAY BE REQUIRED. THE OPERATOR SHOULD CONTACT LOCAL FIRE AGENCIES FOR LAWS OR REGULATIONS RELATING TO FIRE PREVENTION REQUIREMENTS.

#285188

**TO AVOID KICKBACK**  
 1. Both of the operator's hands must be used to operate the chain saw.  
 2. Contact of the guide bar tip with any object should be avoided.  
 3. Tip contact may cause the guide bar to move suddenly upward and backward, which may cause serious injury.  
 272016

#272016



#272806

GUIDE BAR P/N (OREGON)	CHAIN P/N (OREGON)	REPLACEMENT BAR AND CHAIN
12" 120SDEA041	91PX045E	Note: For the details of guide bar and saw chain combinations, see the instruction manual. There may be other replacement components for achieving kickback protection.
14" 140SDEA041	91PX052E	

#272019

A # 12345

Número de serie

**WARNING:** Read and follow all safety precautions in the instruction manual. Failure to follow instructions could result in serious personal injury.  
 272017

#272017



#282631

# EXPLICACIÓN DE LOS SÍMBOLOS

	Antes de utilizar este producto, lea atentamente este Manual de instrucciones.		Utilice siempre: un casco protector, protección de oídos, visor o gafas de protección.
	Peligro de incendio: La gasolina es muy inflamable. Nunca añada combustible a la motosierra con un motor caliente o en funcionamiento. No fume ni sitúe fuentes de calor en la proximidad del combustible.		Advertencia de superficie caliente: El contacto puede causar quemaduras. El motor está muy caliente cuando está funcionando y algún tiempo después de haber parado el motor. No toque partes del motor como el cilindro, el silenciador y el cárter hasta que el motor se haya enfriado y alcanzado la temperatura ambiente.
	Advertencia Puede producirse un golpe de retroceso		Puede ser peligroso utilizar la motosierra con una sola mano.
	Mezcla de aceite y gasolina		Llenado de aceite de la cadena
	O : off / Para el motor I : on / Enciende el motor		ESTRANGULADOR: Tire del control del estrangulador para "ARRANCAR EN FRÍO"
	Velocidad máxima recomendada		Si gira el tornillo en dirección + (flecha grande) aumentará la cantidad de aceite de la cadena; mientras si lo hace en dirección - (flecha pequeña) la reducirá.
<b>H</b>	Ajuste del carburador Mezcla de alta velocidad	<b>L</b>	Ajuste del carburador Mezcla de baja velocidad
<b>T</b>	Ajuste del carburador Velocidad mínima		Bomba de cebado
	Funcionamiento del freno de la cadena		



Este símbolo denota prohibición.



# INSTRUCCIONES DE SEGURIDAD

El sistema de advertencias de este manual identifica los riesgos potenciales y cuenta con mensajes de seguridad especiales que le ayudarán, a usted y a otras personas, a evitar lesiones personales e incluso la muerte.

**⚠PELIGRO** , **⚠ADVERTENCIA** y **⚠PRECAUCIÓN** son palabras clave que identifican el nivel de peligro.

**⚠PELIGRO** : indica un peligro extremo que causará lesiones graves o la muerte, si no se siguen las precauciones recomendadas.

**⚠ADVERTENCIA** : indica un peligro que puede causar lesiones graves o la muerte, si no se siguen las precauciones recomendadas.

**⚠PRECAUCIÓN** : indica un peligro que puede causar lesiones moderadas o de poca importancia, si no se siguen las precauciones recomendadas. También se utilizan otras dos palabras para resaltar la información. “Importante” llama la atención sobre la información mecánica especial y “Nota” subraya la información general merecedora de especial atención.

## SEGURIDAD DEL USUARIO

1. Antes de utilizar este producto, lea atentamente este Manual. Familiarícese con el uso correcto de este producto.
2. Jamás permita que los niños utilicen la motosierra. No es un juguete. Nunca permita el uso de la unidad sin haber leído antes este Manual.
3. Utilice siempre protección ocular que cumpla con la norma Z87.1. del Instituto Americano de Estándares Nacionales (ANSI).
4. Lleve siempre protección ocular, auditiva y una máscara con filtro facial. Cuando seleccione el protector auditivo, seleccione un tipo de prevención de alta frecuencia. Para más información, consulte sobre la selección de protectores auditivos a su distribuidor.
5. Calce siempre botas fuertes con suela antideslizante.
6. Póngase siempre una gorra o un sombrero. Cuando se cortan árboles o se trabaja debajo, se recomienda llevar un casco de seguridad.
7. Lleve siempre pantalones largos pesados, una camisa de manga larga, botas y guantes. No vista ropa holgada, no lleve joyas, pantalones cortos, sandalias ni vaya descalzo. Recójase el pelo por encima de los hombros. Cuando realice la selección de protectores (ropa de protección, guantes, protección de pies, etc.), elija dispositivos ligeros, duraderos y calientes para evitar la fatiga. Si no dispone de la protección adecuada, puede resultar gravemente herido.
8. Nunca utilice la motosierra cuando esté cansado, enfermo o bajo los efectos del alcohol, drogas o medicación.
9. Nunca arranque ni utilice el motor dentro de un edificio o espacio cerrado. Respirar los gases de escape puede provocar la muerte.



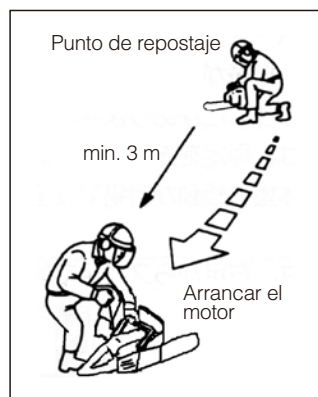
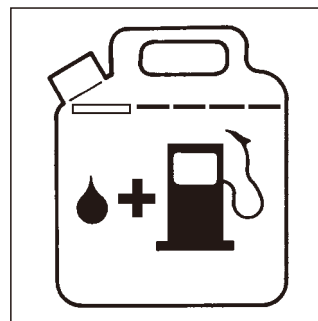
10. Utilice la motosierra sólo en zonas bien ventiladas. El gas de escape, la niebla de aceite y el serrín es perjudicial para la salud.
11. Mantenga las empuñaduras libres de aceite, combustible y suciedad.

## **SEGURIDAD DE LA MOTOSIERRA**

1. Asegúrese de que la motosierra esté correctamente montada según las instrucciones del apartado “Montaje” de este manual.
2. Antes de cada uso, inspeccione la motosierra, cambie las partes dañadas, y compruebe si hay fugas de combustible. Asegúrese de que todas las fijaciones estén en su lugar y bien apretadas.
3. Realice el mantenimiento de la motosierra según los intervalos y procedimientos recomendados detallados en los apartados “Mantenimiento de la motosierra” y “Mantenimiento ordinario”.
4. Utilice los accesorios correctos. Nunca emplee piezas de repuesto no homologadas por Maruyama.
5. Apague el motor antes de realizar tareas de mantenimiento o trabajar en la máquina.
6. Si registra problemas de funcionamiento o vibración excesiva, pare inmediatamente la unidad e inspecciónela para averiguar cuál es la causa. Si es necesario, contacte con el servicio de mantenimiento para repararla.
7. No modifique la motosierra en modo alguno.

## **SEGURIDAD DEL COMBUSTIBLE**

1. La gasolina es muy inflamable y debe manipularse y almacenarse con cuidado. Utilice un contenedor homologado para almacenar gasolina o la mezcla de combustible y aceite.
2. Realice la mezcla y vierta el combustible al aire libre, donde no haya chispas ni llamas.
3. No fume cerca de los recipientes de almacenamiento de combustible ni de la motosierra. No fume mientras utilice la motosierra.
4. No llene el depósito de combustible en exceso. Pare de llenarlo a 6 -13mm. del borde.
5. Antes de arrancar el motor, limpie el combustible derramado.
6. Antes de arrancar el motor, aleje la motosierra como mínimo 3 m. del lugar de repostaje.
7. No quite el tapón del depósito de combustible mientras el motor esté funcionando o inmediatamente después de haberlo parado.
8. Antes de volver a llenar el depósito, deje que se enfríe el motor.



9. Vacíe el depósito de combustible antes de guardar la motosierra. Debería vaciarse después de cada uso; si queda combustible en el depósito, podría verterse cuando está guardado.
10. Almacene el combustible y la motosierra alejados de llamas abiertas, chispas o calor excesivo. Asegúrese de que los vapores del combustible no alcancen las chispas o llamas abiertas de calentadores de agua, hornos, motores eléctricos, etc.

## **SEGURIDAD DEL FUNCIONAMIENTO**

1. ESTA MOTOSIERRA PUEDE OCASIONAR LESIONES GRAVES. Lea las instrucciones atentamente. Familiarícese con todos los controles y el uso correcto de la motosierra.
2. No utilice la motosierra cerca de rocas, gravilla, piedras y materiales similares que pueden convertirse en proyectiles peligrosos.
3. Mantenga la zona de trabajo libre de personas, en particular niños pequeños y animales.
4. Pare el motor si alguien se le acerca cuando utilice la motosierra.
5. Jamás permita que los niños utilicen la motosierra.
6. Use la motosierra sólo con luz diurna o con luz artificial adecuada.
7. Nunca la utilice sin las protecciones apropiadas o sin otros dispositivos de seguridad instalados.
8. No acerque las manos o los pies a las piezas en movimiento. Manténgase alejado de las superficies calientes como el silenciador.
9. Mientras utilice la motosierra, mantenga un buen apoyo.
10. Utilice la herramienta adecuada a la tarea. No utilice la motosierra para tareas no recomendadas.
11. Sepa cómo parar la máquina rápidamente en caso de emergencia. Para información sobre cómo detener el motor, consulte “PROCEDIMIENTOS DE ARRANQUE Y DE PARADA”.

## **OTRAS PRECAUCIONES DE SEGURIDAD: VIBRACIÓN**

El uso prolongado de la motosierra expone al operario a vibraciones que pueden dañar los dedos (Fenómeno de Raynaud). Esta patología reduce la sensibilidad y la capacidad de termorregulación de las manos, producen sensaciones de entumecimiento y quemazón y pueden ocasionar fiebre, daños en el aparato circulatorio y necrosis de los tejidos.

No se conocen todos los factores que provocan esta patología, pero el tiempo frío, lluvioso, fumar y enfermedades o problemas físicos que afectan a los vasos sanguíneos y a la circulación, además de los elevados niveles de vibración y prolongados períodos de exposición a las vibraciones, son factores indicados en el desarrollo de la patología. Para reducir el riesgo de padecer el fenómeno de Raynaud, siga las recomendaciones siguientes.

- Elija el equipo de trabajo adecuado, para reducir las vibraciones al mínimo.
- Utilice la espada apropiada al tipo de funcionamiento.
- Cuando realice la selección de protectores (ropa de protección, guantes, protección de pies, etc.), elija dispositivos ligeros, duraderos y calientes.
- Masajéese las palmas de las manos y los brazos durante los descansos y al acabar de trabajar.
- Realice descansos frecuentes.

**IMPORTANTE :** En caso de síntomas dudosos, consulte con el médico.

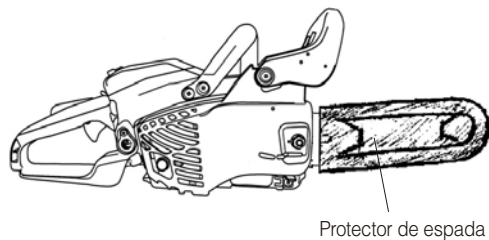
## **OTRAS PRECAUCIONES DE SEGURIDAD: RUIDO**

- El ruido de la motosierra puede dañar el oído. Utilice siempre protección auditiva.
- Los operarios que la utilizan continuamente y con frecuencia, deberían someterse periódicamente a revisiones auditivas.
- Cuando hay mucho ruido, puede sentir más cansancio que en circunstancias normales.

## **TRANSPORTE**

Cuando transporte la motosierra, utilice el protector de espada adecuado.

Transporte la motosierra con el motor parado.



# MONTAJE

## ⚠ ADVERTENCIA

### RIESGO POTENCIAL

- La cadena está afilada.

### QUÉ PUEDE SUCEDER

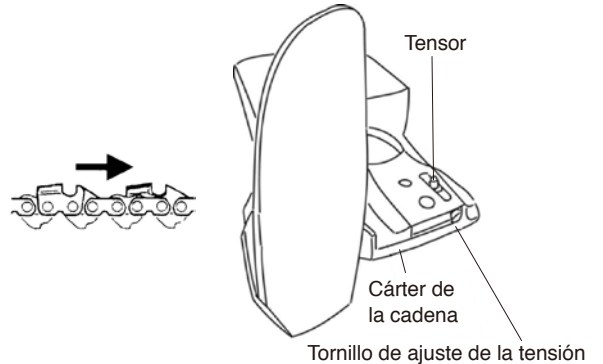
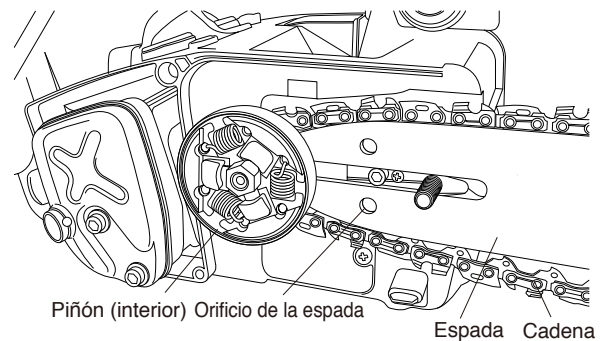
- El contacto con la cadena puede ocasionar lesiones personales.

### CÓMO EVITAR EL PELIGRO

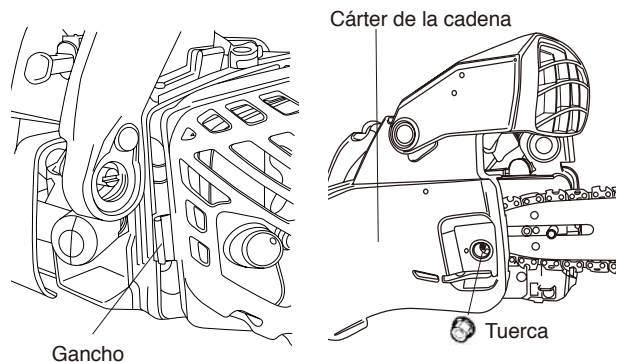
- Póngase guantes cuando manipule la cadena.
- Pare siempre el motor antes de realizar cualquiera de las operaciones siguientes.

## **MONTAJE DE LA ESPADA Y DE LA CADENA**

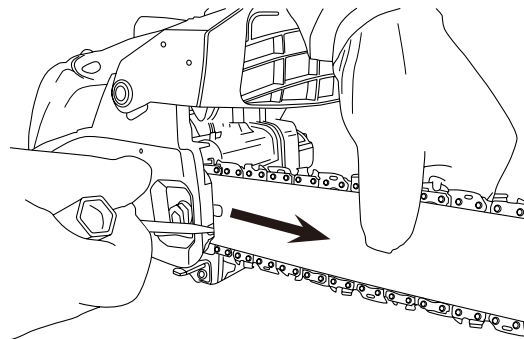
1. Asegúrese de que el freno de la cadena esté desbloqueado.  
Consulte “FRENO DE LA CADENA”.
2. Desatornille la tuerca que mantiene la espada y retire el cárter de la cadena.
3. Primero coloque la cadena en el piñón en la dirección adecuada, a continuación insértela en la ranura de la espada.



4. Asegúrese de que el freno de la cadena esté desbloqueado.
5. Enganche la parte trasera del cárter de la cadena con el gancho situado en el cárter del motor, e inserte el tensor en el orificio de la espada. Reinstale el cárter de la cadena en el cárter del motor y apriete a mano la tuerca que mantiene la espada.



6. Para aumentar la tensión, gire el tornillo de ajuste en el sentido de las agujas del reloj.



7. Apriete la tuerca con fuerza con la llave suministrada, manteniendo la espada hacia arriba.

[Par de apriete]

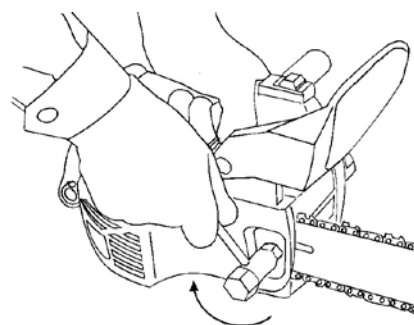
1500 ~ 2000 N•cm (153 ~ 204kgf-cm)

**Cuando emplee la llave de tubo suministrada, agarre el mango y apriete la tuerca con fuerza.**

8. La tensión es correcta cuando la cadena esté perfectamente adaptada a la espada y aún así se pueda tirar de ella a mano longitudinalmente. Si es necesario, reajústela aflojando las tuercas que sostienen la espada.



Espada  
La cadena se adapta perfectamente

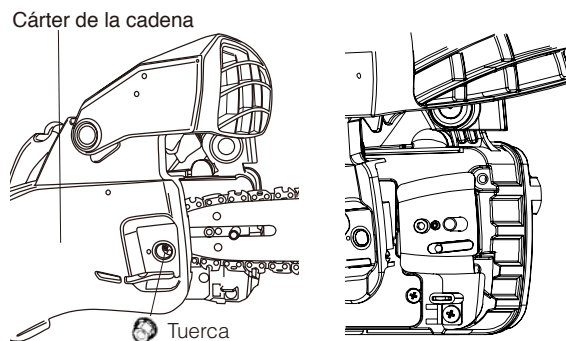


## **INSTALACIÓN DEL APOYO DENTADO (OPCIÓN)**

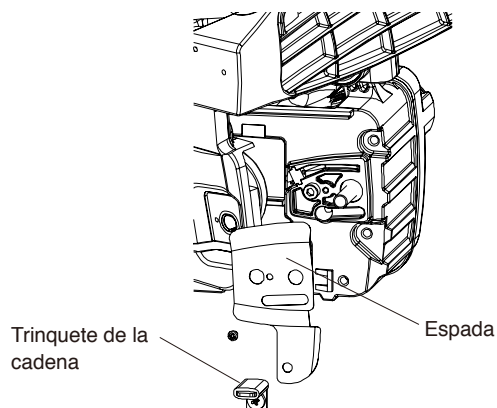
1. Asegúrese de que el freno de la cadena está desbloqueado.

Consulte “FRENO DE LA CADENA”.

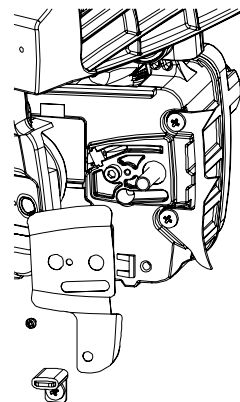
2. Desatornille la tuerca y retire el cárter de la cadena. Quite la cadena y la espada.



3. Retire el tornillo que sujeta la espada. Retire el trinquete de la cadena y la espada.



4. Atornille el apoyo dentado al cárter del motor con 2 tornillos y apriételos a 300~400N•cm (31 ~ 41kgf-cm).



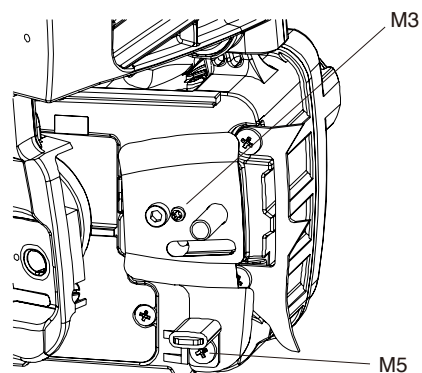
5. Sujete la espada con el tornillo de sujeción (M3) y el tornillo de sujeción del trinquete de la cadena (M5).

[Par de apriete]

M3 : 80 ~ 120 N•cm (8,2 ~ 12,2 kgf-cm)

M5 : 300 ~ 400N•cm (31 ~ 41 kgf-cm)

6. Para montar la espada y la cadena, consulte el apartado “MONTAJE DE LA ESPADA Y LA CADENA”.





# MONTAJE PARA e-JUST

## ⚠ ADVERTENCIA

### RIESGO POTENCIAL

- La cadena está afilada.

### QUÉ PUEDE SUCEDER

- El contacto con la cadena puede ocasionar lesiones personales.

### CÓMO EVITAR EL PELIGRO

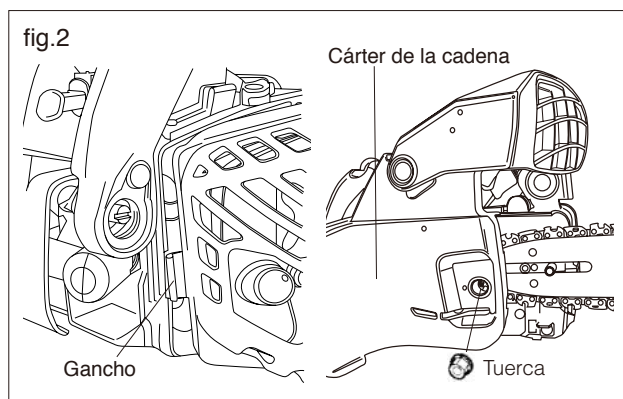
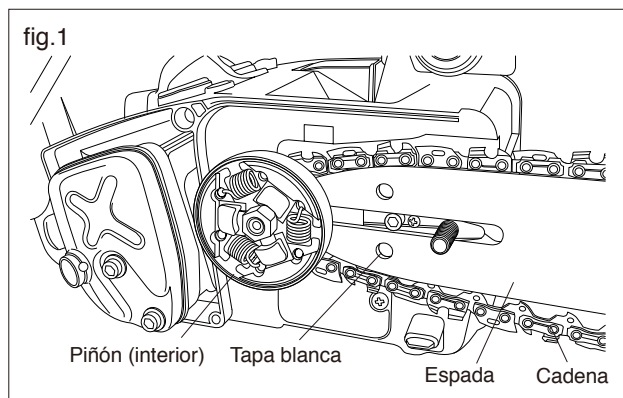
- Póngase guantes cuando manipule la cadena.
- Pare siempre el motor antes de realizar cualquiera de las operaciones siguientes.

## MONTAJE DE LA ESPADA Y DE LA CADENA

Mecanismo de tensado de la cadena bloqueado con el protector de manos delantero (e-JUST).

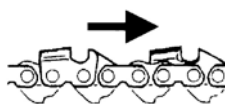


### 〈INSTALACIÓN PARA e-JUST〉

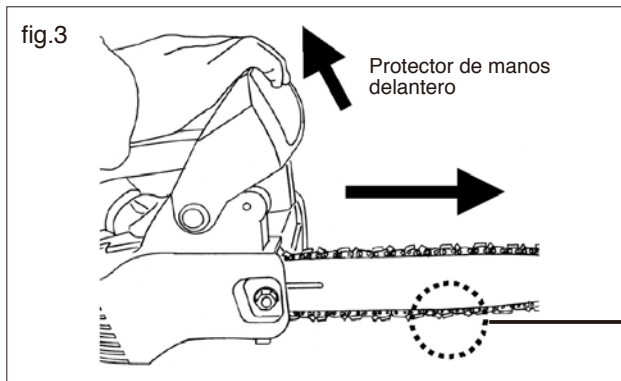


1. Asegúrese de que el freno de la cadena esté desbloqueado. Consulte el apartado “Freno de la cadena”.
2. Desatornille la tuerca que sostiene la espada y retire el cárter de la cadena (consulte fig. 2).
3. Primero coloque la cadena en el piñón en la dirección adecuada, a continuación insértela en la ranura de la espada. Asegúrese de que la tapa blanca situada en el cuerpo de la unidad se ajuste en el orificio de la espada provisto para ajustar la tensión (consulte la fig. 1).

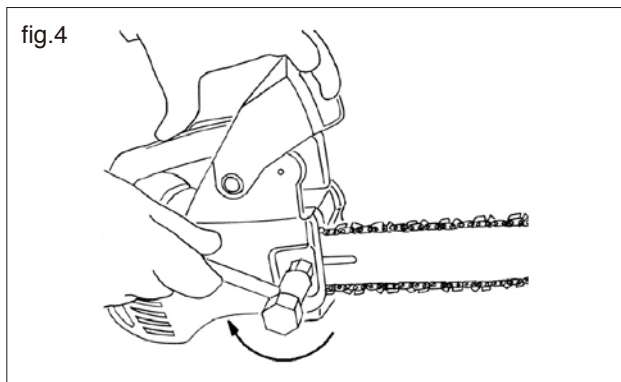
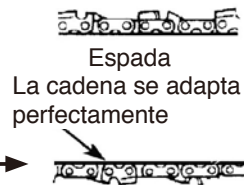
Dirección de la cadena



4. Enganche la parte trasera del cárter de la cadena con el gancho situado en el cárter del motor, e inserte el tensador en el orificio de la espada. Reinstale el cárter de la cadena en el cárter del motor y apriete a mano la tuerca que mantiene la espada (consulte la fig. 2).



- La espada se mueve hacia delante y tensa la cadena al tirar hacia arriba el protector de manos delantero (consulte la fig. 3).



- Apriete con fuerza la tuerca con la llave suministrada, manteniendo la posición del protector de manos delantero, con el extremo de la espada hacia arriba (consulte la fig. 4).

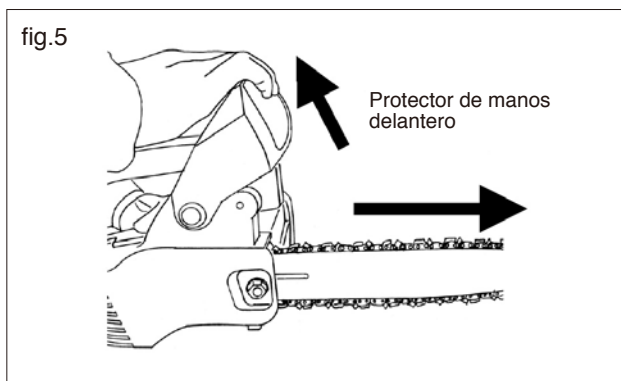
[Par de apriete]

1500 ~ 2000N•cm {153 ~ 204kgf-cm}

**Cuando utilice la llave de tubo suministrada, agarre el mango y apriete la tuerca con fuerza (consulte la fig. 4).**

### 〈AJUSTE DE LA CADENA PARA e-JUST〉

Compruebe la tensión de la cadena con frecuencia. Si es necesario, ténsela de nuevo según el procedimiento de ajuste siguiente. Hágalo con mayor frecuencia, especialmente después de haber instalado una nueva cadena. Las nuevas cadenas pueden estirarse más la primera vez que se utilicen.



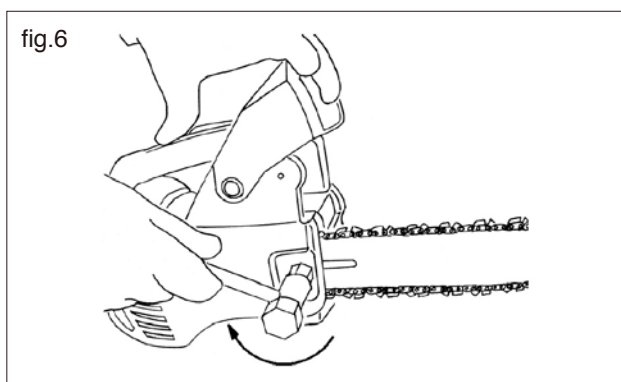
- Afloje la tuerca que sostiene la espada con la llave suministrada. La espada se mueve hacia delante y tensa la cadena al tirar hacia arriba el protector de manos delantero (consulte la fig. 5).

- Apriete la tuerca con la llave suministrada, manteniendo el extremo de la espada hacia arriba (consulte la fig 6).

[Par de apriete]

1500 ~ 2000N•cm {153 ~ 204kgf-cm}

**Cuando utilice la llave de tubo suministrada, agarre el mango y apriete la tuerca con fuerza.**



- La tensión de la cadena es correcta si la cadena permanece en la parte de abajo de la espada y puede girarse a mano con facilidad. Si es necesario afloje las tuercas que sostienen la espada y reajústela.

# PRIMEROS PASOS

## ACEITE Y COMBUSTIBLE

### PELIGRO

#### RIESGO POTENCIAL

- En determinadas condiciones, la gasolina es extremadamente inflamable y muy explosiva.

#### QUÉ PUEDE SUCEDER

- Un incendio o explosión de gasolina puede quemarle, a usted o a otras personas, y ocasionar daños materiales.

#### CÓMO EVITAR EL PELIGRO

- Con un embudo, llene el depósito al aire libre, en una zona abierta, cuando el motor esté frío. Limpie la gasolina derramada.
- No llene el depósito de combustible por completo. Añada gasolina al depósito hasta que el nivel esté entre 6 y 13 mm. por debajo del orificio de llenado. Este espacio vacío del depósito permite que la gasolina se expanda.
- Nunca fume cuando manipule gasolina, y permanezca alejado de una llama abierta o de dónde los vapores de gasolina puedan inflamarse debido a una chispa.
- Almacene la gasolina en un contenedor homologado y manténgalo alejado de los niños.
- Nunca compre gasolina para más de un mes.

### ADVERTENCIA

#### RIESGO POTENCIAL

- La gasolina contiene gases que pueden aumentar la presión en el interior del depósito de combustible.

#### QUÉ PUEDE SUCEDER

- El combustible puede salpicarle al retirar la tapa del depósito.

#### CÓMO EVITAR EL PELIGRO

- Retire la tapa lentamente para evitar lesiones ocasionadas por salpicaduras de combustible.

## CÓMO CARGAR EL COMBUSTIBLE

 **ADVERTENCIA** Las precauciones siguientes reducirán el riesgo de incendio.

1. No fume cerca del combustible.
2. Realice la mezcla y vierta el combustible al aire libre, donde no haya chispas ni llamas.
3. Antes de cargar el combustible, apague el motor. Jamás quite el tapón del depósito de combustible mientras el motor esté funcionando o inmediatamente después de haberlo parado.
4. Abra siempre la tapa del depósito lentamente para liberar cualquier presión que pueda existir en el interior.
5. No llene el depósito de combustible en exceso. Pare de llenarlo a 6 -13 mm. del borde.
6. Apriete la tapa del depósito con cuidado y firmeza después de llenarlo.
7. Antes de arrancar el motor, limpie el combustible derramado.

8. Antes de arrancar el motor, aleje la motosierra como mínimo 3 m. del lugar de repostaje y del contenedor de almacenamiento de combustible.

### **Tipo de aceite recomendado**

Utilice sólo aceite formulado para motores de dos tiempos, enfriados por aire y de alto rendimiento. El aceite de dos tiempos de la marca Maruyama está formulado para motores de dos tiempos, enfriados por aire y de alto rendimiento.

**IMPORTANTE: No utilice aceites homologados por la Asociación nacional de fabricantes marinos (NMMA) o BIA. Este tipo de aceite no tiene los aditivos adecuados para motores de dos tiempos enfriados por aire y puede ocasionar daños al motor.**

**No utilice aceite de automoción. Este tipo de aceite no tiene los aditivos adecuados para motores de dos tiempos enfriados por aire y puede ocasionar daños al motor.**

### **Tipo de combustible recomendado**

Utilice gasolina limpia, fresca y sin plomo, incluida la gasolina oxigenada o reformulada, con un octanaje igual o superior a 85. Para garantizar la frescura, compre sólo la cantidad de gasolina que pueda utilizar en 30 días. El uso de gasolina sin plomo genera menos depósitos en la cámara de combustión y prolonga la vida de la bujía. No es necesario ni se recomienda el uso de gasolina súper.

### **Uso de aditivos de combustible**

**IMPORTANTE: NUNCA UTILICE METANOL, GASOLINA CON METANOL, GASOHOL CON MÁS DE UN 10% DE ETANOL, GASOLINA SÚPER O GASOLINA SIN PLOMO; DE LO CONTRARIO EL CIRCUITO DE ALIMENTACIÓN PODRÍA RESULTAR DAÑADO.**

**NO UTILICE ADITIVOS DE COMBUSTIBLE DISTINTOS A LOS FABRICADOS PARA LA ESTABILIZACIÓN DURANTE SU ALMACENAMIENTO, COMO EL ESTABILIZANTE/ACONDICIONADOR DE MARUYAMA O UN PRODUCTO SIMILAR. EL ESTABILIZANTE/ACONDICIONADOR DE MARUYAMA SE BASA EN UN DESTILADO DE PETRÓLEO.**

**MARUYAMA NO RECOMIENDA ESTABILIZANTES CON UNA BASE DE ALCOHOL COMO EL ETANOL, METANOL O ISOPROPIL. NO DEBERÍAN EMPLEARSE ADITIVOS PARA INTENTAR MEJORAR LA POTENCIA O EL RENDIMIENTO DE LA MÁQUINA.**

### **Cómo hacer la mezcla de gasolina y aceite**

**IMPORTANTE: El motor de esta motosierra es de dos tiempos. Las piezas móviles internas del motor, i.e., cojinetes del cigüeñal, ojos del pie de biela y las superficies de contacto del pistón con la pared del cilindro, necesitan lubricarse con aceite mezclado con gasolina.**

**Si no se añade aceite a la gasolina o si la mezcla no se hace con la proporción adecuada, se ocasionará un importante daño al motor, que anulará la garantía.**

**Para la premezcla de combustible, utilice únicamente un aceite de calidad diseñado para motores de dos tiempos enfriados por aire. El aceite Maruyama de dos tiempos (50:1) está formulado para motores de alto rendimiento, de dos tiempos enfriados por aire.**

## **Mezcla de combustible**

La proporción de combustible- aceite es 50 partes de gasolina y 1 de aceite o 50:1.



**Nota: Nunca utilice una proporción de mezcla inferior a 50:1 independientemente de las instrucciones de mezcla del envase de aceite. Las proporciones inferiores a 50:1, (por ejemplo, 60:1, 80:1, 100:1), reducen la cantidad de lubricación en las piezas internas del motor en movimiento y pueden ocasionar daños.**

## **Tabla de mezcla de combustible**

<b>Gasolina</b>	<b>Aceite para motores de dos tiempos (50:1)</b>
1 galón	2,6 onzas
2 galones	5,1 onzas
5 galones	12,8 onzas

1 litro	20ml
5 litros	100ml

## **Instrucciones de mezcla**

**IMPORTANTE : Nunca mezcle gasolina y aceite directamente en el depósito de combustible de la motosierra.**

1. Mezcle siempre el combustible y el aceite en un recipiente limpio, homologado para gasolina.
2. Marque el recipiente para identificarlo como mezcla de combustible destinada a la motosierra.
3. Utilice gasolina normal sin plomo y llene el recipiente con la mitad de la cantidad necesaria de gasolina.
4. Vierta la cantidad adecuada de aceite y a continuación añada la cantidad restante de gasolina.
5. Cierre el recipiente apretándolo con fuerza y agítelo un momento para mezclar uniformemente el aceite y la gasolina, antes de llenar el depósito de combustible de la motosierra.
6. Cuando vuelva a llenar el depósito, limpie en torno a la tapa para evitar que se introduzca suciedad y residuos en el depósito al quitarla.
7. Agite siempre un poco el recipiente de premezcla de combustible, antes de llenar el depósito.
8. Utilice siempre un surtidor o un embudo para no derramar combustible.
9. Llene el depósito hasta 6 -13 mm. del borde. Evite llenarlo hasta la parte superior del orificio de llenado.

# PROCEDIMIENTO DE ARRANQUE Y PARADA

## ⚠ ADVERTENCIA

- Active el freno de la cadena antes de arrancar el motor.

## ⚠ PRECAUCIÓN

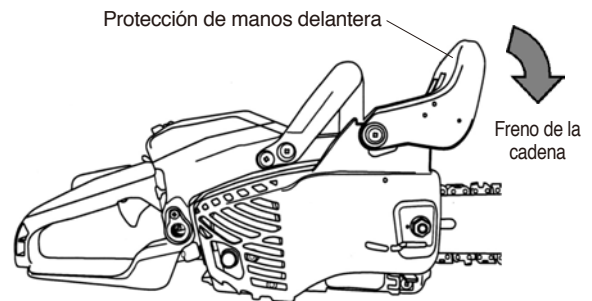
- No aumente la velocidad del motor con el freno de la cadena puesto. Podría calentar en exceso el cárter o dañar el embrague.

### ANTES DE ARRANCAR EL MOTOR

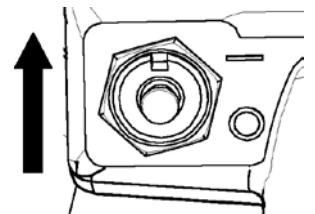
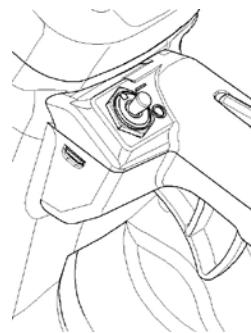
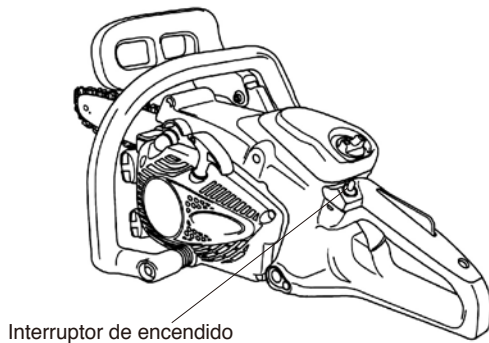
1. Llene el depósito de combustible cómo se indica en el apartado “PRIMEROS PASOS” de este manual.
2. Coloque la motosierra en el suelo.
3. Compruebe que en la zona no haya cristales rotos, puntas, alambres, rocas u otros residuos.
4. Mantenga alejados de la zona de trabajo a transeúntes, niños y animales.

### PROCEDIMIENTO DE ARRANQUE EN FRÍO

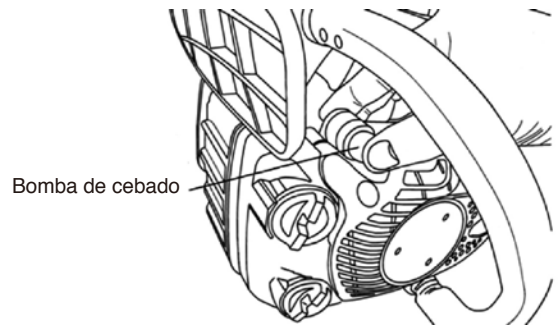
1. Bloquee la cadena empujando la protección de manos hacia delante. Antes de arrancar la motosierra, active siempre el freno de la cadena.



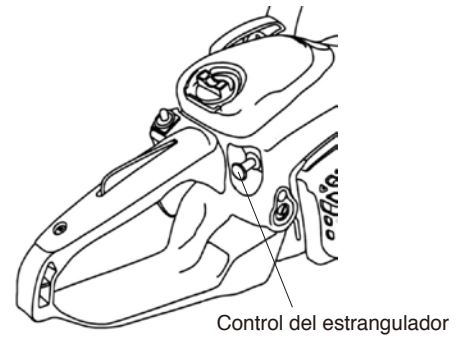
2. Deslice el interruptor de encendido, situado en la parte delantera de la empuñadura trasera, hasta la posición “Start” (“—”).



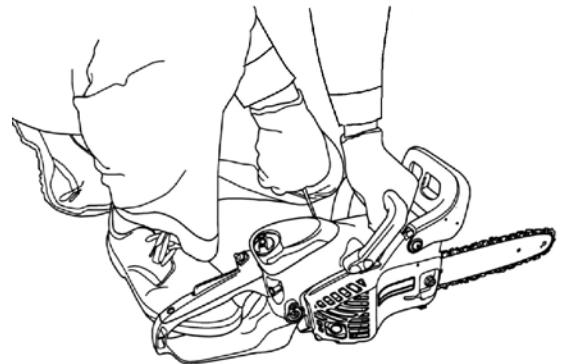
3. Pulse la bomba de cebado hasta que entre en ella el combustible (5-6 veces).



4. Tire del control del estrangulador hasta la posición extendida. De este modo, la válvula del estrangulador se cierra y el gatillo del acelerador se sitúa en posición "Start".



5. Coloque la motosierra en el suelo y, con la mano izquierda, agarre la empuñadura delantera con fuerza. Con la rodilla derecha en el suelo, tire de la empuñadura del arrancador con la mano derecha.



6. Si el motor se cala después del primer intento, pulse el control del estrangulador hasta llevarlo a la posición inicial y vuelva a tirar de la empuñadura del arrancador.

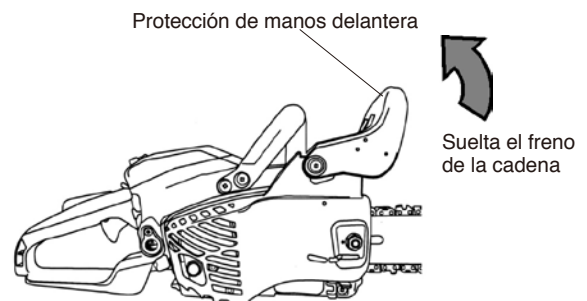
7. Una vez encendido el motor, pulse y suelte inmediatamente el gatillo del acelerador para que vuelva a la posición de ralentí.

8. Una vez arrancado el motor, tire de la protección de manos hacia la empuñadura para soltar el freno de la cadena.

No aumente la velocidad del motor con el freno de la cadena puesto.

Podría calentar en exceso los cárteres o dañar el embrague.

9. Si se cala el motor a baja velocidad, consulte el apartado "AJUSTE DEL CARBURADOR" del mantenimiento ordinario.





## **REARRANQUE EN CALIENTE**

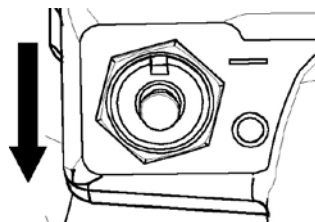
Para arrancar el motor que ya está caliente (rearranque en caliente), o si la temperatura ambiente supera los 20°C:

1. Deslice el interruptor de encendido, que está situado en la parte delantera de la empuñadura trasera, hasta la posición “Start” (“—”).
2. Pulse la bomba de cebado hasta que entre en ella el combustible (5-6 veces).  
No es necesario pulsar la bomba para volver a arrancar el motor en caliente con bastante combustible en el depósito.
3. Tire de la empuñadura del arrancador.
4. Si el motor no arranca después de tres o cuatro intentos, siga las instrucciones del apartado superior “Procedimiento de arranque en frío”.  
Si el motor no enciende tras seguir los procedimientos mencionados, contacte con el distribuidor autorizado de MARUYAMA.

- NOTA:**
1. No tire de la cuerda del arrancador por completo.
  2. No suelte la cuerda del arrancador desde la posición en que está completamente extendida.

## **PARA DETENER EL MOTOR**

1. Suelte el gatillo del acelerador.
2. Deslice el interruptor “Stop” hasta la posición “Stop” (“O”).

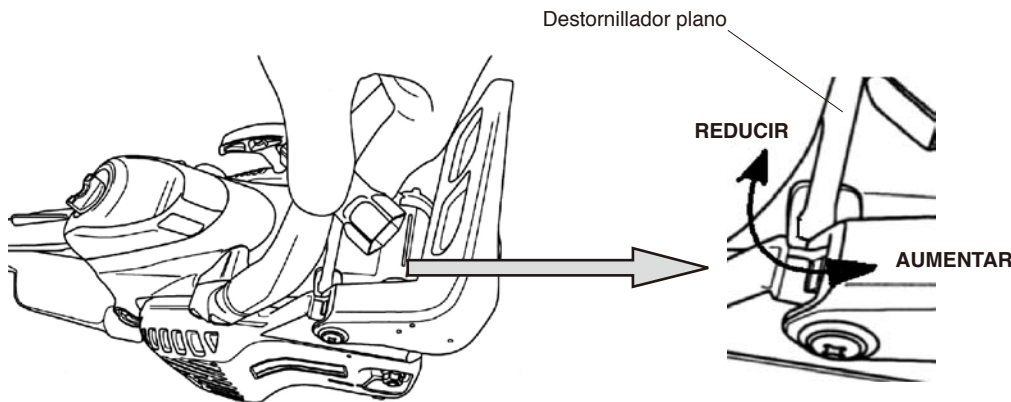


**Nota:** Si el motor no se para en la posición “O”, tire del “CONTROL DEL ESTRANGULADOR”. Si la cadena sigue girando al tirar del Control mientras el motor está en funcionamiento, haga revisar la motosierra de inmediato por el servicio del distribuidor autorizado.

# AJUSTE DEL LUBRIFICADOR

## PRUEBA DE LUBRIFICACIÓN DE LA CADENA

1. Sostenga la cadena sobre una superficie seca.
2. Ajuste el acelerador a la mitad.
3. Debería verse aceite en la superficie.



Para aumentar el volumen de desplazamiento, gire el tornillo de ajuste en sentido contrario a las agujas del reloj.

# AJUSTE DE LA CADENA

Si su motosierra dispone del mecanismo de tensado de cadena e-just, consulte **AJUSTE DE LA CADENA PARA e-JUST**.

1. Asegúrese de que el freno de la cadena está desbloqueado.
2. Afloje la tuerca en sentido contrario a las agujas del reloj utilizando la llave suministrada, a continuación apriete la tuerca con los dedos.
3. Para aumentar la tensión, gire el tornillo de ajuste en el sentido de las agujas del reloj.

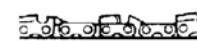
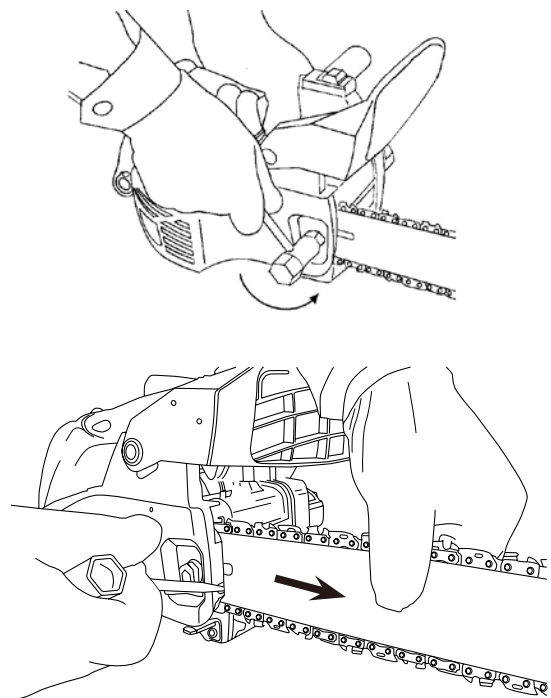
4. Apriete la tuerca con fuerza con la llave suministrada, manteniendo la espada hacia arriba.

[Par de apriete]

1500 ~ 2000N·cm (153 ~ 204kgf·cm)

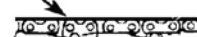
**Cuando emplee la llave de tubo suministrada, agarre el mango y apriete la tuerca con fuerza.**

5. La tensión es correcta cuando la cadena esté perfectamente adaptada a la espada y aún así se pueda tirar de ella a mano longitudinalmente. Si es necesario, reajústela aflojando las tuercas que sostienen la espada.



Espada

La cadena se adapta perfectamente



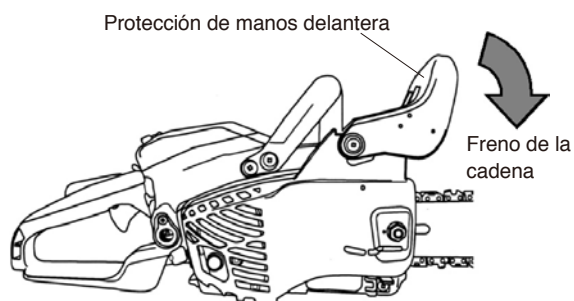
# FRENO DE LA CADENA

## ⚠ PRECAUCIÓN

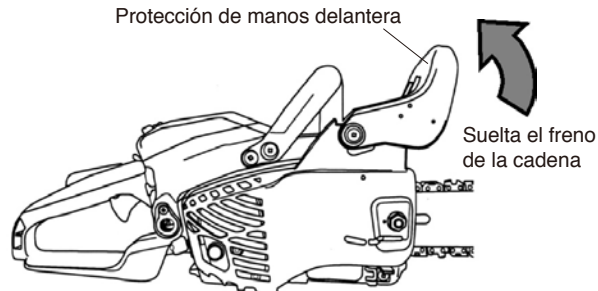
- Antes de arrancar la motosierra, compruebe el funcionamiento del freno de la cadena. Si el freno no funciona adecuadamente, lleve la motosierra al Servicio de mantenimiento local.
- Si el freno resulta bloqueado por el golpe de retroceso, se parará la cadena. Suelte de inmediato el acelerador para evitar ocasionar daños al motor o al embrague. No intente utilizar el motor con el freno puesto.

- El freno de la cadena es el dispositivo que, en un golpe de retroceso, detiene la rotación de la cadena si está activado.

- Cuando se empuja hacia el frente la protección delantera, el freno de la cadena se activa al instante, deteniéndola.



- Cuando la protección delantera se echa totalmente hacia la empuñadura, se suelta el freno.

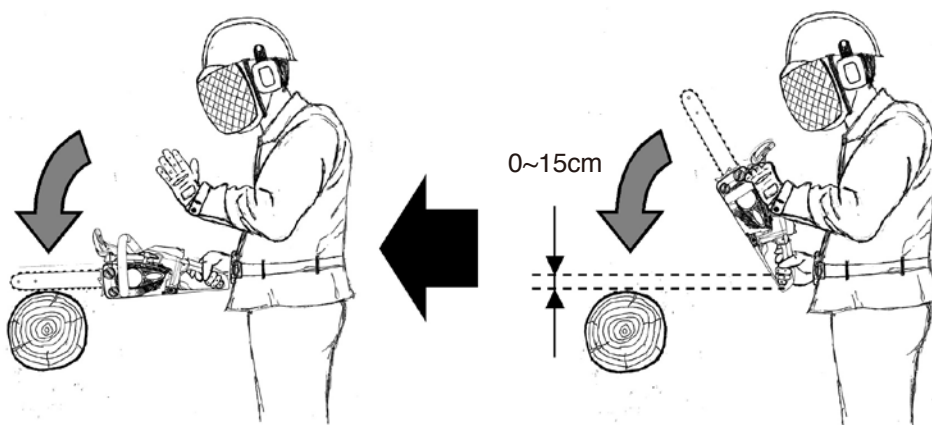


## COMPROBACION DEL FUNCIONAMIENTO DEL FRENO

1. Coloque la motosierra en el suelo.
2. Sujete la empuñadura con ambas manos y, con el gatillo del acelerador, ponga el motor a alta velocidad.
3. Haga funcionar el freno de la cadena girando la muñeca izquierda hacia la protección delantera de las manos, mientras agarra al mismo tiempo la empuñadura delantera.
4. La cadena se detendrá inmediatamente.
5. Suelte el gatillo del acelerador.
6. Si el freno de la cadena no funciona bien, lleve la motosierra al Centro de mantenimiento local.

## **COMPROBACIÓN DEL FRENO AUTOMÁTICO DE LA CADENA**

1. Pare el motor de la motosierra.
2. Utilice las empuñaduras delantera y trasera, de modo que se pueda colocar la motosierra a una altura entre 0 ~ 15 cm. como se ilustra en la imagen.
3. Suelte lentamente la mano izquierda de la empuñadura delantera, y toque con el extremo de la espada el tronco o similar colocado abajo, para que la máquina reciba un impacto. No suelte la mano de la empuñadura trasera.
4. El freno debería activarse cuando la espada golpee el tronco.
5. Si el freno de la cadena no funciona bien, lleve la motosierra al Centro de mantenimiento local.



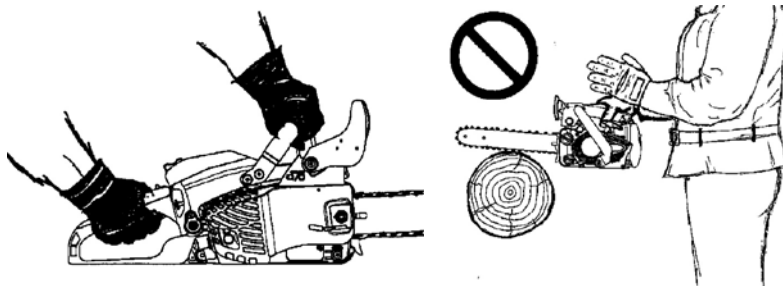
# INSTRUCCIONES DE CORTE

## ⚠ PRECAUCIÓN

- Lea las instrucciones de seguridad de la página 13 sobre el uso adecuado de la motosierra.
- Cuando utilice la motosierra, póngase siempre guantes e indumentaria de protección.
- Para talar árboles se precisa conocimientos y experiencia, especialmente si se cortan árboles de gran diámetro, en pendiente o en suelo inestable. Antes de intentar talar un árbol, asesórese con un experto.
- Antes de intentar talar árboles, corte troncos pequeños o ramas para practicar con la motosierra.
- Aplique sólo una leve presión mientras haga funcionar el motor a alta velocidad de forma constante.
- Si la cadena está bien afilada, el corte debería practicarse casi sin esfuerzo. Cambie la cadena o afílela.
- Si la motosierra queda aprisionada durante la operación de corte, pare el motor e inserte una cuña para retirarla.
- No permita a nadie utilizar la unidad sin haber leído atentamente el manual y comprendido totalmente las instrucciones.
- Utilice la motosierra sólo para cortar madera o productos a base de este material.

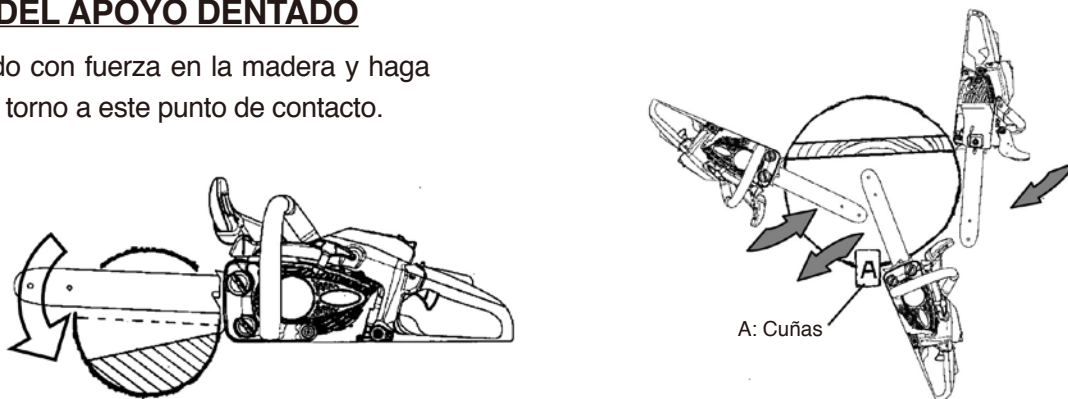
### CÓMO AGARRAR LA MOTOSIERRA

Agarre bien la motosierra con ambas manos. Sitúe la mano derecha en la empuñadura trasera y la izquierda, en la delantera.



### USO ADECUADO DEL APOYO DENTADO

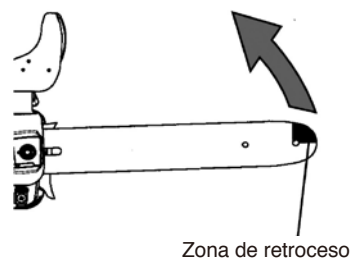
Inserte el apoyo dentado con fuerza en la madera y haga pivotar la motosierra en torno a este punto de contacto.



### PRECAUCIONES DE SEGURIDAD CONTRA EL GOLPE DE RETROCESO

#### FENÓMENO DE GOLPE DE RETROCESO:

Si el cuadrante superior del extremo de la espada entra en contacto con cualquier objeto, la reacción de la cadena puede conducir rápidamente la motosierra contra el operario. No corte ramas con el extremo de la espada.



## **⚠ PELIGRO**

### **RIESGO POTENCIAL**

- El golpe de retroceso puede ocurrir cuando el extremo de la espada entra en contacto con un objeto.

### **QUÉ PUEDE SUCEDER**

- Si el cuadrante superior del extremo de la espada entra en contacto con cualquier objeto, la reacción de la cadena puede conducir rápidamente la motosierra contra el usuario.

### **CÓMO EVITAR EL PELIGRO**

- Sujete fuertemente la motosierra con ambas manos.
- Comience a cortar y continúe cortando a alta velocidad.
- No corte ramas con el extremo de la espada.
- No corte más allá de su alcance.
- Sólo corte un tronco de cada vez.
- No corte por encima de la altura del pecho. Por encima de esa altura, es difícil controlar la motosierra.
- Extreme la precaución, cuando vuelva a trabajar sobre un corte previo.
- Corte en todo momento con una cadena bien afilada y tensada adecuadamente.
- Las galgas de profundidad son extremadamente importantes para el funcionamiento seguro de la cadena.
- Utilice un tipo de cadena de bajo golpe de retroceso.

**⚠ ADVERTENCIA** Es importante afilar la cadena a la profundidad y ángulo correctos.

Una reducción o afilado incorrectos de las galgas de profundidad pueden aumentar el riesgo de lesiones por golpe de retroceso.

**TRACCIÓN:** Ocurre cuando la cadena en la parte inferior de la espada se detiene repentinamente cuando se bloquea o queda aprisionada en la madera.

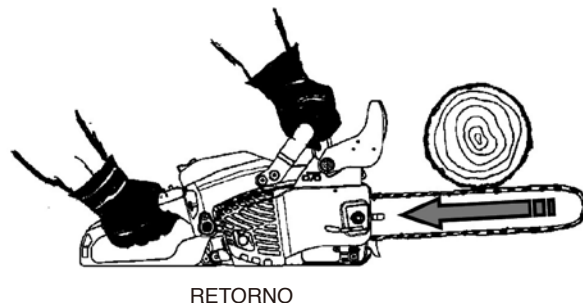
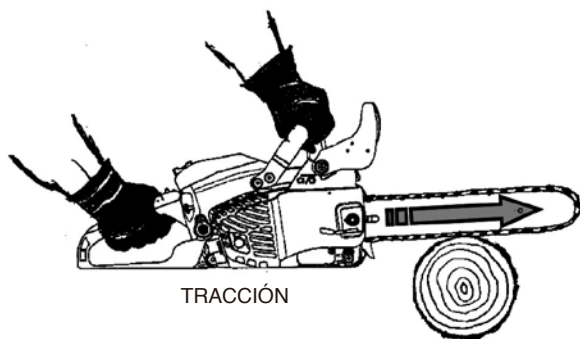
La reacción de la cadena desplaza la motosierra hacia delante.

Cuando corte, mantenga siempre el apoyo dentado en contacto con la madera.

**RETORNO:** Ocurre cuando la cadena en la parte superior de la espada se detiene repentinamente cuando se bloquea o queda aprisionada en la madera.

La reacción de la cadena conduce rápidamente la motosierra contra el operario.

Vigile el corte y el tronco para evitar cualquier movimiento que pueda bloquear la cadena.



**Rebote:** Ocurre cuando la cadena entra en contacto con la madera.

La reacción de la cadena es rebotar en la madera.

Agarre con fuerza la motosierra con ambas manos. Aplique sólo una ligera presión mientras hace funcionar el motor a alta velocidad de forma constante.

## CÓMO TALAR ÁRBOLES

### ⚠ PELIGRO

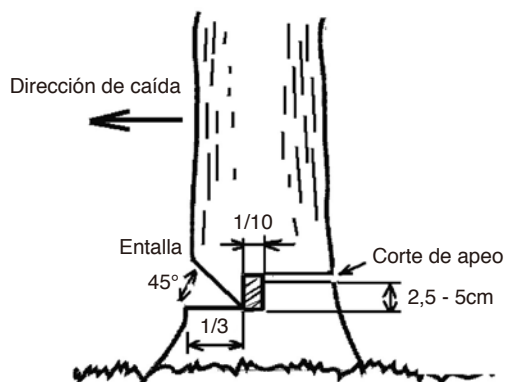
- Hay varios factores que pueden afectar a la dirección de caída prevista. Manténgase alerta ante un posible cambio de dirección mientras cae el árbol.

### ⚠ PRECAUCIÓN

- Si la motosierra comienza a quedar aprisionada cuando realiza el corte de apeo, inserte una cuña para abrir el corte y retirarla.

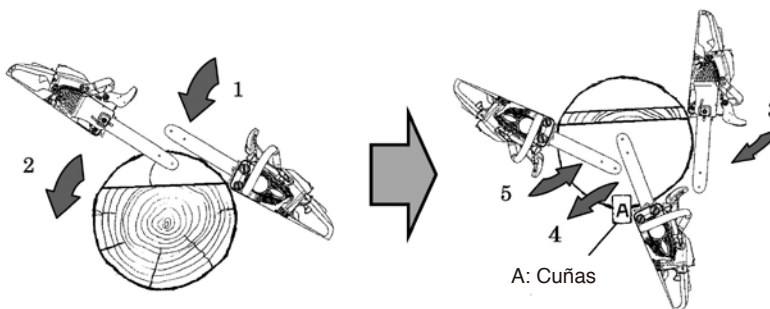
- Antes de talar un árbol, evalúe cuidadosamente todos los factores que pueden afectar la dirección de la caída: la inclinación del árbol, terreno en pendiente, el viento, la estructura de la madera.
- Antes de cortar, desbroce la zona en torno al árbol. Mientras trabaja, necesitará un buen punto de apoyo y tendrá que elegir una ruta de escape.

1. Practique una entalla en el lado en que vaya a caer el árbol.
  - Corte hasta una profundidad de  $1/3$  del diámetro del tronco.
  - Extraiga la pieza resultante de 45 grados.
2. Corte horizontalmente en el lado opuesto a la entalla y a unos 5 cm. de la parte inferior de la misma. (Corte de apeo)
  - La madera restante entre la entalla y el corte de apeo actuará como una bisagra cuando caiga el árbol, guiándolo en la dirección deseada.
3. Cuando el árbol comience a caer, apague el motor, coloque la motosierra en el suelo y retírese rápidamente.



## TALA DE ÁRBOLES DE GRANDES DIMENSIONES

- Para talar árboles cuyo diámetro sea el doble de la longitud de la espada, comience a practicar entallas de un lado y saque la motosierra por el lado opuesto de la entalla practicada.
- Inicie el corte de apeo en un lado del árbol con el apoyo dentado puesto, hacienda pivotar la motosierra desde la bisagra deseada en ese lado.
- A continuación retire la motosierra del segundo corte.
- Inserte la motosierra en el primer corte con mucho cuidado para no provocar un golpe de retroceso.
- El corte final se practica proyectando la motosierra hacia delante en el corte hasta llegar a la bisagra.



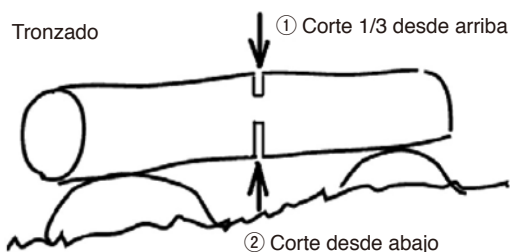
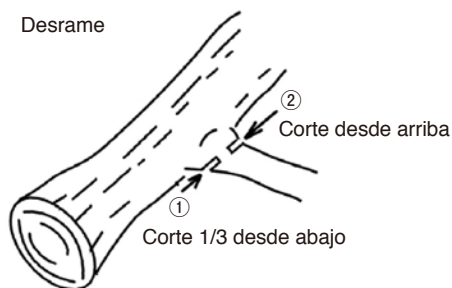


## OPERACIONES DE CORTA Y TRONZADO

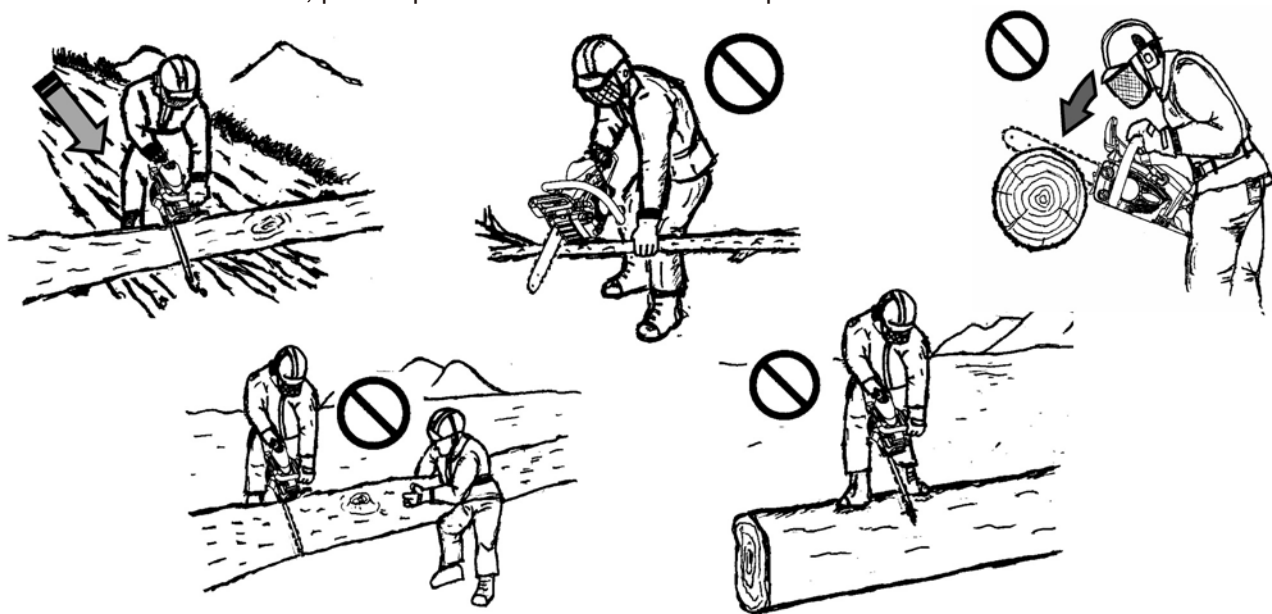
### ⚠ PRECAUCIÓN

- No corte por encima de la altura de los hombros.
- Agarre siempre la motosierra con las dos manos.
- Si trabaja en pendiente, colóquese en la parte situada por encima del tronco.
- No corte madera que sujete otra persona.
- No acerque la motosierra al cuerpo.
- No corte subido a una escalera. Es extremadamente peligroso, la escalera puede resbalar y el control que usted ejerce sobre la motosierra es limitado.
- Cuando se suba a un árbol, nunca utilice la motosierra sin cuerda y arnés.

**⚠ ADVERTENCIA** No ejerza presión en la motosierra cuando llegue al final de un corte. La presión podría hacer saltar la espada y la cadena del corte o entalla de forma incontrolada y golpear al operario u otro objeto. Si la cadena en movimiento golpea un objeto, la fuerza de reacción puede hacer que la cadena golpee al operario.



- Cuando trabaje, mantenga siempre una posición estable.
- Cuando desrame, utilice la parte trasera de la espada. Si el extremo toca la madera, provocará instantáneamente un golpe de retroceso.
- El tronzado es cortar un tronco o árbol caído en trozos más pequeños.
- Antes de cortar un tronco, piense primero en el orden de las operaciones de corte.



# MANTENIMIENTO DE LA CADENA

A continuación figura una lista de equipo de corte recomendado para los modelos de motosierras MCV31R de Maruyama. Se han probado las combinaciones de motor, espada y cadena; y cumplen con las exigencias de vibración y retroceso de la norma ANSI B175.1-2000.


El número máximo de dientes existentes en el engranaje de ángulo o el correspondiente radio máximo del extremo de una espada sólida determinan el radio del extremo de la espada.

La lista siguiente recoge las recomendaciones de Maruyama. Pueden existir otras combinaciones, que logren también reducir el golpe de retroceso.

Como indicamos el radio máximo del extremo de la espada, usted puede utilizar una espada con un radio menor que el mencionado en la lista. Para espadas de la misma longitud, puede considerarse que todas las espadas con engranaje de ángulo del mismo calibre y con el mismo número de dientes de engranaje de ángulo tienen una fuerza de retroceso equivalente.

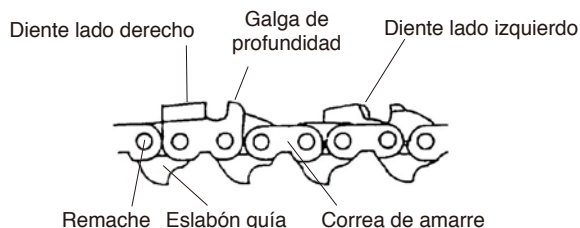
Cuando cambie la cadena, identifique el tipo de cadena con la marca de los eslabones guía.

**En MCV31R pueden utilizarse las combinaciones siguientes.**

CADENA DE BAJO RETROCESO					
Tipo de cadena	Ref. cadena	Nº de eslabón guía	Paso	Calibre	Marca del eslabón guía
Oregon 91PX	91PX045E 91PX052E	45 (espada de 12 pulgadas) 52 (espada de 14 pulgadas)	3/8 pulgadas (9,53mm)	0,050 pulgadas (1,27mm)	

ESPADA DE BAJO RETROCESO					
Tipo de espada	Ref. espada	Longitud	Paso	Grosor de los eslabones guía	Nº máx. de dientes de engranaje de ángulo
Oregon Double Guard	120SDEA041 140SDEA041	12 pulgadas 14 pulgadas	3/8 pulgadas (9,53mm)	0,050 pulgadas (1,27mm)	7

Lima redonda	φ4,0mm (5/32 pulgadas)
--------------	------------------------



**Una cadena de bajo retroceso es aquella que cumple con los requisitos de rendimiento de la norma ANSI B 175.1-2000 (revisión actual del estándar) (Estándar nacional americano para herramientas con motor- Requisitos de seguridad para motosierras de gasolina) cuando se prueba en la muestra representativa de cadenas bajo 3.8 c.i.d. especificada en la norma ANSI B 175.1-2000 (revisión actual del estándar).**

## AFILADO

### ⚠ ADVERTENCIA

- Pare el motor antes de afilar la cadena.
- Cuando trabaje con la cadena, póngase siempre guantes.
- Es importante afilar la cadena hasta conseguir el ángulo y profundidad correctos. Si se rebajan o afilan incorrectamente las galgas de profundidad, puede aumentar el riesgo de lesión por golpe de retroceso.

#### Afilado

La cadena debería afilarse una vez al día.

1. Bloquee la cadena.
2. La cadena está dotada de dientes de corte alternativos a la derecha y a la izquierda. Afílelos siempre de dentro a fuera.
3. Mantenga la lima en ángulo con respecto al ángulo de corte.
4. Sujete la lima horizontalmente.

#### Ajuste de la galga de profundidad

El control de profundidad determina el grosor de las virutas de madera producidas y debe mantenerse correctamente durante toda la vida útil de la cadena.

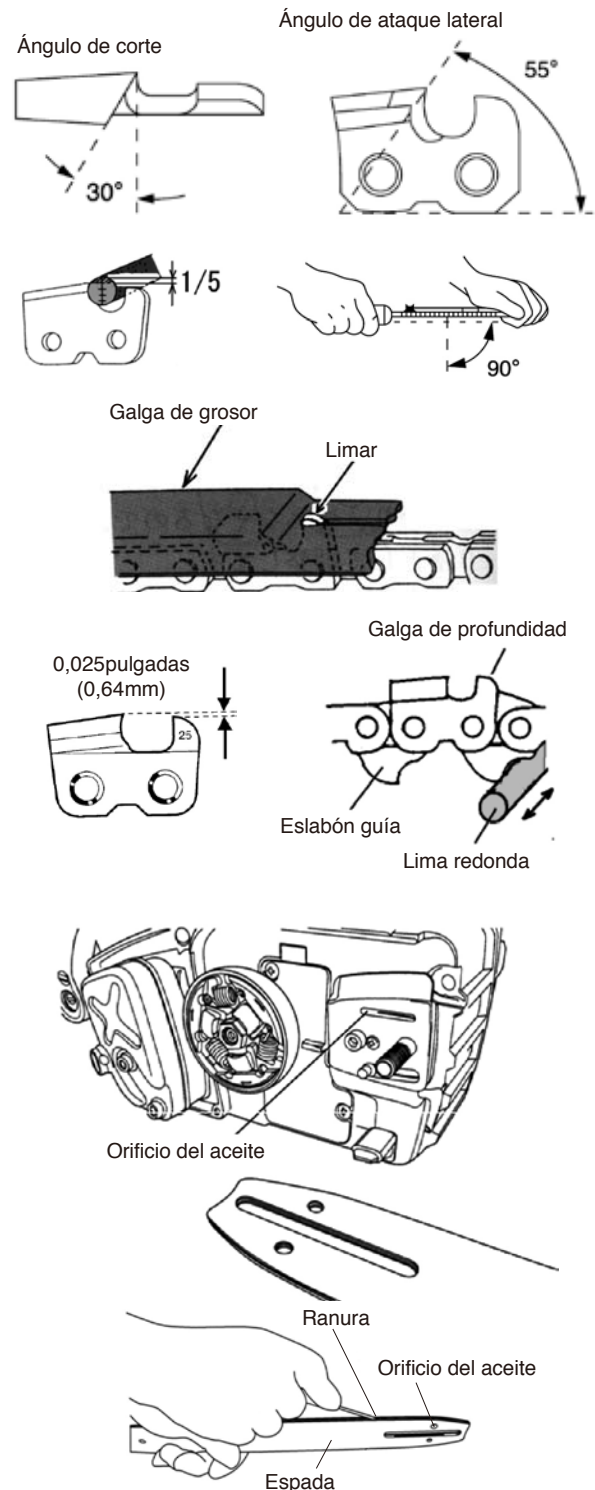
A medida que se reduce la longitud del diente, se modifica la altura del control de profundidad y debe reducirse.

1. Coloque la galga de profundidad y lime cualquier parte que sobresalga del control de profundidad.
2. Redondee la parte delantera del control de profundidad para permitir un corte homogéneo.
3. Mantenga afilado el borde inferior del eslabón guía. (El eslabón guía sirve para retirar el serrín de la ranura de la espada).

#### ESPADA

- Limpie la espada antes de usarla. Limpie la ranura de la espada con un pequeño destornillador o con un alambre. Limpie los orificios de aceite con un alambre.
- Invierta la espada de vez en cuando.
- Revise el piñón y el embrague.
- Antes de instalar la espada, limpie la zona de montaje.

**NOTA: Utilice un tipo de cadena adecuado, de bajo golpe de retroceso. Cuando cambie la espada o la cadena, contacte con el distribuidor local autorizado de MARUYAMA.**



# MANTENIMIENTO ORDINARIO

Cualquier persona o empresa de reparaciones puede realizar el mantenimiento, cambio o reparación de los sistemas y dispositivos de control de emisiones; sin embargo, las reparaciones vinculadas a la garantía deben ser efectuadas por un distribuidor o centro de servicios autorizado por Maruyama Manufacturing Company, Inc. El uso de piezas no equivalentes a las autorizadas en el rendimiento y durabilidad puede reducir la eficacia del sistema de control de emisiones y puede ser relevante en el resultado de una reclamación de la garantía.

## ⚠ ADVERTENCIA

- Antes de afilar la cadena, apague el motor.
- Póngase siempre guantes cuando trabaje con la cadena.
- Cuando cambie la espada o la cadena, utilice un tipo de cadena adecuada de bajo golpe de retroceso.
- Jamás modifique una motosierra en modo alguno. A pesar de que con la motosierra se pueden utilizar ciertos accesorios no autorizados, su uso puede ser extremadamente peligroso.

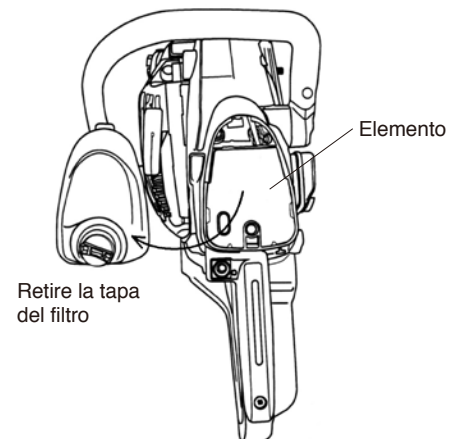
## FILTRO DE AIRE

### Intervalo de mantenimiento

- El filtro de aire debería limpiarse **diariamente**, o con mayor frecuencia si se trabaja en condiciones de mucho polvo.
- Cámbielo tras **100 horas** de funcionamiento.

### Limpieza del filtro de aire

1. Retire la tapa del filtro de la motosierra.
2. Retire el elemento de la tapa del filtro.
3. Limpie el polvo del elemento cepillándolo o con aire comprimido.
4. Monte de nuevo el elemento y la tapa del filtro.

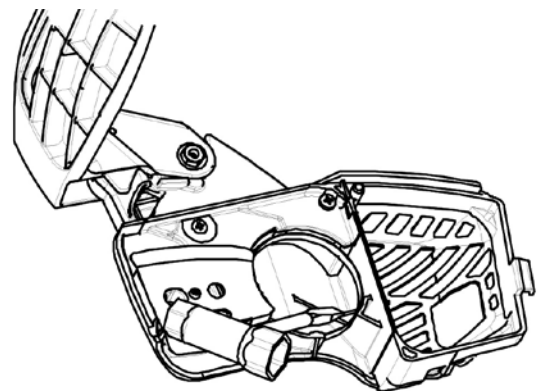


## CÁRTER DE LA CADENA

### Intervalo de mantenimiento

- El cárter de la cadena debería limpiarse diariamente, o con mayor frecuencia si se trabaja en condiciones de mucho polvo.
- Debería limpiarse el freno de la cadena, cuando no funcione correctamente.
- Antes de montar el cárter de la cadena, limpie la zona de montaje de la espada.

**IMPORTANTE:** Si el freno de la cadena no funciona correctamente después de limpiarlo, lleve la motosierra al Centro de servicios local.



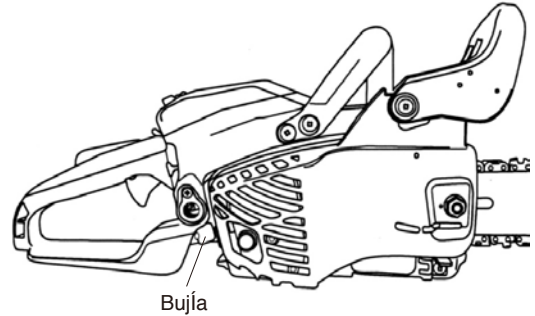
## **BUJÍA**

### **Intervalo de mantenimiento**

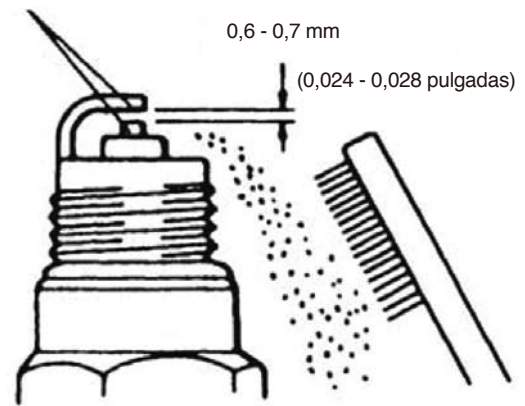
- Debería retirar la bujía del motor y revisarla tras **25 horas** de funcionamiento.
- Cambie la bujía tras **100 horas** de funcionamiento.

### **Mantenimiento de la bujía**

1. Con el motor a temperatura ambiente, gire de un lado a otro y un par de veces, el protector de plomo de alta tensión de la bujía para aflojarlo y retirarlo, a continuación.
2. Extraiga la bujía.
3. Limpie los electrodos con un cepillo duro.
4. Ajuste la separación entre los electrodos a 0,6-0,7 mm (0,024 - 0,028 pul.)
5. Cambie la bujía si está sucia de aceite, dañada o si los electrodos están gastados.
6. Cuando instale la bujía, no la apriete en exceso. El par de apriete es 10,7-16,6 N·m (95-148 in. lbs).



ELECTRODOS



## **PIÑÓN**

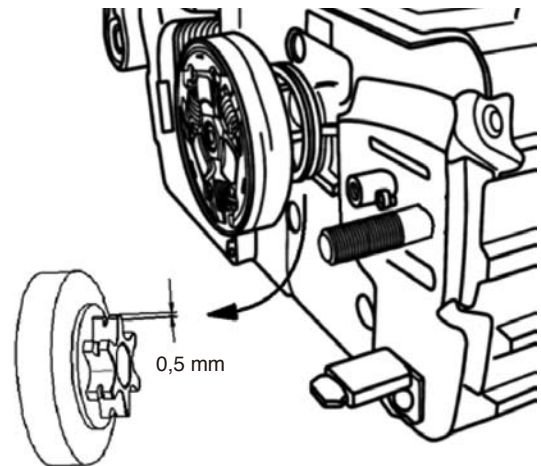
### **Intervalo de mantenimiento**

- Debería retirar el piñón y revisar si está dañado tras **25 horas** de funcionamiento, o cuando instale una nueva cadena.

### **LIMPIEZA Y REVISIÓN DEL PIÑÓN**

- El embrague debería limpiarse e inspeccionarse para comprobar si está dañado.
- El piñón dañado causará desgaste o daños prematuros en la cadena.
- Cuando el piñón se haya gastado 0,5 mm. o más, cámbielo.

PIÑÓN	PASO	DIENTES
	3/8	6





## **FILTRO DE COMBUSTIBLE**

### **Intervalo de mantenimiento**

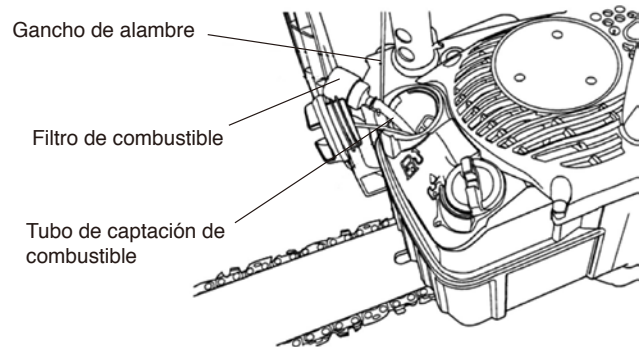
- El filtro de combustible debería limpiarse y revisarse si está dañado tras **25 horas** de funcionamiento.
- Cámbielo tras **100 horas** de funcionamiento.

### **Sustitución del filtro de combustible**

El filtro de carburante está fijado al extremo del tubo de captación de combustible en el interior del depósito.

#### **Para cambiar el filtro del combustible:**

1. Asegúrese de que el depósito esté vacío.
2. Quite la tapa del combustible.
3. Con un gancho, extraiga con cuidado el filtro a través del orificio de llenado de combustible.
4. Agarre el tubo de combustible situado junto al racor del filtro y extraiga el filtro pero sin soltar el tubo.
5. Coloque el nuevo filtro manteniendo el tubo de combustible aún agarrado.
6. Deje caer el nuevo filtro en el depósito de combustible, del lado de la espada.
7. Antes de volver a cargar combustible, asegúrese de que el filtro no esté atascado en un rincón del depósito, y de que el tubo de combustible no esté doblado (retorcido).



## **FILTRO DE ACEITE**

### **Intervalo de mantenimiento**

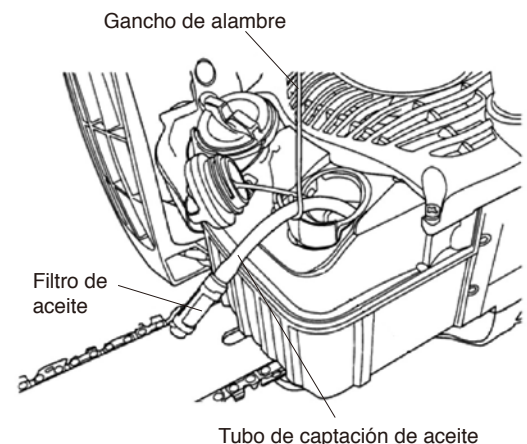
- Debería retirar el filtro de aceite y revisar si está dañado tras **25 horas** de funcionamiento.

### **Limpieza del filtro de aceite**

El filtro de aceite está fijado al extremo del tubo de captación de aceite en el interior del depósito.

#### **Para limpiar el filtro de aceite:**

1. Asegúrese de que el depósito esté vacío.
2. Quite la tapa del aceite.
3. Con un gancho, extraiga con cuidado el filtro a través del orificio de llenado de aceite.
4. Agarre el tubo del aceite situado junto al racor del filtro y limpie el filtro.
5. Deje caer el filtro de aceite en el depósito, del lado de la espada.
6. Antes de volver a cargar combustible, asegúrese de que el filtro no esté atascado en un rincón del depósito, y de que el tubo de aceite no esté doblado (retorcido).



## **REFRIGERACIÓN DEL MOTOR**

### **Intervalo de mantenimiento**

- El sistema de refrigeración del motor debería limpiarse tras **25 horas** de funcionamiento, o una vez a la semana; lo que ocurra primero.
- El aire debe fluir libremente en torno y a través de las aletas de refrigeración del cilindro para impedir el sobrecalentamiento del motor. La acumulación de residuos, suciedad, hierba y hojas en las aletas aumentará la temperatura de funcionamiento del motor, reduciendo su rendimiento y acortando su vida.

### **Limpieza de las aletas de refrigeración**

Limpie toda la suciedad y residuos en torno a la toma de aire de refrigeración.



Toma de aire de refrigeración

## **SILENCIADOR**

### **Intervalo de mantenimiento**

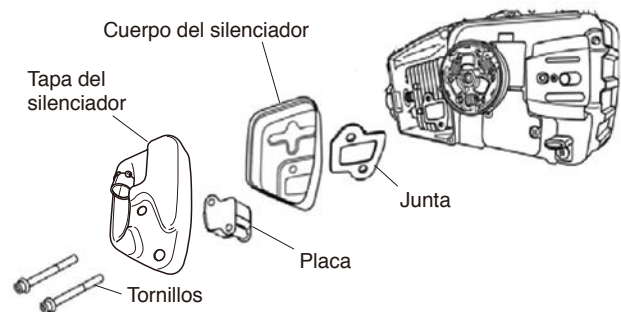
Debería revisarse y limpiarse el silenciador tras **100 horas** de funcionamiento.

## **⚠ PRECAUCIÓN**

- **Tenga cuidado de que no caiga suciedad o residuos en el orificio de escape, de lo contrario podría ocasionar daños en el motor.**

### **Mantenimiento del silenciador**

1. Con el motor a temperatura ambiente, afloje la tuerca y retire el cárter de la cadena.
2. Quite los dos tornillos y extraiga el silenciador.
3. Límpielo con un cepillo duro.
4. Reinstale el silenciador, y a continuación coloque y apriete los dos tornillos.
5. Reinstale el cárter de la cadena.





## PARACHISPAS

### ⚠ ADVERTENCIA

#### RIESGO POTENCIAL

- La superficie del silenciador se calienta cuando funciona la motosierra y permanece caliente durante algún tiempo, después de que se haya apagado el motor.

#### QUÉ PUEDE SUCCEDER

- El contacto con la superficie caliente del silenciador puede ocasionar quemaduras.

#### CÓMO EVITAR EL PELIGRO

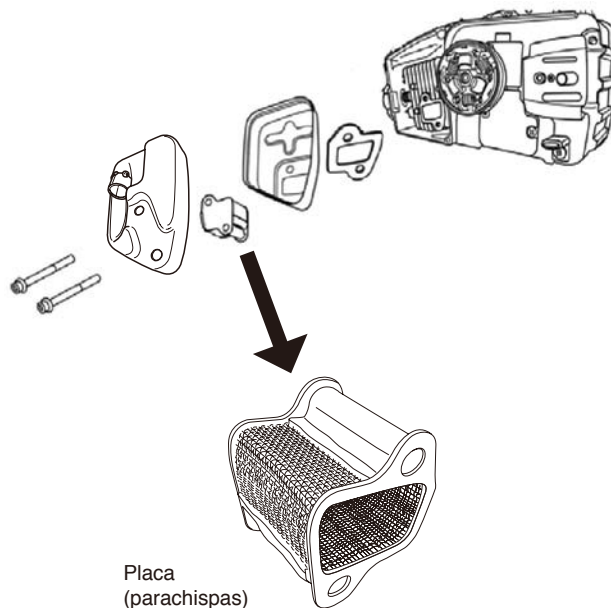
- Antes de inspeccionar y limpiar el parachispas, asegúrese de que el silenciador esté frío.

#### Intervalo de mantenimiento

- Debería examinar y limpiar el parachispas después de cada **25 horas** de uso.
- Cambie el filtro si no puede limpiarlo a fondo o si está dañado.

#### Mantenimiento del parachispas

1. Con el motor a temperatura ambiente.
2. Retire los dos tornillos que sujetan el silenciador.
3. Retire y limpie la pieza terminal, la junta y el parachispas con un disolvente de seguridad y un cepillo duro. En caso de no poder limpiar por completo alguna pieza, debe cambiarla.
4. Vuelva a instalar el parachispas y el silenciador, a continuación reinstale y apriete los dos tornillos.



## LIMPIEZA GENERAL Y AJUSTE

### ⚠ ADVERTENCIA

#### RIESGO POTENCIAL

- Cuando el motor está funcionando, los accesorios y otras piezas se mueven.

#### QUÉ PUEDE SUCCEDER

- El contacto con los accesorios en movimiento u otras piezas móviles podría provocar lesiones graves o incluso la muerte.

#### CÓMO EVITAR EL PELIGRO

- Apague siempre la motosierra antes de proceder con cualquier tarea de limpieza o mantenimiento.

Si se realiza el mantenimiento correctamente, la motosierra de MARUYAMA ofrecerá el máximo rendimiento durante un largo período de tiempo. El mantenimiento adecuado incluye comprobar con frecuencia si todas las fijaciones están bien apretadas, y la máquina bien limpia.

# AJUSTE DEL CARBURADOR

## ⚠ ADVERTENCIA

### RIESGO POTENCIAL

- El motor debe estar en marcha para realizar los ajustes del carburador.
- Cuando el motor esté en marcha, la cadena está moviéndose.

### QUÉ PUEDE SUCEDER

- El contacto con piezas en movimiento podría provocar lesiones graves o incluso la muerte.

### CÓMO EVITAR EL PELIGRO

- Mantenga la ropa, manos y pies alejados de las piezas en movimiento.
- Mantenga a todos los transeúntes y animales alejados de la unidad mientras ajusta el carburador.

- ⚠ ADVERTENCIA**
- Cada vez que utilice la unidad, debería comprobar el ajuste de la velocidad mínima.
  - Utilice el equipo de protección personal recomendado y observe todas las instrucciones de seguridad.

## Velocidad mínima del motor :

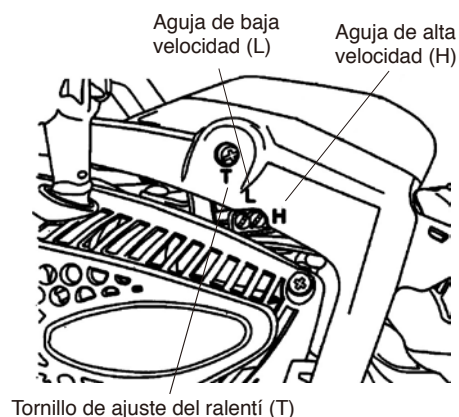
Para ajustar la velocidad mínima, gire el tornillo de ajuste del ralentí en el carburador.

- Gire el tornillo en el sentido de las agujas del reloj para aumentar la velocidad de ralentí del motor.
- Gire el tornillo en el sentido contrario a las agujas del reloj para reducir la velocidad de ralentí del motor.

## Ajuste de las mezclas de combustible :

No ajuste el carburador salvo que sea necesario. Para ajustar el carburador, haga lo siguiente:

1. Para parar, gire los tornillos de ajuste de la mezcla de baja (L) y alta velocidad (H) en sentido contrario a las agujas del reloj.
2. Arranque el motor y déjelo al ralentí hasta que se caliente.
3. Gire el tornillo de ajuste del ralentí (T) en sentido contrario a las agujas del reloj hasta que la cadena se detenga.
4. Acelere a todo gas para comprobar que no haya problemas al pasar de la velocidad mínima a la máxima.
5. Para ajustar la transición de la velocidad mínima a la máxima, gire el tornillo de ajuste de mezcla de alta (H) y baja velocidad (L) en sentido de las agujas del reloj.



## ⚠ PRECAUCIÓN

- Cuando arranque, debería ajustarse el tornillo de ajuste del ralentí (T) de modo que no rote la cadena.
- Si es necesario ajustar la velocidad mínima, y el motor se cala tras el ajuste, deje de utilizar la motosierra inmediatamente.
- Si necesita ayuda o servicios de mantenimiento, póngase en contacto con el distribuidor autorizado de Maruyama.

# ALMACENAMIENTO

## ADVERTENCIA

### RIESGO POTENCIAL

- La gasolina contiene gases que pueden aumentar la presión en el interior del depósito de combustible.

### QUÉ PUEDE SUCEDER

- Al retirar la tapa del depósito, puede salpicarle el combustible.

### CÓMO EVITAR EL PELIGRO

- Retire la tapa lentamente para evitar lesiones ocasionadas por salpicaduras de combustible.

## ADVERTENCIA

### RIESGO POTENCIAL

- La cadena está afilada.

### QUÉ PUEDE SUCEDER

- El contacto con la cadena puede ocasionar lesiones personales.

### CÓMO EVITAR EL PELIGRO

- Póngase guantes cuando manipule la cadena.

## PRECAUCIÓN

### RIESGO POTENCIAL

- Cuando tire de la empuñadura del arrancador, puede salir despedido un chorro de aceite por el orificio de la bujía.

### QUÉ PUEDE SUCEDER

- El aceite puede provocar lesiones oculares.

### CÓMO EVITAR EL PELIGRO

- Protéjase los ojos y mantenga la cara alejada del orificio de la bujía.

## **Almacenamiento de larga duración de la motosierra :**

1. Vacíe el depósito de combustible en un recipiente adecuado homologado para el almacenamiento de gasolina.
2. Accione la pera del cebador del carburador hasta descargar todo el combustible por la bomba de cebado.
3. Ponga en marcha el motor para eliminar el combustible que pueda quedar en el carburador.
4. Realice todos los procedimientos de mantenimiento ordinarios y cualquier reparación necesaria.
5. Retire la bujía y rocíe el cilindro con una pequeña cantidad de aceite.
6. Tire una vez de la empuñadura del arrancador.
7. Tire lentamente de la empuñadura para llevar el pistón hasta la parte superior del cilindro (TDC).
8. Reinstale la bujía.
9. Guarde la motosierra en un lugar seco alejado del calor excesivo, chispas o llamas abiertas.
10. Cuando transporte o almacene una motosierra, utilice siempre un protector para la espada.

# CÓMO SOLUCIONAR PROBLEMAS

Problema	Causa	Actuación
El motor no arranca	<ul style="list-style-type: none"> <li>• El interruptor STOP está en posición off.</li> <li>• Hay un problema eléctrico</li> <li>• El depósito de combustible está vacío</li> <li>• No pulsó suficientemente la pera del cebador</li> <li>• El filtro de combustible está obstruido</li> <li>• El tubo de combustible está obstruido</li> <li>• Carburador</li> <li>• El motor se ahogó</li> </ul>	<ul style="list-style-type: none"> <li>• Coloque el interruptor en la posición de encendido (on)</li> <li>• Consúltelo con su distribuidor MARUYAMA</li> <li>• Llene el depósito de combustible</li> <li>• Púlsela hasta que entre el combustible en la bomba</li> <li>• Límpielo o cámbielo</li> <li>• Límpielo</li> <li>• Consúltelo con su distribuidor MARUYAMA</li> <li>• Use el procedimiento de arranque en caliente</li> </ul>
El motor no tiene potencia o se cala	<ul style="list-style-type: none"> <li>• El filtro de aire está sucio</li> <li>• El filtro de combustible está obstruido</li> <li>• La mezcla de combustible es demasiado rica</li> <li>• El conducto de escape está obstruido</li> <li>• Bujía</li> <li>• El sistema de enfriamiento está bloqueado</li> </ul>	<ul style="list-style-type: none"> <li>• Limpie o cambie el filtro de aire</li> <li>• Límpielo o cámbielo</li> <li>• Abra el estrangulador, ajuste el carburador, consulte con el distribuidor de MARUYAMA</li> <li>• Límpielo</li> <li>• Límpiela y ajústela o cámbiela</li> <li>• Límpielo</li> </ul>

**Si necesita más ayuda, contacte con el servicio técnico del distribuidor local autorizado de Maruyama.**

# PERÍODO DE MANTENIMIENTO

	Mantenimiento	Antes de utilizar la unidad	Cada día	Cada	Cada	Cada
				25 horas	50 horas	100 horas
	Revisar y llenar de combustible	<input type="radio"/>				
	Revisar si hay fugas de combustible	<input type="radio"/>				
■	Revisar y limpiar el filtro de combustible			<input type="radio"/>		
	Revisar y llenar de aceite	<input type="radio"/>				
■	Revisar y limpiar el filtro de aceite			<input type="radio"/>		
	Revisar si están apretados o faltan pernos, tuercas y tornillos	<input type="radio"/>				
	Apretar pernos y tuercas	<input type="radio"/>				
	Revisar el ajuste de la velocidad mínima del motor	<input type="radio"/>				
■	Limpia el elemento del filtro de aire		<input type="radio"/>			
■	Limpia de polvo y suciedad la toma de aire de enfriamiento		<input type="radio"/>			
	Limpia la bujía y ajustar la separación entre electrodos			<input type="radio"/>		
●	Eliminar los depósitos de carbón del orificio de escape					<input type="radio"/>
●	Eliminar los depósitos de carbón del cabezal del pistón y de la cámara de combustión					<input type="radio"/>
●	Eliminar los depósitos de carbón de los orificios de paso					<input type="radio"/>
●	Limpia el parachispas			<input type="radio"/>		
	Cambiar el filtro de combustible					<input type="radio"/>
	Revisar el freno de la cadena	<input type="radio"/>				
	Revisar el piñón			<input type="radio"/>		
	Revisar y limpiar la espada	<input type="radio"/>				
	Limpia el dispositivo antivibraciones (goma, muelle)	<input type="radio"/>				
	Revisar el trinquete de la cadena	<input type="radio"/>				
	Afilas la cadena		<input type="radio"/>			
	Cambiar el tubo del combustible, la junta de la tapa del depósito de combustible	Se recomienda cambiar cada 3 años				

● :El mantenimiento ha de ser realizado por un distribuidor autorizado de motores Maruyama.

■ :Realizar el mantenimiento con mayor frecuencia si se emplea la unidad en condiciones de mucho polvo.

## NOTA:

Los intervalos de mantenimiento indicados se utilizarán a modo de referencia.

El mantenimiento se realizará con mayor frecuencia, según se precise, en función de las condiciones de funcionamiento.

Utilice aceite Maruyama estándar (50:1) para motor de dos tiempos.



## Déclaration de garantie limitée

Tous les produits commerciaux et industriels Maruyama sont garantis à l'acheteur initial contre tout vice de matière ou vice de fabrication, à **partir de la date d'achat**, et ce, pour les durées suivantes:

**Garantie à vie pour l'arbre de transmission interne des taille-bordures et des débroussailleuses et pour l'ensemble des modules d'allumage.**

**3 ans pour utilisation résidentielle, domestique, non lucrative.**

**1 an pour utilisation industrielle, commerciale, publique, locative et lucrative.**

Les moteurs Maruyama de la série AE et Kawasaki TEX45/TEX54 bénéficient exclusivement d'une couverture supplémentaire d'un an dans le cadre d'une utilisation industrielle, commerciale, publique, locative et lucrative (2 ans au total). Pour tout autre moteur, reportez-vous à la déclaration de garantie du fabricant correspondant.

En cas de défectuosité d'une pièce au cours de la période de garantie, Maruyama, à sa discrétion, sera tenu de la changer ou de la remplacer gratuitement. L'évaluation de la garantie est obtenue en délivrant le produit Maruyama jugé défectueux au Service technique d'un distributeur Maruyama agréé dans la période de garantie.

Le remplacement d'une pièce sous garantie non prévu dans le plan de maintenance requise, ou programmé uniquement dans le cadre de la révision ordinaire en vue de sa «réparation ou remplacement si nécessaire» sera couvert pendant la période de garantie. Toute pièce sous garantie remplacée dans le cadre de la maintenance requise est garantie pendant la période précédant le premier point de remplacement prévu pour cette pièce. Maruyama Mfg. Co., Inc. sera tenu responsable des dommages aux autres composants du moteur causés par la défaillance d'une pièce encore sous garantie.

Il incombe au propriétaire d'effectuer la maintenance requise, comme décrit par Maruyama Mfg. Co., Inc. dans le Manuel du propriétaire/de l'utilisateur.

**GARANTIE DES PIÈCES LIÉES AUX ÉMISSIONS** : Outre la couverture de garantie stipulée ci-dessus, Maruyama Mfg. Co., Inc. se chargera de la réparation ou du remplacement, sans frais supplémentaire pour l'acheteur initial et les sous-acquéreurs, d'une pièce liée aux émissions s'avérant défectueuse pour vice de matières et vice de fabrication, pendant une durée de deux ans (2) à compter de la date de livraison par le détaillant d'origine. **Les pièces liées aux émissions couvertes par la garantie sont : le carburateur, le système d'allumage, le rotor de distributeur, la bougie, le pot catalytique et le réservoir de carburant.** Toute pièce de rechange qui est de prestations et de durabilité équivalentes peut être utilisée dans des interventions de maintenance ou de réparation hors garantie, et elle ne réduira pas les obligations de garantie de Maruyama Mfg. Co., Inc.

**Cette garantie ne couvre pas les conditions suivantes :**

1. Eléments de maintenance (à l'exception des vices de matière et vices de fabrication) y compris les tuyaux flexibles, bougies, câbles de démarreur, filtres à air et à carburant, câbles d'accélérateur et accessoires de la pompe, etc.
2. Frais additionnels incluant l'envoi et la manutention, le déplacement, les indemnités pour temps d'inactivité ou de nuisance et d'entreposage.
3. Ajouts ou modifications de pièces de marchés secondaires non autorisées par Maruyama U.S., Inc.
4. Toute défaillance causée par l'usure, un accident, une négligence, une utilisation abusive, des carburants, lubrifiants et mélanges de carburants (le cas échéant) inappropriés, ou une utilisation ou un entretien défectueux du produit découlant du non-respect des instructions fournies par Maruyama

RLa réparation ou le remplacement tel que stipulé dans la présente garantie est l'unique revendication dont jouit l'utilisateur. Maruyama ne saurait être tenu responsable des dommages accessoires ou indirects dus à un manquement exprès ou implicite à la garantie de ces produits, sous réserve des limites établies par la loi en vigueur. Toute garantie tacite de qualité marchande ou d'aptitude à un but particulier pour ce produit est limitée par la durée de cette garantie, telle que définie dans la déclaration de garantie limitée. Maruyama se réserve le droit de modifier ou d'améliorer le design du produit sans préavis et décline toute obligation de mettre à jour les produits préalablement fabriqués.

Cette garantie vous offre des droits juridiques spécifiques susceptibles de varier selon la législation particulière d'un État.

Il incombe au propriétaire et au revendeur de remplir correctement la carte d'enregistrement de la garantie et de l'adresser à la société Maruyama U.S., Inc. Une preuve d'achat et de l'enregistrement sera requise en vue de bénéficier du service de garantie.

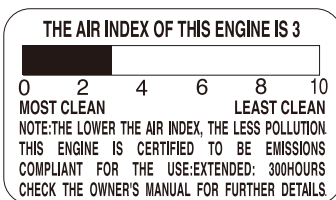
Pour localiser le distributeur Maruyama agréé le plus proche, contactez :

**Maruyama U.S., Inc.**  
**4770 Mercantile Drive, suite 100,**  
**Fort Worth, TX 76137 U.S.A.**  
**(940) 383-7400**  
**maruyama@maruyama-us.com**  
**www.maruyama-us.com**



## ⚠ WARNING: ⚠

The engine exhaust from this product contains chemicals known to the State of California to cause cancer, birth defects or other reproductive harm.



**MCV31R**

## DECLARATION DE GARANTIE DU CONTRÔLE DES ÉMISSIONS DE L'ÉTAT FÉDÉRAL. DROITS ET OBLIGATIONS DÉRIVÉS DE LA GARANTIE

L'Agence de Protection environnementale des États-Unis (EPA) et Maruyama Manufacturing Company, Inc. ont le plaisir d'énoncer les conditions de la garantie du système de contrôle des émissions concernant votre petit moteur hors route. Les nouveaux petits moteurs hors route modèles 1997 et ultérieurs doivent être conçus, fabriqués et équipés, au moment de la vente, en conformité avec les réglementations de l'EPA des États-Unis en matière de petits moteurs hors route. Le moteur de l'appareil ne doit présenter aucun vice de matière, ni vice de fabrication susceptibles d'entraver sa conformité aux normes de l'EPA des États-Unis au cours des deux premières années d'utilisation du moteur, à partir de la date de vente jusqu'au dernier acquéreur. Maruyama Manufacturing Company, Inc. doit garantir le système de contrôle des émissions de votre petit moteur hors route pour la durée indiquée ci-dessus, sous réserve de l'absence d'abus, de négligence ou d'entretien incorrect de celui-ci.

### Période de durabilité des émissions : 300 heures.

Votre système de contrôle des émissions doit inclure des pièces telles que le carburateur ou le système d'injection, le système d'allumage, et le pot catalytique. Il doit également inclure les tuyaux flexibles, courroies, et connecteurs, ainsi que les autres systèmes liés aux émissions.

Toute pièce sous garantie de votre petit moteur hors route sera gratuitement réparée par Maruyama Manufacturing Company, Inc., y compris le diagnostic (s'il est effectué dans un centre agréé), les pièces et la main d'oeuvre.

### COUVERTURE DE GARANTIE DU FABRICANT:

Les petits moteurs hors route modèles 1997 et ultérieurs sont garantis pendant deux ans. Si une pièce de votre moteur liée aux émissions s'avère défectueuse, la pièce sera réparée ou remplacée gratuitement par Maruyama Manufacturing Company, Inc.

### RESPONSABILITÉS DU PROPRIÉTAIRE LIÉES À LA GARANTIE :

- (a) En tant que propriétaire de petit moteur hors route, vous êtes tenu de réaliser la maintenance requise indiquée dans votre Manuel du propriétaire/de l'utilisateur. Maruyama Manufacturing Company, Inc. vous recommande de conserver tous vos reçus concernant l'entretien de votre petit moteur hors route, toutefois Maruyama Manufacturing Company, Inc. ne saurait refuser la garantie uniquement en l'absence de reçus ou de la nonréalisation de tous les travaux d'entretien programmés. Toute pièce de rechange ou service qui sont de prestations et de durabilité équivalentes peuvent être utilisés dans des interventions d'entretien ou de réparations hors garantie, sans pour autant réduire les obligations de garantie du fabricant du moteur.

- (b) En tant que propriétaire de petit moteur hors route, vous devez néanmoins savoir que Maruyama Manufacturing Company peut vous refuser la couverture de la garantie si la panne de votre petit moteur hors route ou d'une pièce sont dus à un abus, à une négligence, à un entretien incorrect ou à des modifications non approuvées.
- (c) Vous êtes tenu de présenter votre petit moteur hors route dans un centre de distribution de Maruyama Manufacturing Company, Inc. dès qu'un problème survient. Les réparations sous garantie doivent être réalisées dans un délai raisonnable de 30 jours.

Si vous avez des questions concernant vos droits et obligations liés à la garantie, vous devez contacter Maruyama U.S., Inc. en appelant le n° **1-866-783-7400**, ou **warranty@maruyama-us.com**.

## **COUVERTURE**

Maruyama Manufacturing Company, Inc. garantit à l'acheteur initial et aux sous-acquéreurs que le petit moteur hors route sera conçu, fabriqué et équipé, au moment de la vente, en vue de respecter toutes les réglementations en vigueur. Maruyama Manufacturing Company, Inc. garantit également à l'acheteur initial et aux sous-acquéreurs que le petit moteur hors route ne présente aucun vice de matière, ni vice de fabrication susceptibles d'entraver sa conformité aux réglementations en vigueur pendant une durée de deux ans.

L'EPA oblige les fabricants de ce type de moteurs à respecter les réglementations pendant deux ans. Ces périodes de garantie commenceront à la date d'achat du petit moteur hors route par l'acheteur initial. En cas de défectuosité de l'une des pièces de votre moteur liée aux émissions, celle-ci sera remplacée gratuitement par Maruyama Manufacturing Company, Inc.

Maruyama Manufacturing Company, Inc. doit réparer ou remplacer toute pièce défectueuse encore sous garantie dans l'un des centres agréés ou de garantie de Maruyama Manufacturing Company, Inc. Tout travail autorisé effectué dans l'un des centres de distribution agréé ou de garantie doit être gratuit s'il est avéré qu'une pièce sous garantie est défectueuse. Il faut utiliser une pièce de remplacement approuvée par le fabricant ou équivalente lors d'une intervention de maintenance ou de réparation de pièces liées aux émissions, couvertes par la garantie. Ces interventions seront gratuites si la garantie est toujours valide. Maruyama Manufacturing Company, Inc. sera tenu responsable des dommages aux autres composants du moteur causés par la défaillance d'une pièce encore sous garantie.

EPA considère que les pièces liées aux émissions sous garantie doivent inclure toutes les pièces énumérées ci-dessous. Ces pièces sous garantie sont : **le carburateur, le système d'allumage, le rotor de distributeur, la bougie, le pot catalytique et le réservoir de carburant.**

## **MAINTENANCE REQUISE**

Le propriétaire est tenu de réaliser toutes les opérations de maintenance requises telles que stipulées par Maruyama Manufacturing Company, Inc. dans le Manuel du propriétaire/de l'utilisateur.

## **LIMITATIONS**

Cette garantie du système de contrôle des émissions ne couvrira aucune des conditions suivantes:

- (a) Réparation ou remplacement d'une pièce consécutivement à une utilisation abusive ou à une négligence, au manquement à la maintenance requise, à des réparations inappropriées ou à des remplacements non conformes aux caractéristiques techniques de Maruyama Manufacturing Company, Inc. susceptibles d'affecter les performances et/ou la durabilité de l'appareil, et aux ajouts ou aux modifications non recommandés ni approuvés par écrit par Maruyama Manufacturing Company, Inc., et
- (b) Remplacement de pièces et d'autres services, réglages nécessaires dans le cadre de la maintenance requise et après le premier point de remplacement programmé.

# DÉCLARATION DE GARANTIE DU CONTRÔLE DES ÉMISSIONS DE LA CALIFORNIE. DROITS ET OBLIGATIONS DÉRIVÉS DE LA GARANTIE

Le Comité des ressources de l'air de la Californie (CARB), et Maruyama Manufacturing Company, Inc. ont le plaisir d'énoncer les conditions de la garantie du système de contrôle des émissions concernant votre petit moteur hors route 2013. En Californie, les nouveaux petits moteurs hors route doivent être conçus, construits et équipés en vue de respecter les normes anti-pollution strictes de l'Etat. Maruyama Manufacturing Company, Inc. doit garantir le système de contrôle des émissions concernant votre petit moteur hors route pour la durée indiquée ci-dessus, sous réserve qu'il n'y a pas eu d'abus, de négligence ou d'entretien incorrect de celui-ci.

Votre système de contrôle des émissions doit inclure des pièces telles que le carburateur ou le système d'injection, le système d'allumage, et le pot catalytique. Il doit également inclure les tuyaux flexibles, courroies, et connecteurs, ainsi que les autres systèmes liés aux émissions.

Toute pièce sous garantie de votre petit moteur hors route sera gratuitement réparée par Maruyama Manufacturing Company, Inc., y compris le diagnostic, les pièces et la main d'oeuvre.

## **COUVERTURE DE GARANTIE DU FABRICANT:**

Les petits moteurs hors route modèles 1995 et ultérieurs sont garantis pendant deux ans. En cas de défaillance d'une pièce de votre moteur liée aux émissions, celle-ci sera réparée ou remplacée par Maruyama Manufacturing Company, Inc.

## **RESPONSABILITÉS DU PROPRIÉTAIRE LIÉES À LA GARANTIE:**

- (a) En tant que propriétaire de petit moteur hors route, vous êtes tenu de réaliser la maintenance requise indiquée dans votre Manuel du propriétaire/de l'utilisateur. Maruyama Manufacturing Company, Inc. vous recommande de conserver tous vos reçus concernant l'entretien de votre petit moteur hors route, toutefois Maruyama Manufacturing Company, Inc. ne saurait refuser la garantie uniquement en l'absence de reçus ou de la non-réalisation de tous les travaux d'entretien programmés.
- (b) En tant que propriétaire de petit moteur hors route, vous devez néanmoins savoir que Maruyama Manufacturing Company peut vous refuser la couverture de la garantie si la panne de votre petit moteur hors route ou d'une pièce quelconque sont dus à un abus, à une négligence, à un entretien incorrect ou à des modifications non approuvées.
- (c) Vous êtes tenu de présenter votre petit moteur hors route dans un centre de services Maruyama Manufacturing Company, Inc. dès qu'un problème survient. Les réparations sous garantie doivent être réalisées dans un délai raisonnable de 30 jours.

Si vous avez des questions concernant vos droits et obligations liés à la garantie, vous devez contacter Maruyama U.S., Inc. en appelant le n° **1-866-783-7400**, ou [warranty@maruyama-us.com](mailto:warranty@maruyama-us.com).

## **Pièces du système d'émissions**

**Émissions d'échappement**  
Carburateur, Filtre à air, Filtre à carburant  
Silencieux, Pot catalytique  
Bobine d'allumage / Magnéto, Bougie  
Soupape RGE (piston)

**Émissions par évaporation**  
Réservoir de carburant

# TABLE DES MATIÈRES

Déclaration de garantie limitée.....	1	Avant d'utiliser l'appareil.....	22
Contrôle Fédéral des émissions.....	3	Procédures de démarrage et d'arrêt.....	25
Contrôle des émissions en Californie.....	5	Réglage du graisseur.....	28
Table des matières.....	6	Réglage de la chaîne.....	28
Introduction.....	6	Frein de la chaîne.....	29
Précautions de sécurité pour les utilisateurs de scies à chaîne.....	7	Instructions de coupe.....	31
Caractéristiques techniques.....	9	Maintenance de la chaîne.....	35
Description du produit.....	10	Maintenance régulière.....	37
Symboles.....	11	Réglage du carburateur.....	42
Explication des symboles.....	12	Entreposage.....	43
Instructions de sécurité.....	13	Résolution de problèmes.....	44
Montage.....	17	Période de maintenance.....	45
Montage pour e-JUST.....	20		

## Introduction

Merci d'avoir acheté un produit Maruyama.

Maruyama, ses distributeurs, et ses revendeurs espèrent que vous soyez entièrement satisfait de votre nouveau produit. Veuillez contacter votre centre de service agréé local si vous avez besoin d'aide pour la maintenance, des pièces d'origine Maruyama, ou pour toute autre information.

Lors de vos communications avec le centre de service agréé ou l'entreprise, veillez toujours à avoir à portée de main le numéro de série de votre produit. Ce numéro permettra au Centre de service ou au représentant du service de vous fournir des informations exactes au sujet de votre produit. Le nom du modèle et le numéro de série sont indiqués sur un emplacement unique du produit (SYMBOLES, à la page FR-11).

Pour votre confort, saisissez le nom du modèle et le numéro de série du produit dans l'encadré ci-dessous.

Nom de modèle _____
N° de série _____

Lisez attentivement le présent manuel pour assimiler l'utilisation et la maintenance correctes de votre produit. Lisez impérativement ce manuel pour utiliser l'appareil en toute sécurité.

Bien que Maruyama conçoit, produit et commercialise des produits sûrs et de pointe, vous devez utiliser le produit de façon correcte et en toute sécurité. Vous devez également former les personnes devant utiliser le produit sur les techniques d'utilisation en sécurité.



**Il est impératif que tout utilisateur de cette scie à chaîne lise et assimile le contenu du présent manuel avant d'utiliser l'appareil.**

Pour de l'aide supplémentaire, contactez votre distributeur MARUYAMA agréé.

# PRÉCAUTIONS DE SÉCURITÉ POUR LES UTILISATEURS DE SCIES À CHAÎNE

## PRÉCAUTIONS DE SÉCURITÉ CONTRE LE REBOND

### AVERTISSEMENT

Le rebond peut se produire quand la chaîne en mouvement touche un objet au niveau du nez ou de la pointe du guide ou quand le bois coince la chaîne dans l'entaille. Un contact avec la pointe ou le nez du guide peut provoquer, dans certains cas, une réaction de recul instantané, faisant rebondir le guide vers le haut et en direction de l'opérateur. Un coincement de la chaîne de coupe le long de la partie supérieure du guide-chaîne peut pousser rapidement le guide-chaîne vers l'opérateur. N'importe laquelle de ces réactions peut vous faire perdre le contrôle de la scie à chaîne et vous provoquer des blessures graves. Ne vous fiez pas uniquement aux dispositifs de sécurité intégrés à la scie à chaîne. En tant qu'utilisateur de la scie à chaîne, vous devrez adopter toutes les mesures nécessaires à sécuriser votre environnement de travail en vue d'éviter tout accident ou blessure.

1. Une compréhension élémentaire de l'effet de rebond permet de réduire ou d'éliminer cet effet de surprise ou toute autre réaction inattendue susceptible de produire un accident.
2. Pendant la coupe, tenez fermement la scie à chaîne des deux mains, saisissez la poignée arrière avec la main droite et la poignée avant avec la main gauche. Tenez-la fermement en empoignant les deux poignées avec le pouce et les doigts. Une bonne prise vous aidera à mieux garder le contrôle de la scie à chaîne en cas de rebond ou de toute autre réaction inattendue.
3. Pour éviter tout risque de rebond, assurez-vous que la zone de travail est libre d'obstacles. Ne laissez pas le nez du guide-chaîne entrer en contact avec un rondin, une branche ou tout autre obstacle pendant que vous utilisez la scie à chaîne.
4. Effectuez vos opérations de coupe à plein régime.
5. N'utilisez jamais la scie à chaîne à bout de bras ou plus haut que les épaules.
6. Suivez les instructions d'affûtage et de maintenance du fabricant de la chaîne.
7. N'utilisez que des guide-chaînes et des chaînes de coupe de rechange qui sont spécifiés par le fabricant ou leur équivalent.

## AUTRES PRÉCAUTIONS DE SÉCURITÉ

1. N'utilisez jamais une scie à chaîne d'une seule main ! Sinon vous risquez de blesser, vous-même, vos collègues ou les passants. La scie à chaîne est conçue pour être utilisée à deux mains.
2. N'utilisez pas de scie à chaîne si vous êtes fatigué.
3. Portez des chaussures de sécurité, évitez les vêtements amples et n'oubliez pas de porter des gants de protection et une protection pour les yeux, les oreilles et la tête.
4. Manipulez le carburant avec précaution. Ne démarrez pas la scie à chaîne à moins de 3 mètres du point d'appoint en carburant.
5. Ne laissez personne s'approcher de la scie à chaîne lors de la mise en route ou de la coupe proprement dite. Maintenez les personnes et les animaux en dehors de la zone de travail.
6. Ne commencez pas votre travail avec la scie à chaîne tant que la zone de travail n'est pas dégagée, que vous n'avez pas de bons appuis et que vous n'avez pas planifié un chemin de fuite en fonction de la direction de chute de l'arbre.
7. Gardez toutes les parties de votre corps loin de la chaîne de coupe quand le moteur est allumé.
8. Avant de démarrer le moteur, assurez-vous que la chaîne n'est en contact avec aucun objet.
9. Pendant le transport de la scie à chaîne, coupez le moteur, orientez le guide et la chaîne de coupe vers l'arrière, et éloignez le silencieux de votre corps.
10. N'utilisez pas de scie à chaîne si elle est endommagée, mal réglée ou assemblée incomplètement. Assurez-vous que la chaîne de coupe s'arrête quand la commande de gaz est relâchée.
11. Éteignez la scie à chaîne avant de la poser par terre.

12. Soyez très prudent lors de la coupe de petites broussailles et de jeunes arbres, car de fins éléments peuvent se prendre dans la chaîne de coupe et être envoyés vers vous ou vous déséquilibrer.
13. Lors de la coupe d'une grosse branche, faites attention au retour afin de ne pas être touché par la branche ou la scie à chaîne quand la tension se relâche dans la branche.
14. Gardez les poignées de la scie à chaîne sèches, propres et exemptes d'huile et de carburant.
15. N'utilisez une scie à chaîne que dans des endroits bien aérés.
16. N'utilisez jamais la scie à chaîne si vous êtes dans un arbre ou sur une échelle, sauf si vous avez reçu une formation spécifique et êtes équipé en conséquence.
17. Toutes les opérations de maintenance de la scie à chaîne qui concernent des composants autres que ceux mentionnés dans les instructions de maintenance du propriétaire doivent être confiées à un personnel d'entretien compétent. (À titre d'exemple, l'emploi d'outils inappropriés pour la dépose du volant d'inertie ou pour le maintien du volant d'inertie en vue de la dépose de l'embrayage peut endommager la structure de ce dernier et provoquer un bris ultérieur.).
18. Pendant le transport de la scie à chaîne, utilisez toujours l'étui de guide adéquat.

# CARACTÉRISTIQUES TECHNIQUES

Modèles		MCV31R
Longueur x Largeur x Hauteur ※		413x244x238mm
Poids à sec (réservoirs vides) ※		3,4kg
Contenance du réservoir à carburant		240cm <sup>3</sup>
Contenance du réservoir à huile pour le graissage de la chaîne		180cm <sup>3</sup>
Engine	Type	Monocylindre deux temps à refroidissement par air
	Cylindrée	30,1cm <sup>3</sup>
	Puissance maximum du moteur (kw)	1,04
	Carburateur	Diaphragme type Walbro
	Magnéto	Volant magnétique, système CDI
	Bougie : Marque Type Écartement des électrodes	NGK BPM8Y 0,6 - 0,7mm
	Démarrreur	Démarrreur manuel
	Transmission de puissance	Embrayage centrifuge automatique
	Vitesse maximum recommandée avec dispositifs de coupe	12000 tr/min
	Vitesse de ralenti recommandée	3000 tr/min
	Mélange de carburant	50:1
	Guide-chaîne	
Chaîne	Pas de chaîne spécifié	9,53 mm (3/8 pouces)
	Calibre spécifié (épaisseur du maillon d'entraînement)	1,27 mm (0,050 pouces)
	Type de chaîne	Oregon 91PX
	Graissage	Pompe à huile automatique réglable
Pignon d'entraînement	Nombre de dents	6
	Pas de chaîne	9,53 mm (3/8 pouces)
Autres dispositifs		Protection de la main tenant la poignée avant (également appelée protège-main avant), blocage de gâchette d'accélérateur, attrape-chaîne, frein de chaîne, dispositif antivibrations, pare-étincelles, silencieux
Option		Griffe d'abattage

※ Sans guide-chaîne ni chaîne

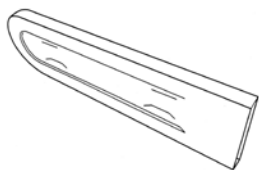
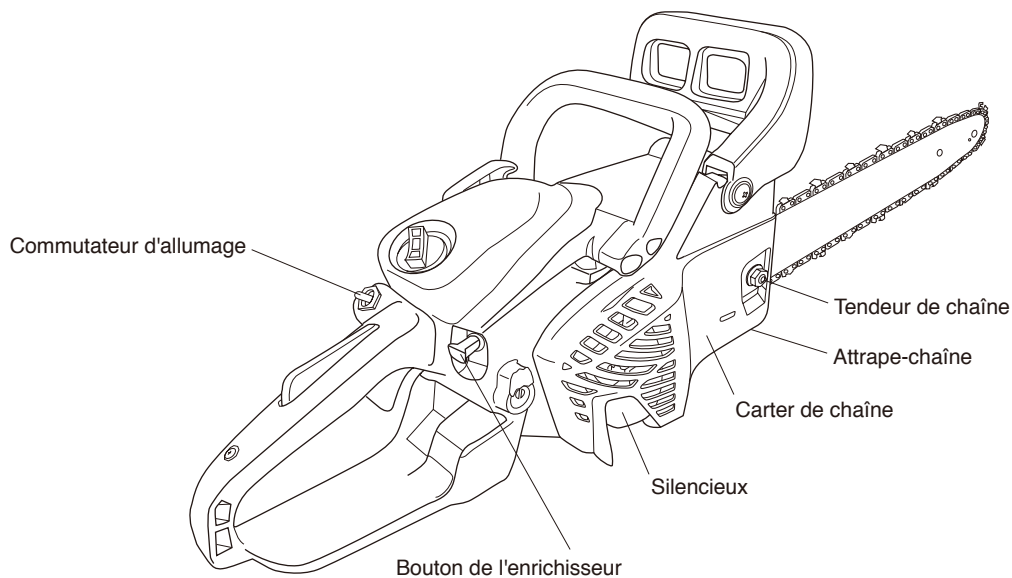
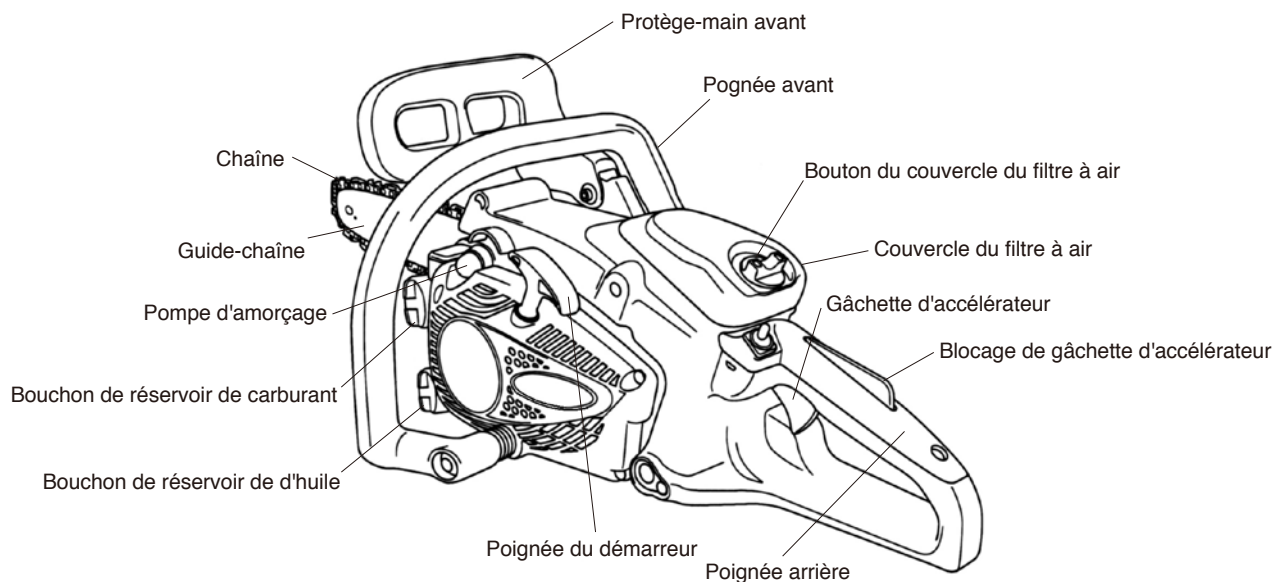
**Période de durabilité des émissions : 300 heures.**

**Utilisez toujours la scie à chaîne avec le guide et la chaîne de coupe que nous recommandons au chapitre MAINTENANCE DE LA CHAÎNE.**

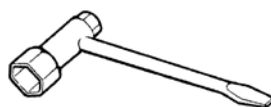


# DESCRIPTION DU PRODUIT

MODÈLE : MCV31R



Protecteur de chaîne



Clé à manche en T 13x19mm  
(Combinaison tournevis /clé à bougie)



Manuel du propriétaire/  
de l'utilisateur

# SYMBOLES



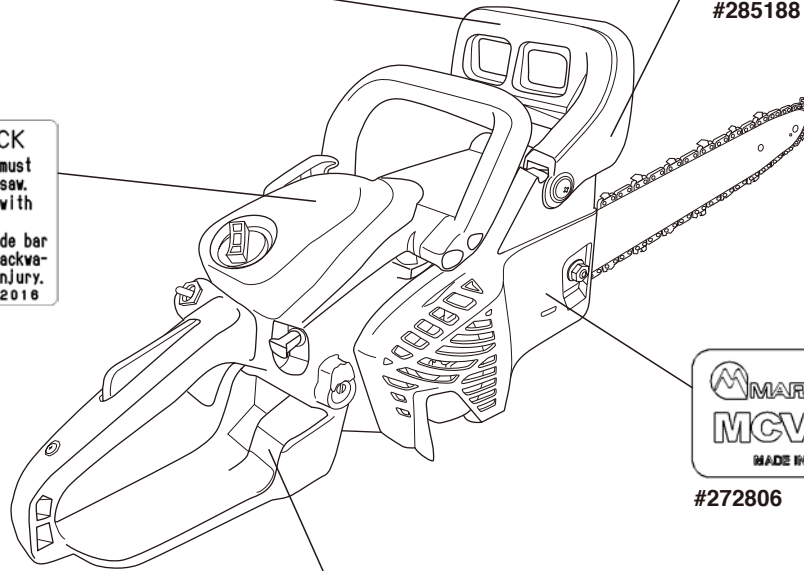
#287161

**WARNING**  
OPERATION OF THIS EQUIPMENT MAY CREATE SPARKS THAT CAN START FIRES AROUND DRY VEGETATION. A SPARK ARRESTOR MAY BE REQUIRED. THE OPERATOR SHOULD CONTACT LOCAL FIRE AGENCIES FOR LAWS OR REGULATIONS RELATING TO FIRE PREVENTION REQUIREMENTS.

#285188

**TO AVOID KICKBACK**  
1. Both of the operator's hands must be used to operate the chain saw.  
2. Contact of the guide bar tip with any object should be avoided.  
3. Tip contact may cause the guide bar to move suddenly upward and backward, which may cause serious injury.  
272016

#272016



#272806

GUIDE BAR P/N (OREGON)	CHAIN P/N (OREGON)	REPLACEMENT BAR AND CHAIN
12" 120SDEA041	91PX045E	Note: For the details of guide bar and saw chain combinations, see the instruction manual. There may be other replacement components for achieving kickback protection.
14" 140SDEA041	91PX052E	

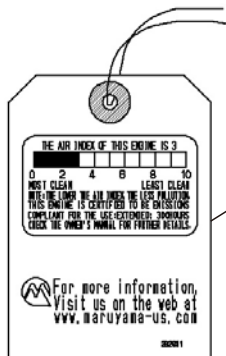
272019

#272019

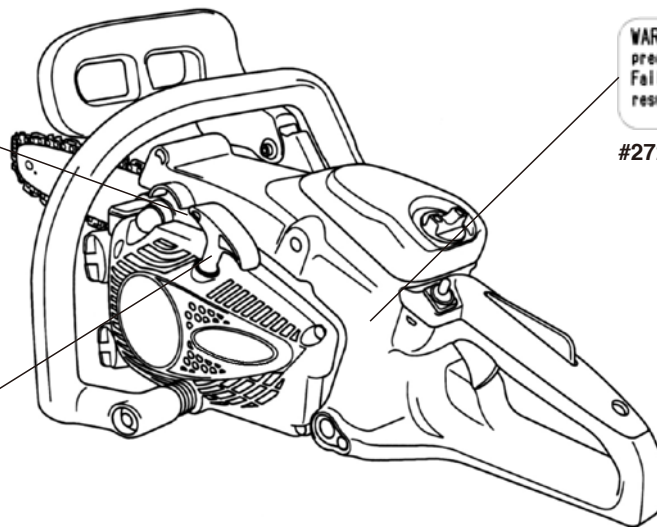
A\*12345  
Numéro de série

**WARNING:** Read and follow all safety precautions in the instruction manual. Failure to follow instructions could result in serious personal injury.  
272017

#272017



#282631



# EXPLICATION DES SYMBOLES

	Lire l'intégralité du présent manuel avant d'utiliser l'appareil.		Utiliser toujours un casque de sécurité, des protections auditives, des lunettes de sécurité ou une visière de protection.
	Danger d'incendie : l'essence est hautement inflammable. Ne pas remplir le réservoir d'essence de la scie à chaîne quand le moteur est chaud ou en fonctionnement. S'abstenir de fumer en manipulant l'essence ou d'approcher une source de chaleur au carburant.		Mise en garde contre les surfaces de chaleur : le contact peut provoquer des brûlures. Le moteur est très chaud en fonctionnement et pendant un instant après son arrêt. Veiller à ne pas toucher les différentes parties du moteur à savoir le cylindre, le silencieux et les carters jusqu'à ce que le moteur ait refroidi et atteint la température ambiante.
	Mise en garde. Risque de rebond !		Ne pas utiliser la scie à chaîne d'une seule main.
	Mélange huile / essence		Plein d'huile de la chaîne
	O : off / Arrêt du moteur I : on / Allumage du moteur		ENRICHISSEUR : Tirer le bouton de l'enrichisseur pour "DÉMARRER À FROID"
	Vitesse maximum recommandée		Tourner la vis dans le sens + (grande flèche) augmente la quantité d'huile de la chaîne ; et la réduit dans le sens inverse - (petite flèche).
<b>H</b>	Réglage du carburateur Réglage de richesse à plein régime	<b>L</b>	Réglage du carburateur Réglage de richesse à faible vitesse
<b>T</b>	Réglage du carburateur Vitesse de ralenti		Pompe d'amorçage
	Fonctionnement du frein de la chaîne		



Tout ce qui est indiqué par ce symbole est interdit.

# INSTRUCTIONS DE SÉCURITÉ

Le système d'avertissements du présent manuel identifie les risques potentiels et contient des messages de sécurité spéciaux qui vous aideront, à vous et à d'autres personnes, à éviter des lésions corporelles, voire la mort.

**⚠ DANGER**, **⚠ AVERTISSEMENT** et **⚠ PRÉCAUTION** sont des mots-clé qui identifient le niveau de danger.

**⚠ DANGER** : indique un danger très élevé susceptible de provoquer des lésions graves ou la mort, en cas de non-respect des consignes de sécurité recommandées.

**⚠ AVERTISSEMENT** : indique un danger susceptible de provoquer des lésions graves ou la mort, en cas de non-respect des consignes de sécurité recommandées.

**⚠ PRÉCAUTION** : indique un danger susceptible de provoquer des lésions modérées à bénignes, en cas de nonrespect des consignes de sécurité recommandées.

Deux autres mots sont également utilisés pour mettre en évidence l'information : « Important » souligne l'importance de l'information mécanique spéciale et « Remarque » attire l'attention sur les informations générales dignes d'intérêt.

## SÉCURITÉ DE L'UTILISATEUR

1. Avant d'utiliser ce produit, lisez attentivement l'intégralité du présent manuel. Assimilez son contenu en vue d'une utilisation correcte du produit.
2. Ne laissez jamais un enfant utiliser la scie à chaîne. Il ne s'agit pas d'un jouet. Autorisez l'utilisation de l'appareil exclusivement aux personnes qui ont lu au préalable le présent manuel.
3. Portez toujours une protection oculaire conforme à la norme ANSI (American National Standards Institute) Z87.1.
4. Veillez à toujours porter des lunettes de sécurité, des protections auditives et un masque facial filtrant. Lorsque vous sélectionnez le protecteur auditif, choisissez un type de prévention de haute fréquence. Pour de plus amples informations sur les protecteurs auditifs, informez-vous en chez votre fournisseur.
5. Portez toujours des bottes robustes anti-dérapantes.
6. Veillez à toujours utiliser une casquette ou un casque de sécurité. Lorsque vous coupez un arbre ou travaillez en dessous, portez un casque de sécurité solide.
7. Portez toujours des pantalons longs, des chemises à manches longues, des bottes et des gants. Ne portez pas de vêtements amples, de bijoux, de bermudas, de sandales, ni ne travaillez pieds nus. Attachez vos cheveux au-dessus de vos épaules. Au moment de choisir les protections (vêtements de protection, gants et chaussures de sécurité, etc.), choisissez des dispositifs légers, durables et chauds pour prévenir la fatigue. La non disposition des protections appropriées peut entraîner des blessures graves.
8. N'utilisez jamais la scie à chaîne si vous êtes fatigué, malade ou sous l'emprise de l'alcool, de la drogue ou de la médication.
9. Ne démarrez jamais, ni ne faites tourner le moteur dans une pièce ou un bâtiment clos. La respiration des gaz d'échappement peut entraîner la mort.



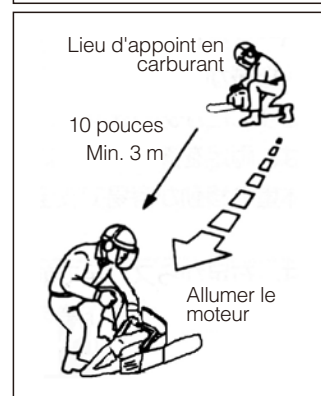
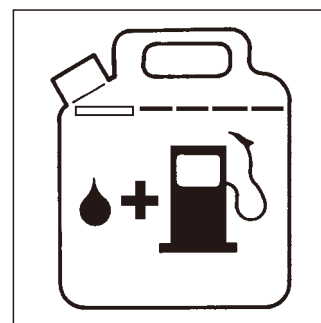
10. Utilisez la scie à chaîne uniquement dans des zones bien ventilées. Les gaz d'échappement, le brouillard de l'huile et la sciure sont nuisibles à la santé.
11. Gardez les poignées de la scie à chaîne sèches, propres et exemptes d'huile et de carburant.

## **SÉCURITÉ DE LA SCIE À CHAÎNE**

1. Assurez-vous que la scie à chaîne est montée conformément aux instructions détaillées à la section «Montage» du présent manuel.
2. Avant chaque utilisation, inspectez la scie à chaîne, changez toutes pièces endommagées, et recherchez toute fuite de carburant. Vérifiez que les pièces de fixation sont correctement serrées.
3. Réalisez la maintenance de la scie à chaîne selon les intervalles et procédures recommandés aux sections «Maintenance de la chaîne» et «Maintenance régulière».
4. Utilisez les accessoires corrects. N'utilisez jamais de pièces de rechange non homologuées par Maruyama.
5. Éteignez le moteur avant de d'entreprendre toute opération d'entretien ou de réparation sur l'appareil.
6. En cas de problèmes de fonctionnement ou de vibration excessive, arrêtez immédiatement le moteur et inspectez l'unité pour identifier la cause du problème. Si nécessaire, contactez le service de maintenance pour réparation.
7. Ne modifiez en aucun cas la scie à chaîne.

## **SÉCURITÉ DU CARBURANT**

1. L'essence est hautement inflammable et doit être soigneusement manipulée et entreposée. Utilisez un bidon homologué pour entreposer l'essence ou le mélange de carburant et d'huile.
2. Faites le mélange et l'appoint en carburant à l'extérieur, à l'abri de flammes ou d'étincelles.
3. Ne fumez pas à proximité de récipients contenant du carburant et de la scie à chaîne. Évitez également de fumer pendant l'utilisation de la scie à chaîne.
4. Ne remplissez pas le réservoir de carburant de façon excessive. Arrêtez de remplir à 1/4-1/2 pouces (6mm - 13mm) de la partie supérieure du réservoir.
5. Avant d'allumer le moteur, nettoyez le carburant renversé.
6. Ne démarrez pas la scie à chaîne à moins de 3 mètres (10 pouces) du lieu d'appoint en carburant.
7. Ne retirez pas le bouchon du réservoir de carburant si le moteur est en fonctionnement ou immédiatement après l'avoir arrêté.
8. Avant de remettre du carburant, laissez le moteur se refroidir.



9. Videz le réservoir de carburant avant de ranger la scie à chaîne. Vous devez vider le carburant après chaque utilisation pour éviter toute fuite de carburant pendant l'entreposage.
10. Entreposez le carburant et la scie à chaîne à l'abri de flammes nues, d'étincelles ou de chaleur excessive. Assurez-vous que les vapeurs de carburant n'atteignent pas les étincelles ou flammes nues de chauffe-eau, de fours, de moteurs électriques, etc.

## **SÉCURITÉ DU FONCTIONNEMENT**

1. CETTE SCIE À CHAÎNE PEUT PROVOQUER DES BLESSURES GRAVES. Lisez attentivement les instructions. Familiarisez-vous avec les commandes et le fonctionnement de la scie à chaîne.
2. Évitez d'utiliser la scie à chaîne à proximité de roches, de graviers, de pierres et d'autres matériaux qui pourraient se transformer en projectiles dangereux.
3. Maintenez éloignées de la zone de travail les personnes, plus particulièrement les petits enfants et les animaux domestiques.
4. Éteignez la scie à chaîne si quelqu'un s'approche de vous.
5. Ne laissez jamais un enfant utiliser la scie à chaîne.
6. Utilisez uniquement la scie à chaîne à la lumière du jour ou sous un éclairage artificiel adéquat.
7. N'utilisez jamais la scie à chaîne sans les protections appropriées et les dispositifs de sécurité en place.
8. N'approchez pas vos mains et vos pieds aux pièces en rotation. Restez éloigné des surfaces chaudes telles que le silencieux.
9. Pendant l'utilisation de la scie à chaîne, demeurez bien campé sur vos jambes et gardez votre équilibre.
10. Utilisez les accessoires corrects. Utilisez la scie à chaîne uniquement pour l'usage auquel il est destiné.
11. Apprenez comment arrêter l'appareil rapidement en cas d'urgence. Pour en savoir plus sur la procédure d'arrêt du moteur, reportez-vous à la section « PROCÉDURES DE DÉMARRAGE ET D'ARRÊT ».

## **AUTRES PRÉCAUTIONS DE SÉCURITÉ – VIBRATION**

L'utilisation prolongée de la scie expose l'opérateur à des vibrations susceptibles de causer des troubles au niveau des doigts (Phénomène de Raynaud). Cette pathologie réduit la sensibilité et la capacité de thermorégulation des mains, en provoquant des sensations d'engourdissement et de brûlure, de la fièvre, des troubles de l'appareil circulatoire et une nécrose des tissus.

Les facteurs provoquant cette pathologie ne sont pas connus, mais le froid, la pluie, la cigarette et les troubles et maladies physiques affectent les vaisseaux sanguins et la circulation sanguine, outre les niveaux de vibration élevés et l'exposition prolongée aux vibrations, sont des facteurs pouvant entraîner le développement de cette maladie. Afin de prévenir tout risque de souffrir le syndrome de Raynaud, suivez les recommandations suivantes :

- Choisissez l'équipement de travail approprié, pour réduire au maximum les vibrations.
- Utilisez le guide-chaîne adéquat au type de travail.
- Lorsque vous sélectionnez les protecteurs (vêtements de protection, gants et chaussures de sécurité, etc.), choisissez des dispositifs légers, durables et chauds.
- Massez-vous les paumes des mains et les bras pendant les repos et en fin de journée de travail.
- Reposez-vous fréquemment.

**IMPORTANT** : Si vous présentez ces symptômes, rendez-vous immédiatement chez votre médecin.

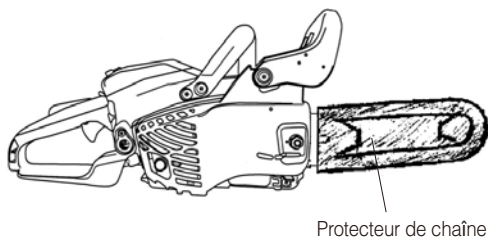
## **AUTRES PRÉCAUTIONS DE SÉCURITÉ – BRUIT**

- Le bruit de la scie à chaîne peut endommager l'ouïe. Utilisez toujours une protection auditive.
- L'utilisateur manipulant fréquemment la scie à chaîne doit se soumettre à de fréquentes revisions auditives.
- L'utilisateur exposé aux bruits peut ressentir davantage de fatigue que dans des circonstances normales.

## **TRANSPORT**

Utilisez le protecteur de chaîne approprié avant de transporter l'appareil.

Transportez la scie à chaîne avec le moteur éteint.



Protecteur de chaîne



# MONTAGE

## ⚠ AVERTISSEMENT

### RISQUE POTENTIEL

- La chaîne est affûtée.

### QUE PEUT-IL SE PASSER

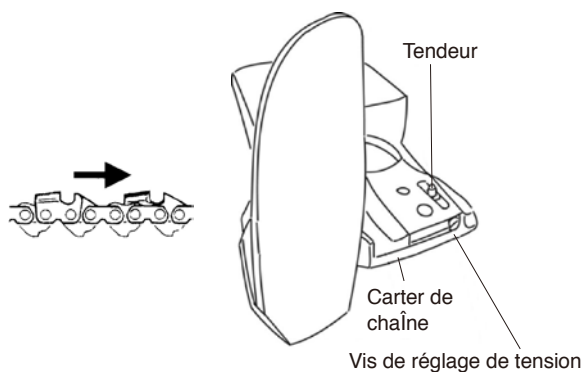
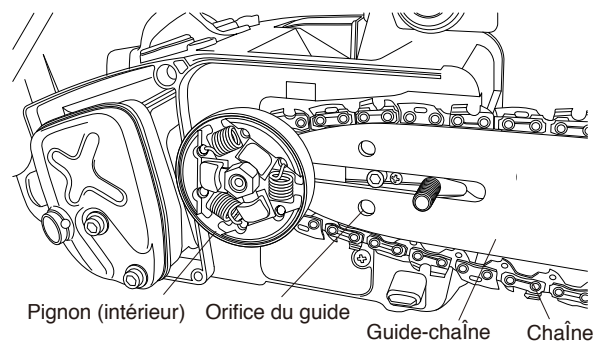
- Le contact avec la chaîne peut provoquer des lésions corporelles graves.

### COMMENT ÉVITER LE DANGER

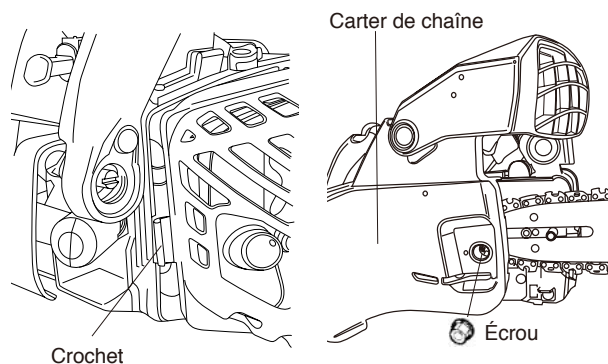
- Portez des gants de sécurité lorsque vous manipulez la scie à chaîne.
- Arrêtez toujours le moteur avant de réaliser l'une des opérations suivantes.

## MONTAGE DU GUIDE-CHAÎNE ET DE LA CHAÎNE

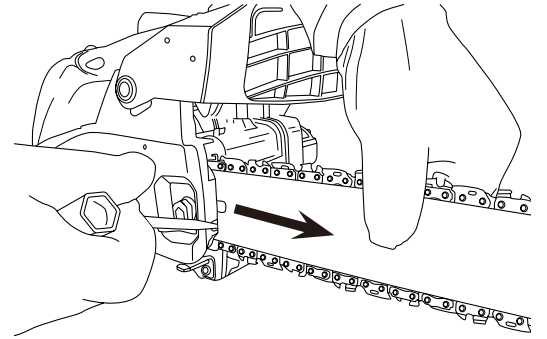
1. Assurez-vous que le frein de la chaîne est débloqué.  
Consultez la section « FREIN DE LA CHAÎNE ».
2. Dévissez l'écrou du guide-chaîne et retirez le carter de la chaîne.
3. Installez en premier lieu la chaîne sur le pignon dans le sens correct, puis insérez-la dans la rainure du guidechaîne.



4. Assurez-vous que le frein de la chaîne est débloqué.
5. Engagez la partie arrière du carter de la chaîne à l'aide du crochet situé sur le carter du moteur, et insérez le tendeur dans l'orifice du guide-chaîne. Réinstallez le carter de la chaîne dans le carter du moteur et serrez avec vos doigts l'écrou du guide-chaîne.



6. Pour tendre la chaîne, tournez la vis de réglage dans le sens horaire.



7. Vissez fermement l'écrou au moyen de la clé fournie tout en maintenant le nez guide-chaîne vers le haut.

[Couple de serrage]

1500 ~ 2000 N·cm (153 ~ 204kgf·cm)

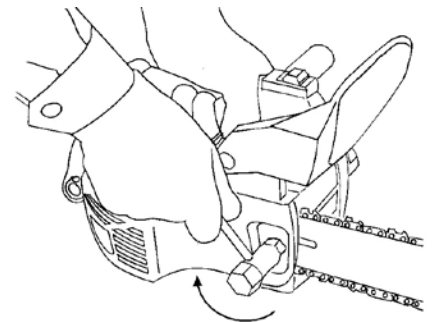
**Pour visser fermement l'écrou, utilisez la clé fournie en la prenant par la manche.**



Guide-chaîne  
La chaîne est fermement mise en place

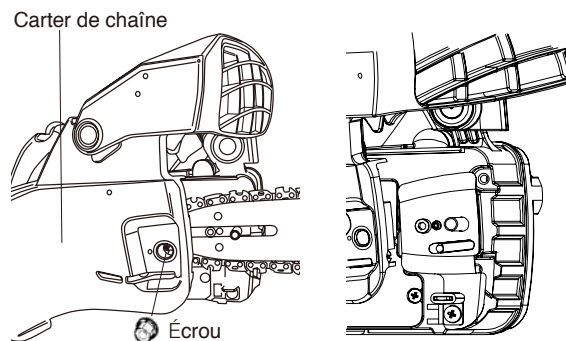


8. La chaîne est correctement tendue lorsqu'elle est fermement mise en place sur le guide-chaîne et qu'elle peut encore être étirée sur la longueur. Si nécessaire, rajustez-la en dévissant les écrous du guide-chaîne.

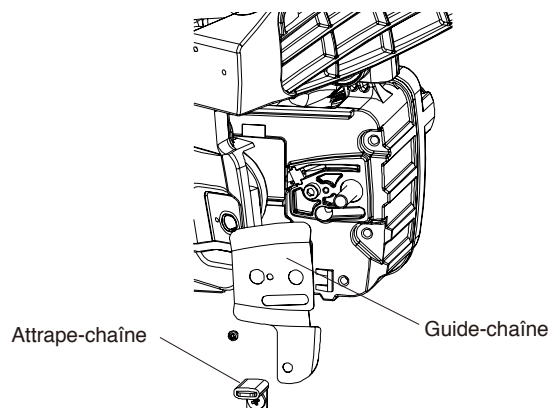


## **INSTALLATION DE LA GRIFFE D'ABATTAGE (EN OPTION)**

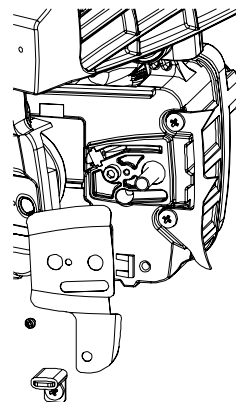
1. Assurez-vous que le frein de la chaîne est débloqué.  
Consultez la section « FREIN DE LA CHAÎNE ».
2. Dévissez l'écrou et retirez le carter de la chaîne.  
Retirez la chaîne et le guide-chaîne.



3. Retirez la vis du guide-chaîne.  
Retirez l'attrape-chaîne et le guide-chaîne.



4. Vissez la griffe d'abattage sur le carter du moteur avec 2 vis et serrez-les à 300 ~ 400N•cm (31 ~ 41kgf-cm).



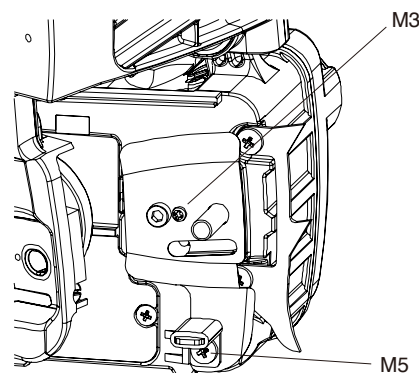
5. Fixez le guide-chaîne avec la vis correspondante (M3) et la vis de la griffe d'abattage (M5).

[Couple de serrage]

M3 : 80 ~ 120 N•cm (8,2 ~ 12,2kgf-cm)

M5 : 300 ~ 400N•cm (31 ~ 41kgf-cm)

6. Pour monter le guide-chaîne et la chaîne, reportez-vous à la section « MONTAGE DU GUIDE-CHAÎNE ET DE LA CHAÎNE ».



# MONTAGE POUR e-JUST

## ⚠ AVERTISSEMENT

### RISQUE POTENTIEL

- La chaîne est affûtée.

### QUE PEUT-IL SE PASSER

- Le contact avec la chaîne peut provoquer des lésions corporelles graves.

### COMMENT ÉVITER LE DANGER

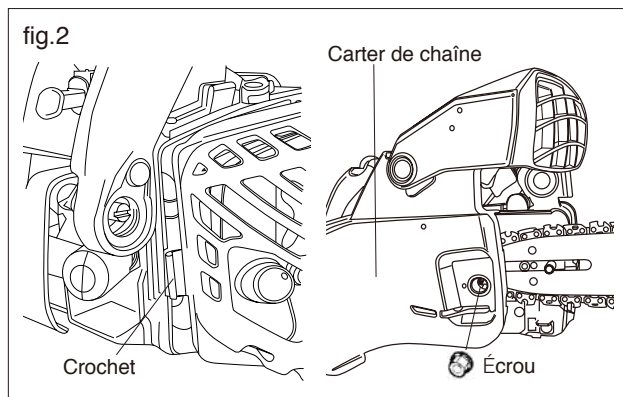
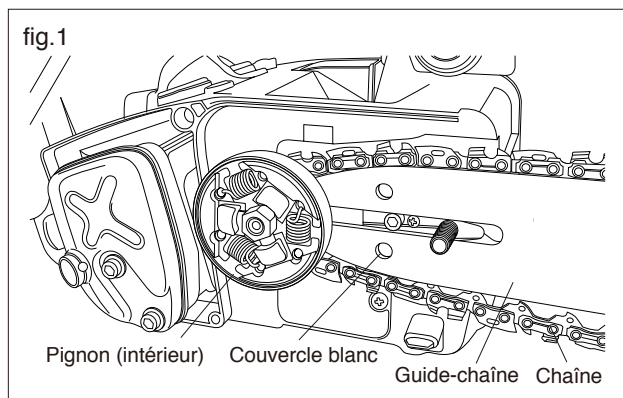
- Portez des gants lorsque vous manipulez la scie à chaîne.
- Arrêtez toujours le moteur avant de réaliser l'une des opérations suivantes.

## MONTAGE DU GUIDE-CHAÎNE ET DE LA CHAÎNE

Mécanisme de tension de chaîne bloquée par le protège-main avant (e-JUST).

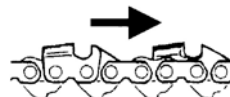


### ⟨INSTALLATION POUR e-JUST⟩

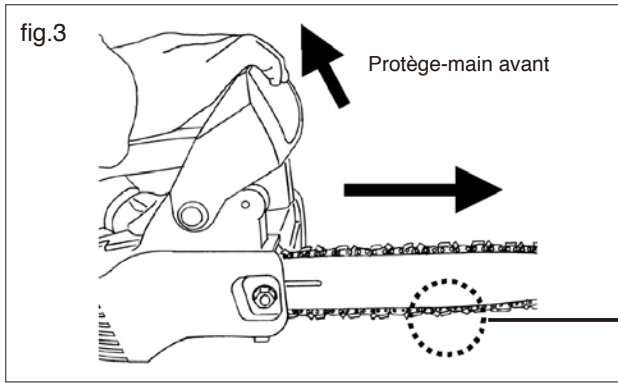


1. Assurez-vous que le frein de la chaîne est débloqué. Reportez-vous à la section « Frein de la chaîne ».
2. Dévissez l'écrou du guide-chaîne et retirez le carter de la chaîne (consultez la fig. 2).
3. En premier lieu, placez la chaîne sur le pignon dans le sens correct, puis insérez-la dans la rainure du guide-chaîne. Assurez-vous que le couvercle blanc du corps de l'appareil s'ajuste à l'orifice du guide-chaîne, fourni pour ajuster la tension (consultez la fig.1).

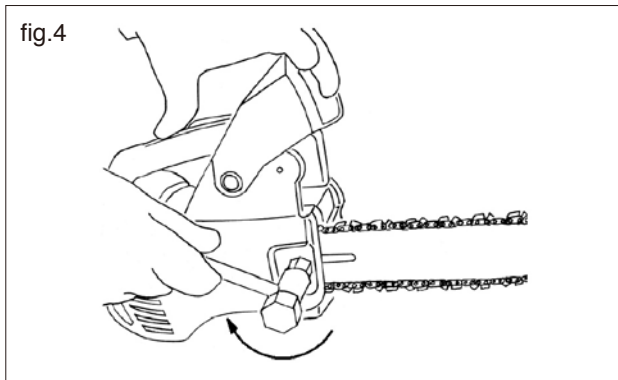
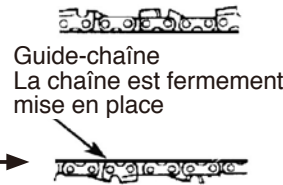
Direction de la chaîne



4. Engagez la partie arrière du carter de la chaîne à l'aide du crochet situé sur le carter du moteur, et insérez le tendeur dans l'orifice du guide-chaîne. Réinstallez le carter de la chaîne sur le carter du moteur et serrez avec vos doigts l'écrou du guide-chaîne (consultez la fig. 2).



5. Le guide-chaîne se déplace vers l'avant et tend la chaîne en tirant vers le haut le protège-main avant (consultez la fig. 3).



6. Tout en maintenant la position du protège-main avant et le nez du guide-chaîne vers le haut, vissez fermement l'écrou à l'aide de la clé fournie (consultez la fig. 4).

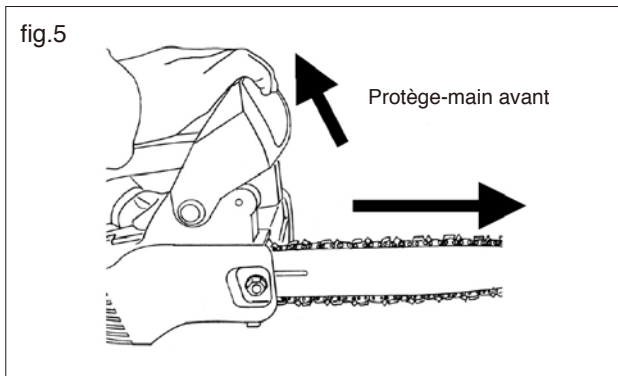
[Couple de serrage]

1500 ~ 2000N•cm {153 ~ 204kgf•cm}

**Pour visser fermement l'écrou, utilisez la clé fournie en la prenant par la manche (consultez la fig.4).**

## 〈RÉGLAGE DE LA CHAÎNE POUR e-JUST〉

Vérifiez fréquemment la tension de la chaîne. Si nécessaire, tendez-la de nouveau selon la procédure de réglage décrite ci-après. Faites-le plus fréquemment si vous venez d'installer une chaîne neuve. Les chaînes neuves peuvent s'étirer davantage lors de la première utilisation.



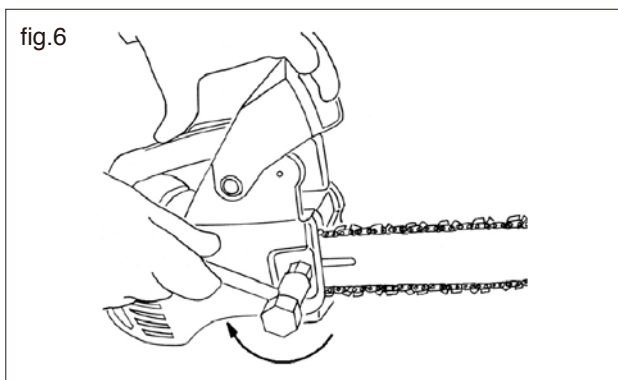
1. Dévissez l'écrou du guide-chaîne à l'aide de la clé fournie. Le guide-chaîne se déplace vers l'avant et tend la chaîne en tirant le protège-main avant vers le haut (consultez la fig. 5).

2. Vissez fermement l'écrou à l'aide de la clé fournie, tout en maintenant le nez du guide-chaîne vers le haut (consultez la fig 6).

[Couple de serrage]

1500 ~ 2000N•cm {153 ~ 204kgf•cm}

**Pour visser fermement l'écrou, utilisez la clé fournie en la prenant par la manche.**



3. La chaîne est correctement tendue si elle reste dans la partie inférieure du guide-chaîne et si elle tourne facilement à la main. Si nécessaire, dévissez les écrous du guide-chaîne et réajustez-la.

# AVANT D'UTILISER L'APPAREIL

## HUILE ET CARBURANT

### DANGER

#### RISQUE POTENTIEL

- Dans certaines conditions, l'essence est hautement inflammable et explosive.

#### QUE PEUT-IL SE PASSER

- Risque de brûlure à cause d'un incendie ou d'une explosion d'essence pouvant également entraîner des dégâts matériels.

#### COMMENT ÉVITER LE DANGER

- Muni d'un entonnoir, remplissez le réservoir à l'extérieur, lorsque le moteur est froid. Nettoyez le carburant renversé.
- Ne remplissez pas entièrement le réservoir à carburant. L'appoint en essence doit s'arrêter à 6 mm à 13 mm (1/4" à 1/2") de la partie inférieure du col de remplissage. Cet espace vide du réservoir permet l'expansion de l'essence.
- Ne fumez jamais en manipulant de l'essence. Restez éloigné d'une flamme nue ou des vapeurs de carburant susceptibles d'être allumées par une étincelle.
- Entrez le carburant dans un bidon homologué et gardez-le hors de la portée des enfants.
- N'achetez jamais du carburant pour une utilisation supérieure à 30 jours.

### AVERTISSEMENT

#### RISQUE POTENTIEL

- L'essence contient des gaz pouvant augmenter la pression à l'intérieur du réservoir de carburant.

#### QUE PEUT-IL SE PASSER

- Lorsque vous retirez le bouchon du réservoir, le carburant peut se projeter vers vous.

#### COMMENT ÉVITER LE DANGER

- Retirez le bouchon lentement pour éviter d'éventuelles lésions par projections de carburant.

## APPOINT EN ESSENCE

 **AVERTISSEMENT** Les précautions suivantes réduiront le risque d'incendie.

1. Ne fumez jamais en manipulant de l'essence.
2. Faites le mélange et le remplissage en essence à l'extérieur, à l'abri d'étincelles et de flammes.
3. Éteignez toujours le moteur avant l'appoint en essence. N'enlevez jamais le bouchon du réservoir de carburant lorsque le moteur est chaud ou immédiatement après l'avoir arrêté.
4. Ouvrez toujours le bouchon du réservoir lentement pour libérer la pression contenue à l'intérieur de celui-ci.
5. Ne remplissez pas le réservoir de façon excessive. Arrêtez de remplir à 6 mm – 13 mm (1/4-1/2 pouces) du col de remplissage.
6. Serrez avec précaution, mais fermement le bouchon du réservoir après l'appoint en carburant.

7. Nettoyez le carburant renversé avant de mettre le moteur en marche.
8. Avant de démarrer le moteur, éloignez la scie à chaîne de 3 m au moins du lieu d'appoint en carburant et du bidon d'essence.

### **Type d'huile recommandé**

Utilisez uniquement de l'huile de moteur deux temps conçue pour les moteurs deux temps à refroidissement par air et à haute performance.

La marque d'huile de moteur deux temps Maruyama est conçue pour les moteurs deux temps à refroidissement par air et à haute performance.

**IMPORTANT: N'utilisez aucune huile certifiée par l'Association de fabricants marins (National Marine Manufacturer's Association - NMMA) ou BIA. Ce type d'huile ne contient pas les additifs convenant aux moteurs deux temps à refroidissement par air et risque d'endommager le moteur.**

**N'utilisez pas d'huile moteur automobile. Ce type d'huile moteur ne contient pas les additifs convenant aux moteurs deux temps à refroidissement par air et risqué d'endommager le moteur.**

### **Type de carburant recommandé**

Utilisez de l'essence sans plomb propre et fraîche, y compris de l'essence oxygénée ou reformulée, avec un indice d'octanes égal ou supérieur à 85. Pour assurer la fraîcheur du carburant, achetez uniquement la quantité d'essence qui sera consommée durant 30 jours.

L'utilisation d'essence sans plomb prévient les dépôts dans la chambre de combustion et prolonge la vie de la bougie. Il n'est pas nécessaire ni recommandé d'utiliser du carburant de qualité supérieure.

### **Utilisation d'additifs de carburant**

**IMPORTANT: N'UTILISEZ JAMAIS DE MÉTHANOL, DE L'ESSENCE CONTENANT DU MÉTHANOL, DE L'ESSENCE-ALCOOL CONTENANT PLUS DE 10 % D'ÉTHANOL, DU SUPER, OU DE L'ESSENCE SANS PLOMB SOUS RISQUE D'ENDOMMAGER LE CIRCUIT D'ALIMENTATION DU MOTEUR.**

**N'UTILISEZ PAS D'ADDITIFS DE CARBURANT DIFFÉRENTS DE CEUX CONÇUS POUR LA STABILISATION DU CARBURANT LORS DE L'ENTREPOSAGE TELS QUE LE STABILISATEUR/ CONDITIONNEUR DE MARUYAMA, QUI EST UN DISTILLAT DE PÉTROLE.**

**MARUYAMA NE RECOMMANDE PAS L'UTILISATION D'UN STABILISATEUR À BASE D'ALCOOL TEL QUE L'ÉTHANOL, LE MÉTHANOL OU L'ISOPROPYL.**

**IL EST DÉCONSEILLÉ D'UTILISER LES ADDITIFS POUR ESSAYER D'AMÉLIORER LA PUISSANCE OU LA PERFORMANCE DE L'APPAREIL.**

### **Mélange huile/essence**

**IMPORTANT: Cette scie à chaîne est équipée d'un moteur deux temps. Utilisez une huile mélangée à l'essence pour lubrifier les pièces internes en mouvement du moteur, à savoir les paliers, les coussinets de pied de bielle et les surfaces de contact du piston avec la paroi du cylindre.**



Un mélange essence-huile inapproprié ou disproportionné endommagera gravement le moteur et vous fera perdre vos droits de garantie.

Pour le mélange, utilisez uniquement une huile de qualité conçue pour moteurs deux temps à refroidissement par air. L'huile Maruyama 50:1 pour moteurs deux temps est conçue pour répondre aux exigences de moteurs à refroidissement par air et à haute performance.

## **Mélange de carburant**

Le carburant : le rapport est 50 parts d'essence pour 1 part d'huile ou 50 :1.



**Remarque : N'utilisez jamais un rapport de mélange inférieur à 50 :1 indépendamment des instructions de mélange figurant sur le conditionnement extérieur du bidon d'huile. Un rapport inférieur à 50:1, (par exemple, 60:1, 80:1, 100:1) réduit la quantité de lubrification des pièces internes en mouvement du moteur et risque d'endommager l'appareil.**

## **Table de mélange de carburant**

Essence	Huile pour moteur deux temps 50:1
1 gallon	2,6 oz.
2 gallons	5,1 oz.
5 gallons	12,8 oz.

1 litre	20ml
5 litre	100ml

## **Instructions pour préparer le mélange**

**IMPORTANT : Ne faites jamais le mélange essence/huile directement dans le réservoir de la scie à chaîne.**

1. Mélangez toujours le carburant et l'huile dans un récipient propre approuvé pour l'essence.
2. Marquez le bidon pour l'identifier comme mélange de carburant pour la scie à chaîne.
3. Remplissez le récipient d'essence sans plomb ordinaire jusqu'à la moitié de la quantité d'essence nécessaire.
4. Ajoutez la quantité correcte d'huile, puis le reste d'essence.
5. Fermez le bidon et secouez-le énergiquement pour mélanger l'huile et l'essence avant de faire le plein du réservoir à essence de la scie à chaîne.
6. Avant de faire le plein du réservoir de la scie à chaîne, nettoyez le pourtour du bouchon afin d'éviter que des débris ou des impuretés n'y entrent au moment de son dévissage.
7. Secouez énergiquement le bidon de mélange de carburant/huile avant de faire le plein.
8. Utilisez toujours un bec verseur ou un entonnoir lors du plein pour éviter tout déversement.
9. Remplissez le réservoir en laissant un espace d'environ 10 ~ 20 mm (1/4-1/2 pouces) en haut du réservoir. Ne remplissez pas la partie supérieure du col de remplissage.

# PROCÉDURES DE DÉMARRAGE ET D'ARRÊT

## ⚠ AVERTISSEMENT

- Activez le frein de la chaîne avant d'allumer le moteur.

## ⚠ PRÉCAUTION

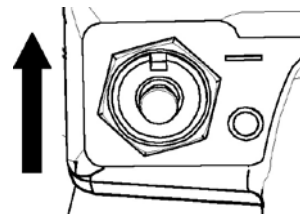
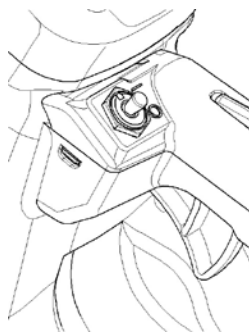
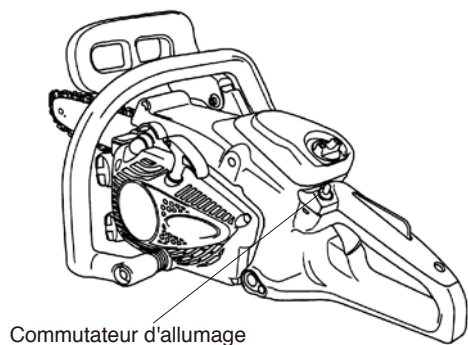
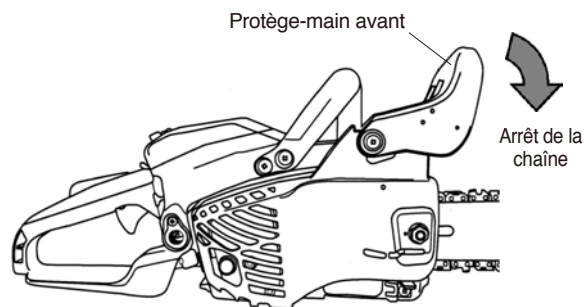
- Afin d'éviter de surchauffer le carter ou d'endommager l'embrayage, n'augmentez pas la vitesse du moteur si le frein de la chaîne est enclenché.

### **AVANT D'ALLUMER LE MOTEUR**

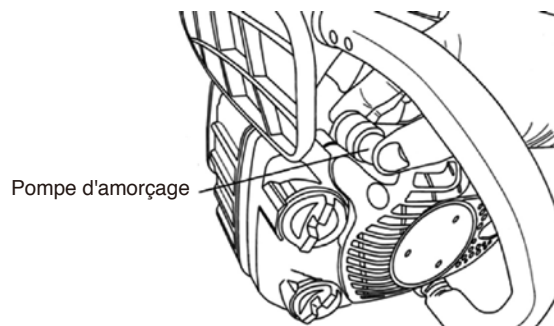
1. Faites l'appoint en carburant tel qu'indiqué à la section "Avant d'utiliser l'appareil" du présent manuel.
2. Placez la scie à chaîne au sol.
3. Assurez-vous qu'il n'y ait pas de débris de verre, de pointes, de fil de fer, de cailloux ou d'autres résidus à proximité.
4. Maintenez éloignés les passants, enfants et animaux de la zone de travail.

### **PROCÉDURE DE DÉMARRAGE À FROID**

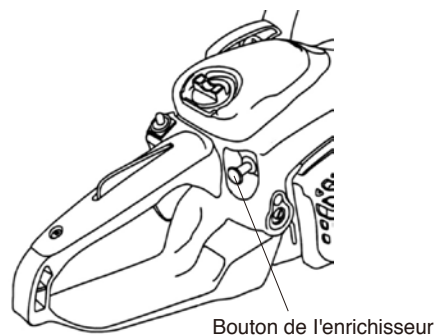
1. Bloquez la chaîne en poussant vers l'avant le protège-main avant. Avant de démarrer la scie à chaîne, activez toujours le frein de la chaîne.
2. Faites glisser le commutateur d'allumage, situé à l'avant de la poignée arrière, jusqu'à la position "Start" ("—").



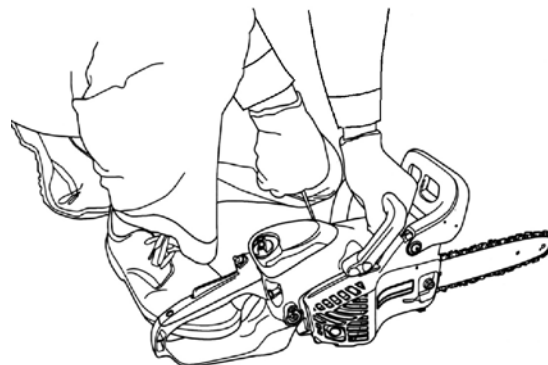
3. Poussez la pompe d'amorçage jusqu'à ce que le carburant arrive dans celle-ci (5-6 fois).



4. Étirez entièrement le bouchon de l'enrichisseur. La valve de l'enrichisseur se ferme et la gâchette de l'accélérateur retourne en position "Start".



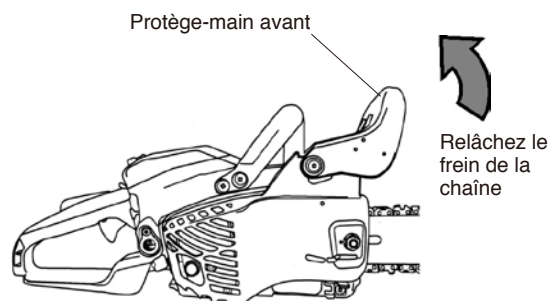
5. Placez la scie à chaîne au sol et, avec la main gauche, saisissez fermement la poignée avant. Posez votre genou droit au sol, puis tirez la poignée du démarreur avec la main droite.



6. Si le moteur cale après le premier essai, appuyez sur le bouton de l'enrichisseur pour le remettre dans sa position initiale et tirez de nouveau la poignée du démarreur.

7. Une fois le moteur allumé, tirez et relâchez immédiatement la gâchette de l'accélérateur pour retourner en position de ralenti.

8. Une fois le moteur allumé, tirez le protège-main avant pour relâcher le frein de la chaîne. N'augmentez pas la vitesse du moteur si le frein de la chaîne est activé. Les carters risquent de se surchauffer et l'embrayage s'endommager.



9. Si le moteur cale à basse vitesse, consultez la section "RÉGLAGE DU CARBURATEUR" de la maintenance régulière.

## **REDÉMARRAGE À CHAUD**

Pour démarrer le moteur qui est déjà chaud (redémarrage à chaud), ou si la température ambiante dépasse 20 °C :

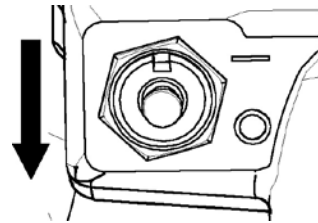
1. Faites glisser le commutateur d'allumage, qui est situé à l'avant de la poignée arrière, jusqu'à la position "Start".
2. Poussez la pompe d'amorçage jusqu'à ce que le carburant arrive dans celle-ci (5-6 fois).  
Il n'est pas nécessaire de pousser la pompe pour redémarrer le moteur à chaud si le réservoir contient suffisamment de carburant.
3. Tirez la poignée du démarreur.
4. Si le moteur ne démarre après trois ou quatre essais, suivez les instructions à la section ci-dessus "Procédure de démarrage à froid"

Si le moteur ne s'allume pas après avoir suivi les procédures mentionnées, contactez le distributeur MARUYAMA agréé.

- REMARQUE:**
1. N'étirez pas la corde du démarreur entièrement.
  2. Relâchez la corde du démarreur progressivement lorsqu'elle est entièrement étendue.

## **POUR ARRÊTER LE MOTEUR**

1. Relâchez la gâchette de l'accélérateur.
2. Faites glisser l'interrupteur "Stop" jusqu'à la position "Stop" ("O").

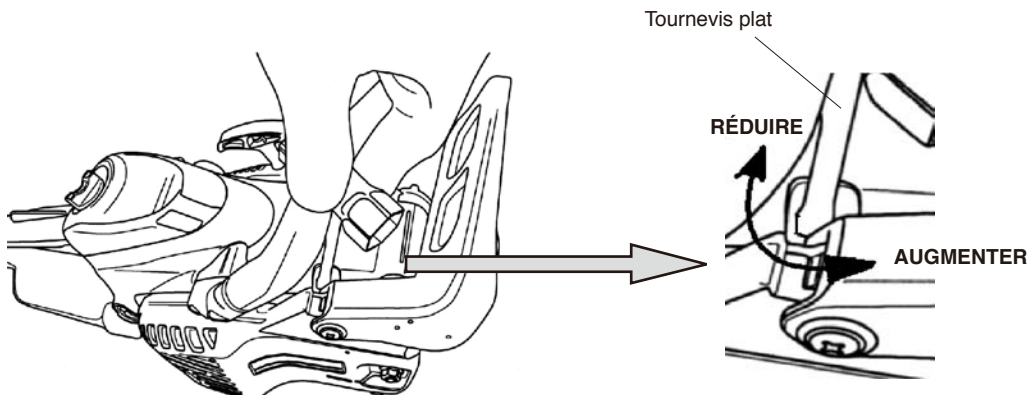


**Remarque:** Si le moteur ne s'arrête pas dans la position "O", tirez le "BOUTON DE L'ENRICHISSEUR" pour l'arrêter. Si la chaîne continue à tourner après que vous avez tiré le bouton de l'enrichisseur, lorsque le moteur est en fonctionnement, faites immédiatement réviser la scie à chaîne auprès d'un distributeur agréé.

# RÉGLAGE DU GRAISSEUR

## TEST DE GRAISSAGE DE LA CHAÎNE

1. Soutenez la chaîne sur une surface sèche.
2. Ajustez l'accélérateur à la moitié.
3. De l'huile devrait apparaître sur la surface.



Pour augmenter le volume de déplacement, faites tourner la vis de réglage dans le sens anti-horaire.

## RÉGLAGE DE LA CHAÎNE

Si votre scie à chaîne est dotée du mécanisme de tension e-just, reportez-vous à la section « RÉGLAGE DE LA CHAÎNE POUR e-JUST ».

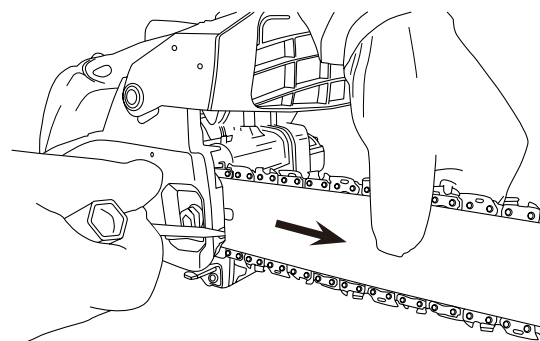
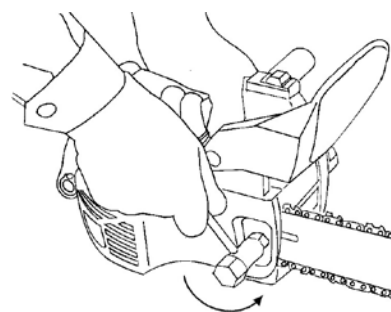
1. Assurez-vous que le frein de la chaîne est relâché.
2. Dévissez l'écrou dans le sens anti-horaire en utilisant la clé fournie, puis vissez l'écrou avec vos doigts.
3. Pour augmenter la tension de la chaîne, faites tourner la vis de réglage dans le sens horaire.
4. Vissez fermement la vis à l'aide de la clé fournie, tout en maintenant le nez du guide-chaîne vers le haut.

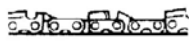
[Couple de serrage]

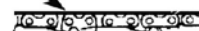
1500 ~ 2000 N·cm (153 ~ 204kgf·cm)

**Pour visser fermement l'écrou, utilisez la clé fournie en la prenant par la manche.**

5. La chaîne est correctement tendue lorsqu'elle est fermement mise en place sur le guide-chaîne et qu'elle peut encore être étirée sur la longueur. Si nécessaire, rajustez-la en dévissant les écrous du guide-chaîne.



  
Guide-chaîne  
La chaîne est fermement mise en place



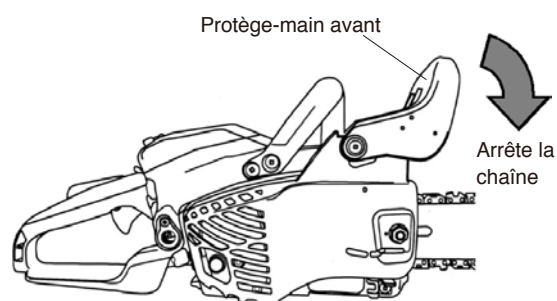
# FREIN DE LA CHAÎNE

## ⚠ PRÉCAUTION

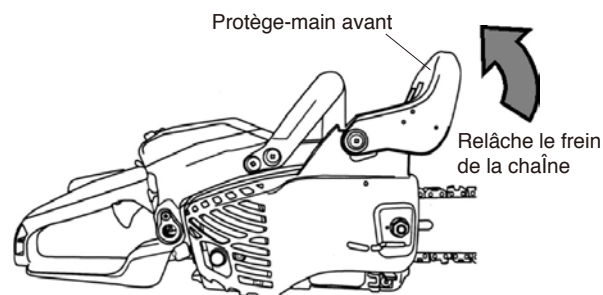
- Avant de démarrer la scie à chaîne, vérifiez le fonctionnement du frein de la chaîne. Si le frein ne fonctionne pas correctement, faites réviser la scie auprès du centre de maintenance local.
- Le blocage du frein dû au rebond entraîne l'arrêt de la chaîne. Relâchez immédiatement l'accélérateur afin de ne pas endommager le moteur ou l'embrayage. N'utilisez pas le moteur si le frein est activé.

- Le frein de la chaîne est le dispositif qui, dans une situation de rebond, arrête la rotation de la chaîne s'il est activé.

- Lorsque vous poussez vers l'avant le protège-main avant, le frein de la chaîne s'active immédiatement pour arrêter la rotation.



- Lorsque le protège-main avant est entièrement poussé vers la poignée, le frein se relâche.

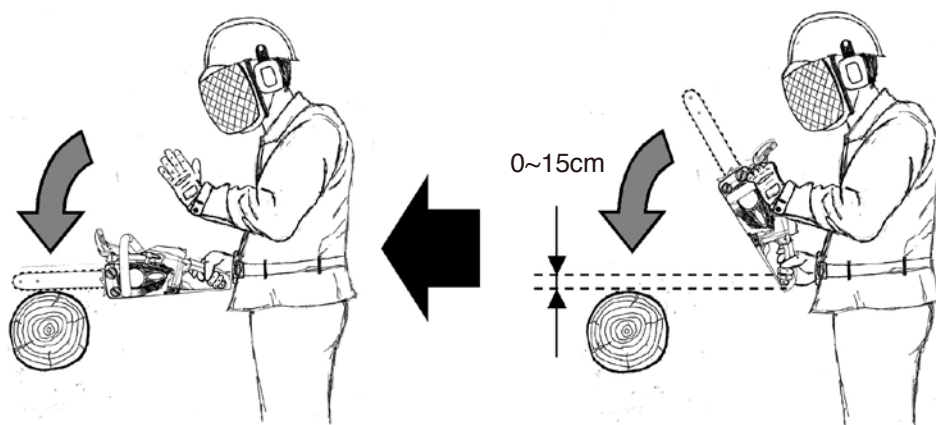


## VÉRIFICATION DU FONCTIONNEMENT DU FREIN

1. Placez la scie à chaîne au sol.
2. Prenez la poignée avec les deux mains et à l'aide de la gâchette d'accélérateur, mettez le moteur à pleins gaz.
3. Faites fonctionner le frein de la chaîne en tournant votre poignée gauche vers le protège-main avant, et en saisissant à la fois la poignée avant.
4. La chaîne s'arrêtera immédiatement.
5. Relâchez la gâchette d'accélérateur.
6. Si le frein de la chaîne ne fonctionne pas correctement, faites réviser la scie auprès de votre centre de maintenance local.

## VÉRIFICATION NON MANUELLE DU FREIN DE LA CHAÎNE

1. Arrêtez le moteur de la scie à chaîne.
2. Utilisez les poignées avant et arrière, de façon à placer la scie à une hauteur comprise entre 0 et 15 cm, tel qu'illustré ci-dessous.
3. Relâchez lentement la main gauche de la poignée avant, puis touchez avec l'extrémité du guide-chaîne un tronc ou similaire situé en dessous, de sorte que l'appareil reçoive un impact. Ne lâchez pas la poignée arrière.
4. Le frein devrait s'activer lorsque le guide-chaîne touche le tronc.
5. Si le frein de la chaîne ne fonctionne pas correctement, faites réviser la scie auprès de votre centre de maintenance local.





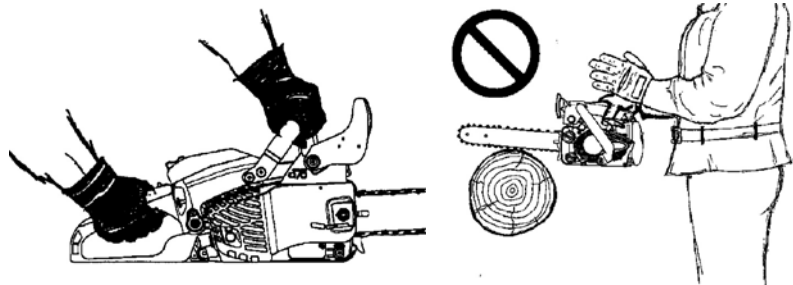
# INSTRUCTIONS DE COUPE

## ⚠ PRÉCAUTION

- Lisez les instructions de sécurité à la page 13 relatives à l'utilisation appropriée de la scie à chaîne.
- Lors de l'utilisation de la scie à chaîne, portez toujours des gants et des vêtements de protection.
- Seuls les techniciens avertis doivent couper des arbres, surtout ceux de grand diamètre, situés en pente ou sur un terrain instable. Avant d'essayer de couper un arbre, demandez conseil à un expert.
- Avant d'essayer de couper un arbre, entraînez-vous en coupant de petits troncs ou des branches.
- Appliquez une légère pression pendant que le moteur tourne à pleins gaz de façon constante.
- Si la chaîne est bien affûtée, vous devriez pouvoir couper sans effort, sinon changez la chaîne ou affûtez-la.
- Si la scie à chaîne se bloque pendant l'opération de coupe, arrêtez le moteur et insérez un coin pour la retirer.
- Ne permettez pas l'utilisation de l'appareil à une personne qui n'a pas lu attentivement le manuel et assimilé l'intégralité de ses instructions.
- Utilisez la scie à chaîne uniquement pour couper du bois ou des produits à base de ce matériau.

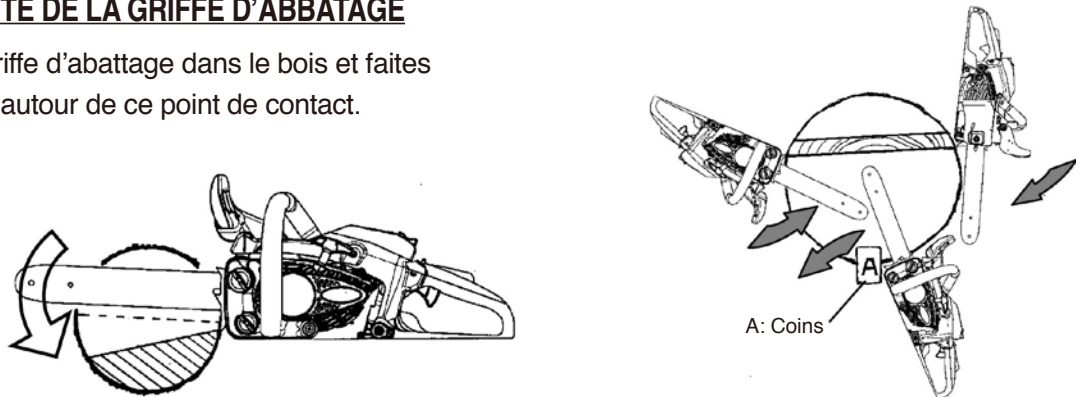
### COMMENT EMPOIGNER LA SCIE À CHAÎNE

Empoignez fermement la scie à chaîne avec les deux mains : la poignée arrière avec la main droite, et la poignée avant avec la gauche.



### UTILISATION CORRECTE DE LA GRIFFE D'ABBATAGE

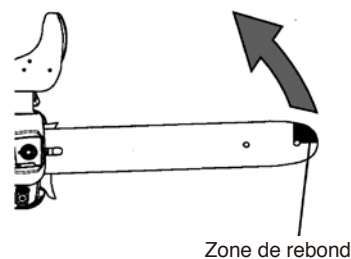
Insérez fermement la griffe d'abatage dans le bois et faites pivoter la scie à chaîne autour de ce point de contact.



### PRÉCAUTION DE SÉCURITÉ - REBOND

#### **PHÉNOMÈNE DU REBOND:**

Si le quart supérieur de l'extrémité du guide-chaîne touche un objet quelconque, la scie à chaîne peut rapidement rebondir en arrière en direction de l'utilisateur. Ne coupez pas de branches avec le nez du guide-chaîne.



## DANGER

### RISQUE POTENTIEL

- Le rebond se produit lorsque le nez ou l'extrémité du guide-chaîne touche un objet.

### QUE PEUT-IL SE PASSER

- Si le quart supérieur de l'extrémité du guide-chaîne touche un objet, la scie à chaîne peut rapidement rebondir en arrière en direction de l'utilisateur.

### COMMENT ÉVITER LE DANGER

- Empoignez fermement la scie à chaîne des deux mains.
- Commencez à couper et continuez à plein régime.
- Ne coupez pas de branches avec le nez du guide-chaîne.
- Ne coupez pas à bout de bras.
- Coupez uniquement un tronc à la fois.
- Ne coupez pas plus haut que la poitrine.  
À une hauteur supérieure, il est difficile de contrôler la scie à chaîne.
- Redoublez de prudence lorsque vous devez retravailler sur une coupe existante.
- Coupez à tout moment avec une chaîne bien affûtée et tendue de façon appropriée.
- Les limiteurs de profondeur sont cruciaux pour travailler en toute sécurité avec la chaîne.
- Utilisez un type de chaîne à faible rebond.

### AVERTISSEMENT

Il est important d'affûter la chaîne avec une profondeur et un angle corrects. Une réduction ou un affûtage incorrects des limiteurs de profondeur peut augmenter le risque de lésions par rebond.

**TRACTION:** Se produit lorsque la chaîne s'arrête soudainement dans la partie inférieure du guide-chaîne quand elle se bloque ou se prend dans le bois.

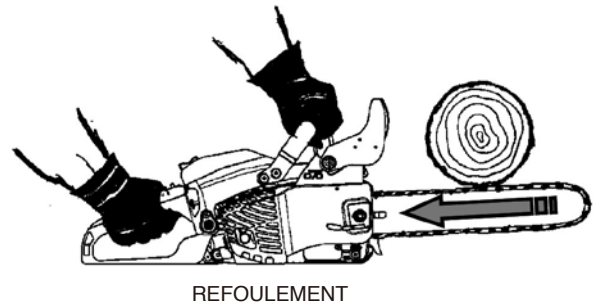
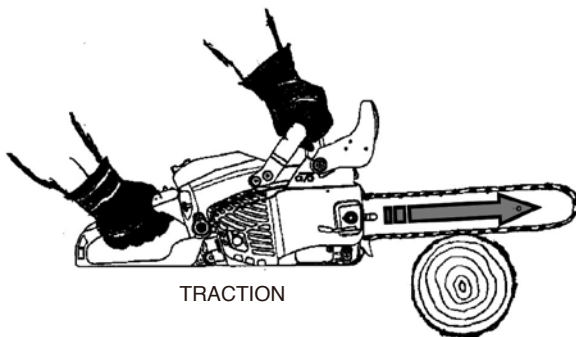
La scie est propulsée vers l'avant.

Coupez toujours en maintenant la griffe d'abattage contre le bois.

**REFOULEMENT:** Se produit lorsque la chaîne s'arrête brusquement dans la partie supérieure du guide-chaîne quand elle se bloque ou se prend dans le bois.

La chaîne est projetée directement en arrière en direction de l'utilisateur.

Surveillez la coupe et le tronc pour éviter tout mouvement susceptible de bloquer la chaîne.



**SAUT:** Se produit lorsque la chaîne touche le bois.

La chaîne rebondit sur le bois.

Empoignez fermement la scie à chaîne des deux mains. Appliquez uniquement une légère pression pendant que le moteur tourne à plein régime de façon constante.

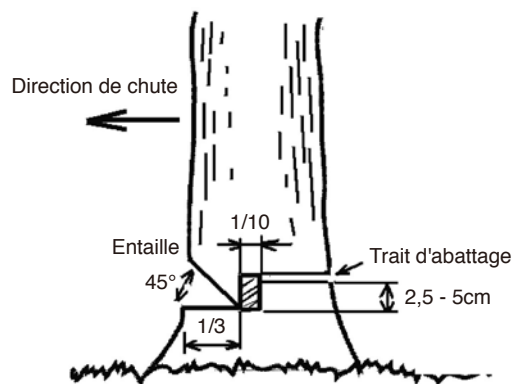
## COUPE D'ARBRES

### ⚠ DANGER

- Plusieurs facteurs sont susceptibles d'affecter la direction de chute prévue. Redoublez de prudence face à un éventuel changement de direction pendant la chute de l'arbre.

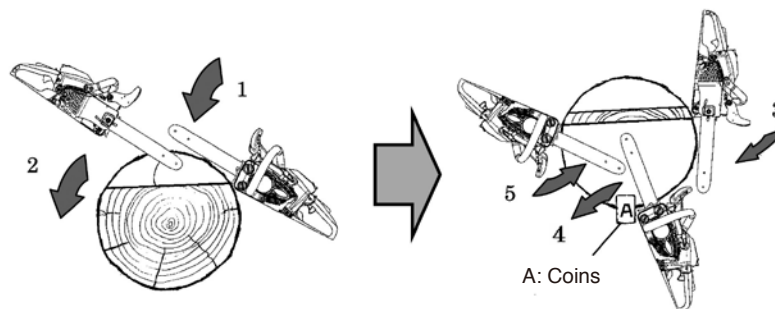
### ⚠ PRÉCAUTION

- Si la scie à chaîne commence à se bloquer lors du trait d'abattage, insérez un coin pour ouvrir la coupe et la retirer.
- Avant de couper un arbre, considérez soigneusement tous les facteurs pouvant affecter la direction de chute : l'inclinaison de l'arbre, la nature du terrain (pente), le vent, la structure du bois.
  - Avant la coupe, nettoyez la zone autour de l'arbre. Au travail, prenez de bons appuis, et planifiez un chemin de fuite.
1. Pratiquez une entaille du côté de chute prévu.
    - Coupez jusqu'à une profondeur de  $\frac{1}{3}$  du diamètre du tronc.
    - Retirez la pièce résultante de  $45^\circ$ .
  2. Coupez horizontalement de l'autre côté du tronc et environ à 5 cm au-dessus du plan horizontal de l'entaille (trait d'abattage).
    - Le bois restant entre l'entaille et le trait d'abattage agira comme charnière lors de la chute de l'arbre, en le guidant dans la direction souhaitée.
  3. Lorsque l'arbre commence à tomber, arrêtez le moteur, placez la scie à chaîne au sol et retirez-vous rapidement.



## COUPE D'ARBRES DE GRANDES DIMENSIONS

- Pour couper un arbre dont le diamètre est le double de la longueur du guide-chaîne, pratiquez les entailles d'un côté, puis retirez la scie à chaîne de l'autre côté du tronc (à l'opposé de l'entaille).
- Placez le trait d'abattage sur un côté de l'arbre avec la griffe d'abattage en place, en faisant pivoter la scie à partir de la charnière souhaitée de ce côté.
- Retirez ensuite la scie à chaîne de la seconde coupe.
- Insérez délicatement la scie à chaîne dans la première coupe pour éviter un effet de rebond.
- La coupe finale est pratiquée en enfonçant la scie dans la coupe jusqu'à atteindre la charnière.



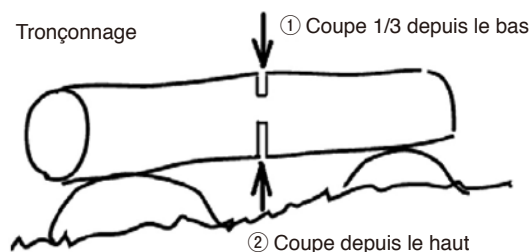
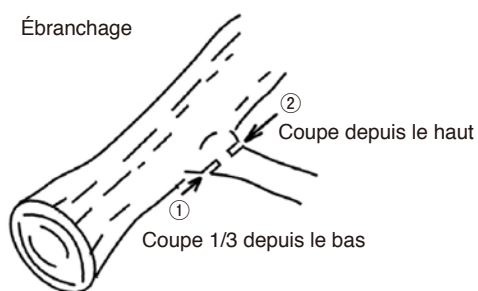
## ÉBRANCHAGE ET TRONÇONNAGE

### ⚠ PRÉCAUTION

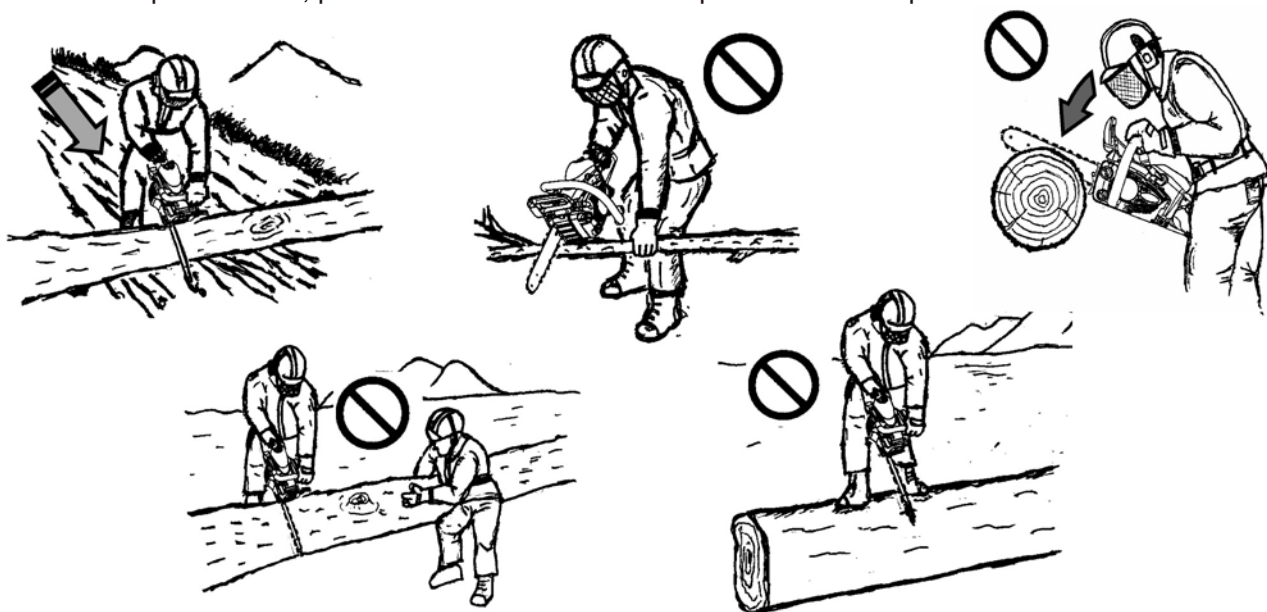
- Ne coupez pas plus haut que vos épaules.
- Empoignez toujours la scie à chaîne des deux mains.
- Si vous travaillez en pente, situez-vous dans la partie ascendante du tronc.
- Ne coupez pas de bois soutenu par une autre personne.
- N'approchez pas la scie à chaîne à votre corps.
- Ne coupez pas depuis une échelle. Cela est très dangereux, car l'échelier peut glisser et vous faire perdre le contrôle de la scie.
- Si vous êtes dans un arbre, n'utilisez jamais la scie à chaîne sans corde ni harnais.

#### ⚠ AVERTISSEMENT

N'exercez pas de pression sur la scie à chaîne lorsque vous arrivez en fin de coupe. La pression pourrait faire rebondir le guide-chaîne et la scie de la coupe ou de l'entaille, vous faire perdre le contrôle de l'appareil et heurter, vous-même ou un autre objet. Si la chaîne en rotation touche un objet, elle risque de vous percuter.



- Au travail, maintenez toujours une bonne prise.
- Pendant l'ébranchage, utilisez le fond du guide-chaîne. Si l'extrémité du guide-chaîne touche du bois, celui-ci rebondit immédiatement.
- Le tronçonnage consiste à couper un tronc ou un arbre tombé en morceaux plus petits.
- Avant de couper un tronc, pensez d'abord à l'ordre des opérations de coupe.



# MAINTENANCE DE LA SCIE À CHÂÎNE

Ci-dessous est dressée une liste de dispositifs de coupe recommandés pour les modèles de scies à chaîne Maruyama MCV31R.

L'équipement d'alimentation électrique, le guide-chaîne et la chaîne de coupe ont été testés et satisfont les exigences en matière de rebond et de vibration selon la norme ANSI B175.1-2000.


Le rayon du nez du guide-chaîne est déterminé soit par le nombre maximal de dents sur le pignon de renvoi, soit par le rayon de nez maximal correspondant à un guide-chaîne massif.

La liste suivante détaille les recommandations de Maruyama. Il doit exister d'autres associations disponibles assurant également la réduction du rebond.

Cette liste contient les rayons maximum de nez de guide-chaîne. Vous pouvez utiliser un guide-chaîne ayant un rayon de nez inférieur à ceux de notre liste. Pour des guide-chaîne de même longueur, tous les guide-chaîne de nez à roue dentée d'un pas (pitch) identique et ayant le même nombre de dents peuvent être considérés comme ayant des valeurs énergétiques de rebond équivalentes.

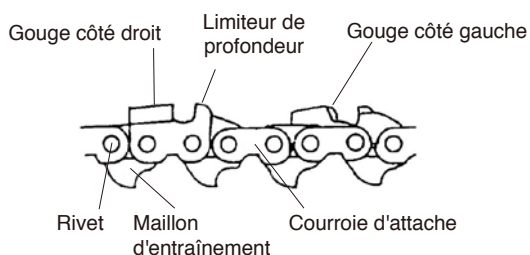
Pour remplacer la chaîne, identifiez le type de chaîne avec la marque des maillons-guide.

**Les combinaisons suivantes peuvent être utilisées sur votre MCV31R.**

CHAÎNE DE COUPE À FAIBLE REBOND					
Type de chaîne	N° de réf. de la chaîne	Nombre de maillon-guide	Pas (pitch)	Jauge	Marque du maillon-guide
Oregon 91PX	91PX045E 91PX052E	45 (guide de 12 pouces) 52 (guide de 14 pouces)	9,53 mm (3/8 po.)	1,27 mm (0,050 po.)	

GUIDE-CHAÎNE À FAIBLE REBOND					
Type de guide	N° de réf. du guide	Longueur	Pas (pitch)	Épaisseur des maillons-guide	Nombre maximum de dents sur le pignon de renvoi
Oregon Double Guard	120SDEA041 140SDEA041	12 pouces 14 pouces	9,53 mm (3/8 po.)	1,27 mm (0,050 po.)	7

Lime ronde	φ4,0 mm(5/32 pouces)
------------	----------------------



**Une chaîne est considérée comme étant à faible rebond lorsqu'elle répond aux spécifications de la norme ANSI B 175.1-2000 (révision actuelle de la norme) (Norme Nationale Américaine pour outils motorisés –Scies à chaîne à essence- Prescriptions de sécurité). Les tests ont été effectués sur des échantillons de scies à chaîne de moins de 3,8 cc, conformément aux directives de la norme ANSI B 175.1-2000 (révision actuelle de la norme).**

## AFFÛTAGE

### ⚠ AVERTISSEMENT

- Arrêtez le moteur avant d'affûter la chaîne.
- Portez toujours des gants lorsque vous manipulez la chaîne.
- Il est important d'affûter la chaîne avec un angle et une profondeur adéquats. En cas d'affûtage excessif ou incorrect, les limiteurs de profondeur peuvent augmenter le risque de blessure par rebond.

### Affûtage

La chaîne de coupe doit être affûtée une fois par jour.

1. Bloquez la chaîne.
2. La chaîne est équipée de gouges alternatives sur les côtés droit et gauche. Affûtez-les toujours depuis l'intérieur vers l'extérieur.
3. Maintenez la lime en angle vis-à-vis de l'angle d'attaque du plateau de la gouge.
4. Maintenez la lime horizontalement.

### Réglage du limiteur de profondeur

Le limiteur de profondeur détermine l'épaisseur des copeaux de bois produits et doit être entretenu correctement pendant toute la durée de vie utile de la chaîne.

Au fur et à mesure que la longueur des gouges diminue, l'hauteur du limiteur de profondeur est modifiée et doit donc être réduite.

1. Placez le limiteur de profondeur et limez toutes les parties qui dépassent.
2. Arrondissez la partie frontale du limiteur de profondeur pour permettre une coupe homogène.
3. Maintenez affûté le bord inférieur du maillon d'entraînement (le maillon d'entraînement sert à retirer la sciure de la rainure du guide-chaîne).

### GUIDE-CHAÎNE

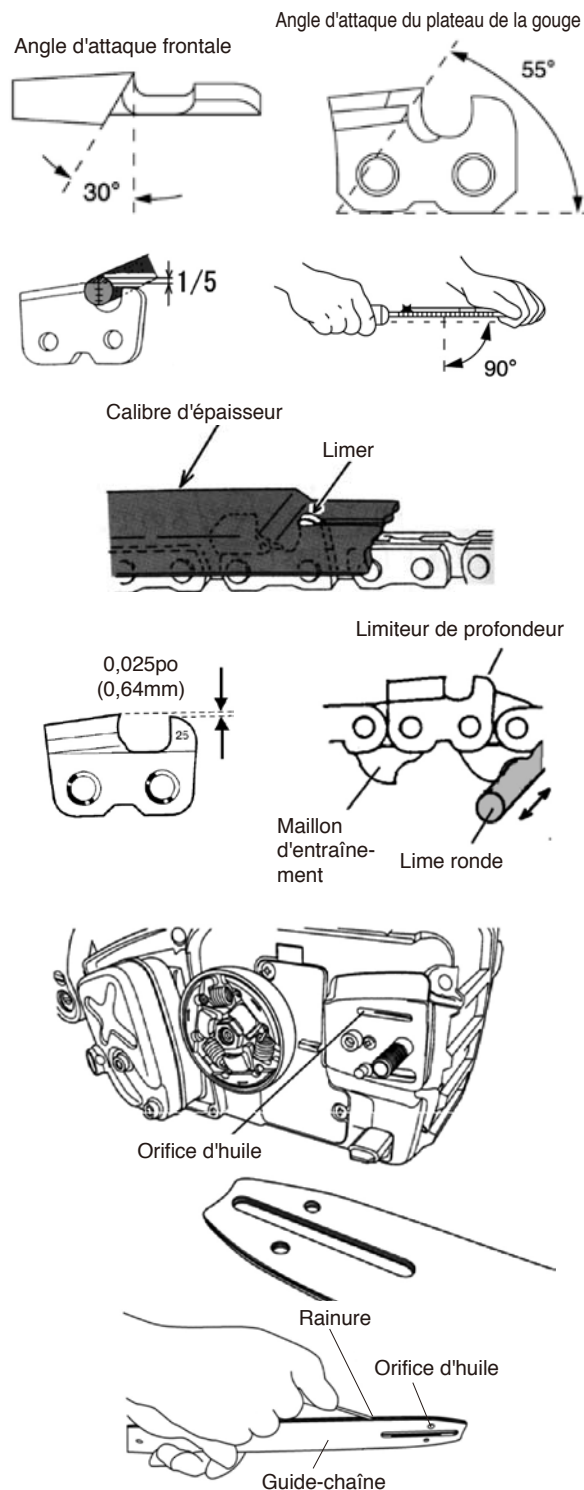
- Nettoyez le guide-chaîne avant de l'utiliser Nettoyez la rainure du guide-chaîne avec un petit tournevis ou un fil de fer.

Nettoyez les orifices d'huile avec un fil de fer.

- Renversez périodiquement le guide-chaîne.
- Révisez le pignon et l'embrayage.
- Avant d'installer le guide-chaîne, nettoyez la zone de montage.

**REMARQUE :** Utilisez un type de chaîne approprié à faible rebond.

Lorsque vous allez changer le guide-chaîne ou la chaîne, consultez votre distributeur local MARUYAM agréé.





# MAINTENANCE RÉGULIÈRE

Toute personne ou établissement de réparations peut effectuer les opérations de maintenance, de remplacement ou de réparation des systèmes et dispositifs de contrôle d'émissions ; toutefois, les réparations sous garantie doivent être réalisées par un distributeur ou centre de services agréé par Maruyama Manufacturing Company, Inc. L'utilisation de pièces non homologuées peuvent compromettre l'efficacité du système de contrôle des émissions en termes de performance et de durabilité et réduire les droits de garantie.

## **⚠ AVERTISSEMENT**

- Éteignez le moteur avant d'affûter la chaîne.
- Portez toujours des gants lorsque vous manipulez la chaîne.
- Lors du changement du guide-chaîne ou de la chaîne, utilisez un type de chaîne approprié à faible rebond.
- Ne modifiez jamais une scie à chaîne par vos propres moyens. Bien que des accessoires non homologués puissent être utilisés avec la scie à chaîne, leur utilisation peut s'avérer très dangereuse.

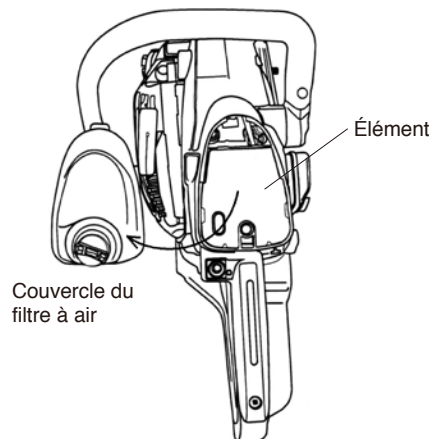
## **FILTRE À AIR**

### **Intervalle de maintenance**

- Le filtre à air doit être nettoyé **quotidiennement**, ou plus fréquemment si vous travaillez dans des conditions très poussiéreuses.
- Changez-le toutes les **100 heures** de fonctionnement.

### **Nettoyage du filtre à air**

1. Retirez le couvercle du filtre à air de la scie à chaîne.
2. Retirez l'élément du couvercle du filtre à air.
3. Nettoyez l'élément avec une brosse ou de l'air comprimé.
4. Montez de nouveau l'élément et le couvercle du filtre à air.

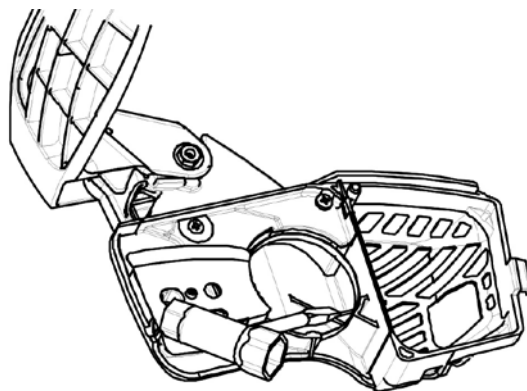


## **CARTER DE LA CHAÎNE**

### **Intervalle de maintenance**

- Le carter de la chaîne doit être nettoyé quotidiennement, ou plus fréquemment si vous travaillez dans des conditions très poussiéreuses.
- Le frein de la chaîne doit être nettoyé s'il ne fonctionne pas correctement.
- Avant de monter le carter de la chaîne, nettoyez la zone de montage du guide-chaîne.

**IMPORTANT:** Si le frein de la chaîne ne fonctionne pas correctement après l'avoir nettoyé, faites réviser la scie auprès de votre centre de maintenance local.





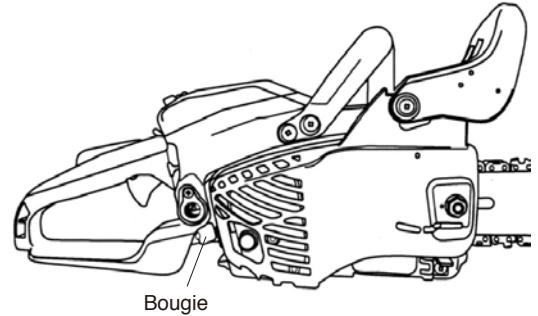
## **BOUGIE**

### **Intervalle de maintenance**

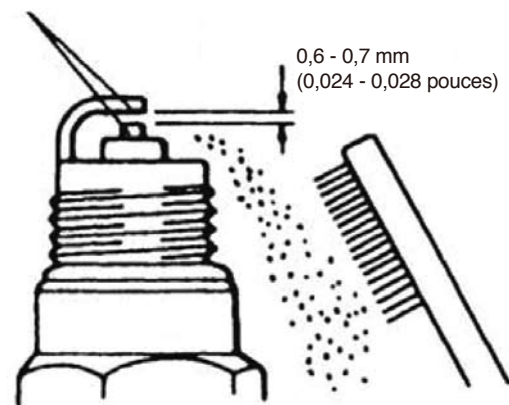
- Vous devez retirer et réviser la bougie du moteur toutes les **25 heures** de fonctionnement.
- Remplacez la bougie toutes les **100 heures** de fonctionnement.

### **Maintenance de la bougie**

1. Avec le moteur à température ambiante, faites bouger d'un côté à l'autre et plusieurs fois, le protecteur de plomb à haute tension de la bougie pour le relâcher et ensuite le retirer.
2. Retirez la bougie.
3. Nettoyez les électrodes avec une brosse dure.
4. Ajustez l'écartement des électrodes de 0,6-0,7 mm (0,024 -0,028 pouces).
5. Remplacez la bougie si elle est noyée, endommagée ou si les électrodes sont usés.
6. Lorsque vous installez la bougie, ne la serrez pas excessivement. Le couple de serrage est 10,7-16,6 N·m (95-148 pouces).



ELECTRODES



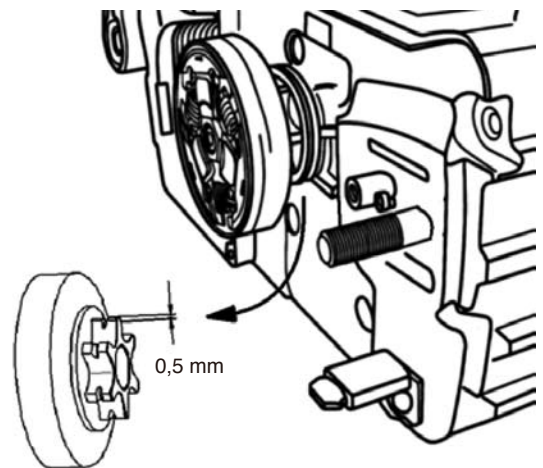
## **PIGNON**

### **Intervalle de maintenance**

- Retirez et réviser le pignon toutes les **25 heures** de fonctionnement, ou lorsque vous installez une chaîne neuve.

### **NETTOYAGE ET RÉVISION DU PIGNON**

- L'embrayage doit être nettoyé et révisé.
- Un pignon en mauvais état peut accélérer l'usure ou endommager prématurément la chaîne.
- Lorsque le pignon est usé de 0,5 mm ou plus, changez-le.



PIGNON	PAS	DENTS
	3/8	6

## FILTRE À CARBURANT

### Intervalle de maintenance

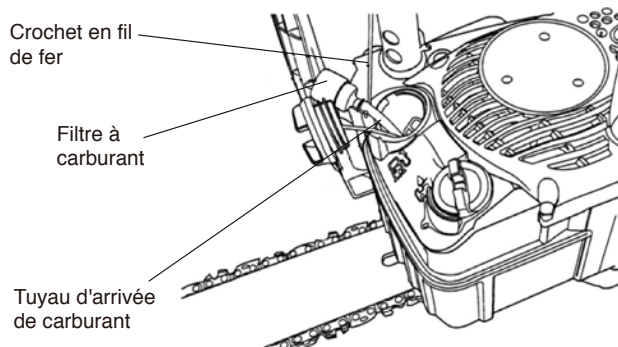
- Le filtre à carburant doit être nettoyé et révisé toutes les **25 heures** de fonctionnement.
- Changez le filtre à carburant toutes les **100 heures** de fonctionnement.

### Remplacement du filtre à carburant

Le filtre à carburant est fixé à l'extrémité du tuyau d'arrivée de carburant à l'intérieur du réservoir.

### Pour changer le filtre à carburant

1. Assurez-vous que le réservoir est vide.
2. Enlevez le bouchon du réservoir de carburant.
3. Avec un fil de fer, retirez délicatement le filtre à carburant à partir de l'orifice de remplissage du carburant.
4. Saisissez le tuyau d'arrivée de carburant situé près de la pièce de fixation du filtre à carburant, puis retirez-le mais sans lâcher le tuyau.
5. Tout en saisissant le tuyau d'arrivée de carburant, introduisez le nouveau filtre à carburant.
6. Laissez tomber le nouveau filtre dans le réservoir à carburant, du côté du guide-chaîne.
7. Avant le remplissage en essence, assurez-vous que le filtre n'est pas coincé dans un coin du réservoir, et que le tuyau de carburant n'est pas plié (tordu).



## FILTRE À HUILE

### Intervalle de maintenance

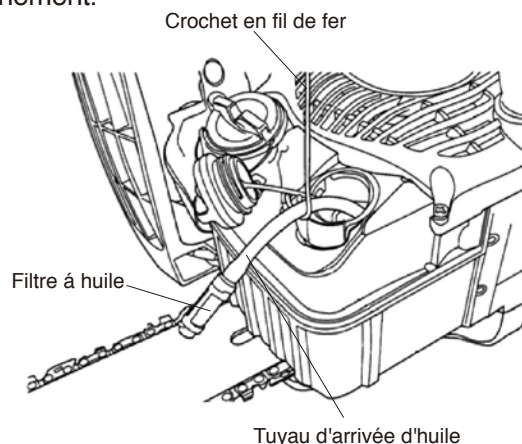
- Retirez et révisez le filtre à huile toutes les **25 heures** de fonctionnement.

### Nettoyage du filtre à huile

Le filtre à huile est fixé à l'extrémité du tuyau d'arrivée d'huile à l'intérieur du réservoir.

### Pour nettoyer le filtre à huile

1. Assurez-vous que le réservoir est vide.
2. Retirez le bouchon du réservoir à huile.
3. À l'aide d'un fil de fer, retirez délicatement le filtre à huile à partir de l'orifice de remplissage d'huile.
4. Saisissez le tuyau d'huile situé près de la pièce de fixation du filtre à huile, puis nettoyez le filtre.
5. Laissez tomber le filtre à huile dans le réservoir, du côté du guide-chaîne.
6. Avant le remplissage en essence, assurez-vous que le filtre n'est pas coincé dans un coin du réservoir, et que le tuyau d'huile n'est pas plié (tordu).



## **REFROIDISSEMENT DU MOTEUR**

### **Intervalle de maintenance**

- Le système de refroidissement du moteur doit être nettoyé toutes les **25 heures** de fonctionnement, ou une fois à la semaine.
- L'air doit circuler librement autour et à travers les ailettes de refroidissement du cylindre pour prévenir toute surchauffe du moteur. L'accumulation de résidus, de saletés, de l'herbe et de feuilles dans les ailettes augmentera sa température, réduira ses performances et écourtera sa vie utile.



Prise d'air de refroidissement

### **Nettoyage de l'ailette de refroidissement**

Nettoyez les saletés et les résidus autour de la prise d'air de refroidissement.

## **SILENCIEUX**

### **Intervalle de maintenance**

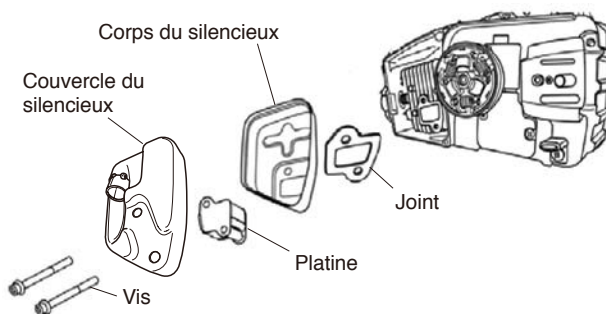
Réviser et nettoyer le silencieux toutes les **100 heures** de fonctionnement.

## **⚠ PRÉCAUTION**

- **Faites attention à ne pas faire tomber de saletés ou de résidus dans l'orifice d'échappement, sinon le moteur risque de s'endommager.**

### **Maintenance du silencieux**

1. Avec le moteur à température ambiante, dévissez l'écrou et retirez le carter de la chaîne.
2. Dévissez les deux vis et retirez le silencieux.
3. Nettoyez-le avec une brosse dure.
4. Réinstallez le silencieux, puis insérez et vissez les deux vis.
5. Réinstallez le carter de la chaîne.



## **PARE-ÉTINCELLES**

### **⚠ AVERTISSEMENT**

#### **RISQUE POTENTIEL**

- La surface du silencieux de la scie à chaîne en fonctionnement est très chaude et le reste pendant un instant après l'arrêt de l'appareil.

#### **QUE PEUT-IL SE PASSER**

- Le contact avec la surface chaude du silencieux peut provoquer des brûlures.

#### **COMMENT ÉVITER LE DANGER**

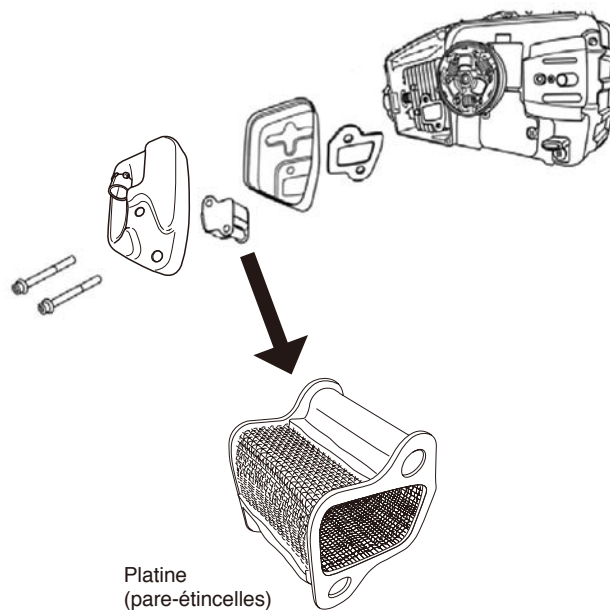
- Assurez-vous que le silencieux s'est refroidi avant d'entreprendre toute inspection ou nettoyage du pare-étincelles.

#### **Intervalle de maintenance**

- Le pare-étincelles doit être révisé et nettoyé toutes les **25 heures** de fonctionnement.
- Remplacez le tamis s'il n'est pas possible de le nettoyer entièrement, ou s'il est endommagé.

#### **Maintenance du pare-étincelles**

1. Avec le moteur à température ambiante :
2. Retirez les deux vis du silencieux.
3. Retirez et nettoyez l'embout d'échappement, le joint d'étanchéité et le pare-étincelles avec un solvant de sécurité et une brosse dure. Si vous n'arrivez pas à nettoyer complètement une pièce, vous devez la remplacer.
4. Réinstallez le pare-étincelles et le silencieux, puis réinstallez et vissez les deux vis.



## **NETTOYAGE GÉNÉRAL ET RÉGLAGES**

### **⚠ AVERTISSEMENT**

#### **RISQUE POTENTIEL**

- Lorsque le moteur est en fonctionnement, les accessoires et autres pièces sont en rotation.

#### **QUE PEUT-IL SE PASSER**

- Le contact avec les accessoires en rotation ou d'autres pièces en mouvement peut provoquer des lésions corporelles graves, voire la mort.

#### **COMMENT ÉVITER LE DANGER**

- Éteignez toujours la scie à chaîne avant de procéder à toute opération de nettoyage ou de maintenance.

En cas de maintenance appropriée, la scie à chaîne MARUYAMA vous offrira des performances maximales pendant de nombreuses années. Révisez fréquemment l'état des pièces de fixation et veillez à maintenir la scie dans un état de propreté optimal.

# RÉGLAGE DU CARBURATEUR

## ⚠ AVERTISSEMENT

### RISQUE POTENTIEL

- Le moteur doit être mis en marche pour réaliser le réglage du carburateur.
- Lorsque le moteur est en marche, la scie à chaîne est en rotation.

### QUE PEUT-IL SE PASSER

- Le contact avec les pièces rotatives peut provoquer des lésions corporelles graves, voire la mort.

### COMMENT ÉVITER LE DANGER

- Maintenez vos vêtements, vos mains et vos pieds éloignés des pièces rotatives.
- Maintenez éloignés les passants et animaux de l'appareil pendant le réglage du carburateur.

### ⚠ AVERTISSEMENT

- Chaque fois que vous utilisez l'appareil, vous devez vérifier le réglage de la vitesse de ralenti.
- Utilisez l'équipement de protection personnelle recommandé et suivez strictement les consignes de sécurité.

## Vitesse de ralenti du moteur:

Pour ajuster la vitesse de ralenti, tournez la vis de réglage de ralenti situé sur le carburateur.

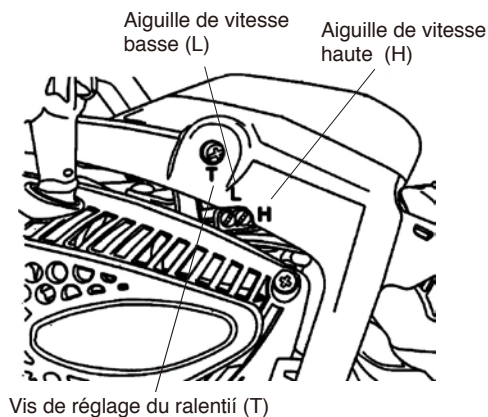
- Tournez la vis dans le sens horaire pour augmenter la vitesse de ralenti du moteur.
- Tournez la vis dans le sens anti-horaire pour réduire la vitesse de ralenti du moteur.

## Réglage du mélange de carburant:

N'ajustez le carburateur que s'il est vraiment nécessaire.

Pour ajuster le carburateur, procédez de la façon suivante :

1. Tournez les vis de réglage du mélange de vitesse basse (L) et haute (H) dans le sens anti-horaire, pour arrêter.
2. Démarrez le moteur et laissez-le au ralenti jusqu'à ce qu'il soit chaud.
3. Faites tourner la vis de réglage du ralenti (T) dans le sens anti-horaire jusqu'à ce que la chaîne s'arrête.
4. Accélérez à pleins gaz pour vérifier qu'il n'y a pas de problèmes en passant de la vitesse de ralenti au plein régime.
5. Tournez les vis de réglage du mélange de vitesse basse (L) et haute (H) dans le sens horaire pour ajuster un passage doux du ralenti au plein régime.



## ⚠ PRÉCAUTION

- Au démarrage, vous devez ajuster la vis de réglage du ralenti (T) de sorte que la chaîne cesse de tourner.
- Si nécessaire, ajustez la vitesse de ralenti, et si le moteur cale après le réglage, arrêtez immédiatement d'utiliser la scie à chaîne!
- Pour de l'assistance, contactez votre distributeur Maruyama agréé.

# ENTREPOSAGE

## AVERTISSEMENT

### RISQUE POTENTIEL

- L'essence contient des gaz qui peuvent augmenter la pression à l'intérieur du réservoir à carburant.

### QUE PEUT-IL SE PASSER

- En retirant le bouchon du réservoir à carburant, le carburant peut se projeter vers vous.

### COMMENT ÉVITER LE DANGER

- Retirez le bouchon lentement pour éviter toute blessure par projection de carburant.

## AVERTISSEMENT

### RISQUE POTENTIEL

- La chaîne est affûtée.

### QUE PEUT-IL SE PASSER

- Le contact avec la chaîne peut provoquer des lésions corporelles.

### COMMENT ÉVITER LE DANGER

- Portez des gants lorsque vous manipulez la chaîne.

## PRÉCAUTION

### RISQUE POTENTIEL

- En tirant la poignée du démarreur, l'huile peut se projeter à partir de l'orifice de la bougie.

### QUE PEUT-IL SE PASSER

- L'huile peut provoquer des lésions oculaires.

### COMMENT ÉVITER LE DANGER

- Utilisez une protection visuelle et maintenez le visage éloigné de l'orifice de la bougie.

### Remisage de la scie à chaîne:

1. Videz le réservoir à carburant dans un bidon approprié homologué pour entreposer l'essence.
2. Pompez la poire d'amorçage située sous le carburateur jusqu'à ce que tout le carburant se déverse à travers la pompe d'amorçage.
3. Faites tourner le moteur pour éliminer les restes de carburant à l'intérieur du carburateur.
4. Réalisez toutes les procédures de maintenance régulière et toute autre réparation nécessaire.
5. Retirez la bougie et répandez une petite quantité d'huile dans le cylindre.
6. Tirez une fois la poignée du démarreur.
7. Tirez lentement la poignée pour faire monter le piston jusqu'à la partie supérieure du cylindre (TDC).
8. Réinstallez la bougie.
9. Remisez la scie à chaîne dans un lieu sec à l'abri de toute source de chaleur excessive, d'étincelles ou de flammes nues.
10. Lorsque vous transportez ou remisez la scie à chaîne, utilisez toujours un couvercle de chaîne.

# RÉSOLUTION DE PROBLÈMES

Problème	Cause	Solution
Le moteur ne démarre pas	<ul style="list-style-type: none"> <li>• L'interrupteur "Stop" est dans la position "OFF"</li> <li>• Problème électrique</li> <li>• Réservoir à carburant vide</li> <li>• La poire d'amorçage n'a pas été suffisamment enfoncée</li> <li>• Filtre à carburant obstrué</li> <li>• Tuyau de carburant obstrué</li> <li>• Carburateur</li> <li>• Moteur noyé</li> </ul>	<ul style="list-style-type: none"> <li>• Faites glisser l'interrupteur dans la position "ON"</li> <li>• Consultez votre distributeur MARUYAMA</li> <li>• Remplissez-le</li> <li>• Appuyez sur la poire d'amorçage jusqu'à ce que le carburant entre dans la pompe.</li> <li>• Nettoyez-le ou remplacez-le</li> <li>• Nettoyez-le</li> <li>• Consultez votre distributeur MARUYAMA</li> <li>• Utilisez la procédure de démarrage du moteur à chaud.</li> </ul>
Le moteur n'a pas de puissance ou cale	<ul style="list-style-type: none"> <li>• Filtre à air sale</li> <li>• Filtre à carburant obstrué</li> <li>• Mélange de carburant trop riche</li> <li>• Orifice d'échappement obstrué</li> <li>• Bougie</li> <li>• Système de refroidissement bloqué</li> </ul>	<ul style="list-style-type: none"> <li>• Nettoyez-le ou remplacez-le</li> <li>• Nettoyez-le ou remplacez-le</li> <li>• Ouvrez l'enrichisseur, réglez le carburateur, consultez votre distributeur MARUYAMA</li> <li>• Nettoyez-le</li> <li>• Nettoyez-la, ajustez-la ou changez-la</li> <li>• Nettoyez-le</li> </ul>

**Pour d'autres renseignements, contactez le service technique du distributeur local agréé de Maruyama.**



# PÉRIODE DE MAINTENANCE

	Maintenance	Avant d'utiliser l'unité	Chaque jour	Chaque 25 heures	Chaque 50 heures	Chaque 100 heures
	Réviser et mettre du carburant	<input type="radio"/>				
	Rechercher toute fuite de carburant	<input type="radio"/>				
■	Réviser et nettoyer le filtre à carburant			<input type="radio"/>		
	Réviser et mettre de l'huile	<input type="radio"/>				
■	Réviser et nettoyer le filtre à huile			<input type="radio"/>		
	Réviser que les boulons, écrous et vis sont fermement fixés et qu'il n'en manque pas	<input type="radio"/>				
	Visser boulons et écrous	<input type="radio"/>				
	Réviser le réglage de la vitesse de ralenti du moteur	<input type="radio"/>				
■	Nettoyer l'élément du filtre à air		<input type="radio"/>			
■	Nettoyer la poussière et les impuretés de la prise d'air de refroidissement		<input type="radio"/>			
	Nettoyer la bougie et ajuster l'écartement des électrodes			<input type="radio"/>		
●	Retirer les dépôts de carbone de l'orifice d'échappement					<input type="radio"/>
●	Éliminer les dépôts de carbone sur la tête du piston et de la chambre de combustion					<input type="radio"/>
●	Éliminer les dépôts de carbone des canaux de transfert					<input type="radio"/>
●	Nettoyer le pare-étincelles			<input type="radio"/>		
	Changer le filtre à carburant					<input type="radio"/>
	Réviser le frein de la chaîne	<input type="radio"/>				
	Réviser le pignon			<input type="radio"/>		
	Réviser et nettoyer le guide-chaîne	<input type="radio"/>				
	Réviser le dispositif antivibrations (ressort)	<input type="radio"/>				
	Réviser l'attrape-chaîne	<input type="radio"/>				
	Affûter la chaîne de coupe		<input type="radio"/>			
	Changer le tuyau de carburant, le joint du bouchon du réservoir à carburant	Il est recommandé de les remplacer tous les 3 ans				

● :Ce service doit être fourni par un distributeur Maruyama agréé.

■ :Maintenance plus fréquente dans des conditions poussiéreuses.

## REMARQUE:

Les intervalles de maintenance indiqués doivent être utilisés comme guide.

Les opérations de maintenance peuvent être réalisées plus fréquemment en fonction des conditions d'utilisation.

Utilisez de l'huile standard Maruyama pour moteurs deux temps 50:1.





**Maruyama U.S., Inc.**

4770 Mercantile Drive, suite 100,

Fort Worth, TX 76137 U.S.A.

Phone 940-383-7400

Fax 940-383-7466

[www.maruyama-us.com](http://www.maruyama-us.com)

272558-02 US/ES/FR 13.06 TAP/F