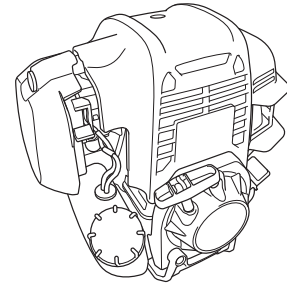


## OWNER'S MANUAL

### GX25 • GX35 • GX50



ENGLISH

FRANÇAIS

ESPAÑOL

### ⚠ WARNING

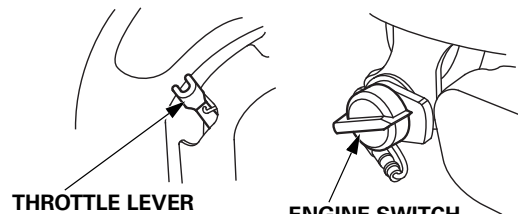
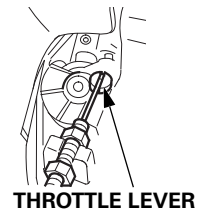
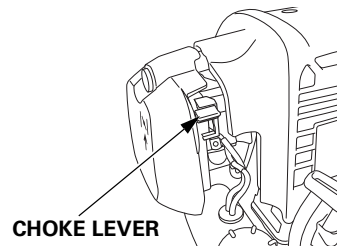
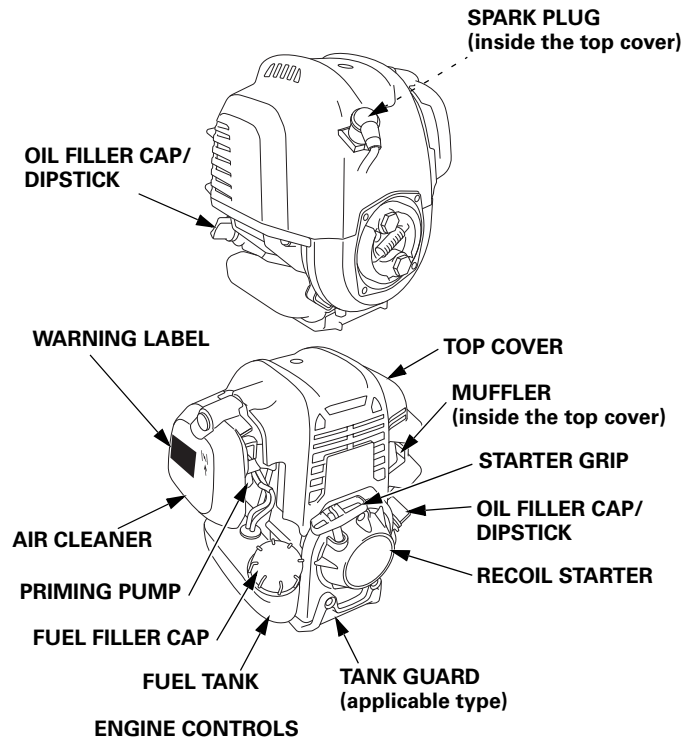
The engine exhaust from this product contains chemicals known to the State of California to cause cancer, birth defects, or other reproductive harm.

The illustrations in this manual are based on the GX50.  
• The illustrations may vary according to the type.

### SAFETY LABEL LOCATION / COMPONENT & CONTROL LOCATION

This label warns you of potential hazards that can cause serious injury. Read it carefully.  
If the label comes off or becomes hard to read, contact your servicing dealer for replacement.

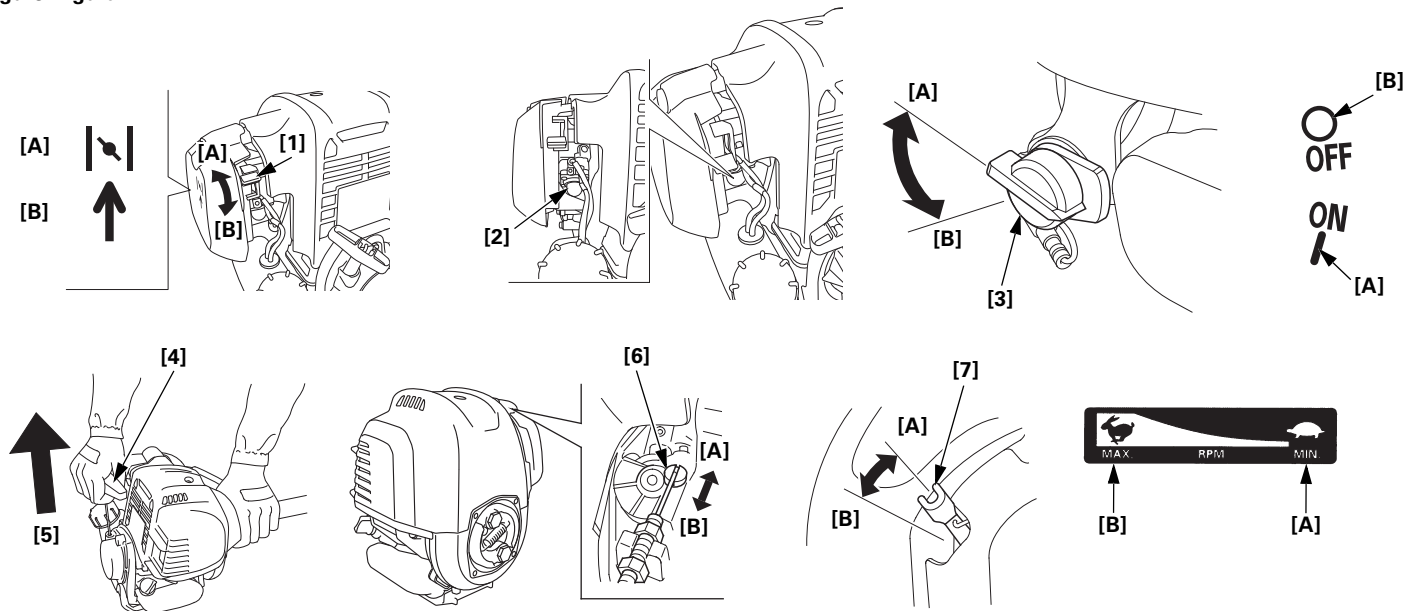
WARNING LABEL	For EU	Except EU
 <small>The Honda Mfg. Co., Ltd. MADE IN THAILAND</small>	attached to product	supplied with product
 <small>The Honda Mfg. Co., Ltd. MADE IN THAILAND</small>	supplied with product	attached to product
 <small>The Honda Mfg. Co., Ltd. MADE IN THAILAND</small>	supplied with product	supplied with product



GX25/GX35: applicable types

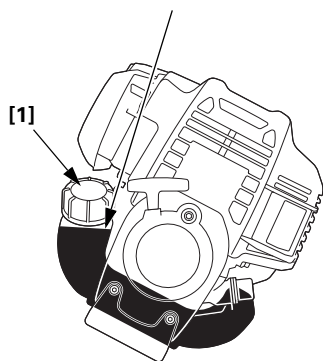
- Gasoline is highly flammable and explosive. Stop the engine and let cool before refueling.
- The engine emits toxic poisonous carbon monoxide gas. Do not run in an enclosed area.
- Read Owner's Manual before operation.

Figure/Figura 1

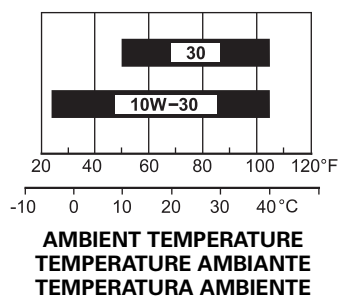


Figure/Figura 2

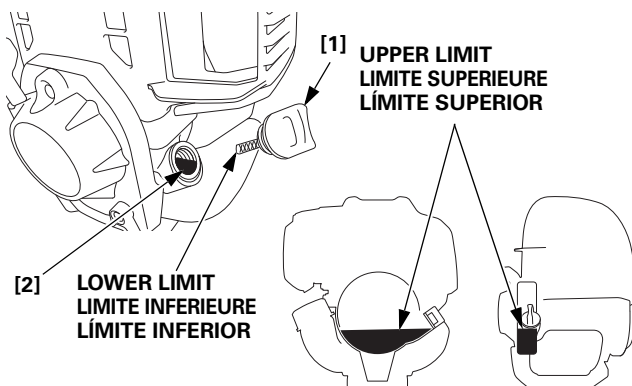
MAXIMUM FUEL LEVEL  
NIVEAU DE CARBURANT MAXIMUM  
NIVEL MÁXIMO DE COMBUSTIBLE



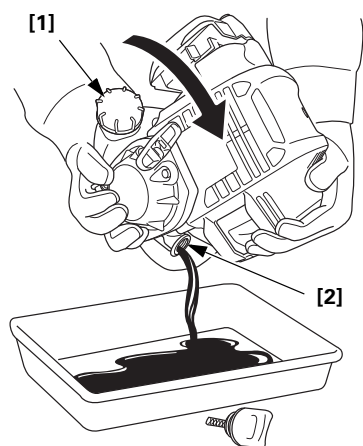
Figure/Figura 3



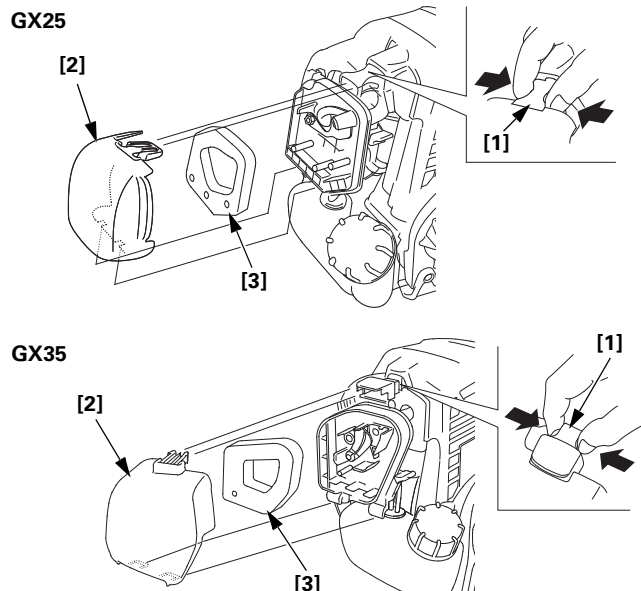
Figure/Figura 4



Figure/Figura 5



Figure/Figura 6



Figure/Figura 7

Clean  
Nettoyer  
Limpiar

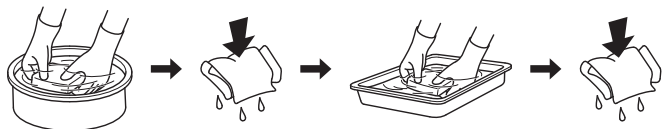
Squeeze and Dry  
Presser et sécher  
Ecurrir y secar

Dip in Oil  
Temper dans l'huile  
Sumergir en aceite

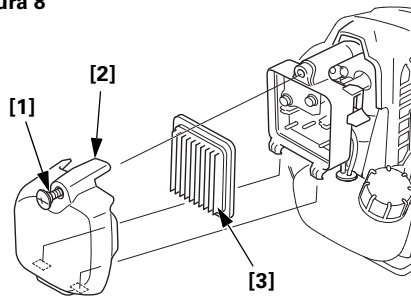
Squeeze  
Presser  
Ecurrir

Do not twist.  
Ne pas tordre.  
No retorcer.

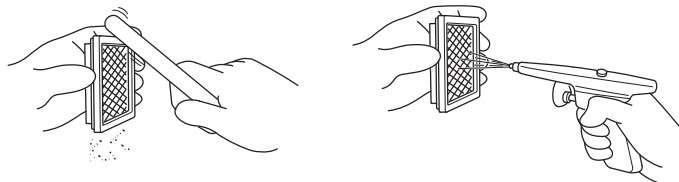
Do not twist.  
Ne pas tordre.  
No retorcer.



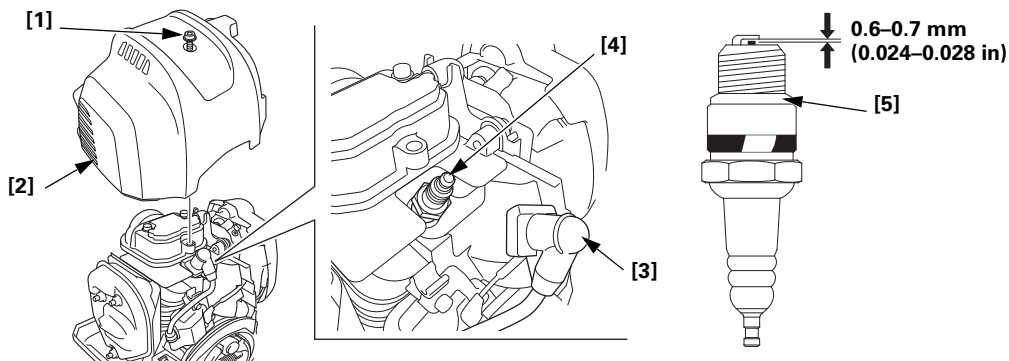
Figure/Figura 8



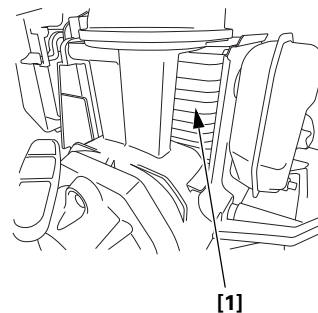
Figure/Figura 9



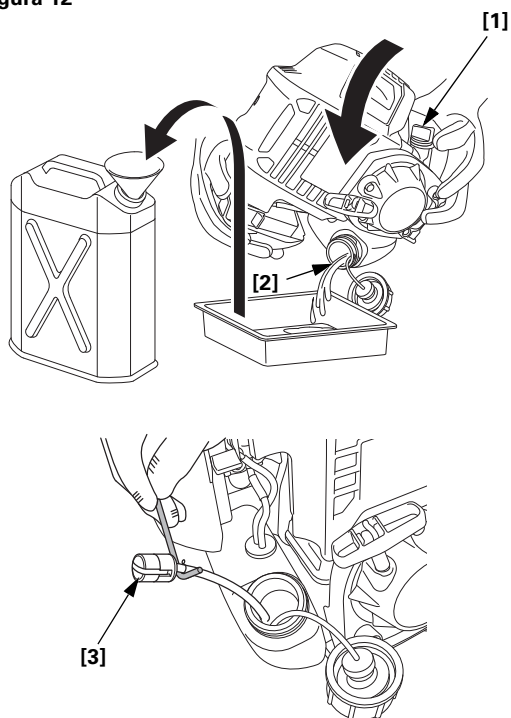
Figure/Figura 10



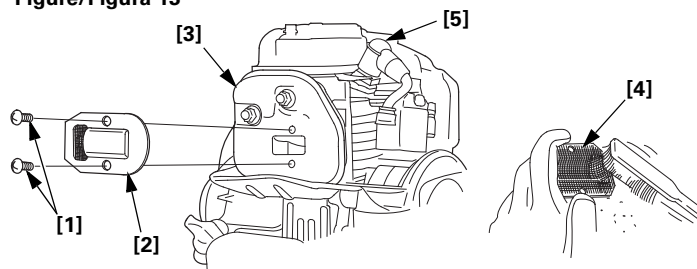
Figure/Figura 11



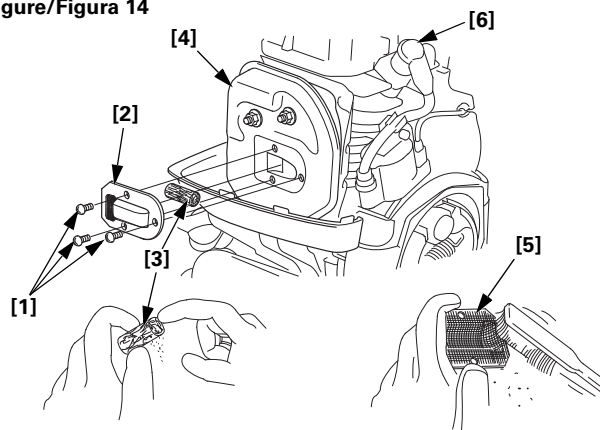
Figure/Figura 12



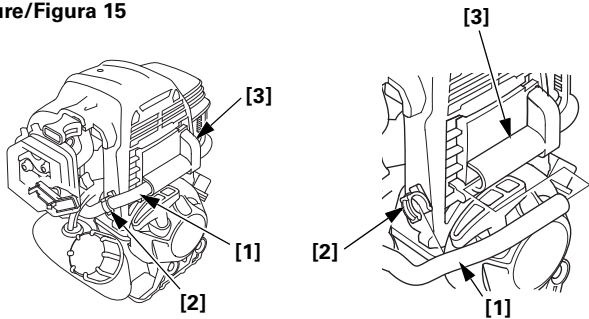
Figure/Figura 13



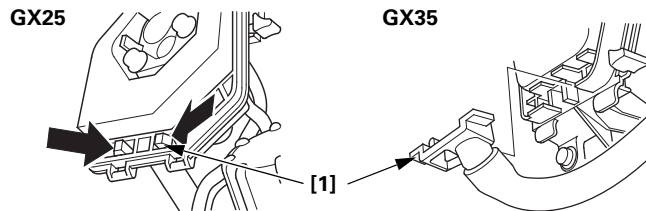
Figure/Figura 14



Figure/Figura 15

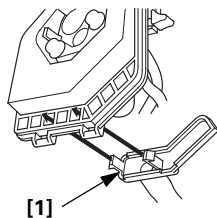


Figure/Figura 16

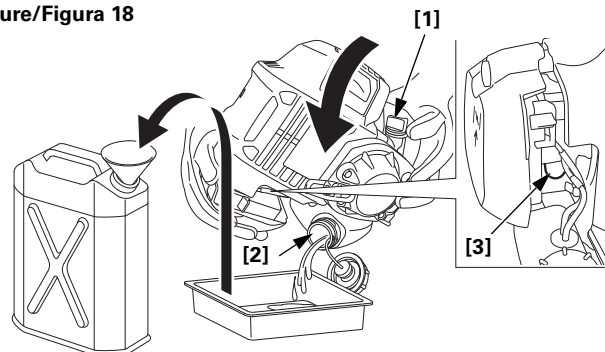


Figure/Figura 17

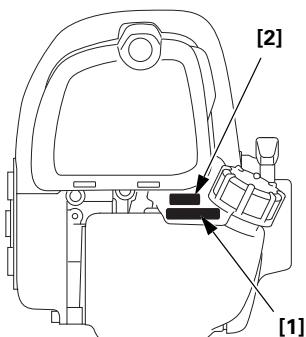
GX25



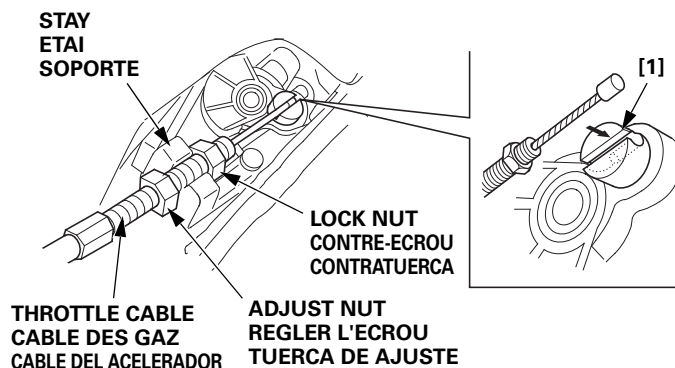
Figure/Figura 18



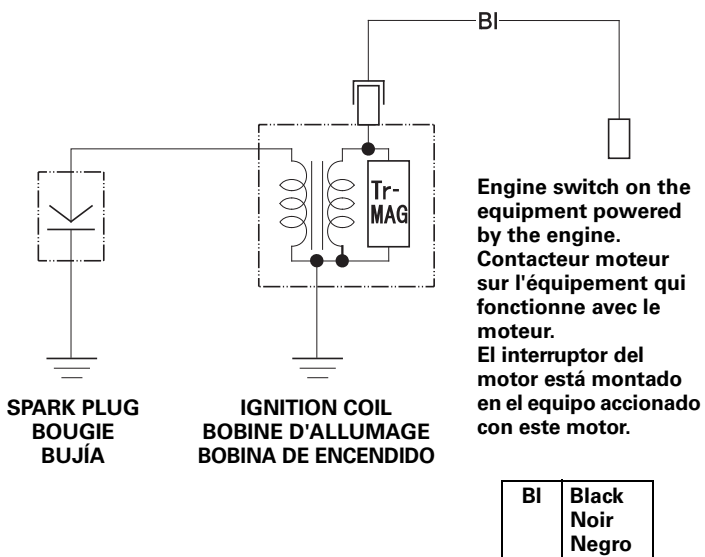
Figure/Figura 19



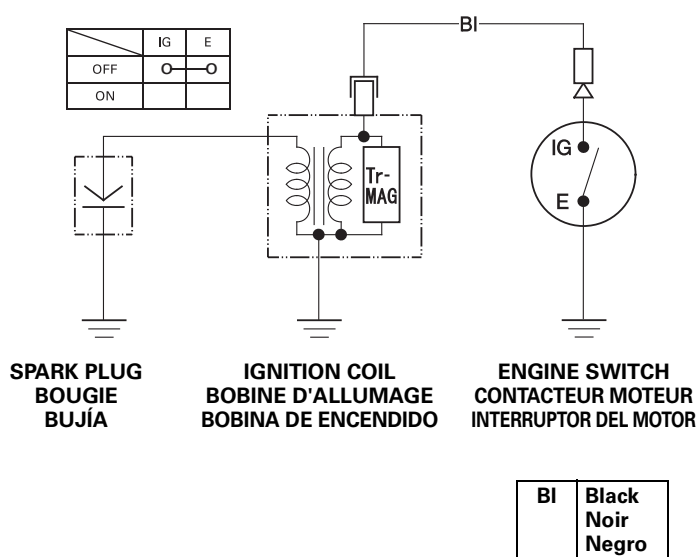
Figure/Figura 20



Figure/Figura 21



Figure/Figura 22





## INTRODUCTION

Thank you for purchasing a Honda engine. We want to help you to get the best results from your new engine and to operate it safely. This manual contains information on how to do that; please read it carefully before operating the engine. If a problem should arise, or if you have any questions about your engine, consult your servicing dealer.

All information in this publication is based on the latest product information available at the time of printing. Honda Motor Co., Ltd. reserves the right to make changes at any time without notice and without incurring any obligation. No part of this publication may be reproduced without written permission.

This manual should be considered a permanent part of the engine and should remain with the engine if resold.

Review the instructions provided with the equipment powered by this engine for any additional information regarding engine startup, shutdown, operation, adjustments or any special maintenance instructions.


United States, Puerto Rico, and U.S. Virgin Islands:  
We suggest you read the warranty policy to fully understand its coverage and your responsibilities of ownership. The warranty policy is a separate document that should have been given to you by your dealer.

## CONTENTS

SAFETY LABEL LOCATION / COMPONENT & CONTROL LOCATION .....	A-1	FUEL FILTER AND FUEL TANK .....	7
INTRODUCTION.....	1	SPARK ARRESTER .....	7
SAFETY MESSAGES .....	1	HOT AIR TUBE REMOVAL/ INSTALLATION.....	8
SAFETY INFORMATION .....	1	HELPFUL TIPS & SUGGESTIONS.....	8
BEFORE OPERATION		STORING YOUR ENGINE ...	8
CHECKS .....	2	TRANSPORTING .....	9
OPERATION.....	2	TAKING CARE OF UNEXPECTED PROBLEMS ....	9
SAFE OPERATING PRECAUTIONS .....	2	TECHNICAL & CONSUMER INFORMATION.....	10
STARTING THE ENGINE .....	2	Serial Number Location....	10
SETTING ENGINE SPEED ...	3	Remote Control Linkage ...	10
STOPPING THE ENGINE .....	3	Carburetor Modifications for High Altitude Operation .....	10
SERVICING YOUR ENGINE ....	3	Emission Control System Information .....	10
THE IMPORTANCE OF MAINTENANCE .....	3	Air Index.....	11
MAINTENANCE SAFETY ....	3	Specifications .....	12
SAFETY PRECAUTIONS.....	3	Tuneup Specifications .....	12
MAINTENANCE SCHEDULE .....	4	Quick Reference Information .....	12
REFUELING .....	4	Wiring Diagrams .....	12
ENGINE OIL.....	5	CONSUMER INFORMATION ...	13
Recommended Oil .....	5	Warranty and Distributor/ Dealer Locator Information .....	13
Oil Level Check.....	5	Customer Service Information .....	13
Oil Change .....	5		
AIR CLEANER.....	5		
Inspection .....	5		
Cleaning.....	5		
SPARK PLUG .....	6		
COOLING FINS .....	6		

## SAFETY MESSAGES

Your safety and the safety of others are very important. We have provided important safety messages in this manual and on the engine. Please read these messages carefully.

A safety message alerts you to potential hazards that could hurt you or others. Each safety message is preceded by a safety alert symbol  and one of three words, DANGER, WARNING, or CAUTION.

These signal words mean:

 **DANGER**

You **WILL** be **KILLED** or **SERIOUSLY HURT** if you don't follow instructions.

 **WARNING**

You **CAN** be **KILLED** or **SERIOUSLY HURT** if you don't follow instructions.

 **CAUTION**

You **CAN** be **HURT** if you don't follow instructions.

Each message tells you what the hazard is, what can happen, and what you can do to avoid or reduce injury.

## DAMAGE PREVENTION MESSAGES

You will also see other important messages that are preceded by the word NOTICE.

This word means:

**NOTICE**

Your engine or other property can be damaged if you don't follow instructions.

The purpose of these messages is to help prevent damage to your engine, other property, or the environment.

## SAFETY INFORMATION

- Understand the operation of all controls and learn how to stop the engine quickly in case of emergency. Make sure the operator receives adequate instruction before operating the equipment.
- Do not allow children to operate the engine. Keep children and pets away from the area of operation.
- Your engine's exhaust contains poisonous carbon monoxide. Do not run the engine without adequate ventilation, and never run the engine indoors.
- The engine and exhaust become very hot during operation. Keep the engine at least 1 meter (3 feet) away from buildings and other equipment during operation. Keep flammable materials away, and do not place anything on the engine while it is running.

## FEATURES

### Centrifugal Clutch

The centrifugal clutch automatically engages and transmits power when engine speed is increased above approximately GX25/GX35: 4,200 min<sup>-1</sup>(rpm), GX50: 4,400 min<sup>-1</sup>(rpm). At idle speed, the clutch is disengaged.

**NOTICE**

*Do not run the engine without mounting it on equipment that includes the centrifugal clutch drum and housing, or centrifugal force will cause the clutch shoes to contact and damage the engine case.*

## BEFORE OPERATION CHECKS

### IS YOUR ENGINE READY TO GO?

For your safety, to ensure compliance with environmental regulations, and to maximize the service life of your equipment, it is very important to take a few moments before you operate the engine to check its condition. Be sure to take care of any problem you find, or have your servicing dealer correct it, before you operate the engine.

#### **⚠ WARNING**

Failure to properly maintain this engine, or failing to correct a problem before operation, could result in a significant malfunction.

Some malfunctions can cause serious injuries or death.

Always perform a pre-operation inspection before each operation and correct any problems.

Before beginning your pre-operation checks, be sure the engine is level and the engine switch is in the OFF position.

Always check the following items before you start the engine:

#### **Check the General Condition of the Engine**

1. Before each use, look around and underneath the engine for signs of oil or gasoline leaks.
2. Remove any excessive dirt or debris, especially around the muffler and recoil starter.
3. Look for signs of damage.
4. Check that all shields and covers are in place, and all nuts, bolts, and screws are tightened.

#### **Check the Engine**

1. Check the fuel level (see page 4). Starting with a full tank will help to eliminate or reduce operating interruptions for refueling.
2. Check the engine oil level (see page 5). Running the engine with a low oil level can cause engine damage.
3. Check the air filter element (see page 5). A dirty air filter element will restrict air flow to the carburetor, reducing engine performance.
4. Check the equipment powered by this engine.

Review the instructions provided with the equipment powered by this engine for any precautions and procedures that should be followed before engine startup.

## OPERATION

### SAFE OPERATING PRECAUTIONS

Before operating the engine for the first time, please review the *SAFETY INFORMATION* section on page 1 and the *BEFORE OPERATION CHECKS*.

#### **Carbon Monoxide Hazards**

For your safety, do not operate the engine in an enclosed area such as a garage. Your engine's exhaust contains poisonous carbon monoxide gas that can collect rapidly in an enclosed area and cause illness or death.

#### **⚠ WARNING**

Exhaust contains poisonous carbon monoxide gas that can build up to dangerous levels in closed areas.

Breathing carbon monoxide can cause unconsciousness or death.

Never run the engine in a closed or even partially closed area.

Review the instructions provided with the equipment powered by this engine for any safety precautions that should be observed with engine startup, shutdown, or operation.

### STARTING THE ENGINE

See Figure 1, page A-2.

Refer to the instructions provided with the equipment for throttle lever and engine switch.

1. To start a cold engine, move the choke lever [1] to the CLOSED [A] position.

To restart a warm engine, leave the choke lever in the OPEN [B] position.

2. Press the priming pump [2] several times until the priming pump is filled with fuel. Even if the priming pump is pressed too many times, the extra fuel will return to the fuel tank. If the priming pump is not pressed enough, the engine may not start.
3. Turn the engine switch [3] to the ON (I) [A] position.
4. Pull the starter grip [4] lightly until you feel resistance, then pull briskly in the direction of the arrow [5]. Return the starter grip gently.

#### **NOTICE**

*Do not allow the starter grip to snap back against the engine. Return it gently to prevent damage to the starter.*

5. If the choke lever was moved to the CLOSED [A] position to start the engine, gradually move it to the OPEN [B] position as the engine warms up.

## Hot Restart

If the engine is operated at higher ambient temperatures, then turned off and allowed to sit for a short time, it may not restart on the first pull.

If necessary, use the following procedure:

### **IMPORTANT SAFETY PRECAUTION**

Turn the engine switch to the OFF position before performing the following procedure. This will prevent the engine from starting and running at maximum speed when the throttle is in the MAX. speed position. If the engine starts with the throttle in the MAX. speed position, the equipment can move forward rapidly or the trimmer attachment can spin at maximum speed. This may result in personal injury.

1. Turn the engine switch to the OFF (○) [B] position.
2. Move the choke lever to the OPEN position.
3. Hold the throttle lever [6] on the equipment in the MAX. [B] position.
4. Pull the starter grip 3 to 5 times.

Follow the STARTING THE ENGINE procedure on page 2 and start the engine with the choke lever in the OPEN position.

## SETTING ENGINE SPEED

Position the throttle lever for the desired engine speed.

For engine speed recommendations, refer to the instructions provided with the equipment powered by this engine.

## STOPPING THE ENGINE

To stop the engine in an emergency, simply turn the engine switch to the OFF (○) position. Under normal conditions, use the following procedure.

1. Move the throttle lever to the MIN. (←) [A] position.
2. Turn the engine switch to the OFF (○) position.

## SERVICING YOUR ENGINE

### THE IMPORTANCE OF MAINTENANCE

Good maintenance is essential for safe, economical and trouble-free operation. It will also help reduce pollution.

#### **⚠ WARNING**

Failure to properly maintain this engine, or failing to correct a problem before operation, could result in a significant malfunction.

Some malfunctions can cause serious injuries or death.

Always follow the inspection and maintenance recommendations and schedules in this owner's manual.

To help you properly care for your engine, the following pages include a maintenance schedule, routine inspection procedures, and simple maintenance procedures using basic hand tools. Other service tasks that are more difficult, or require special tools, are best handled by professionals and are normally performed by a Honda technician or other qualified mechanic.

The maintenance schedule applies to normal operating conditions.

If you operate your engine under severe conditions, such as sustained high-load or high-temperature operation, or use in unusually wet or dusty conditions, consult your Honda servicing dealer for recommendations applicable to your individual needs and use.

**Maintenance, replacement, or repair of the emission control devices and systems may be performed by any engine repair establishment or individual, using parts that are "certified" to EPA standards.**

### MAINTENANCE SAFETY

Some of the most important safety precautions follow. However, we cannot warn you of every conceivable hazard that can arise in performing maintenance. Only you can decide whether or not you should perform a given task.

#### **⚠ WARNING**

Improper maintenance can cause an unsafe condition.

Failure to properly follow maintenance instructions and precautions can cause serious injuries or death.

Always follow the procedures and precautions in this owner's manual.

### SAFETY PRECAUTIONS

- Make sure the engine is off before you begin any maintenance or repairs. To prevent unintentional startup, disconnect the spark plug cap. This will eliminate several potential hazards:
  - **Carbon monoxide poisoning from engine exhaust.**  
Operate outside, away from open windows or doors.
  - **Burns from hot parts.**  
Let the engine and exhaust system cool before touching.
  - **Injury from moving parts.**  
Do not run the engine unless instructed to do so.

- Read the instructions before you begin, and make sure you have the tools and skills required.
- To reduce the possibility of fire or explosion, be careful when working around gasoline. Use only a non-flammable solvent, not gasoline, to clean parts. Keep cigarettes, sparks and flames away from all fuel related parts.

Remember that an authorized Honda servicing dealer knows your engine best and is fully equipped to maintain and repair it. To ensure the best quality and reliability, use only new Honda Genuine parts or their equivalents for repair and replacement.

## MAINTENANCE SCHEDULE

REGULAR SERVICE PERIOD (3) Perform at every indicated month or operating hour interval, whichever comes first.		Before each use	First month or 10 hrs.	Every 3 months or 25 hrs.	Every 6 months or 50 hrs.	Every year or 100 hrs.	Every 2 years or 300 hrs.	Refer to Page
ITEM								
Engine oil	Check level	o (6)						5
	Change		o		o			
Air cleaner	Check	o (6)						5
	Clean			o (1)				
	Replace					o (5)		
Spark plug	Check-adjust					o		6
	Replace						o	
Timing belt	Check	After every 300 hrs. (2) (4)						Shop manual
Spark arrester (Applicable types)	Clean					o		7
Exhaust filter (Applicable types)	Clean					o		7
Engine cooling fins	Check-clean				o			6
Nuts, bolts, fasteners (Retighten if necessary)	Check	o						2
Clutch shoes	Check				o (2)			Shop manual
Idle speed	Check-adjust					o (2)		Shop manual
Valve clearance	Check-adjust					o (2)		Shop manual
Combustion chamber	Clean	After every 300 Hrs. (2)						Shop manual
Fuel filter and Fuel tank	Clean					o		7
Fuel tubes	Check	Every 2 years (Replace if necessary) (2)						Shop manual
Oil tube	Check	Every 2 years (Replace if necessary) (2)						Shop manual

- (1) To reduce the service period when used in bad conditions such as dusty areas.
- (2) These items should be serviced by your servicing dealer, unless you have the proper tools and are mechanically proficient. Refer to the Honda shop manual for service procedures.
- (3) For commercial use, log hours of operation to determine proper maintenance intervals.
- (4) Check that there is no crack and abnormal wear-out in the belt, and replace if it is abnormal.
- (5) Replace paper air filter element type (GX35, GX50) only.
- (6) To clean or replace when it looks so dirty.

Failure to follow this maintenance schedule could result in non-warrantable failures.

## REFUELING

See Figure 2, page A-2.

### Recommended Fuel

Unleaded gasoline	
U.S.	Pump octane rating 86 or higher
Except U.S.	Research octane rating 91 or higher
	Pump octane rating 86 or higher

Fuel specification(s) necessary to maintain the performance of the emissions control system: E10 fuel referenced in EU regulation.

This engine is certified to operate on unleaded gasoline with a pump octane rating of 86 or higher (a research octane rating of 91 or higher).

Refuel in a well ventilated area with the engine stopped. If the engine has been running, allow it to cool first. Never refuel the engine inside a building where gasoline fumes may reach flames or sparks.

You may use unleaded gasoline containing no more than 10% ethanol (E10) or 5% methanol by volume. In addition, methanol must contain cosolvents and corrosion inhibitors. Use of fuels with content of ethanol or methanol greater than shown above may cause starting and/or performance problems. It may also damage metal, rubber, and plastic parts of the fuel system. Engine damage or performance problems that result from using a fuel with percentages of ethanol or methanol greater than shown above are not covered under the Warranty.

If your equipment will be used on an infrequent or intermittent basis, please refer to the "Fuel" section of the "STORING YOUR ENGINE" chapter (see page 8) for additional information regarding fuel deterioration.

Never use gasoline that is stale, contaminated, or mixed with oil.

Avoid getting dirt or water in the fuel tank.

## ⚠ WARNING

Gasoline is highly flammable and explosive.

You can be burned or seriously injured when handling fuel.

- Stop the engine and let it cool before handling fuel.
- Keep heat, sparks, and flame away.
- Handle fuel only outdoors.
- Keep away from your vehicle.
- Wipe up spills immediately.

### Fuel level check

#### NOTICE

*Fuel can damage paint and some types of plastic. Be careful not to spill fuel when filling your fuel tank. Damage caused by spilled fuel is not covered under the Distributor's Limited Warranty.*

1. Check the fuel level visually from the outside of the fuel tank while keeping the fuel filler neck upright.
2. If the fuel level is low, refuel in a well-ventilated area with the engine stopped. If the engine has been running, allow it to cool.

Remove the fuel filler cap [1], and fill the tank with gasoline to the bottom of the filler neck. Refuel carefully to avoid spilling fuel. Do not overfill. There should be no fuel in the filler neck. After refueling, tighten the fuel filler cap securely.

Keep gasoline away from appliance pilot lights, barbecues, electric appliances, power tools, etc.

Spilled fuel is not only a fire hazard, it causes environmental damage. Wipe up spills immediately.

## ENGINE OIL

Oil is a major factor affecting performance and service life. Use 4-stroke automotive detergent oil.

### Recommended Oil

See Figure 3, page A-2.

Use 4-stroke motor oil that meets or exceeds the requirements for API service classification SJ or later (or equivalent). Always check the API service label on the oil container to be sure it includes the letters SJ or later (or equivalent).

Lubrication oil specifications necessary to maintain the performance of the emissions control system: Honda genuine oil.

SAE 10W-30 is recommended for general use. Other viscosities shown in the chart may be used when the average temperature in your area is within the indicated range.

### Oil Level Check

See Figure 4, page A-2.

Check the engine oil level before each use, or every 10 hours if operated continuously.

Check the engine oil level with the engine stopped and in a level position.

1. Remove the oil filler cap/dipstick [1] and wipe it clean.
2. Insert and remove the oil filler cap/dipstick without screwing it into the oil filler neck, then remove it to check the oil level shown on the dipstick.
3. If the oil level is near or below the lower limit mark on the dipstick, fill to the bottom edge of the oil fill hole [2] with the recommended oil. To avoid overfilling or underfilling, be sure the engine is in a level position, as shown, while adding oil.
4. Reinstall the oil filler cap/dipstick and tighten securely.

#### NOTICE

*Running the engine with a low oil level can cause engine damage. This type of damage is not covered by the Distributor's Limited Warranty.*

### Oil Change

See Figure 5, page A-2.

Drain the used oil when the engine is warm. Warm oil drains quickly and completely.

1. Check that the fuel filler cap [1] is tightened securely.
2. Place a suitable container below the engine to catch the used oil.
3. Remove the oil filler cap/dipstick and drain the oil into the container by tipping the engine toward the oil filler neck [2].

#### NOTICE

*Please dispose of used motor oil in a manner that is compatible with the environment. We suggest you take used oil in a sealed container to your local recycling center or service station for reclamation. Do not throw it in the trash, pour it on the ground, or pour it down a drain.*

4. With the engine in a level position, fill to the bottom edge of the oil fill hole with the recommended oil.

Some oil will remain in the engine after draining. When refilling with fresh oil, start with less than engine oil capacity. Slowly add enough oil to fill to the bottom edge of the oil fill hole.

Engine oil capacity: GX25: 0.08 L (2 US oz, 0.07 Imp qt)  
GX35: 0.10 L (3 US oz, 0.09 Imp qt)  
GX50: 0.13 L (4 US oz, 0.11 Imp qt)

#### NOTICE

*Running the engine with a low or excessive oil level can cause engine damage. This type of damage is not covered by the Distributor's Limited Warranty.*

5. Reinstall the oil filler cap/dipstick securely. If any oil is spilled, make sure to wipe it up.

## AIR CLEANER

A dirty air cleaner will restrict air flow to the carburetor, reducing engine performance. If you operate the engine in very dusty areas, clean the air filter element more often than specified in the MAINTENANCE SCHEDULE (see page 4).

#### NOTICE

*Operating the engine without an air filter element, or with a damaged air filter element, will allow dirt to enter the engine, causing rapid engine wear. This type of damage is not covered by the Distributor's Limited Warranty.*

### Inspection (foam air filter element type)

See Figure 6, page A-2.

Press the latch tab [1] on the top of the air cleaner cover, and remove the cover [2]. Inspect the air filter element [3]. Clean or replace dirty air filter element. Always replace damaged air filter element.

Reinstall the air filter element and air cleaner cover securely.

Refer to the cleaning instruction for air cleaner and filter as following.

### Cleaning (foam air filter element type)

See Figures 7, page A-3.

1. Clean the filter element in warm soapy water, rinse, and allow to dry thoroughly. Or clean in non-flammable solvent and allow to dry.
2. Dip the filter element in clean engine oil, then squeeze out all excess oil. The engine will smoke when started if too much oil is left in the element.
3. Wipe dirt from the air cleaner body and cover, using a moist rag. Be careful to prevent dirt from entering the carburetor.
4. Reinstall the filter element and air cleaner cover securely.



### Inspection (paper air filter element type)

See Figures 8, page A-3.

Loosen the screw [1] and remove the air cleaner cover [2]. Inspect the air filter element [3]. Clean or replace dirty air filter element. Always replace damaged air filter element. Reinstall the air filter element and air cleaner cover and tighten the screw securely. Refer to the cleaning instruction as following.

### Cleaning (paper air filter element type)

See Figure 9, page A-3.

1. Loosen the screw [1] and remove the air cleaner cover [2].
2. Remove the paper air filter element [3] from the air cleaner body.
3. Inspect the air filter element, and replace it if it is damaged. Always replace the paper air filter element at the scheduled interval (see page 4).
4. Clean the air filter element if it is to be reused.

Tap the paper air filter element several times on a hard surface to remove dirt, or blow compressed air [not exceeding 200 kPa (2.0 kgf/cm<sup>2</sup>, 29 psi)] through the filter element from the air cleaner body side. Never try to brush off dirt; brushing will force dirt into the fibers. Replace the paper air filter element if it is excessively dirty.

5. Wipe dirt from the inside of the air cleaner body and cover using a moist rag. Be careful to prevent dirt from entering the air duct that leads to the carburetor.
6. Reinstall the paper air filter element to the air cleaner body.
7. Install the air cleaner cover, and tighten the screw securely.

### SPARK PLUG

See Figure 10, page A-3.

**Recommended Spark Plug:** CM5H (NGK), CMR5H (NGK)

The recommended spark plug has the correct heat range for normal engine operating temperatures.

#### NOTICE

*An incorrect spark plug can cause engine damage.*

For good performance, the spark plug must be properly gapped and free of deposits.

1. Loosen the hex bolt [1] with a hexagon wrench, then remove the top cover [2].

#### CAUTION

Do not operate the engine when the top cover is removed.

Do not pull the recoil starter handle when the top cover is removed.

You may be injured from the rotating parts or burned by the muffler.

2. Disconnect the spark plug cap [3], and remove any dirt from around the spark plug area.
3. Remove the spark plug [4] with a 5/8-inch spark plug wrench.
4. Inspect the spark plug. Replace it if damaged or badly fouled, if the sealing washer [5] is in poor condition, or if the electrode is worn.
5. Measure the spark plug electrode gap with a wire-type feeler gauge. Correct the gap, if necessary, by carefully bending the side electrode.  
The gap should be: 0.6–0.7 mm (0.024–0.028 in)
6. Install the spark plug carefully, by hand, to avoid cross-threading.
7. After the spark plug is seated, tighten with a 5/8-inch spark plug wrench to compress the sealing washer.

When installing a new spark plug, tighten 1/2 turn after the spark plug seats to compress the washer.

When reinstalling the original spark plug, tighten 1/8–1/4 turn after the spark plug seats to compress the washer.

**TORQUE:** 11.8 N·m (9 lbf·ft, 1.2 kgf·m)

#### NOTICE

*A loose spark plug can overheat and damage the engine. Overtightening the spark plug can damage the threads in the cylinder head.*

8. Attach the spark plug cap to the spark plug.
9. Install the top cover, and tighten the hex bolt securely with a hexagon wrench.

### COOLING FINS

See Figure 11, page A-3.

#### Inspection and clean

1. Loosen the hex bolt, then remove the top cover.
2. Disconnect the spark plug cap (see page 6).
3. Inspect the engine cooling fins [1], and clean out debris if necessary.
4. Reconnect the spark plug cap.
5. Install the top cover, and tighten the hex bolt securely.

## FUEL FILTER AND FUEL TANK

### Fuel filter inspection and Fuel tank cleaning

See Figure 12, page A-3.

#### **⚠ WARNING**

Gasoline is highly flammable and explosive.

You can be burned or seriously injured when handling fuel.

- Stop the engine and let it cool before handling fuel.
- Keep heat, sparks, and flame away.
- Handle fuel only outdoors.
- Keep away from your vehicle.
- Wipe up spills immediately.

1. Check that the engine oil filler cap / dipstick [1] is tightened securely.
2. Remove the fuel filler cap, and drain the fuel into an approved gasoline container by tipping the engine toward the fuel filler neck [2].
3. Pull the fuel filter [3] out through the fuel filler neck by hooking the black fuel tube with a piece of wire, such as a partly straightened paper clip.
4. Inspect the fuel filter. If the fuel filter is dirty, wash it gently with non-flammable or high flash point solvent. If the fuel filter is excessively dirty, replace it.
5. Remove water and dirt from the fuel tank by rinsing the inside of the fuel tank with non-flammable or high flash point solvent.
6. Insert the fuel filter into the fuel tank and tighten the fuel filler cap securely.

### **SPARK ARRESTER (applicable types)**

The spark arrester may be standard or an optional part, depending on the engine type. In some areas, it is illegal to operate an engine without a spark arrester. Check local laws and regulations. A spark arrester is available from authorized Honda servicing dealers.

The spark arrester must be serviced every 100 hours to keep it functioning as designed.

If the engine has been running, the muffler will be hot. Allow it to cool before servicing the spark arrester.

## **GX25**

See Figure 13, page A-3.

### **Spark Arrester Removal**

1. Loosen the hex bolt, then remove the top cover (see page 6).
2. Remove the screws [1] from the spark arrester [2], and remove the spark arrester from the muffler [3].

### **Spark Arrester Cleaning & Inspection**

1. Use a brush to remove carbon deposits from the spark arrester screen [4]. Be careful to avoid damaging the screen.

The spark arrester must be free of breaks and holes. Replace the spark arrester if it is damaged.

2. Install the spark arrester in the reverse order of disassembly.

When you install the spark arrester, the spark arrester's outlet must point to the side opposite the spark plug [5].

3. Install the top cover, and tighten the hex bolt securely (see page 6).

## **GX35, GX50**

See Figure 14, page A-3.

### **Spark Arrester Removal**

1. Loosen the hex bolt, then remove the top cover (see page 6).
2. Remove the self-tapping screws [1] from the spark arrester [2], and remove the spark arrester and exhaust filter [3] from the muffler [4].

### **Exhaust Filter Cleaning & Inspection**

Pinch the exhaust filter, and strike it lightly with a finger, to remove carbon deposits. Be careful not to strike it too hard. The exhaust filter must be free of breaks and holes. If it is damaged or fouled excessively, have it serviced by your dealer.

### **Spark Arrester Cleaning & Inspection**

1. Use a brush to remove carbon deposits from the spark arrester screen [5]. Be careful to avoid damaging the screen.

The spark arrester must be free of breaks and holes. Replace the spark arrester if it is damaged.

2. Install the exhaust filter and spark arrester in the reverse order of disassembly.

When you install the spark arrester, the spark arrester's outlet must point to the side opposite the spark plug [6].

3. Install the top cover, and tighten the hex bolt securely.

## HOT AIR TUBE REMOVAL/INSTALLATION (applicable types)

### NOTICE

- Normally use the engine with the hot air tube installed, or it can cause icing.
- When the ambient temperature is high (86°F/30°C or above), be sure to remove the hot air tube in the following procedure before operating the engine.  
*Operating the engine with the hot air tube installed can cause overheating of the engine.*
- Release the hot air tube from the tube clip and disconnect it from the hot air duct before removing the top cover for maintenance, etc. After installing the top cover, be sure to reinstall the hot air tube securely in the original position.

1. Remove the air cleaner cover (see page 5).
2. See Figure 15, page A-4.  
Release the hot air tube [1] from the clip [2] at the engine cover and pull the hot air tube out of the hot air duct [3] on the engine cover.
3. See Figure 16, page A-4.  
Remove the hot air joint [1] from the air cleaner case.  
  
GX25: Push the lug in and push it deep inside to remove the hot air joint [1] from the air cleaner case.  
  
GX35: Remove the hot air joint from the air cleaner case toward you.
4. Remove the hot air tube with the joint set on the tube.  
Store the removed parts in an appropriate place carefully.  
Take care not to lose them.
5. See Figure 17, page A-4.  
Install the hot air tube and hot air joint [1] in the reverse order of removal.  
(GX25 only) Install the hot air joint on the air cleaner case in the position shown.

## HELPFUL TIPS & SUGGESTIONS

### STORING YOUR ENGINE

#### Storage Preparation

Proper storage preparation is essential for keeping your engine trouble-free and looking good. The following steps will help to keep rust and corrosion from impairing your engine's function and appearance, and will make the engine easier to start when you use it again.

#### Cleaning

If the engine has been running, allow it to cool for at least half an hour before cleaning. Clean all exterior surfaces, touch up any damaged paint, and coat other areas that may rust with a light film of oil.

### NOTICE

*Using a garden hose or pressure washing equipment can force water into the air cleaner or muffler opening. Water in the air cleaner will soak the air filter, and water that passes through the air filter or muffler can enter the cylinder, causing damage.*

## Fuel

### NOTICE

*Depending on the region where you operate your equipment, fuel formulations may deteriorate and oxidize rapidly. Fuel deterioration and oxidation can occur in as little as 30 days and may cause damage to the carburetor and/or fuel system. Please check with your servicing dealer for local storage recommendations.*

Gasoline will oxidize and deteriorate in storage. Deteriorated gasoline will cause hard starting, and it leaves gum deposits that clog the fuel system. If the gasoline in your engine deteriorates during storage, you may need to have the carburetor and other fuel system components serviced or replaced.

The length of time that gasoline can be left in your fuel tank and carburetor without causing functional problems will vary with such factors as gasoline blend, your storage temperatures, and whether the fuel tank is partially or completely filled. The air in a partially filled fuel tank promotes fuel deterioration. Very warm storage temperatures accelerate fuel deterioration. Fuel deterioration problems may occur within a few months, or even less if the gasoline was not fresh when you filled the fuel tank.

Fuel system damage or engine performance problems resulting from neglected storage preparation are not covered under the Distributor's Limited Warranty.

You can extend fuel storage life by adding a gasoline stabilizer that is formulated for that purpose, or you can avoid fuel deterioration problems by draining the fuel tank and carburetor.

### Adding a Gasoline Stabilizer to Extend Fuel Storage Life

When adding a gasoline stabilizer, fill the fuel tank with fresh gasoline. If only partially filled, air in the tank will promote fuel deterioration during storage. If you keep a container of gasoline for refueling, be sure that it contains only fresh gasoline.

1. Add gasoline stabilizer following the manufacturer's instructions.
2. After adding a gasoline stabilizer, run the engine outdoors for 10 minutes to be sure that treated gasoline has replaced the untreated gasoline in the carburetor.
3. Stop the engine.

## Draining the Fuel Tank and Carburetor

See Figure 18, page A-4.

### **WARNING**

Gasoline is highly flammable and explosive.

You can be burned or seriously injured when handling fuel.

- Stop the engine and let it cool before handling fuel.
- Keep heat, sparks, and flame away.
- Handle fuel only outdoors.
- Keep away from your vehicle.
- Wipe up spills immediately.

1. Make sure the engine oil filler cap / dipstick [1] is tightened securely.
2. Remove the fuel filler cap and drain the fuel into an approved gasoline container by tipping the engine toward the fuel filler neck [2].
3. Press the priming pump [3] several times until all fuel has returned to the fuel tank.
4. Tip the engine toward the fuel filler neck again to drain the fuel.
5. After all fuel has drained, reinstall the fuel filler cap securely.

### Engine Oil

See Figure 5, page A-2.

See Figure 10, page A-3.

1. Change the engine oil (see page 5).
2. Loosen the hex bolt, then remove the top cover.
3. Remove the spark plug (see page 6).
4. Apply a couple of drops of clean engine oil into the cylinder.
5. Install the top cover temporarily.
6. Pull the starter grip several times to distribute the oil in the cylinder.
7. Remove the top cover, then reinstall the spark plug.
8. Install the top cover, and tighten the hex bolt securely.
9. Pull the starter grip slowly until resistance is felt.

## Storage Precautions

If your engine will be stored with gasoline in the fuel tank and carburetor, it is important to reduce the hazard of gasoline vapor ignition. Select a well ventilated storage area away from any appliance that operates with a flame, such as a furnace, water heater, or clothes dryer. Also avoid any area with a spark-producing electric motor, or where power tools are operated.

If possible, avoid storage areas with high humidity, because that promotes rust and corrosion.

Keep the engine level in storage. Tilting can cause fuel or oil leakage.

With the engine and exhaust system cool, cover the engine to keep out dust. A hot engine and exhaust system can ignite or melt some materials. Do not use a plastic sheet as a dust cover. A nonporous cover will trap moisture around the engine, promoting rust and corrosion.

## Removal from Storage

Check your engine as described in the *BEFORE OPERATION CHECKS* section of this manual (see page 2).

If the fuel was drained during storage preparation, fill the tank with fresh gasoline. If you keep a container of gasoline for refueling, be sure it contains only fresh gasoline. Gasoline oxidizes and deteriorates over time, causing hard starting. If the cylinder was coated with oil during storage preparation, the engine will smoke briefly at startup. This is normal.

## TRANSPORTING

If the engine has been running, allow it to cool for at least 15 minutes before loading the engine-powered equipment on the transport vehicle. A hot engine and exhaust system can burn you and can ignite some materials.

## TAKING CARE OF UNEXPECTED PROBLEMS

### ENGINE WILL NOT START

Possible Cause	Correction
Choke open.	Move lever to CLOSED position unless the engine is warm.
Engine switch OFF. (on the equipment)	Turn engine switch to ON position.
Out of fuel.	Refuel (p. 4).
Bad fuel; engine stored without treating or draining gasoline, or refueled with bad gasoline.	Drain fuel tank and carburetor (p. 9). Refuel with fresh gasoline (p. 4).
Spark plug faulty, fouled, or improperly gapped.	Gap or replace spark plug (p. 6).
Spark plug wet with fuel (flooded engine).	Allow the spark plug to dry. After drying, install the spark plug and start the engine (p. 2).
Fuel filter restricted, carburetor malfunction, ignition malfunction, valves stuck, etc.	Take engine to your servicing dealer, or refer to shop manual.

### ENGINE LACKS POWER

Possible Cause	Correction
Filter element restricted.	Clean or replace filter element (p. 5).
Bad fuel; engine stored without treating or draining gasoline, or refueled with bad gasoline.	Drain fuel tank and carburetor (p. 9). Refuel with fresh gasoline (p. 4).
Fuel filter restricted, carburetor malfunction, ignition malfunction, valves stuck, etc.	Take engine to your servicing dealer, or refer to shop manual.

## TECHNICAL & CONSUMER INFORMATION

### TECHNICAL INFORMATION

#### Serial Number Location

See Figure 19, page A-4.

Record the engine serial number [1], type [2] and purchase date in the spaces below. You will need this information when ordering parts and when making technical or warranty inquiries.

Engine serial number: \_\_\_\_\_ — \_\_\_\_\_

Engine type: \_\_\_\_\_

Date Purchased: \_\_\_\_\_ / \_\_\_\_\_ / \_\_\_\_\_

#### Remote Control Linkage

See Figure 20, page A-4.

The throttle control lever is provided with a fitting for cable attachment [1].

Remove the air cleaner cover (see page 5) for access to the throttle lever and cable fitting.

Attach the throttle cable as shown in the illustration.

To adjust the throttle cable, follow the equipment manufacturer's instructions.

#### Carburetor Modifications for High Altitude Operation

At high altitude, the standard carburetor air-fuel mixture will be too rich. Performance will decrease, and fuel consumption will increase. A very rich mixture will also foul the spark plug and cause hard starting. Operation at an altitude that differs from that at which this engine was certified, for extended periods of time, may increase emissions.

High altitude performance can be improved by specific modifications to the carburetor. If you always operate your engine at altitudes above 1,500 meters (5,000 feet), have your servicing dealer perform this carburetor modification. This engine, when operated at high altitude with the carburetor modifications for high altitude use, will meet each emission standard throughout its useful life.

Even with carburetor modification, engine horsepower will decrease about 3.5% for each 300 meter (1,000 feet) increase in altitude. The effect of altitude on horsepower will be greater than this if no carburetor modification is made.

#### NOTICE

*When the carburetor has been modified for high altitude operation, the air-fuel mixture will be too lean for low altitude use. Operation at altitudes below 1,500 meters (5,000 feet) with a modified carburetor may cause the engine to overheat and result in serious engine damage. For use at low altitudes, have your servicing dealer return the carburetor to original factory specifications.*

### Emission Control System Information

#### Emission Control System Warranty

Your new Honda complies with both the U.S. EPA and State of California emission regulations. American Honda provides the same emission warranty coverage for Honda Power Equipment engines sold in all 50 states. In all areas of the United States, your Honda Power Equipment engine is designed, built, and equipped to meet the U.S. EPA and California Air Resources Board emission standard for spark ignited engines.

#### Warranty Coverage

Honda Power Equipment engines certified to CARB and EPA regulations are covered by this warranty to be free from defects in materials and workmanship that may keep it from meeting the applicable EPA and CARB emissions requirements for a minimum of 2 years or the length of the *Honda Power Equipment Distributor's Limited Warranty*, whichever is longer, from the original date of delivery to the retail purchaser. This warranty is transferable to each subsequent purchaser for the duration of the warranty period.

Warranty repairs will be made without charge for diagnosis, parts, and labor. Information about how to make a warranty claim, as well as a description of how a claim can be made and/or how service can be provided, can be obtained by contacting an authorized Honda Power Equipment dealer or by contacting American Honda at the following:

Email: [powerequipmentemissions@ahm.honda.com](mailto:powerequipmentemissions@ahm.honda.com)

Telephone: (888) 888-3139

The covered components include all components whose failure would increase an engine's emissions of any regulated pollutant or evaporative emissions. A list of specific components can be found in the separately included emissions warranty statement.

Specific warranty terms, coverage, limitations and manner of seeking warranty service are also set forth in the separately included emissions warranty statement. In addition, the emissions warranty statement can also be found on the Honda Power equipment website or at the following link: <http://powerequipment.honda.com/support/warranty>

#### Source of Emissions

The combustion process produces carbon monoxide, oxides of nitrogen, and hydrocarbons. Control of hydrocarbons and oxides of nitrogen are very important because, under certain conditions, they react to form photochemical smog when subjected to sunlight.

Carbon monoxide does not react in the same way, but it is toxic.

Honda utilizes appropriate air/fuel ratios and other emissions control systems to reduce the emissions of carbon monoxide, oxides of nitrogen, and hydrocarbons.

Additionally, Honda fuel systems utilize components and control technologies to reduce evaporative emissions.

#### The U.S. and California Clean Air Acts, and Environment and Climate Change Canada (ECCC)

U.S. EPA, California and Canadian regulations require all manufacturers to furnish written instructions describing the operation and maintenance of emission control systems.

The following instructions and procedures must be followed in order to keep the Honda engine emissions within the emission standards.



## Tampering and Altering

### NOTICE

*Tampering is a violation of federal and California law.*

Tampering with or altering the emission control system may increase emissions beyond the legal limit. Among those acts that constitute tampering are:

- Removal or alteration of any part of the intake, fuel, or exhaust systems.
- Altering or defeating the governor linkage or speed-adjusting mechanism to cause the engine to operate outside its design parameters.

### Problems That May Affect Emissions

If you are aware of any of the following symptoms, have your engine inspected and repaired by your servicing dealer.

- Hard starting or stalling after starting.
- Rough idle.
- Misfiring or backfiring under load.
- Afterburning (backfiring).
- Black exhaust smoke or high fuel consumption.

### Replacement Parts

The emissions control systems on your new Honda engine were designed, built, and certified to conform with EPA, California, and Canadian emissions regulations. We recommend the use of Honda Genuine parts whenever you have maintenance done. These original-design replacement parts are manufactured to the same standards as the original parts, so you can be confident of their performance. Honda cannot deny coverage under the emission warranty solely for the use of non-Honda replacement parts or service performed at a location other than an authorized Honda dealership; you may use comparable EPA certified parts, and have service performed at non-Honda locations. However, the use of replacement parts that are not of the original design and quality may impair the effectiveness of your emissions control system.

A manufacturer of an aftermarket part assumes the responsibility that the part will not adversely affect emissions performance. The manufacturer or rebuilder of the part must certify that use of the part will not result in a failure of the engine to comply with emissions regulations.

### Maintenance

As the power equipment engine owner, you are responsible for completing all required maintenance listed in your owner's manual. Honda recommends that you retain all receipts covering maintenance on your power equipment engine, but Honda cannot deny warranty coverage solely for the lack of receipts or for your failure to ensure that all scheduled maintenance has been completed.

Follow the MAINTENANCE SCHEDULE on page 4.

Remember that this schedule is based on the assumption that your engine will be used for its designed purpose. Sustained high-load or high-temperature operation, or use in dusty conditions, will require more frequent service.

## Air Index

### (Models certified for sale in California)

An Air Index Information label is applied to engines certified to an emission durability time period in accordance with the requirements of the California Air Resources Board.

The bar graph is intended to provide you, our customer, the ability to compare the emissions performance of available engines. The lower the Air Index, the less pollution.

The durability description is intended to provide you with information relating to the engine's emission durability period. The descriptive term indicates the useful life period for the engine's emission control system. See your *Emission Control System Warranty* for additional information.

Descriptive Term	Applicable to Emissions Durability Period
Moderate	50 hours (0–80 cc, inclusive) 125 hours (greater than 80 cc)
Intermediate	125 hours (0–80 cc, inclusive) 250 hours (greater than 80 cc)
Extended	300 hours (0–80 cc, inclusive) 500 hours (greater than 80 cc) 1,000 hours (225 cc and greater)

The Air Index Information hang tag/label must remain on the engine until it is sold. Remove the hang tag before operating the engine.

## Specifications

### GX25 (Basic types)

Description code	GX25T	GX25NT
	GCALT	GCART
Length×Width×Height	198×221×230 mm (7.8×8.7×9.1 in)	
Dry mass [weight]	2.90 kg (6.39 lbs)	
Engine type	4-stroke, overhead camshaft, single cylinder	
Displacement [Bore×Stroke]	25.0 cm <sup>3</sup> (1.53 cu-in) [35.0×26.0 mm (1.4×1.0 in)]	
Net power <small>(in accordance with SAE J1349*)</small>	0.72 kW (1.0 bhp, 1.0 PS) at 7,000 min <sup>-1</sup> (rpm)	
Max. Net torque <small>(in accordance with SAE J1349*)</small>	1.0 N·m (0.74 lbf·ft, 0.10 kgf·m) at 5,000 min <sup>-1</sup> (rpm)	
Engine oil capacity	0.08 L (2 US oz, 0.07 Imp qt)	
Fuel tank capacity	0.53 L (0.140 US gal, 0.117 Imp gal)	
Cooling system	Forced air	
Ignition system	Transistor magneto	
PTO shaft rotation	Counterclockwise	

### GX35 (Basic types)

Description code	GX35T	GX35NT
	GCAMT	GCAST
Length×Width×Height	205×234×240 mm (8.1×9.2×9.4 in)	
Dry mass [weight]	3.46 kg (7.63 lbs)	
Engine type	4-stroke, overhead camshaft, single cylinder	
Displacement [Bore×Stroke]	35.8 cm <sup>3</sup> (2.18 cu-in) [39.0×30.0 mm (1.5×1.2 in)]	
Net power <small>(in accordance with SAE J1349*)</small>	1.0 kW (1.3 bhp, 1.4 PS) at 7,000 min <sup>-1</sup> (rpm)	
Max. Net torque <small>(in accordance with SAE J1349*)</small>	1.6 N·m (1.2 lbf·ft, 0.16 kgf·m) at 5,500 min <sup>-1</sup> (rpm)	
Engine oil capacity	0.10 L (3 US oz, 0.09 Imp qt)	
Fuel tank capacity	0.63 L (0.166 US gal, 0.139 Imp gal)	
Cooling system	Forced air	
Ignition system	Transistor magneto	
PTO shaft rotation	Counterclockwise	

### GX50 (Basic types)

Description code	GX50T	GX50NT
	GCCFT	GCCGT
Length×Width×Height	199×260×263 mm (7.8 ×10.2 ×10.4 in)	
Dry mass [weight]	4.13 kg (9.10 lbs)	4.15 kg (9.15 lbs)
Engine type	4-stroke, overhead camshaft, single cylinder	
Displacement [Bore×Stroke]	47.9 cm <sup>3</sup> (2.92 cu-in) [43.0×33.0 mm (1.7×1.3 in)]	
Net power <small>(in accordance with SAE J1349*)</small>	1.47 kW (2.0 bhp, 2.0 PS) at 7,000 min <sup>-1</sup> (rpm)	
Max. Net torque <small>(in accordance with SAE J1349*)</small>	2.1 N·m (1.5 lbf·ft, 0.21 kgf·m) at 5,000 min <sup>-1</sup> (rpm)	
Engine oil capacity	0.13 L (4 US oz, 0.11 Imp qt)	
Fuel tank capacity	0.63 L (0.166 US gal, 0.139 Imp gal)	
Cooling system	Forced air	
Ignition system	Transistor magneto	
PTO shaft rotation	Counterclockwise	

\* The power rating of the engine indicated in this document is the net power output tested on a production engine for the engine model and measured in accordance with SAE J1349 at 7,000 min<sup>-1</sup>(rpm) (Net Power) and at GX25/GX50: 5,000 min<sup>-1</sup>(rpm), GX35: 5,500 min<sup>-1</sup>(rpm) (Max. Net Torque). Mass production engines may vary from this value. Actual power output for the engine installed in the final machine will vary depending on numerous factors, including the operating speed of the engine in application, environmental conditions, maintenance, and other variables.

### Tuneup Specifications

ITEM	SPECIFICATION	MAINTENANCE
Spark plug gap	0.6–0.7 mm (0.024–0.028 in)	Refer to page 6
Idle speed	3,100±200 min <sup>-1</sup> (rpm)	See your authorized Honda dealer
Valve clearance (cold)	IN: 0.08±0.02 mm EX: 0.11±0.02 mm	
Other specifications	No other adjustments needed.	

### Quick Reference Information

Fuel	Unleaded gasoline (Refer to page 4)	
	U.S.	Pump octane rating 86 or higher
	Except U.S.	Research octane rating 91 or higher Pump octane rating 86 or higher
Engine oil	SAE 10W-30, API SJ or later, for general use. Refer to page 5.	
Spark plug	CM5H (NGK) CMR5H (NGK)	
Maintenance	Before each use:	
	<ul style="list-style-type: none"> <li>• Check engine oil level. Refer to page 5.</li> <li>• Check air filter. Refer to page 5.</li> </ul>	
	First 10 hours: Change engine oil. Refer to page 5.	
	Subsequent: Refer to the maintenance schedule on page 4.	

### Wiring Diagrams

See Figure 21, page A-4.

Engine switch type: See Figure 22, page A-4.

## CONSUMER INFORMATION

### Warranty and Distributor/Dealer Locator Information

#### United States, Puerto Rico, and U.S. Virgin Islands:

Visit our website: [www.honda-engines.com](http://www.honda-engines.com)

#### Canada:

Call (888) 9HONDA9

or visit our website: [www.honda.ca](http://www.honda.ca)

#### For European Area:

Visit our website: <http://www.honda-engines-eu.com>

### Customer Service Information

Servicing dealership personnel are trained professionals. They should be able to answer any question you may have. If you encounter a problem that your dealer does not solve to your satisfaction, please discuss it with the dealership's management. The Service Manager, General Manager, or Owner can help.

Almost all problems are solved in this way.

#### United States, Puerto Rico, and U.S. Virgin Islands:

If you are dissatisfied with the decision made by the dealership's management, contact the Honda Regional Engine Distributor for your area.

If you are still dissatisfied after speaking with the Regional Engine Distributor, you may contact the Honda Office as shown.

#### All Other Areas:

If you are dissatisfied with the decision made by the dealership's management, contact the Honda Office as shown.

#### «Honda's Office»

When you write or call, please provide this information:

- Equipment manufacturer's name and model number that the engine is mounted on
- Engine model, serial number, and type (see page 10)
- Name of dealer who sold the engine to you
- Name, address, and contact person of the dealer who services your engine
- Date of purchase
- Your name, address and telephone number
- A detailed description of the problem

#### United States, Puerto Rico, and U.S. Virgin Islands:

##### American Honda Motor Co., Inc.

Power Equipment Division  
Customer Relations Office  
4900 Marconi Drive  
Alpharetta, GA 30005-8847

Or telephone: (770) 497-6400, 8:30 am - 7:00 pm ET

#### Canada:

##### Honda Canada, Inc.

Please visit [www.honda.ca](http://www.honda.ca)  
for address information

Telephone: (888) 9HONDA9 Toll free  
(888) 946-6329

Facsimile: (877) 939-0909 Toll free

#### For European Area:

##### Honda Motor Europe Logistics NV.

European Engine Center

<http://www.honda-engines-eu.com>

#### All Other Areas:

Please contact the Honda distributor in your area for assistance.

## Honda General Purpose Engine International Warranty

The Honda General Purpose Engine installed on this brand product is covered by a Honda General Purpose Engine Warranty, on the following assumptions.

- The warranty conditions conform to those for the general purpose engine established by Honda for each country.
- The warranty conditions apply to engine failures caused by any manufacturing or specification problem.
- The warranty does not apply to countries where there is no Honda distributor.

#### To obtain warranty service:

You must take your Honda general purpose engine, or the equipment in which it is installed, together with proof of original retail purchase date to a Honda engine dealer authorized to sell that product in your country or the dealer who you purchased your product from. To locate a Honda distributor/dealer near you or check warranty condition in your country, visit our global service information website

<https://www.hpsv.com/ENG/> or contact distributor in your country.

#### Exclusions:

This engine warranty does not include the following:

1. Any damage or deterioration resulting from the following:
  - Neglect of the periodic maintenance as specified in the engine owner's manual
  - Improper repair or maintenance
  - Operating methods other than those indicated in the engine owner's manual
  - Damage caused by the product on which the engine is installed
  - Damage caused by conversion to, or use of, fuel other than the fuel(s) that the engine was originally manufactured to use, as set forth in the engine owner's manual and/or warranty booklet
  - The use of non-genuine Honda parts and accessories, other than those approved by Honda (other than recommended lubricants and fluids) (does not apply to the emissions warranty unless non-genuine part used is not comparable to Honda part and was cause of the failure)
  - Exposure of the product to soot and smoke, chemical agents, bird droppings, sea water, sea breeze, salt or other environmental phenomena
  - Collision, fuel contamination or deterioration, neglect, unauthorized alteration, or misuse
  - Natural wear and tear (natural fading of painted or plated surfaces, sheet peeling and other natural deterioration)
2. Consumable parts: Honda does not warrant parts deterioration due to normal wear and tear. The parts listed below are not covered by warranty (unless they are needed as a part of another warranty repair):
  - Spark plug, fuel filter, air cleaner element, clutch disc, recoil starter rope
  - Lubricant: oil and grease
3. Cleaning, adjustment, and normal periodic maintenance work (carburetor cleaning and engine oil draining).
4. Use of the Honda general purpose engine for racing or competition.
5. Any engine that is part of a product that has ever been declared a total loss or sold for salvage by a financial institution or insurer.

### About SERVICE & SUPPORT Label

There may be the SERVICE & SUPPORT label\* affixed to the Honda General Purpose Engine. As you visit our website by scanning this two-dimensional barcode (QR code), you will find service information.

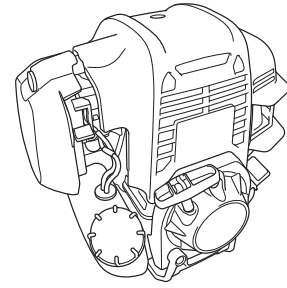
\* This label is not affixed to all models.



[https://www.hondappsv.com/ENG/QR/GX25\\_35\\_50/](https://www.hondappsv.com/ENG/QR/GX25_35_50/)

## MANUEL DE L'UTILISATEUR

### GX25 • GX35 • GX50



Les illustrations de ce manuel sont basées sur le GX50.  
• Les illustrations peuvent varier en fonction du type.

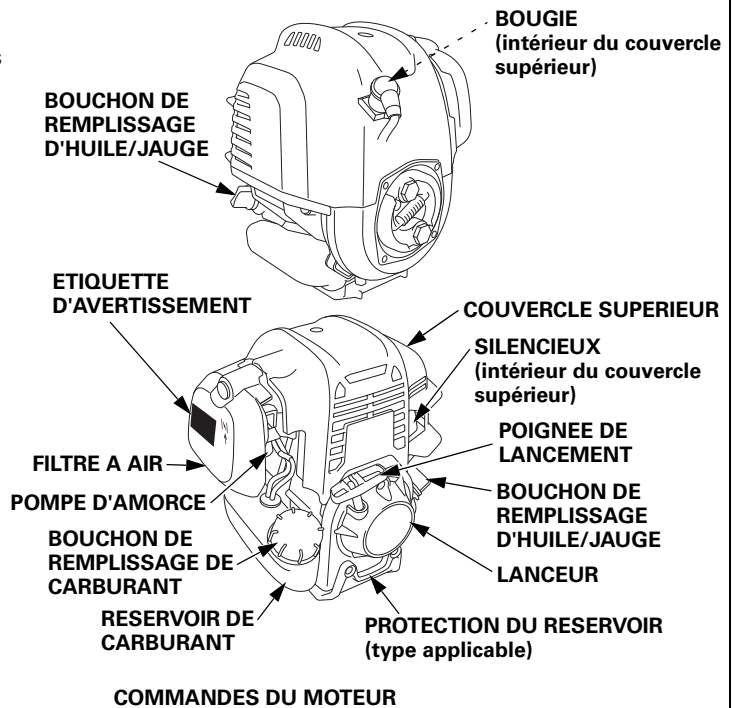
#### ATTENTION

Les gaz d'échappement de ce moteur contiennent des produits chimiques connus dans l'Etat de Californie pour provoquer le cancer, des anomalies congénitales ou autres affections reproductives.

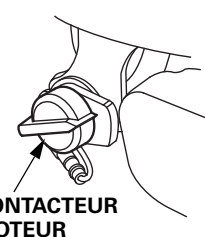
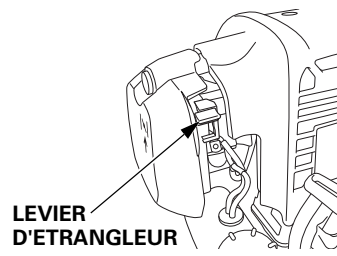
### EMPLACEMENT DE L'ETIQUETTE DE SECURITE / EMBLACEMENT DES COMPOSANTS ET DES CONTROLES

Cette étiquette met en garde contre les risques potentiels de blessures graves. Lire attentivement son contenu. Si l'étiquette se décolle ou devient illisible, s'adresser au concessionnaire réparateur pour son remplacement.

ETIQUETTE D'AVERTISSEMENT	Pour l'UE	Sauf l'UE
	fixée au produit	fournie avec le produit
	fournie avec le produit	fixée au produit
	fournie avec le produit	fournie avec le produit



#### COMMANDES DU MOTEUR



GX25/GX35 : types applicables

L'essence est hautement inflammable et explosive. Avant de faire le plein de carburant, arrêter le moteur et le laisser refroidir.

Le moteur émet du monoxyde de carbone toxique. Ne pas le faire tourner dans un endroit clos.

Lire le manuel de l'utilisateur avant l'utilisation.

## INTRODUCTION

Nous vous remercions d'avoir porté votre choix sur un moteur Honda. Nous désirons vous aider à faire le meilleur usage de votre nouveau moteur et à l'utiliser en sécurité. Vous trouverez dans ce manuel des informations sur la manière d'y parvenir; veuillez le lire attentivement avant d'utiliser le moteur. En cas de problème ou pour toute question concernant votre moteur, veuillez vous adresser à votre concessionnaire réparateur.

Toutes les informations de cette publication sont basées sur les dernières informations sur le produit disponibles au moment de l'impression. Honda Motor Co., Ltd. se réserve le droit de procéder à des modifications à tout moment sans préavis et sans obligation de sa part. Aucune partie de cette publication ne peut être reproduite sans autorisation écrite.

Ce manuel doit être considéré comme faisant partie du moteur et doit l'accompagner en cas de revente.

Pour de plus amples informations sur le démarrage, l'arrêt, l'utilisation et les réglages du moteur ou pour des instructions sur tout entretien spécial, consultez les instructions accompagnant l'équipement commandé par ce moteur.


Etats-Unis, Porto Rico et Iles vierges des Etats-Unis : Nous vous conseillons de lire le bulletin de garantie afin de bien comprendre l'étendue de la garantie et vos responsabilités en tant que propriétaire. La politique de garantie est un document séparé qui devrait vous avoir été remis par votre concessionnaire.

## SOMMAIRE

EMPLACEMENT DE L'ETIQUETTE DE SECURITE /	FILTRE A CARBURANT ET RESERVOIR DE CARBURANT .....	7
EMPLACEMENT DES COMPOSANTS ET DES	PARE-ETINCELLES .....	7
CONTROLES.....	DEPOSE/REPOSE DU TUBE A AIR CHAUD .....	8
INTRODUCTION.....	AIR CHAUD .....	8
MESSAGES DE SECURITE.....	CONSEILS ET SUGGESTIONS UTILES .....	8
INFORMATIONS DE SECURITE...1	REMISAGE DU MOTEUR....	8
PARTICULARITES .....	TRANSPORT .....	9
CONTROLES AVANT	EN CAS DE PROBLEME	
L'UTILISATION.....	INATTENDU .....	9
UTILISATION.....	INFORMATIONS TECHNIQUES ET DU CONSOMMATEUR ...	10
CONSIGNES DE SECURITE D'UTILISATION.....	Emplacement du numéro de série.....	10
DEMARRAGE DU MOTEUR... 2	Trianglerie de commande à distance.....	10
REGLAGE DU REGIME MOTEUR .....	Modifications à apporter au carburateur pour un fonctionnement à haute altitude .....	10
ARRET DU MOTEUR .....	Informations sur le système antipollution .....	10
ENTRETIEN DU MOTEUR .....	Indice de qualité de l'air ...	11
L'IMPORTANT DE L'ENTRETIEN .....	Spécifications .....	12
SECURITE D'ENTRETIEN ... 3	Caractéristiques de mise au point .....	12
CONSIGNES DE SECURITE ... 3	Informations de référence rapide .....	12
PROGRAMME D'ENTRETIEN...4	Schémas de câblage .....	12
REMPLISSAGE EN CARBURANT.....	INFORMATIONS DU CONSOMMATEUR .....	13
HUILE MOTEUR.....	Garantie et informations de localisation de distributeur/ concessionnaire .....	13
Huile recommandée .....	Informations de service à la clientèle.....	13
Vérification du niveau d'huile .....		
Renouvellement d'huile... 5		
FILTRE A AIR.....		
Contrôle .....		
Nettoyage .....		
BOUGIE .....		
AILETTES DE REFROIDISSEMENT .....		

## MESSAGES DE SECURITE

Votre sécurité et celle des autres sont essentielles. Vous trouverez des messages de sécurité importants dans ce manuel et sur le moteur. Veuillez les lire attentivement.

Les messages de sécurité vous avertissent de risques potentiels de blessures pour vous et les autres. Chaque message de sécurité est précédé d'un symbole de mise en garde  et de l'une des trois mentions DANGER, ATTENTION ou PRECAUTION.

Ces mots-indicateurs signifient:

### DANGER

Le non-respect de ces instructions ENTRAINERA des BLESSURES GRAVES voire MORTELLES.

### ATTENTION

Le non-respect de ces instructions est SUSCEPTIBLE d'entraîner des BLESSURES GRAVES voire MORTELLES.

### PRECAUTION

Le non-respect de ces instructions est SUSCEPTIBLE d'entraîner des BLESSURES.

Chaque message vous indique quel est le danger, ce qui peut arriver et ce que vous pouvez faire pour éviter ou réduire les blessures.

## MESSAGES DE PREVENTION DES DOMMAGES

D'autres messages importants sont précédés du mot REMARQUE.

Cette mention signifie:

### REMARQUE

Votre moteur ou d'autres biens peuvent être endommagés si vous ne suivez pas ces instructions.

L'objet de ces messages est de vous aider à ne pas causer de dommages au moteur, à d'autres biens ou à l'environnement.

## INFORMATIONS DE SECURITE

- Comprenez bien le fonctionnement de toutes les commandes et apprenez comment arrêter le moteur rapidement en cas d'urgence. Veillez à ce que l'opérateur reçoive des instructions adéquates avant l'utilisation de l'équipement.
- Ne pas autoriser des enfants à utiliser le moteur. Eloigner les enfants et les animaux de la zone d'utilisation.
- Les gaz d'échappement du moteur contiennent du monoxyde de carbone toxique. Ne pas faire tourner le moteur sans une aération adéquate et ne jamais l'utiliser à l'intérieur.
- Le moteur et les gaz d'échappement deviennent très chauds pendant le fonctionnement. Maintenir une distance d'au moins 1 mètre entre le moteur et les immeubles et tout autre équipement pendant le fonctionnement. Ne pas approcher de matières inflammables et ne rien placer sur le moteur pendant son fonctionnement.

## PARTICULARITES

### Embrayage centrifuge

L'embrayage centrifuge s'enclenche automatiquement et transmet la puissance quand le régime du moteur monte à plus d'environ GX25/GX35 : 4 200 min<sup>-1</sup>(tr/min), GX50 : 4 400 min<sup>-1</sup>(tr/min). Au ralenti, l'embrayage n'est pas enclenché.

### REMARQUE

*Ne pas faire tourner le moteur sans le monter sur un équipement qui inclut le tambour et le carter de l'embrayage centrifuge, sinon les forces centrifuges forceront les masselottes d'embrayage à entrer en contact, ce qui endommagerait le carter du moteur.*



## CONTROLES AVANT L'UTILISATION

### LE MOTEUR EST-IL PRET A FONCTIONNER?

Pour la sécurité, la conformité aux réglementations environnementales et la longévité de l'équipement, il est important de consacrer quelques instants à vérifier l'état du moteur avant l'utilisation. Corriger tout problème constaté ou confier cette opération au concessionnaire avant l'utilisation.

#### **⚠ ATTENTION**

Un entretien incorrect de ce moteur ou l'absence de correction d'un problème avant l'utilisation peut entraîner un dysfonctionnement important.

Certains dysfonctionnements peuvent entraîner des blessures graves voire mortelles.

Toujours effectuer les contrôles avant l'utilisation avant chaque utilisation et corriger tout problème.

Avant de commencer les contrôles avant l'utilisation, s'assurer que le moteur est à l'horizontale et que le contacteur moteur se trouve sur la position ARRET.

Toujours vérifier les points suivants avant de mettre le moteur en marche:

#### Vérifier l'état général du moteur

1. Avant chaque utilisation, s'assurer qu'il n'y a pas de traces de fuites d'huile ou d'essence autour ou sous le moteur.
2. Enlever toute saleté ou débris excessifs, tout particulièrement autour du silencieux et du lanceur.
3. Vérifier qu'il n'y a pas de signes de dommages.
4. S'assurer que tous les protecteurs et couvercles sont en place et que tous les écrous, boulons et vis sont serrés.

#### Vérifier le moteur

1. Vérifier le niveau de carburant (voir page 4). Le fait de commencer avec un réservoir plein aide à éliminer ou à réduire les interruptions de fonctionnement pour refaire le plein.
2. Vérifier le niveau d'huile moteur (voir page 5). L'utilisation du moteur avec un niveau d'huile trop bas peut l'endommager.
3. Vérifier l'élément de filtre à air (voir page 5). Un élément de filtre à air sale limite le passage d'air vers le carburateur, ce qui diminue les performances du moteur.
4. Vérifier l'équipement commandé par ce moteur.

Pour les précautions et procédures à observer avant le démarrage du moteur, consulter les instructions accompagnant l'équipement commandé par ce moteur.

## UTILISATION

### CONSIGNES DE SECURITE D'UTILISATION

Avant d'utiliser le moteur pour la première fois, lire la section *INFORMATIONS DE SECURITE* à la page 1 et la section *CONTROLES AVANT L'UTILISATION*.

#### Dangers du monoxyde de carbone

Par sécurité, ne pas faire fonctionner le moteur dans un endroit clos tel qu'un garage. Les gaz d'échappement du moteur contiennent du monoxyde de carbone, un gaz toxique qui peut s'accumuler rapidement dans un endroit clos et provoquer une intoxication ou la mort.

#### **⚠ ATTENTION**

L'échappement contient du monoxyde de carbone gazeux nocif qui peut s'accumuler jusqu'à atteindre des niveaux dangereux dans des lieux clos.

L'inhalation de monoxyde de carbone peut provoquer une perte de conscience ou la mort.

Ne jamais faire tourner le moteur dans un endroit clos, même partiellement.

Pour les consignes de sécurité à observer au démarrage, lors de l'arrêt du moteur ou pendant l'utilisation, consulter les instructions accompagnant l'équipement fonctionnant avec ce moteur.

#### DEMARRAGE DU MOTEUR

Voir Figure 1, page A-2.

Se reporter aux instructions fournies avec l'équipement pour le levier des gaz et le contacteur moteur.

1. Pour démarrer un moteur froid, déplacer le levier d'étrangleur [1] en position FERMEE [A].  
  
Pour redémarrer un moteur chaud, laisser le levier d'étrangleur en position OUVRETE [B].
2. Appuyer sur la pompe d'amorçage [2] plusieurs fois jusqu'à ce que la pompe d'amorçage soit remplie de carburant. Même si la pompe d'amorçage est actionnée trop souvent, le carburant superflu retourne au réservoir de carburant. Si la pompe d'amorçage n'est pas suffisamment actionnée, il est possible que le moteur ne démarre pas.
3. Placer le contacteur moteur [3] sur la position MARCHE (I) [A].
4. Tirer doucement la poignée de lancement [4] jusqu'à ressentir une résistance, puis la tirer d'un coup sec dans le sens de la flèche [5]. Ramener doucement la poignée de lancement en arrière.

#### REMARQUE

*Ne pas laisser la poignée de lancement revenir brusquement contre le moteur.*

*Accompagner doucement son mouvement de retour pour ne pas risquer d'endommager le lanceur.*

5. Si le levier d'étrangleur a été déplacé en position FERMEE [A] pour démarrer le moteur, le déplacer graduellement en position OUVRETE [B] au fur et à mesure que le moteur se réchauffe.

## Redémarrage à chaud

Si le moteur est utilisé à des températures ambiantes plus élevées, l'arrêter puis le laisser reposer pendant un court moment, il est possible qu'il ne redémarre pas à la première tirée.

Si nécessaire, suivre la procédure suivante :

### PRECAUTIONS DE SECURITE IMPORTANTES

Placer le contacteur moteur sur la position ARRET avant de suivre la procédure qui suit. Ceci empêchera le moteur de se mettre en marche et de tourner à son régime maximum quand le levier des gaz est en position de régime MAX. Si le moteur démarre avec le levier des gaz en position de régime MAX., l'équipement peut se déplacer vers l'avant rapidement ou l'accessoire taille-bordure peut tourner à vitesse maximale. Ceci peut provoquer des blessures.

1. Placer le contacteur moteur sur la position ARRET (○) [B].
2. Placer le levier des gaz sur la position OUVERTE.
3. Maintenir le levier des gaz [6] de l'équipement en position MAX. [B].
4. Tirer la poignée de lancement 3 à 5 fois.

Suivre la procédure de DEMARRAGE DU MOTEUR, page 2, et démarrer le moteur avec le levier d'étrangleur en position OUVERTE.

## REGLAGE DU REGIME MOTEUR

Placer le levier des gaz sur la position correspondant au régime moteur désiré.

Pour les recommandations de régime moteur, consulter les instructions accompagnant l'équipement commandé par ce moteur.

## ARRET DU MOTEUR

Pour arrêter le moteur en cas d'urgence, placer simplement le contacteur moteur sur la position ARRET (○). Dans les conditions normales, utiliser la procédure suivante.

1. Placer le levier des gaz sur la position MIN. (☛) [A].
2. Placer le contacteur moteur sur la position ARRET (○).

## ENTRETIEN DU MOTEUR

### L'IMPORTANCE DE L'ENTRETIEN

Un bon entretien est essentiel pour un fonctionnement sûr, économique et sans problème. Il contribue également à réduire la pollution.

#### ⚠ ATTENTION

Un entretien incorrect de ce moteur ou l'absence de correction d'un problème avant l'utilisation peut entraîner un dysfonctionnement important.

Certains dysfonctionnements peuvent entraîner des blessures graves voire mortelles.

Toujours observer les recommandations et programmes de contrôle et d'entretien figurant dans ce manuel.

Pour permettre d'entretenir correctement le moteur, on trouvera aux pages suivantes un programme d'entretien, des procédures de contrôle de routine et des procédures d'entretien simples pouvant être effectuées avec des outils à main de base. D'autres opérations d'entretien plus difficiles ou demandant des outils spéciaux seront mieux exécutées par des professionnels et devront normalement être confiées à un technicien Honda ou à un autre mécanicien qualifié.

Le programme d'entretien s'applique à des conditions d'utilisation normales.

Si le moteur est utilisé dans des conditions difficiles telles qu'un fonctionnement prolongé sous une charge élevée ou par haute température, ou dans des conditions anormalement humides ou poussiéreuses, demander au concessionnaire réparateur Honda des recommandations adaptées à vos besoins et à votre usage particuliers.

**L'entretien, le remplacement ou la réparation des dispositifs et systèmes de contrôle des émissions peuvent être réalisés par un établissement de réparation de moteurs ou un réparateur individuel en utilisant des pièces qui sont « certifiées » conformes aux normes EPA.**

### SECURITE D'ENTRETIEN

Certaines des consignes de sécurité les plus importantes sont indiquées ci-dessous. Il ne nous est toutefois pas possible de vous avertir de tous les dangers imaginables que vous pouvez rencontrer en exécutant l'entretien. Vous êtes seul juge de décider si vous devez ou non effectuer un travail donné.

#### ⚠ ATTENTION

Un entretien incorrect peut entraîner des problèmes de sécurité.

En n'observant pas correctement les instructions et précautions d'entretien, on s'expose à de graves blessures ou à un danger de mort.

Toujours observer les procédures et précautions de ce manuel.

### CONSIGNES DE SECURITE

- Avant de commencer un entretien ou une réparation, s'assurer que le moteur est arrêté. Déconnecter le capuchon de bougie pour ne pas risquer un démarrage involontaire. Ceci éliminera plusieurs risques potentiels:
  - **Empoisonnement par le monoxyde de carbone présent dans les gaz d'échappement.**  
Utiliser le moteur à l'extérieur loin de toute fenêtre ou porte ouverte.
  - **Brûlures provoquées par des pièces à haute température.**  
Attendre que le moteur et le système d'échappement se soient refroidis avant de les toucher.
  - **Blessures par pièces mobiles.**  
Ne faire tourner le moteur que si cela est indiqué dans les instructions.

- Lire les instructions avant de commencer et s'assurer que l'on dispose de l'outillage et des compétences nécessaires.
  - Pour diminuer les risques d'incendie ou d'explosion, agir avec prudence lorsque l'on travaille à proximité d'essence. Pour nettoyer les pièces, n'utiliser que des solvants ininflammables et non de l'essence. Ne pas approcher de cigarettes, étincelles ou flammes des pièces du système d'alimentation en carburant.
- Ne pas oublier que c'est le concessionnaire Honda agréé qui connaît le mieux le moteur et qu'il est parfaitement outillé pour son entretien et sa réparation.
- Pour garantir qualité et fiabilité des réparations, n'utiliser que des pièces Honda d'origine ou leurs équivalents.

## PROGRAMME D'ENTRETIEN

PERIODICITE D'ENTRETIEN (3) Exécuter l'entretien selon la périodicité indiquée en mois ou en heures de fonctionnement, à la première des deux échéances.		Avant chaque utilisation	Premier mois ou 10 h.	Tous les 3 mois ou 25 h.	Tous les 6 mois ou 50 h.	Tous les ans ou 100 h.	Tous les 2 ans ou 300 h.	Se reporter à la page
<b>POSTE</b>								
Huile moteur	Contrôle du niveau	o (6)						5
	Renouvellement		o		o			
Filtre à air	Contrôle	o (6)						5
	Nettoyer			o (1)				
	Remplacement					o (5)		
Bougie	Contrôle-réglage					o		6
	Remplacement						o	
Courroie de distribution	Contrôle	Toutes les 300 h (2) (4)						Manuel d'atelier
Pare-étincelles (types applicables)	Nettoyer					o		7
Filtre d'échappement (types applicables)	Nettoyer					o		7
Ailettes de refroidissement du moteur	Contrôle-nettoyage				o			6
Ecrous, boulons, fixations (Resserrer si nécessaire)	Contrôle	o						2
Masselottes d'embrayage	Contrôle				o (2)			Manuel d'atelier
Régime de ralenti	Contrôle-réglage					o (2)		Manuel d'atelier
Jeu aux soupapes	Contrôle-réglage					o (2)		Manuel d'atelier
Chambre de combustion	Nettoyer	Toutes les 300 h (2)						Manuel d'atelier
Filtre à carburant et réservoir de carburant	Nettoyer					o		7
Tuyaux de carburant	Contrôle	Tous les 2 ans (Remplacer si nécessaire) (2)						Manuel d'atelier
Tuyau d'huile	Contrôle	Tous les 2 ans (Remplacer si nécessaire) (2)						Manuel d'atelier

- (1) Réduire la périodicité d'entretien en cas d'utilisation dans de mauvaises conditions comme dans des endroits poussiéreux.
- (2) Confier l'entretien de ces points au concessionnaire réparateur à moins de disposer des outils appropriés et d'avoir les compétences requises en mécanique. Pour les procédures d'entretien, consulter le manuel d'atelier Honda.
- (3) Pour une utilisation commerciale, consigner le nombre d'heures de fonctionnement afin de déterminer la périodicité d'entretien appropriée.
- (4) Vérifier l'absence de fissures et d'usure anormale de la courroie et remplacer la pièce si nécessaire.
- (5) Remplacer les éléments de filtre à air en papier (GX35, GX50) uniquement.
- (6) Nettoyer ou remplacer quand l'aspect est très sale.

L'inobservation de ce programme d'entretien peut entraîner des problèmes non couverts par la garantie.

## REPLISSAGE EN CARBURANT

Voir Figure 2, page A-2.

### Carburant recommandé

Essence sans plomb		
	Etats-Unis	Indice d'octane à la pompe de 86 ou plus
	Sauf les Etats-Unis	Indice d'octane recherche de 91 ou plus
		Indice d'octane à la pompe de 86 ou plus

Specification(s) du carburant nécessaire(s) à la bonne performance du système de contrôle des émissions : Carburant E10 indique dans le règlement UE.

Ce moteur est certifié comme fonctionnant avec de l'essence sans plomb avec un indice d'octane à la pompe de 86 ou plus (indice d'octane recherche de 91 ou plus).

Faire le plein dans un endroit bien aéré avec le moteur arrêté. Si le moteur a tourné, il faut d'abord le laisser refroidir. Ne jamais refaire le plein à l'intérieur d'un bâtiment où les vapeurs d'essence pourraient entrer en contact avec des flammes ou des étincelles.

Il est possible d'utiliser de l'essence sans plomb ne contenant pas plus de 10 % d'éthanol (E10) ou 5 % de méthanol par volume. De plus, le méthanol doit contenir des cosolvants et des inhibiteurs de corrosion. L'utilisation de carburants dont le contenu en éthanol ou en méthanol est supérieur à celui indiqué ci-dessus peut provoquer des problèmes de démarrage et/ou de performance. Ceci risque aussi d'endommager les pièces en métal, en caoutchouc et en plastique du système d'alimentation en carburant. Tout dommage ou problème de performance provoqué par l'utilisation d'un carburant dont le pourcentage d'éthanol ou de méthanol est supérieur à celui indiqué ci-dessus n'est pas couvert par la garantie.

Si l'équipement va être utilisé de manière occasionnelle ou intermittente, se reporter à la section « Carburant » du chapitre « REMISAGE DU MOTEUR » (voir page 8) pour des informations supplémentaires concernant la détérioration du carburant.

Ne jamais utiliser de l'essence viciée ou contaminée ou un mélange d'huile/essence.

Eviter la pénétration de saleté ou d'eau dans le réservoir de carburant.

### ATTENTION

L'essence est hautement inflammable et explosive.

La manipulation du carburant peut entraîner des brûlures ou des blessures graves.

- Avant de manipuler du carburant, arrêter le moteur et le laisser refroidir.
- Ne pas approcher de sources de chaleur, étincelles ou flammes.
- Ne manipuler le carburant qu'à l'extérieur.
- S'éloigner du véhicule.
- Essuyer immédiatement tout déversement.

### Vérification du niveau de carburant

#### REMARQUE

Le carburant peut endommager la peinture et certains types de plastique. Faire attention de ne pas renverser de carburant au moment de remplir le réservoir. Les dommages provoqués par du carburant renversé ne sont pas couverts par la Garantie limitée du distributeur.

1. Vérifier le niveau de carburant visuellement depuis l'extérieur du réservoir de carburant tout en maintenant la goulotte de remplissage verticalement.
2. Si le niveau de carburant est bas, faire le plein dans un endroit bien aéré avec le moteur arrêté. Si le moteur a tourné, le laisser refroidir.

Enlever le bouchon de remplissage de carburant [1], et remplir le réservoir avec de l'essence jusqu'en bas de la goulotte de remplissage. Faire attention pendant le remplissage de ne pas renverser de carburant. Ne pas trop remplir. Il ne doit pas y avoir de carburant dans la goulotte de remplissage. Une fois le plein réalisé, serrer le bouchon de remplissage de carburant fermement.

Eloigner l'essence des témoins pilotes des appareils, des barbecues, des appareils électriques, des outils électriques, etc.

Le carburant renversé présente non seulement un danger d'incendie mais nuit également à l'environnement. Essuyer immédiatement tout déversement.

## HUILE MOTEUR

L'huile est un facteur déterminant pour la performance et la durée de service.

Utiliser une huile détergente automobile à 4 temps.

### Huile recommandée

Voir Figure 3, page A-2.

Utiliser une huile moteur 4 temps répondant au minimum aux prescriptions pour la classification de service API SJ ou ultérieure (ou équivalente). Toujours vérifier l'étiquette de service API sur le bidon d'huile pour s'assurer qu'elle porte bien la mention SJ ou ultérieure (ou équivalente).

Spécifications d'huile lubrifiante nécessaires à la bonne performance du système de contrôle des émissions : Huile d'origine Honda.

L'indice SAE 10W-30 est préconisé pour un usage général. Les autres viscosités indiquées dans le tableau peuvent être utilisées lorsque la température moyenne du lieu d'utilisation se trouve dans la plage indiquée.

### Vérification du niveau d'huile

Voir Figure 4, page A-2.

Vérifier le niveau d'huile moteur avant chaque utilisation, ou toutes les 10 heures en cas d'utilisation continue.

Contrôler le niveau d'huile moteur avec le moteur arrêté et à l'horizontale.

1. Retirer le bouchon de remplissage d'huile/jauge [1] et l'essuyer.
2. Insérer et enlever le bouchon de remplissage d'huile/jauge sans le visser dans la goulotte de remplissage d'huile, puis l'enlever pour vérifier le niveau d'huile indiqué sur la jauge.
3. Si le niveau d'huile est proche ou en dessous de la marque de limite sur la jauge, remplir jusqu'au bord inférieur de l'orifice de remplissage d'huile [2] avec l'huile recommandée. Pour éviter de trop remplir ou de ne pas remplir assez, veiller à ce que le moteur soit de niveau, comme illustré, pendant l'ajout d'huile.
4. Reposer le bouchon de remplissage d'huile/jauge et le serrer à fond.

#### REMARQUE

*L'utilisation du moteur avec un niveau d'huile trop bas peut l'endommager. Ce type de dommage n'est pas couvert par la Garantie limitée du distributeur.*

### Renouvellement d'huile

Voir Figure 5, page A-2.

Vidanger l'huile usagée lorsque le moteur est chaud. La vidange s'effectue plus rapidement et plus complètement lorsque l'huile est chaude.

1. Vérifier que le bouchon de remplissage de carburant [1] est bien serré.
2. Placer un récipient adéquat en dessous du moteur pour récupérer l'huile usagée.
3. Enlever le bouchon de remplissage d'huile/jauge et vidanger l'huile dans le récipient en inclinant le moteur vers la goulotte de remplissage d'huile [2].

#### REMARQUE

*Se débarrasser de l'huile moteur usagée d'une manière compatible avec l'environnement. Nous conseillons de la porter dans un récipient fermé à la déchetterie locale ou à une station-service pour qu'elle soit recyclée. Ne pas la jeter aux ordures ni la déverser à terre ou dans un égout.*

4. Avec le moteur de niveau, remplir jusqu'au bord inférieur de l'orifice de remplissage d'huile avec l'huile recommandée.

Il restera de l'huile dans le moteur après la vidange. Pour refaire le plein avec de l'huile fraîche, commencer par une quantité inférieure à la capacité en huile moteur. Ajouter lentement une quantité suffisante d'huile pour remplir jusqu'au bord inférieur de l'orifice de remplissage d'huile.

Capacité en huile moteur : GX25 : 0,08 L  
GX35 : 0,10 L  
GX50 : 0,13 L

#### REMARQUE

*L'utilisation du moteur avec un niveau d'huile trop bas ou trop élevé peut l'endommager. Ce type de dommage n'est pas couvert par la Garantie limitée du distributeur.*

5. Remettre le bouchon de remplissage d'huile/jauge en place fermement.

Si de l'huile a été renversée, veiller à bien l'essuyer.

## FILTRE A AIR

Un filtre à air sale restreint le passage d'air vers le carburateur et réduit ainsi les performances du moteur. Si l'on utilise le moteur dans des endroits très poussiéreux, nettoyer l'élément du filtre à air plus souvent qu'il n'est indiqué dans le PROGRAMME D'ENTRETIEN (voir page 4).

#### REMARQUE

*Faire fonctionner le moteur sans élément de filtre à air ou avec un élément de filtre à air abîmé risque de laisser pénétrer de la saleté, provoquant ainsi une usure rapide du moteur. Ce type de dommage n'est pas couvert par la Garantie limitée du distributeur.*

### Contrôle (type à élément de filtre à air en mousse)

Voir Figure 6, page A-2.

Appuyer sur la languette de verrouillage [1] en haut du couvercle du filtre à air, et enlever le couvercle [2]. Inspecter l'élément de filtre à air [3]. Nettoyer ou remplacer l'élément de filtre à air sale. Toujours remplacer l'élément de filtre à air s'il est endommagé.

Réinstaller l'élément de filtre à air et le couvercle de filtre à air fermement.

Se reporter aux instructions de nettoyage pour le filtre à air et l'élément de filtre comme suit.

### Nettoyage (type à élément de filtre à air en mousse)

Voir Figures 7, page A-3.

1. Nettoyer l'élément de filtre dans de l'eau savonneuse chaude, le rincer et le laisser sécher complètement. On pourra également le nettoyer dans un solvant ininflammable, puis le laisser sécher.
2. Tremper l'élément filtrant dans de l'huile moteur propre, puis en éliminer toute huile en excès. S'il reste trop d'huile dans l'élément, le moteur émettra de la fumée au démarrage.
3. Essuyer la saleté du corps et du couvercle du filtre à air à l'aide d'un chiffon humide. Attention d'éviter que la saleté ne pénètre dans le carburateur.
4. Réinstaller l'élément de filtre et le couvercle du filtre à air fermement.



### Contrôle (type à élément de filtre à air en papier)

Voir Figures 8, page A-3.

Desserrer la vis [1] et enlever le couvercle du filtre à air [2]. Inspecter l'élément de filtre à air [3]. Nettoyer ou remplacer l'élément de filtre à air sale. Toujours remplacer l'élément de filtre à air s'il est endommagé. Réinstaller l'élément de filtre à air et le couvercle du filtre à air et serrer la vis fermement.

Se reporter aux instructions de nettoyage comme suit.

### Nettoyage (type à élément de filtre à air en papier)

Voir Figure 9, page A-3.

1. Desserrer la vis [1] et enlever le couvercle du filtre à air [2].
2. Enlever l'élément de filtre à air en papier [3] du corps du filtre à air.
3. Contrôler l'élément de filtre à air et le remplacer s'il est endommagé. Toujours remplacer l'élément filtrant en papier aux intervalles prévus dans le programme d'entretien (voir page 4).
4. Nettoyer l'élément de filtre à air s'il doit être réutilisé. Voir Figure 9, page A-3.

Tapoter doucement l'élément de filtre en papier à plusieurs reprises sur une surface dure pour en détacher la saleté ou appliquer un jet d'air comprimé [200 kPa (2,0 kgf/cm<sup>2</sup>, 29 psi) maximum] à travers l'élément filtrant depuis le côté du corps du filtre à air. Ne jamais essayer de faire partir la saleté avec une brosse; ceci ne ferait qu'enfoncer la saleté dans les fibres. Remplacer l'élément de filtre à air en papier s'il est excessivement sale.

5. Essuyer la saleté à l'intérieur du corps et du couvercle du filtre à air à l'aide d'un chiffon humide. Veiller à ce que la saleté ne pénètre pas dans le conduit d'air menant au carburateur.
6. Remettre l'élément de filtre à air en papier dans le corps du filtre à air.
7. Reposer le couvercle du filtre à air et serrer la vis fermement.

### BOUGIE

Voir Figure 10, page A-3.

**Bougie recommandée :** CM5H (NGK), CMR5H (NGK)

La bougie recommandée possède l'indice thermique correct pour des températures normales de fonctionnement du moteur.

#### REMARQUE

*Une bougie incorrecte peut provoquer des dommages au moteur.*

Pour que les performances soient bonnes, la bougie doit avoir un écartement des électrodes correct et ne pas être encrassée.

1. Desserrer le boulon hexagonal [1] avec une clé hexagonale, puis enlever le couvercle supérieur [2].

### ⚠ PRECAUTION

Ne pas faire fonctionner le moteur quand le couvercle supérieur est enlevé.  
Ne pas tirer la poignée du lanceur quand le couvercle supérieur est enlevé.  
Il existe un risque de blessure à cause des pièces en rotation ou de brûlure avec le silencieux.

2. Déconnecter le capuchon de bougie [3] et nettoyer toute saleté autour de la bougie.
3. Déposer la bougie [4] avec une clé à bougie de 5/8 de pouce.
4. Contrôler la bougie. La remplacer si elle est endommagée ou très encrassée, si sa rondelle d'étanchéité [5] est en mauvais état ou si son électrode est usée.
5. Mesurer l'écartement des électrodes avec un calibre d'épaisseur à fils. Si nécessaire, le corriger en pliant l'électrode latérale. L'écartement des électrodes doit être de: 0,6–0,7 mm
6. Reposer la bougie avec précaution à la main pour éviter de foirer son filetage.
7. Lorsque la bougie a touché son siège, continuer à la serrer avec une clé à bougie de 5/8 de pouce pour comprimer la rondelle d'étanchéité.

Si la bougie est neuve, la serrer de 1/2 tour après qu'elle a touché son siège pour comprimer la rondelle.

Si elle a déjà été utilisée, la serrer de 1/8 à 1/4 de tour après qu'elle a touché son siège pour comprimer la rondelle.

**COUPLE DE SERRAGE :** 11,8 N·m (1,2 kgf·m)

#### REMARQUE

*Une bougie insuffisamment serrée peut surchauffer et endommager le moteur. Un serrage excessif de la bougie peut endommager le filetage dans la culasse.*

8. Fixer le capuchon de bougie sur la bougie.
9. Poser le couvercle supérieur et serrer le boulon hexagonal fermement avec une clé hexagonale.

### AILETTES DE REFROIDISSEMENT

Voir Figure 11, page A-3.

### Contrôle et nettoyage

1. Desserrer le boulon hexagonal puis enlever le couvercle supérieur.
2. Déconnecter le capuchon de bougie (voir page 6).
3. Contrôler les ailettes de refroidissement du moteur [1], et nettoyer les débris si nécessaire.
4. Reconnecter le capuchon de bougie.
5. Poser le couvercle supérieur et serrer le boulon hexagonal fermement.



## FILTRE A CARBURANT ET RESERVOIR DE CARBURANT

### Contrôle du filtre à carburant et nettoyage du réservoir de carburant

Voir Figure 12, page A-3.

#### **⚠ ATTENTION**

L'essence est hautement inflammable et explosive.

La manipulation du carburant peut entraîner des brûlures ou des blessures graves.

- Avant de manipuler du carburant, arrêter le moteur et le laisser refroidir.
- Ne pas approcher de sources de chaleur, étincelles ou flammes.
- Ne manipuler le carburant qu'à l'extérieur.
- S'éloigner du véhicule.
- Essuyer immédiatement tout déversement.

1. Vérifier que le bouchon de remplissage d'huile moteur/jauge [1] est bien serré.
2. Enlever le bouchon de remplissage de carburant et vidanger le carburant dans un récipient à essence approuvé en inclinant le moteur vers la goulotte de remplissage de carburant [2].
3. Extraire le filtre à carburant [3] de la goulotte de remplissage du carburant en attrapant le tube de carburant noir avec un morceau de fil métallique en forme de crochet, comme un trombone partiellement déplié.
4. Contrôler le filtre à carburant. Si le filtre à carburant est sale, le laver avec soin avec un solvant non inflammable ou à point d'éclair élevé. Si le filtre à carburant est excessivement sale, le remplacer.
5. Enlever l'eau et la saleté du réservoir de carburant en rinçant l'intérieur du réservoir de carburant avec un solvant non inflammable ou à point d'éclair élevé.
6. Insérer le filtre à carburant dans le réservoir à carburant et serrer le bouchon de remplissage de carburant fermement.

### PARE-ETINCELLES (types applicables)

Le pare-étincelles peut être une pièce standard ou en option, selon le type de moteur. Dans certaines régions, il est illégal de faire fonctionner un moteur sans pare-étincelles. Vérifier les lois et réglementations locales. Le pare-étincelles est disponible chez tout concessionnaire réparateur Honda agréé.

Le pare-étincelles doit être entretenu toutes les 100 heures pour qu'il continue à fonctionner comme prévu.

Si le moteur a tourné, le silencieux va être chaud. Le laisser refroidir avant de réaliser l'entretien du pare-étincelles.

## GX25

Voir Figure 13, page A-3.

### Dépose du pare-étincelles

1. Desserrer le boulon hexagonal, puis enlever le couvercle supérieur (voir page 6).
2. Déposer les vis [1] du pare-étincelles [2], et déposer le pare-étincelles du silencieux [3].

### Nettoyage et contrôle du pare-étincelles

1. Utiliser une brosse pour enlever les dépôts de calamine de l'écran du pare-étincelles [4]. Faire attention à ne pas endommager l'écran.

Le pare-étincelles ne doit comporter aucune fissure ni aucun trou.

Remplacer le pare-étincelles s'il est endommagé.

2. Reposer le pare-étincelles dans l'ordre inverse de sa dépose.

Pendant sa repose, la sortie du pare-étincelles doit pointer vers le côté opposé à la bougie [5].

3. Poser le couvercle supérieur et serrer le boulon hexagonal fermement (voir page 6).

## GX35, GX50

Voir Figure 14, page A-3.

### Dépose du pare-étincelles

1. Desserrer le boulon hexagonal, puis enlever le couvercle supérieur (voir page 6).
2. Déposer les vis autotaraudeuses [1] du pare-étincelles [2], et déposer le pare-étincelles et le filtre d'échappement [3] du silencieux [4].

### Nettoyage et contrôle du filtre d'échappement

Pincer le filtre d'échappement et le tapoter légèrement avec le doigt pour enlever les dépôts de calamine. Attention de ne pas frapper trop fort. Le filtre d'échappement ne doit comporter aucune fissure ni aucun trou. S'il est endommagé ou trop sale, le faire entretenir par votre concessionnaire.

### Nettoyage et contrôle du pare-étincelles

1. Utiliser une brosse pour enlever les dépôts de calamine de l'écran du pare-étincelles [5]. Faire attention à ne pas endommager l'écran.

Le pare-étincelles ne doit comporter aucune fissure ni aucun trou.

Remplacer le pare-étincelles s'il est endommagé.

2. Reposer le filtre d'échappement et le pare-étincelles dans l'ordre inverse de la dépose.

Pendant sa repose, la sortie du pare-étincelles doit pointer vers le côté opposé à la bougie [6].

3. Poser le couvercle supérieur et serrer le boulon hexagonal fermement.

## DEPOSE/REPOSE DU TUBE A AIR CHAUD (types applicables)

### REMARQUE

- Utiliser le moteur normalement avec le tube à air chaud installé sous peine de provoquer l'apparition de glace.
- Quand la température ambiante est élevée (86 °F/30 °C ou plus), veiller à enlever le tube à air chaud en suivant la procédure suivante avant d'utiliser le moteur.  
*Si le moteur est utilisé avec le tube à air chaud installé, le moteur pourrait surchauffer.*
- Détacher le tube à air chaud du clip pour tube et le déconnecter de la conduite à air chaud avant d'enlever le couvercle supérieur pour l'entretien, etc. Après la repose du couvercle supérieur, veiller à bien reposer le tube à air chaud fermement dans sa position d'origine.

1. Déposer le couvercle du filtre à air (voir page 5).
2. Voir Figure 15, page A-4.  
Détacher le tube à air chaud [1] du clip [2] au niveau du couvercle du moteur et extraire le tube à air chaud de la conduite d'air chaud [3] sur le couvercle du moteur.
3. Voir Figure 16, page A-4.  
Déposer la jonction d'air chaud [1] du boîtier du filtre à air.  
  
GX25 : Appuyer sur l'ergot et l'enfoncer profondément pour enlever la jonction d'air chaud [1] du boîtier du filtre à air.  
  
GX35 : Déposer la jonction d'air chaud du boîtier du filtre à air en tirant vers soi.
4. Déposer le tube à air chaud avec la jonction installée dessus.  
Ranger avec soin les pièces déposées dans un endroit approprié.  
Attention de ne pas les perdre.
5. Voir Figure 17, page A-4.  
Reposer le tube à air chaud et la jonction à air chaud [1] dans l'ordre inverse de leur dépose.  
(GX25 uniquement) Reposer la jonction à air chaud sur le boîtier du filtre à air dans la position illustrée.

## CONSEILS ET SUGGESTIONS UTILES

### REMISAGE DU MOTEUR

#### Préparation au remisage

Une préparation au remisage appropriée est essentielle pour maintenir le moteur en bon état de fonctionnement et lui conserver son bel aspect. Les opérations suivantes contribueront à empêcher que la rouille et la corrosion n'affectent le fonctionnement et l'aspect du moteur et à faciliter le démarrage du moteur lors de sa remise en service.

#### Nettoyage

Si le moteur vient de tourner, le laisser se refroidir pendant au moins une demi-heure avant le nettoyage. Nettoyer toutes les surfaces extérieures, faire les retouches de peinture nécessaires et enduire toutes les parties susceptibles de rouiller d'une légère couche d'huile.

### REMARQUE

*L'utilisation d'un tuyau d'arrosage ou d'un dispositif de lavage sous pression peut faire pénétrer de l'eau dans le filtre à air ou dans l'ouverture du silencieux. L'eau dans le filtre à air imbibe alors l'élément filtrant, et l'eau qui traverse l'élément filtrant ou le silencieux peut pénétrer dans le cylindre et causer des dommages.*

## Carburant

### REMARQUE

*Suivant la région où l'équipement est utilisé, les formulations de carburant peuvent se détériorer et s'oxyder rapidement. La détérioration et l'oxydation du carburant peuvent se produire dans un espace de temps aussi bref que 30 jours et peuvent endommager le carburateur et/ou le système d'alimentation en carburant. Vérifier les recommandations de remisage données par le concessionnaire réparateur.*

L'essence s'oxyde et se détériore pendant son stockage. L'essence détériorée provoque des démarrages difficiles et laisse des dépôts visqueux qui bouchent le système d'alimentation en carburant. Si l'essence dans le moteur se détériore pendant le remisage, il est possible qu'il faille faire réparer ou remplacer le carburateur et d'autres composants du système d'alimentation en carburant. La durée pendant laquelle l'essence peut rester dans le réservoir de carburant et dans le carburateur sans provoquer de problèmes fonctionnels varie en fonction de facteurs tels que le mélange de l'essence, les températures de stockage, et le volume de remplissage du réservoir de carburant (partiellement ou complètement rempli). La présence d'air dans un réservoir de carburant partiellement rempli favorise la détérioration du carburant. Des températures de stockage très chaudes accélèrent la détérioration du carburant. Les problèmes de détérioration du carburant peuvent survenir en quelques mois, voire moins si l'essence n'était pas fraîche quand le réservoir a été rempli.

Les dommages du système d'alimentation en carburant ou les problèmes de performance issus de négligences lors de la préparation au remisage ne sont pas couverts par la garantie limitée du distributeur.

La durée de remisage du carburant peut être prolongée en ajoutant un agent stabilisant de l'essence formulé à cet effet, ou les problèmes de détérioration du carburant peuvent être évités en vidangeant le réservoir de carburant et le carburateur.

### Ajout d'un agent stabilisant de l'essence pour prolonger la durée de remisage du carburant

Quand un agent stabilisant du carburant est ajouté, remplir le réservoir de carburant avec de l'essence fraîche. S'il n'est rempli que partiellement, l'air présent dans le réservoir aidera à la détérioration du carburant pendant le stockage. Si un bidon d'essence est conservé pour le remplissage, veiller à ce qu'il ne contienne que de l'essence fraîche.

1. Ajouter l'agent stabilisant de l'essence en suivant les instructions du fabricant.
2. Après avoir ajouté un agent stabilisant de l'essence, faire tourner le moteur à l'extérieur pendant 10 minutes pour être sûr que l'essence traitée a remplacé l'essence non traitée dans le carburateur.
3. Arrêter le moteur.

## Vidange du réservoir de carburant et du carburateur

Voir Figure 18, page A-4.

### ATTENTION

L'essence est hautement inflammable et explosive.

La manipulation du carburant peut entraîner des brûlures ou des blessures graves.

- Avant de manipuler du carburant, arrêter le moteur et le laisser refroidir.
- Ne pas approcher de sources de chaleur, étincelles ou flammes.
- Ne manipuler le carburant qu'à l'extérieur.
- S'éloigner du véhicule.
- Essuyer immédiatement tout déversement.

1. Veiller à ce que le bouchon de remplissage d'huile moteur/ jauge [1] soit bien serré.
2. Enlever le bouchon de remplissage de carburant et vidanger le carburant dans un récipient à essence approuvé en inclinant le moteur vers la goulotte de remplissage de carburant [2].
3. Appuyer sur la pompe d'amorçage [3] plusieurs fois jusqu'à ce que l'ensemble du carburant soit retourné dans le réservoir de carburant.
4. Incliner le moteur vers la goulotte de remplissage du carburant de nouveau pour vidanger le carburant.
5. Une fois que l'ensemble du carburant a été vidangé, resserrer le bouchon de remplissage du carburant fermement.

### Huile moteur

Voir Figure 5, page A-2.

Voir Figure 10, page A-3.

1. Changer l'huile moteur (voir page 5).
2. Desserrer le boulon hexagonal, puis enlever le couvercle supérieur.
3. Déposer la bougie (voir page 6).
4. Appliquer quelques gouttes d'huile moteur propre dans le cylindre.
5. Reposer le couvercle supérieur provisoirement.
6. Tirer la poignée de lancement à plusieurs reprises pour distribuer l'huile dans le cylindre.
7. Déposer le couvercle supérieur et reposer la bougie.
8. Poser le couvercle supérieur et serrer le boulon hexagonal fermement.
9. Tirer doucement la poignée de lancement jusqu'à ce que l'on ressente une résistance.

## Précautions de remisage

Si le moteur va être remisé avec de l'essence dans le réservoir à carburant et dans le carburateur, il est important de réduire le risque d'allumage des vapeurs d'essence. Choisir une zone de remisage bien aérée loin de tout appareil à flamme tel que fourneau, chauffe-eau ou séchoir à linge. Éviter également un endroit où un moteur électrique produisant des étincelles ou des outils électriques sont utilisés.

Éviter dans la mesure du possible des zones de remisage très humides car ceci favorise la rouille et la corrosion.

Garder le moteur à l'horizontale lors du remisage. Une inclinaison peut provoquer des fuites de carburant ou d'huile. Alors que le moteur et le système d'échappement sont froids, couvrir le moteur pour le protéger contre la poussière. Un moteur ou un système d'échappement chauds peuvent enflammer ou faire fondre certaines matières. Ne pas utiliser une bâche en plastique pour la protection contre la poussière. Une bâche non poreuse emprisonne l'humidité autour du moteur et favorise la rouille et la corrosion.

## Fin du remisage

Vérifier le moteur comme il est indiqué à la section **CONTROLES AVANT L'UTILISATION** de ce manuel (voir page 2).

Si le carburant a été vidangé pendant la préparation au remisage, remplir le réservoir d'essence fraîche. Si un bidon d'essence est conservé pour le remplissage, veiller à ce qu'il ne contienne que de l'essence fraîche. L'essence s'oxyde et se détériore avec le temps, ce qui provoque des difficultés au démarrage.

Si le cylindre a été enduit d'huile lors de la préparation au remisage, le moteur fume brièvement au démarrage. Ceci est normal.

## TRANSPORT

Si le moteur vient de tourner, le laisser refroidir pendant au moins 15 minutes avant de charger l'équipement commandé par lui sur le véhicule de transport. Un moteur ou un système d'échappement chauds peuvent provoquer des brûlures et enflammer certaines matières.

## EN CAS DE PROBLEME INATTENDU

### LE MOTEUR NE DEMARRE PAS

Cause possible	Remède
Etrangleur ouvert.	Déplacer le levier en position FERMÉE sauf si le moteur est chaud.
Contacteur moteur sur ARRET. (sur l'équipement)	Placer le contacteur moteur sur la position MARCHE.
Absence de carburant.	Faire le plein de carburant (p. 4).
Mauvais carburant ; moteur remisé sans traiter l'essence ou sans la vidanger, ou remplissage avec de l'essence de mauvaise qualité.	Vidanger le réservoir de carburant et le carburateur (p. 9). Refaire le plein avec de l'essence fraîche (p. 4).
Bougie défectueuse, encrassée ou mauvais écartement des électrodes.	Régler l'écartement ou remplacer la bougie (p. 6).
Bougie trempée de carburant (moteur noyé).	Laisser la bougie sécher. Une fois sèche, poser la bougie et démarrer le moteur (p. 2).
Filtre à carburant bouché, défaillance du carburateur, défaillance de l'allumage, soupapes coincées, etc.	Apporter le moteur au concessionnaire réparateur ou se reporter au manuel d'atelier.

### LE MOTEUR MANQUE DE PUISSANCE

Cause possible	Remède
Élément de filtre bouché.	Nettoyer ou remplacer l'élément de filtre (p. 5).
Mauvais carburant ; moteur remisé sans traiter l'essence ou sans la vidanger, ou remplissage avec de l'essence de mauvaise qualité.	Vidanger le réservoir de carburant et le carburateur (p. 9). Refaire le plein avec de l'essence fraîche (p. 4).
Filtre à carburant bouché, défaillance du carburateur, défaillance de l'allumage, soupapes coincées, etc.	Apporter le moteur au concessionnaire réparateur ou se reporter au manuel d'atelier.

# INFORMATIONS TECHNIQUES ET DU CONSOMMATEUR

## INFORMATIONS TECHNIQUES

### Emplacement du numéro de série

Voir Figure 19, page A-4.

Noter le numéro de série du moteur [1], son type [2] et sa date d'achat dans les espaces ci-dessous. Ces informations seront nécessaires pour la commande de pièces et les demandes de renseignements techniques ou de garantie.

Numéro de série du moteur: \_\_\_\_\_

Type de moteur: \_\_\_\_\_

Date d'achat: \_\_\_\_ / \_\_\_\_ / \_\_\_\_

### Tringlerie de commande à distance

Voir Figure 20, page A-4.

Le levier de commande des gaz comporte une attache pour la fixation du câble [1].

Déposer le couvercle du filtre à air (voir page 5) pour accéder au levier des gaz et à l'attache du câble.

Fixer le câble des gaz comme illustré.

Pour régler le câble des gaz, suivre les instructions du fabricant de l'équipement.

### Modifications à apporter au carburateur pour un fonctionnement à haute altitude

A haute altitude, le mélange air/carburant standard du carburateur est trop riche. Les performances diminuent et la consommation en carburant augmente. Un mélange très riche salit aussi la bougie et provoque des démarrages difficiles. Un fonctionnement à une altitude différente de celle à laquelle ce moteur a été certifié pendant une durée prolongée peut augmenter les émissions.

Les performances à haute altitude peuvent être améliorées grâce à des modifications spécifiques apportées au carburateur. Si le moteur est toujours utilisé à une altitude supérieure à 1 500 mètres, demander au concessionnaire réparateur de réaliser cette modification du carburateur. Ce moteur, quand il est utilisé à haute altitude avec les modifications du carburateur pour une utilisation en haute altitude, sera conforme aux normes sur les émissions tout au long de sa durée de vie utile.

Même avec la modification du carburateur, la puissance du moteur diminue d'environ 3,5 % tous les 300 mètres d'altitude supplémentaire. L'effet de l'altitude sur la puissance du moteur serait plus important si aucune modification n'était apportée au carburateur.

#### REMARQUE

*Quand le carburateur a été modifié pour un fonctionnement à haute altitude, le mélange air/carburant est trop pauvre pour être utilisé à basse altitude. Un fonctionnement à une altitude inférieure à 1 500 mètres avec un carburateur modifié peut provoquer la surchauffe du moteur et provoquer de graves dommages du moteur. Pour une utilisation à basse altitude, demander au concessionnaire réparateur de rétablir les réglages d'usine d'origine du carburateur.*

## Informations sur le système antipollution

### Garantie du système antipollution

Votre nouveau Honda est conforme aux réglementations de l'EPA des Etats-Unis et à celles sur les émissions de l'Etat de Californie. American Honda offre la même couverture de garantie antipollution pour les moteurs de Honda Power Equipment vendus dans l'ensemble des 50 États. Dans toutes les régions des Etats-Unis, votre moteur Honda Power Equipment est conçu, construit et équipé conformément aux normes EPA des Etats-Unis et des normes du California Air Resources Board sur les émissions pour les moteurs à allumage par étincelle.

### Couverture de la garantie

Les moteurs Honda Power Equipment certifiés CARB et EPA sont couverts par cette garantie comme étant libres de tout défaut de matériau et de fabrication susceptible d'entraver leur conformité aux exigences des normes EPA et CARB applicables sur les émissions pendant un minimum de 2 ans ou la durée de la *garantie limitée du distributeur de Honda Power Equipment*, la plus longue étant celle qui prévaut, à partir de la date d'origine de livraison à l'acheteur de détail. Cette garantie est transférable à chaque tiers acquéreur pendant la durée de la période de garantie. Les réparations de garantie seront effectuées gratuitement pour le diagnostic, les pièces et la main d'œuvre. Pour plus d'informations sur la manière d'effectuer une réclamation de garantie ainsi qu'une description de la manière dont une réclamation peut être effectuée et/ou comment un service peut être fourni, contacter un concessionnaire agréé Honda Power Equipment ou contacter American Honda aux coordonnées suivantes :

E-mail : [powerequipmentemissions@ahm.honda.com](mailto:powerequipmentemissions@ahm.honda.com)

Téléphone : (888) 888-3139

Les composants couverts incluent tous les composants du moteur dont la panne augmenterait ses émissions de vapeurs de carburant ou de tout polluant réglementé. Une liste des composants spécifiques est incluse dans la déclaration de garantie antipollution fournie séparément.

Les termes spécifiques de la garantie, sa couverture, ses limitations et la manière de demander un service de garantie sont également décrits dans la déclaration de garantie antipollution fournie séparément. La déclaration de garantie antipollution est également mise à disposition sur le site Web de Honda Power Equipment ou sous le lien suivant : <http://powerequipment.honda.com/support/warranty>

### Source des émissions

Le processus de combustion produit du monoxyde de carbone, des oxydes d'azote et des hydrocarbures. Il est très important de contrôler les hydrocarbures et les oxydes d'azote car, dans certaines conditions, ces substances réagissent à la lumière du soleil pour former un brouillard photochimique. Le monoxyde de carbone ne réagit pas de la même manière, mais il est toxique.

Honda utilise les rapports air/carburant appropriés et d'autres systèmes de contrôle des émissions pour réduire les émissions de monoxyde de carbone, d'oxydes d'azote et d'hydrocarbures. De plus, les systèmes d'alimentation en carburant Honda utilisent des composants et des technologies de contrôle visant à réduire les émissions évaporatives.

### Lois « Clean Air » des Etats-Unis et de la Californie, et Environnement et Changement climatique Canada (ECCC)

Les réglementations de l'EPA américaine, de la Californie et du Canada exigent que tous les fabricants fournissent des instructions écrites décrivant le fonctionnement et l'entretien des systèmes antipollution.

Les instructions et les procédures suivantes doivent être suivies pour que les émissions du moteur Honda restent conformes aux normes d'émission.



## Altérations et modifications

### REMARQUE

*L'altération est une violation de la loi fédérale et californienne.*

L'altération ou la modification du système antipollution peut augmenter les émissions au-delà de la limite légale. Les actions constituant un acte d'altération sont les suivantes :

- Dépose ou altération de n'importe quelle partie des systèmes d'admission, d'alimentation en carburant ou d'échappement.
- L'altération ou la désactivation de la tringlerie du régulateur ou du mécanisme de réglage du régime pour provoquer un fonctionnement en dehors des paramètres de conception du moteur.

### Problèmes pouvant affecter les émissions

Si les symptômes suivants apparaissent, faire contrôler et réparer le moteur par le concessionnaire réparateur.

- Le moteur démarre difficilement ou cale après le démarrage.
- Ralenti irrégulier.
- Ratés ou retour de flamme sous charge.
- Postcombustion (retour de flamme).
- Fumée d'échappement noire ou consommation élevée en carburant.

### Pièces de remplacement

Les systèmes antipollution de ce nouveau moteur Honda ont été conçus, fabriqués et homologués conformément à la réglementation sur la pollution de l'EPA (agence de protection de l'environnement), de Californie et du Canada. Nous recommandons d'utiliser des pièces Honda authentiques lors de tout entretien.

Ces pièces de rechange ont la conception d'origine et sont fabriquées en appliquant les mêmes normes que les pièces initiales, ce qui garantit la fiabilité de leurs performances. Honda ne peut refuser la couverture par la garantie des dispositifs antipollution au seul motif que des pièces de rechange d'une autre marque que Honda ont été utilisées ou que l'entretien n'a pas été effectué par un concessionnaire Honda agréé ; vous êtes autorisé à utiliser des pièces certifiées par l'EPA comparables et à faire réaliser l'entretien par des réparateurs autres que les concessionnaires Honda. Cependant, l'utilisation de pièces de rechange n'ayant pas la conception et la qualité d'origine peut nuire à l'efficacité du système antipollution.

Le fabricant d'une pièce du marché des pièces de rechange engage sa responsabilité quant au fait que cette pièce n'aura pas d'effet néfaste sur les performances antipollution. Le fabricant ou le constructeur de la pièce doit certifier que l'utilisation de cette pièce n'empêchera pas le moteur de se conformer à la réglementation sur la pollution.

### Entretien

En tant que propriétaire du moteur, vous êtes responsable de la réalisation des tâches de maintenance décrites dans votre manuel de l'utilisateur. Honda vous recommande de conserver tous les reçus de paiement des tâches de maintenance réalisées sur votre moteur, mais Honda ne peut pas refuser la couverture de garantie uniquement pour manque de reçus ou pour votre manquement à la réalisation de toutes les tâches de maintenance prévues.

Observer le PROGRAMME D'ENTRETIEN de la page 4.

Ne pas oublier que ce programme présuppose que le moteur sera utilisé pour l'application pour laquelle il est prévu. Une utilisation prolongée sous une charge élevée ou par haute température, ou dans des conditions poussiéreuses demande un entretien plus fréquent.

## Indice de qualité de l'air

### (Modèles certifiés pour la vente en Californie)

Une étiquette d'information sur l'indice de qualité de l'air est apposée sur les moteurs certifiés en fonction d'une période de durabilité des émissions conformément aux exigences du Conseil des ressources en air de la Californie (California Air Resources Board).

Le graphique à barres est prévu pour vous fournir à vous, notre client, la possibilité de comparer les performances antipollution des moteurs disponibles. Plus l'indice de qualité de l'air est bas, plus la pollution est faible.

La description de durabilité est prévue pour vous offrir des informations concernant la période de durabilité des émissions du moteur.

Le terme descriptif indique la durée de vie utile du système antipollution du moteur. Consulter la *Garantie du système antipollution* pour de plus amples informations.

Terme descriptif	Applicable à la période de durabilité des émissions
Modéré	50 heures (0–80 cm <sup>3</sup> , inclus) 125 heures (supérieur à 80 cm <sup>3</sup> )
Intermédiaire	125 heures (0–80 cm <sup>3</sup> , inclus) 250 heures (supérieur à 80 cm <sup>3</sup> )
Etendu	300 heures (0–80 cm <sup>3</sup> , inclus) 500 heures (supérieur à 80 cm <sup>3</sup> ) 1 000 heures (225 cm <sup>3</sup> et plus)

L'étiquette à fil/étiquette d'information sur l'indice de qualité de l'air doit rester sur le moteur jusqu'à sa vente. Enlever l'étiquette à fil avant de faire fonctionner le moteur.



## Spécifications

### GX25 (types de base)

Code descriptif	GX25T	GX25NT
	GCALT	GCART
Longueur x largeur x hauteur	198 x 221 x 230 mm	
Masse à sec [poids]	2,90 kg	
Type de moteur	4 temps, arbre à cames en tête, monocylindre	
Cylindrée [alésage x course]	25,0 cm <sup>3</sup> [35,0 x 26,0 mm]	
Puissance nette (conformément à la norme SAE J1349*)	0,72 kW (1,0 PS) à 7 000 min <sup>-1</sup> (tr/min)	
Couple net maxi. (conformément à la norme SAE J1349*)	1,0 N·m (0,10 kgf·m) à 5 000 min <sup>-1</sup> (tr/min)	
Contenance en huile moteur	0,08 L	
Capacité du réservoir de carburant	0,53 L	
Refroidissement	Forcé par circulation d'air	
Allumage	Magnéto à transistors	
Rotation de l'arbre de prise de force	Sens contraire des aiguilles d'une montre	

### GX35 (types de base)

Code descriptif	GX35T	GX35NT
	GCAMT	GCAST
Longueur x largeur x hauteur	205 x 234 x 240 mm	
Masse à sec [poids]	3,46 kg	
Type de moteur	4 temps, arbre à cames en tête, monocylindre	
Cylindrée [alésage x course]	35,8 cm <sup>3</sup> [39,0 x 30,0 mm]	
Puissance nette (conformément à la norme SAE J1349*)	1,0 kW (1,4 PS) à 7 000 min <sup>-1</sup> (tr/min)	
Couple net maxi. (conformément à la norme SAE J1349*)	1,6 N·m (0,16 kgf·m) à 5 500 min <sup>-1</sup> (tr/min)	
Contenance en huile moteur	0,10 L	
Capacité du réservoir de carburant	0,63 L	
Refroidissement	Forcé par circulation d'air	
Allumage	Magnéto à transistors	
Rotation de l'arbre de prise de force	Sens contraire des aiguilles d'une montre	

### GX50 (types de base)

Code descriptif	GX50T	GX50NT
	GCCFT	GCCGT
Longueur x largeur x hauteur	199 x 260 x 263 mm	
Masse à sec [poids]	4,13 kg	4,15 kg
Type de moteur	4 temps, arbre à cames en tête, monocylindre	
Cylindrée [alésage x course]	47,9 cm <sup>3</sup> [43,0 x 33,0 mm]	
Puissance nette (conformément à la norme SAE J1349*)	1,47 kW (2,0 PS) à 7 000 min <sup>-1</sup> (tr/min)	
Couple net maxi. (conformément à la norme SAE J1349*)	2,1 N·m (0,21 kgf·m) à 5 000 min <sup>-1</sup> (tr/min)	
Contenance en huile moteur	0,13 L	
Capacité du réservoir de carburant	0,63 L	
Refroidissement	Forcé par circulation d'air	
Allumage	Magnéto à transistors	
Rotation de l'arbre de prise de force	Sens contraire des aiguilles d'une montre	

\* La puissance nominale du moteur indiquée dans ce document est la puissance de sortie nette testée sur un moteur de série de ce modèle et mesurée conformément à SAE J1349 à 7 000 min<sup>-1</sup>(tr/min) (puissance nette) et à GX25/GX50 : 5 000 min<sup>-1</sup>(tr/min), GX35 : 5 500 min<sup>-1</sup>(tr/min) (Couple net max.). La puissance des moteurs de grande série peut varier par rapport à la valeur indiquée. La puissance réelle du moteur équipant la machine au final varie en fonction de nombreux facteurs, notamment le régime de service du moteur en utilisation, les facteurs environnementaux, l'entretien, et d'autres variables.

### Caractéristiques de mise au point

POSTE	SPECIFICATION	ENTRETIEN
Ecartement des électrodes	0,6-0,7 mm	Se reporter à la page 6
Régime de ralenti	3 100±200 min <sup>-1</sup> (tr/min)	Consulter votre concessionnaire Honda agréé.
Jeu aux soupapes (à froid)	ADM : 0,08±0,02 mm ECH : 0,11±0,02 mm	
Autres caractéristiques	Aucun autre réglage n'est nécessaire.	

### Informations de référence rapide

Carburant	Essence sans plomb (se reporter à la page 4)	
	Etats-Unis	Indice d'octane à la pompe de 86 ou plus
	Sauf les Etats-Unis	Indice d'octane recherche de 91 ou plus Indice d'octane à la pompe de 86 ou plus
Huile moteur	SAE 10W-30, API SJ ou ultérieure, pour usage général. Se reporter à la page 5.	
Bougie	CM5H (NGK) CMR5H (NGK)	
Entretien	Avant chaque utilisation :	
	<ul style="list-style-type: none"> <li>Vérifier le niveau d'huile moteur. Se reporter à la page 5.</li> <li>Vérifier le filtre à air. Se reporter à la page 5.</li> </ul>	
	10 premières heures : Changer l'huile moteur. Se reporter à la page 5.	
	Par la suite : Se reporter au programme d'entretien, page 4.	

### Schémas de câblage

Voir Figure 21, page A-4.

Type de contacteur moteur : Voir Figure 22, page A-4.

## INFORMATIONS DU CONSOMMATEUR

### Garantie et informations de localisation de distributeur/ concessionnaire

**Etats-Unis, Porto Rico et Iles vierges des Etats-Unis :**  
Rendez-vous sur notre site Web : [www.honda-engines.com](http://www.honda-engines.com)

**Canada :**  
Appelez le (888) 9HONDA9 ou rendez-vous sur notre site Web :  
[www.honda.ca](http://www.honda.ca)

**Pour la zone européenne :**  
Rendez-vous sur notre site Web : <http://www.honda-engines-eu.com>

### Informations de service à la clientèle

Le personnel des concessionnaires compte des professionnels qualifiés. Il devrait pouvoir répondre à toutes vos questions. Si le technicien ne résout pas votre problème de manière satisfaisante, adressez-vous à la direction de la concession. Le responsable du service après-vente, le directeur général ou le propriétaire pourra vous aider. Presque tous les problèmes se résolvent de cette manière.

**Etats-Unis, Porto Rico et Iles vierges des Etats-Unis :**  
Si vous n'êtes pas satisfait de la décision prise par la direction de la concession, adressez-vous à votre distributeur de moteur Honda régional.

Si vous n'êtes toujours pas satisfait après avoir parlé au distributeur de moteurs régional, contactez le bureau Honda comme suit.

**Toutes les autres régions :**  
Si vous n'êtes pas satisfait de la décision prise par la direction de la concession, adressez-vous au bureau Honda indiqué.

### «Bureau Honda»

Lorsque vous écrivez ou appelez, veuillez fournir les informations suivantes:

- Nom du fabricant et numéro de modèle de l'équipement sur lequel est monté le moteur
- Modèle, numéro de série et type du moteur (voir page 10)
- Nom du concessionnaire vous ayant vendu le moteur
- Nom, adresse et personne à contacter du concessionnaire assurant le service après-vente de votre moteur
- Date d'achat
- Vos nom, adresse et numéro de téléphone
- Description détaillée du problème

**Etats-Unis, Porto Rico et Iles vierges des Etats-Unis :**  
**American Honda Motor Co., Inc.**  
Division Power Equipment  
Customer Relations Office  
4900 Marconi Drive  
Alpharetta, GA 30005-8847

Ou téléphoner au : (770) 497-6400, 8:30 - 19:00 ET

**Canada :**  
**Honda Canada, Inc.**  
Visitez notre site Web [www.honda.ca](http://www.honda.ca)  
pour des informations relatives aux adresses

Téléphone : (888) 9HONDA9    Gratuit  
(888) 946-6329

Télécopie : (877) 939-0909    Gratuit

**Pour la zone européenne :**  
**Honda Motor Europe Logistics NV.**  
European Engine Center

<http://www.honda-engines-eu.com>

**Toutes les autres régions :**  
S'adresser au distributeur Honda local pour toute assistance.

## Garantie internationale des moteurs à usage général Honda

Le moteur à usage général Honda installé sur ce matériel de marque est couvert par une garantie Honda dans les conditions suivantes :

- Les conditions de garantie sont conformes à celles pour le moteur à usage général établies par Honda pour chaque pays.
- Les conditions de garantie s'appliquent aux pannes de moteur causées par un problème de fabrication ou de spécification.
- La garantie ne s'applique pas aux pays où il n'existe pas de distributeur Honda.

### Pour bénéficier de la garantie :

Vous devez confier votre moteur à usage général Honda, ou l'équipement sur lequel il est monté, accompagné de la preuve de la date d'achat du produit à un revendeur de moteurs Honda autorisé à vendre ce produit dans votre pays ou au revendeur qui vous a vendu ce produit. Pour localiser un revendeur/distributeur Honda près de chez vous ou pour vérifier les conditions de garantie dans votre pays, consultez notre site Web mondial d'informations relatives au service <https://www.hppsv.com/ENG/> ou contactez un distributeur dans votre pays.

### Exclusions :

Cette garantie moteur n'inclut pas :

1. Tout dommage ou toute détérioration résultant de ce qui suit :
  - Non-réalisation de l'entretien périodique tel que spécifié dans le manuel d'utilisation du moteur
  - Réparation ou entretien incorrect(e)
  - Méthodes d'utilisation différentes de celles indiquées dans le manuel d'utilisation du moteur
  - Dommage entraîné par le produit sur lequel le moteur est monté
  - Dommage entraîné par la transformation en un carburant, ou l'utilisation d'un carburant, autre que le(s) carburant(s) pour lequel/lesquels le moteur est conçu, tel que défini dans le manuel d'utilisation du moteur et/ou le livret de garantie
  - Utilisation de pièces et d'accessoires non d'origine Honda, autres que ceux approuvés par Honda (autres que les lubrifiants et liquides recommandés) (ne s'applique pas à la garantie sur les émissions sauf si une pièce non d'origine utilisée n'est pas comparable à la pièce Honda et a entraîné la panne)
  - Exposition du produit à la suie et aux fumées, aux agents chimiques, aux déjections d'oiseaux, à l'eau de mer, à la brise marine, au sel ou à tout autre phénomène environnemental
  - Collision, contamination ou détérioration du carburant, négligence, modification non autorisée ou utilisation incorrecte
  - Usure naturelle (décoloration naturelle des surfaces peintes ou plaquées, détachement de tôle et autre détérioration naturelle)
2. Les consommables : Honda ne garantit pas la détérioration des pièces due à une usure normale. Les pièces répertoriées ci-dessous ne sont pas couvertes par la garantie (sauf si elles font partie d'une autre réparation sous garantie) :
  - Bougie, filtre à carburant, élément de filtre à air, disque d'embrayage, câble de démarreur manuel
  - Lubrifiant : huile et graisse
3. Les opérations de nettoyage, réglage et entretien périodique normal (nettoyage du carburateur et vidange de l'huile du moteur).
4. L'utilisation du moteur à usage général Honda pour la course ou la compétition.
5. Tout moteur monté sur un produit qui a fait l'objet d'une déclaration de perte totale ou de vente à sa valeur de récupération par un organisme financier ou un assureur.

## A propos de l'étiquette ENTRETIEN & ASSISTANCE

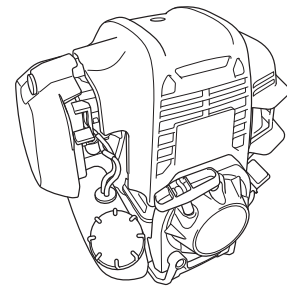
Il est possible qu'une étiquette ENTRETIEN & ASSISTANCE\* soit apposée sur le moteur Honda d'utilisation générale. Si vous visitez notre site Web en scannant ce code-barres 2D (code QR), vous trouverez des informations relatives à l'entretien.  
\* Cette étiquette n'est pas apposée sur tous les modèles.



[https://www.hondappsv.com/ENG/QR/GX25\\_35\\_50/](https://www.hondappsv.com/ENG/QR/GX25_35_50/)

## MANUAL DEL PROPIETARIO

### GX25 • GX35 • GX50



Las ilustraciones de este manual se basan en el modelo GX50.  
• Las ilustraciones pueden variar según el tipo.

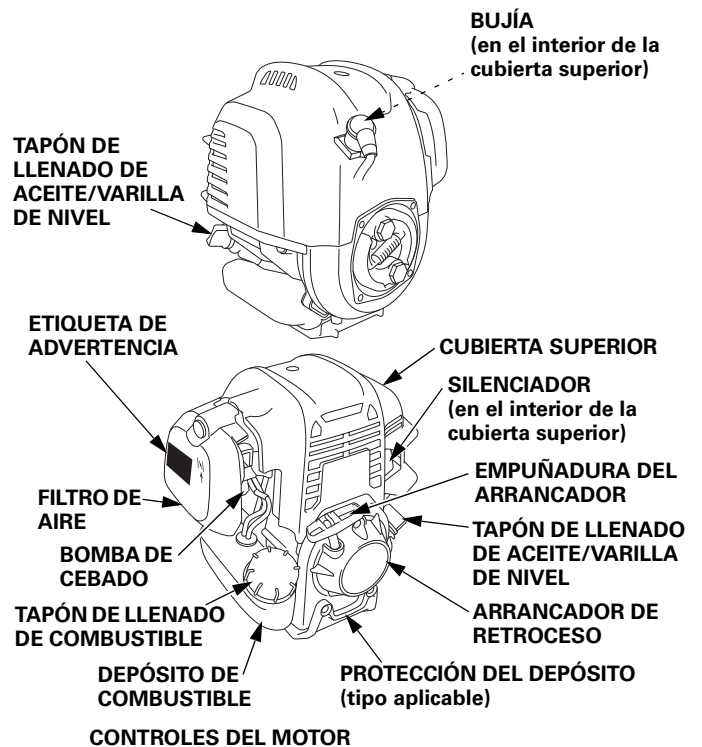
#### ⚠ ADVERTENCIA

Los gases de escape de este producto contienen agentes químicos que, según el Estado de California, causan cáncer, defectos de nacimiento u otros efectos perjudiciales reproductivos.

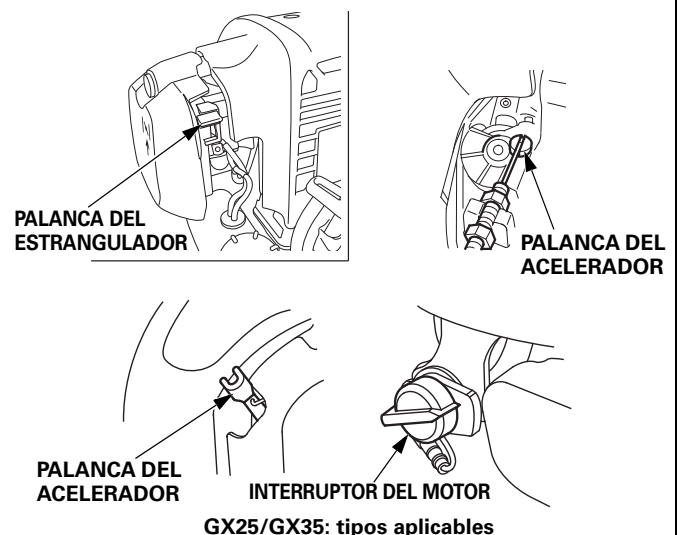
### SITUACIÓN DE LA ETIQUETA DE SEGURIDAD / SITUACIÓN DE LOS COMPONENTES Y CONTROLES

Esta etiqueta le avisa sobre peligros potenciales que pueden ocasionar heridas graves. Léala con atención. Si la etiqueta se despegó o si resulta difícil de leer, pida una nueva en su concesionario de servicio.

ETIQUETA DE ADVERTENCIA	Para la UE	Excepto en la UE
	colocada en el producto	suministrada con el producto
	suministrada con el producto	colocada en el producto
	suministrada con el producto	suministrada con el producto



- La gasolina es muy inflamable y explosiva. Pare el motor y espere a que se enfríe antes de repostar.
- El motor emite monóxido de carbono, que es un gas tóxico y venenoso. No lo ponga en marcha en un lugar cerrado.
- Lea el Manual del propietario antes de la operación.



## INTRODUCCIÓN

Muchas gracias por la adquisición de un motor Honda. Nos gustaría ayudarle a obtener los mejores resultados con su nuevo motor y a que pueda operarlo con seguridad. Este manual contiene información para ello; léalo detenidamente antes de poner en funcionamiento el motor. En el caso de producirse algún problema, o si tuviese alguna pregunta acerca de su motor, póngase en contacto con un concesionario de servicio.

Toda la información de esta publicación se basa en la información más reciente disponible en el momento de la impresión. Honda Motor Co., Ltd. se reserva el derecho a efectuar cambios en cualquier momento sin previo aviso y sin incurrir en ningún tipo de obligación. Ninguna parte de este manual puede reproducirse sin permiso por escrito.

Este manual debe considerarse como una parte permanente del motor y debe permanecer con el motor en caso de reventa.

Revise las instrucciones suministradas con el equipo que funcionará con este motor para encontrar información adicional sobre la puesta en marcha del motor, parada, operación, ajustes, o instrucciones especiales para el mantenimiento.

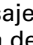
Estados Unidos, Puerto Rico, e Islas Vírgenes Estadounidenses: Le aconsejamos que lea el contrato de garantía para que conozca la cobertura de esta y las responsabilidades ligadas a la propiedad. La póliza de garantía es un documento independiente que le habrá entregado su concesionario.

## CONTENIDO

SITUACIÓN DE LA ETIQUETA DE SEGURIDAD / SITUACIÓN DE LOS COMPONENTES Y CONTROLES.....	A-1	FILTRO DE COMBUSTIBLE Y DEPÓSITO DE COMBUSTIBLE .....	7
INTRODUCCIÓN.....	1	PARACHISPAS.....	7
MENSAJES DE SEGURIDAD ...	1	EXTRACCIÓN/INSTALACIÓN DEL TUBO DE AIRE CALIENTE .....	8
INFORMACIÓN DE SEGURIDAD ...	1	SUGERENCIAS Y OBSERVACIONES DE UTILIDAD.....	8
CARACTERÍSTICAS .....	1	ALMACENAJE DEL MOTOR... 8	
COMPROBACIONES PREVIAS A LA OPERACIÓN ...	2	TRANSPORTE.....	9
FUNCIONAMIENTO .....	2	CUIDADOS PARA PROBLEMAS INESPERADOS .....	9
PRECAUCIONES PARA UNA OPERACIÓN SEGURA.....	2	INFORMACIÓN TÉCNICA Y DEL CONSUMIDOR .....	10
ARRANQUE DEL MOTOR ...	2	Situación del número de serie.....	10
AJUSTE DE LA VELOCIDAD DEL MOTOR.....	3	Enlace de control remoto ...	10
PARADA DEL MOTOR.....	3	Modificaciones en el carburador para funcionar a gran altitud .....	10
SERVICIO DE SU MOTOR .....	3	Información del sistema de control de las emisiones de escape .....	10
LA IMPORTANCIA DEL MANTENIMIENTO .....	3	Índice de aire .....	11
SEGURIDAD DEL MANTENIMIENTO .....	3	Especificaciones .....	12
PRECAUCIONES DE SEGURIDAD.....	3	Especificaciones de reglaje... 12	
PROGRAMA DE MANTENIMIENTO .....	4	Información de referencia rápida .....	12
REPOSTAJE .....	4	Diagramas de conexiones... 12	
ACEITE DE MOTOR .....	5	INFORMACIÓN DEL CONSUMIDOR .....	13
Aceite recomendado.....	5	Garantía e información para encontrar distribuidores/ concesionarios .....	13
Comprobación del nivel de aceite.....	5	Información de servicio para clientes .....	13
Cambio del aceite .....	5		
FILTRO DE AIRE.....	5		
Inspección.....	5		
Limpieza.....	5		
BUJÍA .....	6		
ALETAS DE REFRIGERACIÓN .....	6		

## MENSAJES DE SEGURIDAD

Su seguridad y la de los demás son muy importantes. Hemos incluido mensajes de seguridad importantes en este manual y en el motor. Lea detenidamente estos mensajes.

Un mensaje de seguridad le avisa sobre los peligros potenciales que podrían causarle lesiones a usted y a los demás. Todos los mensajes de seguridad vienen precedidos por un símbolo de alerta de seguridad  y una de las tres palabras, PELIGRO, ADVERTENCIA o PRECAUCIÓN.

Estas palabras de indicación significan:

 **PELIGRO**

MUERTE o LESIONES GRAVES SEGURAS en caso de no seguir las instrucciones.

 **ADVERTENCIA**

POSIBILIDAD de MUERTE o de LESIONES GRAVES en caso de no seguir las instrucciones.

 **PRECAUCIÓN**

POSIBILIDAD de LESIONES en caso de no seguir las instrucciones.

Los mensajes le explican en qué consiste el peligro, lo que puede suceder, y lo que usted debe hacer para evitar lesiones o para reducir la gravedad de estas.

## MENSAJES PARA PREVENCIÓN DE DAÑOS

Encontrará también otros mensajes importantes que vienen precedidos por la palabra AVISO.

Esta palabra significa:

 **AVISO**

Pueden producirse daños en el motor o en las pertenencias de terceras personas si no sigue las instrucciones.

El propósito de estos mensajes es el de ayudar a evitar daños en el motor, en las pertenencias de terceras personas, o en el medio ambiente.

## INFORMACIÓN DE SEGURIDAD

- Comprenda el funcionamiento de todos los controles y aprenda a parar con rapidez el motor en un caso de emergencia. Asegúrese de que el operador haya recibido una instrucción adecuada antes de operar el equipo.
- No permita que los niños operen el motor. Mantenga a los niños y animales apartados del lugar de operación.
- Los gases de escape del motor contienen monóxido de carbono, que es un gas venenoso. No ponga en marcha el motor si no hay una ventilación adecuada, y no ponga nunca en marcha el motor en un lugar cerrado.
- El motor y el sistema de escape se calientan mucho durante la operación. Mantenga el motor por lo menos a 1 metro de distancia de edificios y de otros equipos durante la operación. Mantenga apartados los materiales inflamables, y no ponga nada sobre el motor mientras esté en marcha.

## CARACTERÍSTICAS

### Embrague centrífugo

El embrague centrífugo se aplica automáticamente y transmite la fuerza cuando se incrementa la velocidad del motor por encima de aproximadamente GX25/GX35: 4.200 min<sup>-1</sup>(rpm), GX50: 4.400 min<sup>-1</sup>(rpm). A la velocidad de ralentí, el embrague no está aplicado.

 **AVISO**

No ponga en marcha el motor sin montarlo en un equipo que incluya el tambor y la caja del embrague centrífugo, porque la fuerza centrífuga provocaría que las zapatas del embrague se pusieran en contacto causando daños en la caja del motor.

## COMPROBACIONES PREVIAS A LA OPERACIÓN

### ¿ESTÁ PREPARADO EL MOTOR PARA FUNCIONAR?

Por su propia seguridad, para asegurar el cumplimiento de las regulaciones medioambientales y para maximizar la vida de servicio de su equipo, es muy importante dedicar un poco de tiempo para comprobar el estado del motor antes de ponerlo en funcionamiento. Antes de poner en marcha el motor, deberá asegurarse de haber solucionado cualquier problema encontrado, o de solicitar a su concesionario de servicio que lo solucione.

#### ⚠ ADVERTENCIA

Si no se realiza un mantenimiento correcto de este motor, o si no se corrige un problema antes de la operación, se puede producir una avería importante.

Algunos funcionamientos incorrectos pueden provocar lesiones graves o incluso la muerte.

Antes de cada operación, efectúe siempre la inspección previa a la operación y solucione los problemas encontrados.

Antes de comenzar las comprobaciones previas a la operación, asegúrese de que el motor esté nivelado y que el interruptor del motor esté en la posición OFF.

Compruebe siempre los elementos siguientes antes de poner en marcha el motor:

#### Comprobación del estado general del motor

1. Antes de cada utilización, mire en torno al motor y debajo de este para ver si hay indicios de fugas de aceite o de gasolina.
2. Extraiga el polvo o la suciedad excesiva, especialmente en torno al silenciador y al arrancador de retroceso.
3. Busque si hay indicios de daños.
4. Compruebe que todos los protectores y cubiertas estén en su lugar, y que todas las tuercas, pernos, y tornillos estén apretados.

#### Comprobación del motor

1. Compruebe el nivel de combustible (vea la página 4). Comenzar el trabajo con el depósito lleno, le ayudará a eliminar o reducir las interrupciones para la operación de repostaje.
2. Compruebe el nivel de aceite de motor (vea la página 5). El motor puede dañarse si se utiliza con un nivel bajo de aceite.
3. Compruebe el elemento del filtro de aire (vea la página 5). Un elemento sucio del filtro de aire restringirá el flujo de aire al carburador, reduciendo el rendimiento del motor.
4. Compruebe el equipo que deba funcionar con este motor.

Revise las instrucciones proporcionadas con el equipo que deba funcionar con este motor para ver si hay precauciones y procedimientos que deban seguirse antes de poner en marcha el motor.

## FUNCIONAMIENTO

### PRECAUCIONES PARA UNA OPERACIÓN SEGURA

Antes de poner en marcha el motor por primera vez, revise la sección *INFORMACIÓN DE SEGURIDAD* en la página 1 y la sección *COMPROBACIONES PREVIAS A LA OPERACIÓN*.

#### Peligros del monóxido de carbono

Por su propia seguridad, no opere el motor en lugares cerrados como, por ejemplo, dentro de un garaje. Los gases de escape del motor contienen monóxido de carbono que es un gas que se acumula con rapidez en lugares cerrados y que causa malestar o incluso la muerte.

#### ⚠ ADVERTENCIA

Los gases de escape contienen monóxido de carbono, un gas venenoso que puede acumularse hasta niveles peligrosos en lugares cerrados.

Respirar monóxido de carbono puede causar pérdida de conocimiento o la muerte.

No ponga nunca en marcha el motor en un lugar cerrado ni parcialmente cerrado.

Revise las instrucciones proporcionadas con el equipo que deba funcionar con este motor para ver si hay precauciones de seguridad que deban observarse para poner en marcha, parar u operar el motor.

#### ARRANQUE DEL MOTOR

Consulte la Figura 1, página A-2.

Consulte las instrucciones suministradas con el equipo para la palanca del acelerador y el interruptor del motor.

1. Para arrancar un motor cuando está frío, mueva la palanca del estrangulador [1] hacia la posición CERRADO [A].  
Para volver a arrancar el motor cuando está caliente, deje la palanca del estrangulador en la posición ABIERTO [B].
2. Presione la bomba de cebado [2] varias veces hasta que esté llena de combustible.  
Aunque la bomba de cebado se presione demasiadas veces, el exceso de combustible regresará al depósito de combustible. Si la bomba de cebado no se presiona lo suficiente, el motor no podrá arrancar.
3. Gire el interruptor del motor [3] a la posición ON (I) [A].
4. Tire ligeramente de la empuñadura del arrancador [4] hasta notar resistencia, y entonces tire con fuerza en la dirección de la flecha [5]. Deje que la empuñadura del arrancador retorne con suavidad.

#### AVISO

*No permita que la empuñadura del arrancador retroceda con fuerza golpeando el motor.  
Haga que retorne con suavidad para evitar daños en el arrancador.*

5. Si se ha colocado la palanca del estrangulador en la posición CERRADO [A] para arrancar el motor, muévela gradualmente a la posición ABIERTO [B] a medida que se va calentando el motor.



## Reinicio en caliente

Si el motor se tiene en funcionamiento en lugares con altas temperaturas ambientales, y luego se para y se deja en reposo un rato, es posible que no pueda volver a ponerse en marcha a la primera.

Si es necesario, emplee el procedimiento siguiente:

### PRECAUCIONES DE SEGURIDAD IMPORTANTES

Gire el interruptor del motor a la posición OFF antes de realizar el procedimiento siguiente. De este modo evitará que el motor pueda ponerse en marcha y opere a la velocidad máxima cuando el acelerador está en la posición MAX. de velocidad máxima. Si se pone en marcha el motor con el acelerador en la posición MAX. de velocidad máxima, es posible que el equipo se mueva rápidamente hacia delante o que el accesorio de la recortadora gire a la velocidad máxima. Esto podría causar lesiones personales.

1. Gire el interruptor del motor a la posición OFF (○) [B].
2. Mueva la palanca del estrangulador a la posición ABIERTO.
3. Retenga la palanca del acelerador [6] del equipo en la posición MAX. [B].
4. Tire de la empuñadura del arrancador de 3 a 5 veces.

Siga el procedimiento ARRANQUE DEL MOTOR de la página 2 y arranque el motor con la palanca del estrangulador en la posición ABIERTO.

## AJUSTE DE LA VELOCIDAD DEL MOTOR

Ajuste la palanca del acelerador a la velocidad deseada del motor.

Para ver las recomendaciones de la velocidad del motor, consulte el manual de instrucciones suministrado con el equipo que deba funcionar con este motor.

## PARADA DEL MOTOR

Para parar el motor en caso de emergencia, simplemente gire el interruptor del motor a la posición OFF (○). En situaciones normales, emplee el procedimiento siguiente.

1. Mueva la palanca del acelerador a la posición MIN. (←) [A].
2. Gire el interruptor del motor a la posición OFF (○).

## SERVICIO DE SU MOTOR

### LA IMPORTANCIA DEL MANTENIMIENTO

El buen mantenimiento es esencial para conseguir un funcionamiento seguro, económico y exento de problemas. Ayudará también a reducir la contaminación.

#### ⚠ ADVERTENCIA

Si no se realiza un mantenimiento correcto de este motor, o si no se corrige un problema antes de la operación, se puede producir una avería importante.

Algunos funcionamientos incorrectos pueden provocar lesiones graves o incluso la muerte.

Siga siempre las recomendaciones de inspección y mantenimiento y los programas de este manual del propietario.

Para ayudarle a cuidar adecuadamente el motor, las páginas siguientes incluyen un programa de mantenimiento, procedimientos de inspección rutinarios, y procedimientos de mantenimiento sencillos empleando herramientas manuales básicas. Las otras tareas de servicio que son más difíciles, o que requieren herramientas especiales, es mejor que sean realizadas por profesionales y normalmente las lleva a cabo un mecánico de Honda u otro mecánico cualificado.

El programa de mantenimiento se aplica a las condiciones normales de operación.

Si opera el motor en condiciones severas, tales como con una carga elevada continua o a altas temperaturas, o si lo utiliza en condiciones con mucha humedad o polvo, consulte a su concesionario de servicio Honda para que le proporcione las recomendaciones aplicables a sus necesidades y aplicaciones individuales.

**El mantenimiento, sustitución o reparación de los dispositivos y sistemas de control de las emisiones de escape pueden realizarse en cualquier establecimiento de reparaciones de motores o por parte de cualquier persona, empleando piezas "homologadas" según las normas EPA.**

### SEGURIDAD DEL MANTENIMIENTO

A continuación se mencionan algunas de las precauciones de seguridad más importantes. No obstante, no podemos avisarle sobre todos los peligros posibles que pueden surgir al realizar el mantenimiento. Solamente usted puede decidir si debe realizar un trabajo determinado.

#### ⚠ ADVERTENCIA

El mantenimiento inadecuado puede provocar una falta de seguridad.

Si no sigue correctamente las instrucciones y precauciones para el mantenimiento, correrá el peligro de sufrir heridas graves o incluso la muerte.

Siga siempre con cuidado los procedimientos y precauciones de este manual del propietario.

### PRECAUCIONES DE SEGURIDAD

- Asegúrese de que el motor esté desconectado antes de comenzar cualquier trabajo de mantenimiento o de reparación. Para evitar el arranque involuntario, desconecte la tapa de la bujía. De este modo eliminará muchos peligros potenciales:
  - **Intoxicación por monóxido de carbono procedente del tubo de escape del motor.**  
Haga funcionar el motor al aire libre y alejado de ventanas o puertas abiertas.
  - **Quemaduras con piezas calientes.**  
Espere a que se enfríen el motor y el sistema de escape antes de tocarlos.
  - **Lesiones por piezas en movimiento.**  
No ponga en marcha el motor a menos que se lo indiquen las instrucciones.

- Lea las instrucciones antes de empezar, y asegúrese de disponer de las herramientas y conocimientos necesarios.
- Para reducir la posibilidad de incendio o explosión, tenga cuidado cuando trabaje cerca de gasolina. Emplee solo solventes ininflamables, y no emplee gasolina, para limpiar las partes. Mantenga apartados los cigarrillos, las chispas y el fuego de las partes relacionadas con el combustible.

Recuerde que su concesionario de servicio autorizado Honda es quien mejor conoce su motor y que está completamente equipado para su mantenimiento y reparación.

Para asegurar la mejor calidad y fiabilidad, emplee solo repuestos nuevos originales Honda Genuine o sus equivalentes para las reparaciones y reemplazos.

## PROGRAMA DE MANTENIMIENTO

PERIODOS REGULARES DE SERVICIO (3) Efectuar en cada uno de los intervalos indicados, en meses u horas de funcionamiento, lo que se produzca antes.	Antes de cada uso	Primer mes o 10 h.	Cada 3 meses o 25 h.	Cada 6 meses o 50 h.	Cada año o 100 h.	Cada 2 años o 300 h.	Consultar la página
<b>PIEZA</b>							
Aceite del motor	Comprobar el nivel	o (6)					5
	Cambiar		o	o			
Filtro de aire	Revisar	o (6)					5
	Limpiar		o (1)				
	Sustituir			o (5)			
Bujía	Revisar-ajustar				o		6
	Sustituir					o	
Correa de distribución	Revisar	Cada 300 h (2) (4)					Manual de taller
Parachispas (Tipos aplicables)	Limpiar				o		7
Filtro de escape (Tipos aplicables)	Limpiar				o		7
Aletas de refrigeración del motor	Comprobar-limpiar			o			6
Tuercas, pernos y elementos de fijación (Volver a apretar si es necesario)	Revisar	o					2
Zapatas del embrague	Revisar			o (2)			Manual de taller
Ralentí	Revisar-ajustar				o (2)		Manual de taller
Holgura de las válvulas	Revisar-ajustar				o (2)		Manual de taller
Depósito de combustible	Limpiar	Cada 300 h. (2)					Manual de taller
Filtro de combustible y depósito de combustible	Limpiar				o		7
Tubos de combustible	Revisar	Cada 2 años (Sustituir si es necesario) (2)					Manual de taller
Tubo de aceite	Revisar	Cada 2 años (Sustituir si es necesario) (2)					Manual de taller

- (1) Para reducir el período de servicio cuando se utiliza en condiciones difíciles, como zonas polvorizadas.
- (2) El servicio de estas piezas deberá realizarlo su concesionario de servicio, a menos que usted disponga de las herramientas adecuadas y posea suficientes conocimientos mecánicos. Para ver los procedimientos de servicio, consulte el manual de taller Honda.
- (3) Para aplicaciones comerciales, registre las horas de funcionamiento para poder determinar los intervalos adecuados de mantenimiento.
- (4) Compruebe que no haya grietas ni desgaste anormal en la correa, y sustitúyala si su estado no es el adecuado.
- (5) Sustituya el elemento de filtro de aire de papel del tipo (GX35, GX50) solamente.
- (6) Limpiar o sustituir si está demasiado sucio.

Si no sigue este programa de mantenimiento pueden producirse fallas que no entran en la garantía.

## REPOSTAJE

Consulte la Figura 2, página A-2.

### Combustible recomendado

Gasolina sin plomo	
EE. UU.	86 octanos de bomba o superior
Excepto EE. UU.	91 octanos de investigación o superior
	86 octanos de bomba o superior

Especificaciones de combustible necesarias para mantener el desempeño del sistema de control de emisiones: combustible E10 al que se hace referencia en el reglamento de la Unión Europea.

Este motor está homologado para funcionar con gasolina sin plomo con un valor de octanos de bomba de 86 o más alto (un valor de octanos de investigación de 91 o más alto).

Reposte en un lugar bien ventilado con el motor parado. Si el motor ha estado funcionando, espere primero a que se enfríe. No reposte nunca el motor dentro de un edificio donde los gases de la gasolina pudieran entrar en contacto con fuegos o chispas.

Podrá emplear gasolina sin plomo con un contenido máximo del 10 % de etanol (E10) o del 5 % de metanol por volumen. Además, el metanol debe contener cosolventes e inhibidores contra la corrosión. El uso de combustibles con un contenido en etanol o metanol mayor que el indicado anteriormente puede causar problemas en el arranque o el rendimiento. También puede causar daños en las partes metálicas, de goma y de plástico del sistema de combustible. Los daños del motor o los problemas de funcionamiento debidos al empleo de un combustible con porcentajes de etanol o metanol mayores que los indicados arriba no están cubiertos por la Garantía.

Si su equipo se utiliza con poca frecuencia o de forma intermitente, consulte la sección sobre el "Combustible" del capítulo "ALMACENAJE DEL MOTOR" (vea la página 8) para obtener más información acerca del deterioro del combustible.

No utilice nunca gasolina en mal estado, contaminada o mezclada con aceite.

Evite la entrada de suciedad o agua en el depósito de combustible.

## ⚠ ADVERTENCIA

La gasolina es muy inflamable y explosiva.

Correrá el peligro de quemaduras o de heridas graves al manipular el combustible.

- Pare el motor y espere a que se enfríe antes de manipular el combustible.
- Manténgase lejos del calor, las chispas y el fuego.
- Manipule el combustible solo en exteriores.
- Manténgase alejado de su vehículo.
- Limpie inmediatamente el líquido derramado.

### Comprobación del nivel de combustible

#### AVISO

*El combustible puede dañar la pintura y ciertos tipos de plástico. Tenga cuidado con no derramar combustible cuando llene el depósito. Los daños causados por el combustible derramado no están cubiertos por la garantía limitada del distribuidor.*

1. Compruebe visualmente el nivel de combustible desde el exterior del depósito de combustible, manteniendo el cuello de llenado de combustible en posición vertical.
2. Si el nivel de combustible es bajo, reposte en un lugar bien ventilado con el motor parado. Si el motor ha estado funcionando, espere a que se enfríe.

Retire el tapón de llenado de combustible [1] y llene el depósito con gasolina hasta la parte inferior del cuello de llenado. Reposte con cuidado para que no se derrame combustible. No llene excesivamente. No debe haber combustible en el cuello de llenado. Después de repostar, apriete firmemente el tapón de llenado de combustible.

Procure que la gasolina no entre en contacto con las luces piloto de los aparatos, barbacoas, aparatos eléctricos, herramientas eléctricas, etc.

El combustible derramado puede provocar un incendio y, además, es perjudicial para el medio ambiente. Limpie inmediatamente el líquido derramado.

## ACEITE DE MOTOR

El aceite es un factor muy importante que afecta el rendimiento y la vida de servicio.

Emplee aceite detergente para automóviles de 4 tiempos.

### Aceite recomendado

Consulte la Figura 3, página A-2.

Emplee aceite de motor de 4 tiempos que satisfaga o exceda los requisitos para la clasificación de servicio API de SJ o posterior (o equivalente). Compruebe siempre la etiqueta de servicio API del recipiente de aceite para asegurarse que incluye las letras SJ o posterior (o equivalente).

Especificaciones de aceite de lubricación necesarias para mantener el desempeño del sistema de control de emisiones: aceite genuino Honda.

Se recomienda el SAE 10W-30 para aplicaciones generales. Las otras viscosidades mostradas en la gráfica pueden utilizarse cuando la temperatura media de su zona está dentro del margen indicado.

### Comprobación del nivel de aceite

Consulte la Figura 4, página A-2.

Compruebe el nivel del aceite de motor antes de cada utilización, o cada 10 horas si funciona continuamente.

Compruebe el nivel del aceite de motor con el motor parado y en una posición nivelada.

1. Extraiga el tapón de llenado de aceite/la varilla de medición del nivel [1] y frótelas para limpiarla.
2. Inserte y extraiga el tapón de llenado de aceite/la varilla de medición del nivel sin enroscarla en el cuello de llenado de aceite; a continuación, extráigala y compruebe el nivel de aceite indicado en la varilla de medición del nivel.
3. Si el nivel de aceite está cerca o por debajo de la marca del límite inferior de la varilla de medición del nivel, llene con aceite recomendado hasta llegar al borde inferior del orificio de relleno de aceite [2]. Para evitar el relleno excesivo o insuficiente, compruebe que el motor se encuentre en una posición nivelada, como se muestra en la imagen, mientras añade aceite.
4. Vuelva a instalar el tapón de llenado de aceite/varilla de medición del nivel de aceite y apriétela con seguridad.

### AVISO

*El motor puede dañarse si se utiliza con un nivel bajo de aceite. Este tipo de daños no está cubierto por la garantía limitada del distribuidor.*

### Cambio del aceite

Consulte la Figura 5, página A-2.

Drene el aceite usado cuando el motor esté caliente. El aceite caliente se drena con más rapidez y por completo.

1. Compruebe que el tapón de llenado de combustible [1] esté apretado firmemente.
2. Ponga un recipiente adecuado debajo del motor para recoger el aceite usado.
3. Extraiga el tapón de llenado de aceite/la varilla de medición del nivel y drene el aceite en el recipiente inclinando el motor hacia el cuello de llenado de aceite [2].

### AVISO

*Descarte el aceite de motor usado de una manera que sea compatible con el medio ambiente. Le aconsejamos que lleve el aceite usado en un recipiente cerrado al centro de reciclaje de su localidad o a una gasolinera para que se encarguen de reciclarlo. No lo tire a la basura, no lo derrame al suelo, ni lo vierta por una alcantarilla.*

4. Con el motor en una posición nivelada, llene con aceite recomendado hasta llegar al borde inferior del orificio de relleno de aceite.

Después del drenaje quedará un poco de aceite en el motor. Cuando rellene con aceite nuevo, empiece con menos de la capacidad de aceite de motor. Añada lentamente suficiente aceite para llenar hasta el borde inferior del orificio de relleno de aceite.

Capacidad del aceite del motor: GX25: 0,08 L  
GX35: 0,10 L  
GX50: 0,13 L

### AVISO

*El motor puede dañarse si se utiliza con un nivel bajo o excesivo de aceite. Este tipo de daños no está cubierto por la garantía limitada del distribuidor.*

5. Vuelva a colocar firmemente el tapón de llenado de aceite/la varilla de medición del nivel.  
Recuerde limpiar siempre el aceite que se haya derramado.

## FILTRO DE AIRE

Un filtro de aire sucio restringirá el flujo de aire al carburador, reduciendo el rendimiento del motor. Si utiliza el motor en lugares muy polvorientos, limpie el elemento del filtro de aire con mayor frecuencia que la que se especifica en el PROGRAMA DE MANTENIMIENTO (vea la página 4).

### AVISO

*Si se pone en funcionamiento el motor sin el elemento del filtro de aire, o con un elemento del filtro de aire dañado, la suciedad se introducirá en el motor, ocasionando un desgaste rápido. Este tipo de daños no está cubierto por la garantía limitada del distribuidor.*

### Inspección (tipo de elemento de filtro de aire de espuma)

Consulte la Figura 6, página A-2.

Presione la lengüeta del cierre [1] de la parte superior de la cubierta del filtro de aire, y extraiga la cubierta [2]. Inspeccione el elemento del filtro de aire [3]. Limpie o sustituya el elemento sucio del filtro de aire. Sustituya siempre el elemento del filtro de aire si está dañado.

Vuelva a colocar firmemente el elemento del filtro de aire y la cubierta del filtro de aire.

Consulte las siguientes instrucciones de limpieza para el filtro de aire y el filtro.

### Limpieza (tipo de elemento de filtro de aire de espuma)

Consulte la Figura 7, página A-3.

1. Limpie el elemento del filtro en agua tibia con jabón, aclárelo y déjelo secar totalmente. También podrá limpiarlo en solvente inflamable y dejarlo secar.
2. Sumerja el elemento del filtro en aceite de motor limpio, y luego exprima todo el aceite excesivo. Si se deja demasiado aceite en el elemento, el motor producirá humo cuando al arrancar.
3. Limpie la suciedad del cuerpo del filtro de aire y la cubierta empleando un paño humedecido. Evite que se introduzca suciedad en el carburador.
4. Vuelva a colocar firmemente el elemento del filtro y la cubierta del filtro de aire.

### Inspección (tipo de elemento de filtro de aire de papel)

Consulte la Figura 8, página A-3.

Afloje el tornillo [1] y retire la cubierta del filtro de aire [2]. Inspeccione el elemento del filtro de aire [3]. Limpie o sustituya el elemento sucio del filtro de aire. Sustituya siempre el elemento del filtro de aire si está dañado. Vuelva a colocar el elemento del filtro de aire y la cubierta del filtro de aire, y apriete firmemente el tornillo. Consulte las siguientes instrucciones de limpieza.

### Limpieza (tipo de elemento de filtro del aire de papel)

Consulte la Figura 9, página A-3.

1. Afloje el tornillo [1] y retire la cubierta del filtro de aire [2].
2. Retire el elemento de filtro de aire de papel [3] del cuerpo del filtro de aire.
3. Inspeccione el elemento del filtro de aire y sustitúyalo si está dañado. Reemplace siempre el elemento de papel del filtro de aire a los intervalos programados (vea la página 4).
4. Limpie el elemento del filtro de aire si va a volver a usarse. Consulte la Figura 9, página A-3.

Golpee varias veces el elemento de filtro de aire de papel contra una superficie dura para sacar la suciedad, o sople aire comprimido [sin exceder 200 kPa, (2,0 kgf/cm<sup>2</sup>)] por el elemento del filtro desde el lado del cuerpo del filtro de aire. No trate nunca de cepillar la suciedad; el cepillo metería la suciedad al interior de las fibras. Sustituya el elemento de filtro de aire de papel si está demasiado sucio.

5. Limpie la suciedad desde el interior del cuerpo del filtro de aire y la cubierta empleando un paño humedecido. Evite que se introduzca suciedad en el conducto de aire que va al carburador.
6. Vuelva a instalar el elemento de filtro del aire de papel en el cuerpo del filtro de aire.
7. Coloque la cubierta del filtro de aire y apriete firmemente el tornillo.

### BUJÍA

Consulte la Figura 10, página A-3.

**Bujía recomendada:** CM5H (NGK), CMR5H (NGK)

La bujía recomendada tiene el margen térmico correcto para las temperaturas normales de operación del motor.

#### AVISO

*Una bujía incorrecta puede causar daños en el motor.*

Para obtener un buen rendimiento, el huelgo de los electrodos de la bujía deberá ser correcto y no deberá haber carbonilla acumulada.

1. Afloje el perno hexagonal [1] con una llave hexagonal y retire la cubierta superior [2].

#### ⚠ PRECAUCIÓN

No haga funcionar el motor con la cubierta superior retirada.

No tire de la empuñadura del arrancador de retroceso con la cubierta superior retirada.

Las partes giratorias pueden lesionarle y el silenciador puede causar quemaduras.

2. Desconecte la tapa de la bujía [3] y limpie la suciedad que pudiera haber en torno al área de la bujía.
3. Extraiga la bujía [4] con una llave para bujías de 5/8 pulgadas.
4. Inspeccione la bujía. Sustitúyala si está dañada o muy sucia, si la arandela de sellado [5] está en mal estado, o si el electrodo está gastado.
5. Mida el huelgo del electrodo de la bujía con un calibre de espesores del tipo de alambre. Corrija el huelgo, si es necesario, doblando con cuidado el electrodo lateral. El huelgo deberá ser: 0,6–0,7 mm
6. Instale con cuidado la bujía, con la mano, para evitar que se dañen las roscas.
7. Después de haberse asentado la bujía, apriétela con una llave para bujías de 5/8 pulgadas para comprimir la arandela de sellado.

Cuando instale una bujía nueva, apriétela 1/2 de vuelta después de haberse asentado la bujía para comprimir la arandela.

Cuando vuelva a instalar la bujía original, apriétela 1/8-1/4 de vuelta después de haberse asentado la bujía para comprimir la arandela.

**PAR DE TORSIÓN:** 11,8 N·m (1,2 kgf·m)

#### AVISO

*Una bujía floja puede causar sobrecalentamiento y daños en el motor. El apriete excesivo de la bujía puede dañar las roscas de la culata de cilindros.*

8. Instale la tapa de la bujía en la bujía.
9. Instale la cubierta superior y apriete firmemente el perno hexagonal con una llave hexagonal.

### ALETAS DE REFRIGERACIÓN

Consulte la Figura 11, página A-3.

#### Inspección y limpieza

1. Afloje el perno hexagonal y extraiga la cubierta superior.
2. Desconecte la tapa de la bujía (vea la página 6).
3. Inspeccione las aletas de refrigeración del motor [1] y limpie la suciedad si fuera necesario.
4. Vuelva a conectar la tapa de la bujía.
5. Coloque la cubierta superior y apriete firmemente el perno hexagonal.



## FILTRO DE COMBUSTIBLE Y DEPÓSITO DE COMBUSTIBLE

### Inspección del filtro de combustible y limpieza del depósito de combustible

Consulte la Figura 12, página A-3.

#### **⚠ ADVERTENCIA**

La gasolina es muy inflamable y explosiva.

Correrá el peligro de quemaduras o de heridas graves al manipular el combustible.

- Pare el motor y espere a que se enfríe antes de manipular el combustible.
- Manténgase lejos del calor, las chispas y el fuego.
- Manipule el combustible solo en exteriores.
- Manténgase alejado de su vehículo.
- Limpie inmediatamente el líquido derramado.

1. Compruebe que el tapón de llenado de aceite del motor/la varilla de medición del nivel [1] estén apretados firmemente.
2. Retire el tapón de llenado de combustible y drene el combustible en un recipiente homologado para gasolina inclinando el motor hacia el cuello de llenado de combustible [2].
3. Saque el filtro de combustible [3] por el cuello de llenado de combustible engancharlo el tubo de combustible negro con un trozo de alambre, como, por ejemplo, un clip de papel parcialmente extendido.
4. Inspeccione el filtro de combustible. Si el filtro de combustible está sucio, lávelo con cuidado con un solvente ininflamable o con un alto punto de inflamación. Si el filtro de combustible está muy sucio, sustitúyalo.
5. Extraiga el agua y la suciedad del depósito de combustible lavando su interior con un solvente ininflamable o con un alto punto de inflamación.
6. Inserte el filtro de combustible en el depósito de combustible y apriete firmemente el tapón de llenado de combustible.

### PARACHISPAS (tipos aplicables)

El parachispas puede ser estándar o un componente opcional, en función del tipo de motor. En algunas zonas, es ilegal utilizar motores sin parachispas. Consulte las leyes y regulaciones locales. Puede adquirir parachispas en los concesionarios de servicio Honda autorizados.

El mantenimiento del parachispas debe realizarse cada 100 horas para que siga funcionando de la forma prevista.

Después de que el motor haya estado en marcha, el silenciador estará caliente. Déjelo enfriar antes de realizar el mantenimiento del parachispas.

## GX25

Consulte la Figura 13, página A-3.

### Extracción del parachispas

1. Afloje el perno hexagonal y retire la cubierta superior (vea la página 6).
2. Extraiga los tornillos [1] del parachispas [2], y extraiga el parachispas del silenciador [3].

### Inspección y limpieza del parachispas

1. Utilice un cepillo para eliminar las acumulaciones de carbonilla de la rejilla del parachispas [4]. Tenga cuidado de no dañar la rejilla.

El parachispas no debe mostrar roturas ni agujeros. Sustituya el parachispas si está dañado.

2. Instale el parachispas en el orden inverso al del desmontaje.

Cuando instale el parachispas, la salida del parachispas debe estar orientada hacia el lado opuesto al de la bujía [5].

3. Coloque la cubierta superior y apriete firmemente el perno hexagonal (vea la página 6).

## GX35, GX50

Consulte la Figura 14, página A-3.

### Extracción del parachispas

1. Afloje el perno hexagonal y retire la cubierta superior (vea la página 6).
2. Extraiga los tornillos autorroscantes [1] del parachispas [2], y extraiga el parachispas y el filtro de escape [3] del silenciador [4].

### Limpieza e inspección del filtro de escape

Sujete el filtro de escape y golpéelo ligeramente con un dedo para extraer la carbonilla acumulada. Procure no golpearlo con demasiada fuerza. El filtro de escape no debe mostrar roturas ni agujeros. Si está dañado o excesivamente desgastado, hágalo reparar en su concesionario.

### Inspección y limpieza del parachispas

1. Utilice un cepillo para eliminar las acumulaciones de carbonilla de la rejilla del parachispas [5]. Tenga cuidado de no dañar la rejilla.

El parachispas no debe mostrar roturas ni agujeros. Sustituya el parachispas si está dañado.

2. Instale el filtro de escape y el parachispas en el orden inverso al del desmontaje.

Cuando instale el parachispas, la salida del parachispas debe estar orientada hacia el lado opuesto al de la bujía [6].

3. Coloque la cubierta superior y apriete firmemente el perno hexagonal.



## EXTRACCIÓN/INSTALACIÓN DEL TUBO DE AIRE CALIENTE (tipos aplicables)

### AVISO

- El procedimiento normal es utilizar el motor con el tubo de aire caliente instalado, ya que en caso contrario podría formarse hielo.
- Cuando la temperatura ambiente sea alta (30°C o superior), antes de poner en funcionamiento el motor extraiga siempre el tubo de aire caliente siguiendo este procedimiento. Utilizar el motor con el tubo de aire caliente instalado puede ocasionar un sobrecalentamiento del motor.
- Suelte el tubo de aire caliente del clip del tubo y desconéctelo del conducto de aire caliente antes de retirar la cubierta superior para el mantenimiento, etc. Después de colocar la cubierta superior, no se olvide volver a colocar firmemente el tubo de aire caliente en su posición original.

1. Retire la cubierta del filtro de aire (vea la página 5).
2. Consulte la Figura 15, página A-4.  
Suelte el tubo de aire caliente [1] del clip [2] en la cubierta del motor y saque el tubo de aire caliente del conducto de aire caliente [3] en la cubierta del motor.
3. Consulte la Figura 16, página A-4.  
Extraiga el racor de aire caliente [1] de la caja del filtro de aire.  
  
GX25: Presione el apéndice y empújelo a fondo para extraer el racor de aire caliente [1] de la caja del filtro de aire.  
  
GX35: Extraiga el racor de aire caliente de la caja del filtro de aire tirando hacia usted.
4. Extraiga el tubo de aire caliente con el racor colocado en el tubo. Guarde con cuidado las piezas extraídas en un lugar apropiado. Procure no perderlas.
5. Consulte la Figura 17, página A-4.  
Instale el tubo de aire caliente y el racor de aire caliente [1] en el orden inverso al de la extracción.  
(Solo GX25) Instale el racor de aire caliente en la caja del filtro de aire en la posición indicada.

## SUGERENCIAS Y OBSERVACIONES DE UTILIDAD

### ALMACENAJE DEL MOTOR

#### Preparativos para el almacenaje

Los preparativos adecuados para el almacenaje son esenciales para mantener el motor exento de problemas y con buena apariencia exterior. Los pasos siguientes ayudarán a evitar que la oxidación y la corrosión afecten el funcionamiento y el aspecto exterior del motor, y facilitarán el arranque del motor cuando lo vuelva a utilizar.

#### Limpieza

Si el motor ha estado en marcha, espere a que se enfríe por lo menos media hora antes de efectuar la limpieza. Limpie todas las superficies exteriores, retoque cualquier parte dañada con pintura, y revista las otras partes que puedan oxidarse con una capa fina de aceite.

### AVISO

Si se emplea una manguera de jardín o un equipo de lavado a presión, el agua puede meterse en el interior del filtro de aire o a la abertura del silenciador. Al agua dentro del filtro de aire mojará el filtro de aire, y el agua que pasa por el filtro de aire o el silenciador puede introducirse en el cilindro, y ocasionar daños.

## Combustible

### AVISO

Según la región donde utilice el equipo, es posible que las formulaciones de combustible se deterioren y oxiden rápidamente. El deterioro y la oxidación del combustible pueden producirse en tan solo 30 días y pueden causar daños en el carburador y/o en el sistema de combustible. Consulte con su concesionario de servicio las recomendaciones de almacenaje locales.

La gasolina se oxida y deteriora durante el almacenaje. La gasolina deteriorada dificulta el arranque y deja acumulaciones de suciedad que obstruyen el sistema de combustible. Si se deteriora la gasolina del motor durante el almacenaje, es posible que deba solicitar el mantenimiento o la sustitución del carburador y de otros componentes del sistema de combustible. La cantidad de tiempo que la gasolina puede permanecer en el carburador y el depósito de combustible sin causar problemas funcionales varía según factores tales como la mezcla de gasolina, la temperatura de almacenamiento y si el depósito de combustible está parcial o totalmente lleno. La presencia de aire en un depósito de combustible parcialmente lleno acelera el deterioro del combustible. Unas temperaturas de almacenaje demasiado altas aceleran el deterioro del combustible. Pueden producirse problemas de deterioro del combustible en unos meses o incluso antes si no se rellenó el depósito de combustible con gasolina nueva.

Los daños en el sistema de combustible o los problemas de rendimiento del motor debidos a unos preparativos inadecuados para el almacenaje no están cubiertos por la garantía limitada del distribuidor.

Podrá extender la vida de servicio durante el almacenaje del combustible añadiendo un estabilizador de gasolina que esté formulado para este propósito, o podrá evitar los problemas de deterioro del combustible drenando el depósito de combustible y el carburador.

### Añadir un estabilizador de gasolina para ampliar la duración de almacenaje del combustible

Si añade un estabilizador de gasolina, llene el depósito de combustible con gasolina nueva. Si solo llena el depósito parcialmente, la presencia de aire en el depósito puede acelerar el deterioro del combustible durante el almacenaje. Si utiliza un recipiente de gasolina para repostar, asegúrese de que solo contenga gasolina nueva.

1. Añada el estabilizador de gasolina siguiendo las instrucciones del fabricante.
2. Después de añadir un estabilizador de gasolina, ponga en marcha el motor al aire libre durante 10 minutos para que toda la gasolina tratada sea sustituida por la gasolina sin tratar del carburador.
3. Pare el motor.

## Drenaje del depósito de combustible y del carburador

Consulte la Figura 18, página A-4.

### ⚠ ADVERTENCIA

La gasolina es muy inflamable y explosiva.

Correrá el peligro de quemaduras o de heridas graves al manipular el combustible.

- Pare el motor y espere a que se enfríe antes de manipular el combustible.
- Manténgase lejos del calor, las chispas y el fuego.
- Manipule el combustible solo en exteriores.
- Manténgase alejado de su vehículo.
- Limpie inmediatamente el líquido derramado.

1. Asegúrese de que el tapón de llenado de aceite del motor/la varilla de medición del nivel [1] estén apretados firmemente.
2. Retire el tapón de llenado de combustible y drene el combustible en un recipiente homologado para gasolina inclinando el motor hacia el cuello de llenado de combustible [2].
3. Pulse la bomba de cebado [3] varias veces hasta que todo el combustible haya vuelto al depósito.
4. Incline otra vez el motor hacia el cuello de llenado de combustible para drenar el combustible.
5. Una vez drenado todo el combustible, vuelva a colocar firmemente el tapón de llenado de combustible.

### Aceite de motor

Consulte la Figura 5, página A-2.

Consulte la Figura 10, página A-3.

1. Cambie el aceite de motor (vea la página 5).
2. Afloje el perno hexagonal y retire la cubierta superior.
3. Extraiga la bujía (vea la página 6).
4. Aplique un par de gotas de aceite de motor limpio al cilindro.
5. Coloque provisionalmente la cubierta superior.
6. Tire varias veces de la empuñadura del arrancador para que el aceite se distribuya por el cilindro.
7. Retire la cubierta superior y reinstale la bujía.
8. Coloque la cubierta superior y apriete firmemente el perno hexagonal.
9. Tire lentamente de la empuñadura del arrancador hasta que note resistencia.

## Precauciones para el almacenaje

Si el motor va a almacenarse con gasolina en el depósito de combustible y en el carburador, es importante reducir el peligro de que se enciendan los gases de la gasolina. Seleccione un lugar de almacenaje bien ventilado apartado de todos los aparatos que funcionen con fuego, como pueden ser los hornos, calentadores de agua, o secadoras para la ropa. Evite también los lugares con motores eléctricos que produzcan chispas, o donde se utilicen herramientas eléctricas.

Si es posible, evite los lugares de almacenaje con mucha humedad, porque aceleran la oxidación y la corrosión. Mantenga el motor nivelado durante el almacenaje. La inclinación podría ocasionar fugas de combustible o de aceite. Cuando el motor y el sistema de escape estén fríos, cubra el motor para protegerlo contra el polvo. Si el motor y el sistema de escape están calientes pueden hacer que se enciendan o derritan algunos materiales. No emplee una lámina de plástico como cubierta contra el polvo. Una cubierta que no sea porosa no dejará escapar la humedad en torno al motor, acelerando la oxidación y la corrosión.

## Salida del almacenaje

Compruebe el motor como se describe en la sección de *COMPROBACIONES PREVIAS A LA OPERACIÓN* de este manual (vea la página 2).

Si se había drenado el combustible durante los preparativos para el almacenaje, llene el depósito con gasolina nueva. Si utiliza un recipiente de gasolina para repostar, asegúrese de que solo contenga gasolina nueva. La gasolina se oxida y se deteriora con el tiempo, dificultando el arranque. Si se había revestido el cilindro con aceite durante los preparativos para el almacenaje, el motor produce un poco de humo al principio. Esto es normal.

## TRANSPORTE

Si el motor ha estado en marcha, espere como mínimo 15 minutos a que se enfríe antes de cargar el equipo motorizado en el vehículo de transporte. Si el motor y el sistema de escape están calientes pueden causarle quemaduras y hacer que se enciendan algunos materiales.

## CUIDADOS PARA PROBLEMAS INESPERADOS

### NO ARRANCA EL MOTOR

Causa posible	Corrección
Estrangulador abierto.	Mueva la palanca a la posición CERRADO excepto si el motor está caliente.
Interruptor del motor OFF. (en el equipo)	Gire el interruptor del motor a la posición ON.
Sin combustible.	Reposte (p. 4).
Combustible en mal estado; se ha guardado el motor sin tratar o drenar la gasolina, o se ha repostado con gasolina en mal estado.	Drene el depósito de combustible y el carburador (p. 9). Reposte con gasolina nueva (p. 4).
Bujía averiada, desgastada o con huelgo incorrecto.	Coloque o sustituya la bujía (p. 6).
Bujía impregnada de combustible (motor ahogado).	Deje que la bujía se seque. Una vez seca, coloque la bujía y arranque el motor (p. 2).
Filtro de combustible no válido, fallo del carburador o del encendido, válvulas atascadas, etc.	Lleve el motor a su concesionario de servicio o consulte el manual de taller.

### FALTA DE POTENCIA EN EL MOTOR

Causa posible	Corrección
Elemento del filtro no válido.	Limpie o sustituya el elemento del filtro (p. 5).
Combustible en mal estado; se ha guardado el motor sin tratar o drenar la gasolina, o se ha repostado con gasolina en mal estado.	Drene el depósito de combustible y el carburador (p. 9). Reposte con gasolina nueva (p. 4).
Filtro de combustible no válido, fallo del carburador o del encendido, válvulas atascadas, etc.	Lleve el motor a su concesionario de servicio o consulte el manual de taller.

## INFORMACIÓN TÉCNICA Y DEL CONSUMIDOR

### INFORMACIÓN TÉCNICA

#### Situación del número de serie

Consulte la Figura 19, página A-4.

Anote el número de serie del motor [1], escriba [2] y la fecha de adquisición en los espacios siguientes. Necesitará esta información cuando realice pedidos de partes y consultas técnicas o sobre la garantía.

Número de serie del motor: \_\_\_\_\_ — \_\_\_\_\_

Tipo de motor: \_\_\_\_\_

Fecha de adquisición: \_\_\_\_\_ / \_\_\_\_\_ / \_\_\_\_\_

#### Enlace de control remoto

Consulte la Figura 20, página A-4.

La palanca de control del acelerador está provista de un dispositivo de enganche para colocar el cable [1].

Extraiga la cubierta del filtro de aire (vea la página 5) para poder acceder a la palanca del acelerador y el dispositivo de enganche del cable.

Coloque el cable del acelerador de la forma indicada en la ilustración.

Para ajustar el cable del acelerador, siga las instrucciones del fabricante del equipo.

#### Modificaciones en el carburador para funcionar a gran altitud

A grandes altitudes, la mezcla normal de aire-combustible del carburador será demasiado rica. El rendimiento disminuirá y aumentará el consumo de combustible. Si la mezcla es demasiado rica, también se ensuciará la bujía y puede dificultar el arranque. El uso del motor durante periodos de tiempo prolongados a una altitud distinta a la certificada puede provocar un aumento en las emisiones.

El rendimiento a grandes altitudes puede mejorar realizando modificaciones específicas en el carburador. Si siempre utiliza el motor en unas altitudes superiores a los 1.500 metros, solicite a su concesionario de servicio que efectúe esta modificación en el carburador. Si se utiliza este motor a gran altitud habiendo realizado las modificaciones en el carburador para funcionar a grandes altitudes, cumplirá con todas las normas relativas a las emisiones durante toda su vida útil.

Incluso habiendo realizado la modificación en el carburador, la potencia del motor se reducirá aproximadamente el 3,5 % por cada 300 m de incremento en la altitud. El efecto de la altitud sobre la potencia será mayor si no se realiza ninguna modificación en el carburador.

#### AVISO

*Cuando se haya modificado el carburador para funcionar a grandes altitudes, la mezcla de aire-combustible será demasiado pobre para funcionar a bajas altitudes. El funcionamiento a altitudes inferiores a 1.500 metros con el carburador modificado puede causar un sobrecalentamiento del motor y ocasionarle daños serios. Para el funcionamiento a bajas altitudes, solicite a su concesionario de servicio que reajuste el carburador a las especificaciones originales de fábrica.*

### Información del sistema de control de las emisiones de escape

#### Garantía del sistema de control de las emisiones de escape

Su nuevo motor Honda cumple las regulaciones de las emisiones de escape de EPA de EE. UU. y del Estado de California. American Honda proporciona la misma cobertura de la garantía sobre emisiones para motores de equipos motorizados Honda vendidos en los 50 estados. En todas las zonas de Estados Unidos, su motor de equipos motorizados Honda se ha diseñado, fabricado y equipado para cumplir la norma sobre las emisiones de escape de EPA de EE. UU. y del Consejo de recursos de aire de California para motores de encendido por chispa.

#### Cobertura de la garantía

Esta garantía cubre los motores de equipos motorizados Honda con certificación de las regulaciones CARB y EPA que se suministran libres de defectos en materiales y mano de obra, lo que puede evitar que cumplan los requisitos sobre emisiones de escape de EPA y CARB aplicables durante un mínimo de 2 años o mientras dure la *Garantía limitada del distribuidor de equipos motorizados Honda* (el periodo que sea más extenso), desde la fecha original de entrega al comprador minorista. Esta garantía es transferible a cada comprador posterior mientras siga en vigor el periodo de la garantía. El diagnóstico, las piezas y la mano de obra no conllevarán ningún coste durante el periodo de garantía. Para obtener información sobre cómo hacer una reclamación de garantía, así como una descripción de cómo se puede realizar una reclamación y/o cómo se proporciona el servicio, póngase en contacto con un distribuidor de equipos motorizados Honda autorizado o con American Honda en:

Correo electrónico:

[powerequipmentemissions@ahm.honda.com](mailto:powerequipmentemissions@ahm.honda.com)

Teléfono: (888) 888-3139

Los componentes cubiertos incluyen todos los componentes cuyo fallo pueda aumentar las emisiones evaporativas o de contaminantes regulados de un motor. Puede ver una lista de componentes específicos en la declaración de la garantía sobre emisiones que se incluye por separado.

Las condiciones específicas de la garantía, cobertura, limitaciones y forma de solicitar el servicio de garantía también se establecen en la declaración de la garantía sobre emisiones que se incluye por separado. Además, la declaración de la garantía sobre emisiones también se puede consultar en el sitio web de equipos motorizados Honda o en el enlace siguiente: <http://powerequipment.honda.com/support/warranty>

#### Origen de las emisiones de escape

El proceso de combustión produce monóxido de carbono, óxidos de nitrógeno e hidrocarburos. El control de los hidrocarburos y de los óxidos de nitrógeno es muy importante porque, bajo ciertas condiciones, reaccionan para formar humo fotoquímico cuando se exponen a la luz solar. El monóxido de carbono no reacciona del mismo modo, pero es tóxico.

Honda emplea unas proporciones adecuadas de aire/combustible y otros sistemas de control para reducir las emisiones de monóxido de carbono, de óxidos de nitrógeno y de hidrocarburos. Además, los sistemas de combustible Honda emplean componentes y tecnologías de control para reducir las emisiones de vapor de combustible.

#### Leyes del Aire Limpio de los EE. UU. y California, y Environment and Climate Change Canada (ECCC)

Las regulaciones de EPA de EE. UU., de California y Canadá estipulan que todos los fabricantes deben facilitar instrucciones escritas que describan el funcionamiento y el mantenimiento de los sistemas de control de las emisiones de escape.

Deberán seguirse las instrucciones y procedimientos siguientes para mantener las emisiones de escape del motor Honda dentro de lo estipulado por las normas acerca de dichas emisiones.

## Manipulación indebida y alteraciones

### AVISO

La manipulación indebida constituye una violación de las leyes de California y de las leyes federales.

La manipulación indebida o las alteraciones del sistema de control de las emisiones de escape pueden incrementar las emisiones hasta sobrepasar el límite legal. Entre los actos que constituyen una manipulación indebida se encuentran:

- Extracción o modificación de cualquier parte de los sistemas de admisión, combustible o escape.
- Modificación o supresión de la articulación del regulador o del mecanismo de ajuste de la velocidad para que el motor funcione fuera de sus parámetros de diseño.

### Problemas que pueden afectar a las emisiones de escape

Si percibe alguno de los síntomas siguientes, solicite a su concesionario de servicio que inspeccione y repare el motor.

- Dificultades para arrancar o calado tras el arranque.
- Ralentí irregular.
- Fallos de encendido o detonaciones bajo carga.
- Combustión retardada (detonaciones).
- Humo negro de escape o alto consumo de combustible.

### Repuestos

Los sistemas de control de las emisiones de escape de su nuevo motor Honda han sido diseñados, fabricados y certificados para conformar las regulaciones de las emisiones de escape estipuladas por EPA, y las de California y Canadá.

Recomendamos el empleo de repuestos originales Honda Genuine cuando se haga el mantenimiento.

Estos repuestos de diseño original están fabricados con las mismas normas que las partes originales, por lo que podrá confiar en su rendimiento. Honda no puede rechazar la cobertura de la garantía de emisiones exclusivamente por el empleo de repuestos que no sean de Honda o tareas de servicio realizadas en una ubicación que no sea un concesionario autorizado Honda; se pueden utilizar piezas certificadas por EPA equivalentes, así como solicitar el servicio en ubicaciones que no sean de Honda. Sin embargo, el empleo de repuestos que no son de diseño y calidad originales puede degradar la efectividad del sistema de control de las emisiones de escape.

Los fabricantes del mercado de repuestos asumen la responsabilidad de que el repuesto no afectará adversamente el rendimiento de las emisiones de escape. El fabricante o el remodelador del repuesto deberá certificar que el empleo del repuesto no ocasionará fallos del motor para que éste pueda cumplir las regulaciones sobre las emisiones de escape.

### Mantenimiento

Como propietario del motor de equipos motorizados, usted es responsable de completar todo el mantenimiento necesario incluido en el manual del propietario. Honda le recomienda que conserve todos los recibos que cubran el mantenimiento en su motor de equipos motorizados, pero Honda no puede rechazar la cobertura de la garantía simplemente por la falta de recibos o porque usted no haya podido garantizar la realización de todo el mantenimiento programado.

Siga el PROGRAMA DE MANTENIMIENTO de la página 4.

Recuerde que este programa se basa en la suposición de que el motor se utiliza para su propósito original. El funcionamiento continuado con grandes cargas o altas temperaturas, o la utilización en entornos con polvo, requerirá que se realice el servicio con más frecuencia.

## Índice de aire

### (Modelos homologados para su venta en California)

A los motores que han sido certificados para un período de durabilidad de las emisiones de acuerdo con las estipulaciones de la Junta de Recursos del Aire de California se les adjunta una etiqueta de información sobre el índice de aire.

La finalidad del gráfico de barras es ofrecerle a usted, nuestro cliente, la posibilidad de comparar el rendimiento de las emisiones de escape de los motores disponibles. Cuanto más bajo es el índice de aire, menos contaminación produce.

La descripción de la durabilidad tiene como finalidad informarle acerca del período de durabilidad de las emisiones de escape del motor.

El término descriptivo indica el período de vida de servicio del sistema de control de las emisiones de escape del motor.

Consulte la *garantía del sistema de control de las emisiones de escape* para obtener más información al respecto.

Término descriptivo	Aplicable al periodo de durabilidad de las emisiones
Moderado	50 horas (0–80 cc, incluido) 125 horas (más de 80 cc)
Intermedio	125 horas (0–80 cc, incluido) 250 horas (más de 80 cc)
Ampliado	300 horas (0–80 cc, incluido) 500 horas (más de 80 cc) 1.000 horas (225 cc o más)

La etiqueta de información del índice de aire debe permanecer en el motor hasta el momento de su venta. Antes de poner en funcionamiento el motor, retire la etiqueta.

## Especificaciones

### GX25 (Tipos básicos)

Código de descripción	GX25T	GX25NT
	GCALT	GCART
Longitud×Anchura× Altura	198×221×230 mm (7,8×8,7×9,1 pulg.)	
Masa en seco [Peso]	2,90 kg	
Tipo de motor	4 tiempos, árbol de levas en cabeza, monocilíndrico	
Cilindrada [Diámetro×carrera]	25,0 cm <sup>3</sup> [35,0×26,0 mm]	
Potencia neta (según SAE J1349*)	0,72 kW (1,0 CV) a 7.000 min <sup>-1</sup> (rpm)	
Par máx. neto (según SAE J1349*)	1,0 N·m (0,10 kgf·m) a 5.000 min <sup>-1</sup> (rpm)	
Capacidad del aceite del motor	0,08 L	
Capacidad del depósito de combustible	0,53 L	
Sistema de refrigeración	Aire forzado	
Sistema de encendido	Arranque por magneto-transistor	
Rotación del eje de la TDF	Hacia la izquierda	

### GX35 (Tipos básicos)

Código de descripción	GX35T	GX35NT
	GCAMT	GCAST
Longitud×Anchura× Altura	205×234×240 mm (8,1×9,2×9,4 pulg.)	
Masa en seco [Peso]	3,46 kg	
Tipo de motor	4 tiempos, árbol de levas en cabeza, monocilíndrico	
Cilindrada [Diámetro×carrera]	35,8 cm <sup>3</sup> [39,0×30,0 mm]	
Potencia neta (según SAE J1349*)	1,0 kW (1,4 CV) a 7.000 min <sup>-1</sup> (rpm)	
Par máx. neto (según SAE J1349*)	1,6 N·m (0,16 kgf·m) a 5.500 min <sup>-1</sup> (rpm)	
Capacidad del aceite del motor	0,10 L	
Capacidad del depósito de combustible	0,63 L	
Sistema de refrigeración	Aire forzado	
Sistema de encendido	Arranque por magneto-transistor	
Rotación del eje de la TDF	Hacia la izquierda	

### GX50 (Tipos básicos)

Código de descripción	GX50T	GX50NT
	GCCFT	GCCGT
Longitud×Anchura× Altura	199×260×263 mm (7,8 ×10,2 ×10,4 pulg.)	
Masa en seco [Peso]	4,13 kg	4,15 kg
Tipo de motor	4 tiempos, árbol de levas en cabeza, monocilíndrico	
Cilindrada [Diámetro×carrera]	47,9 cm <sup>3</sup> [43,0×33,0 mm]	
Potencia neta (según SAE J1349*)	1,47 kW (2,0 CV) a 7.000 min <sup>-1</sup> (rpm)	
Par máx. neto (según SAE J1349*)	2,1 N·m (0,21 kgf·m) a 5.000 min <sup>-1</sup> (rpm)	
Capacidad del aceite del motor	0,13 L	
Capacidad del depósito de combustible	0,63 L	
Sistema de refrigeración	Aire forzado	
Sistema de encendido	Arranque por magneto-transistor	
Rotación del eje de la TDF	Hacia la izquierda	

\* La potencia nominal del motor indicada en este documento es la potencia de salida neta probada en un modelo de motor de la línea de producción y medida conforme a la norma SAE J1349 a 7.000 min<sup>-1</sup>(rpm) (potencia neta) y en el GX25/GX50: 5.000 min<sup>-1</sup>(rpm), GX35: 5.500 min<sup>-1</sup>(rpm) (par motor neto máx.). Los motores de producción en cadena pueden tener valores diferentes a este.

La potencia real para el motor instalado en la máquina final dependerá de diversos factores, incluidos la velocidad de trabajo del motor en la aplicación, las condiciones ambientales, el mantenimiento, así como otras variables.

### Especificaciones de reglaje

PIEZA	ESPECIFICACIÓN	MANTENIMIENTO
Huelgo de bujía	0,6-0,7 mm (0,024-0,028 pulgadas)	Consultar la página 6
Ralentí	3100±200 min <sup>-1</sup> (rpm)	Consulte a su concesionario autorizado Honda
Holgura de la válvula (frío)	ADM: 0,08±0,02 mm ESC: 0,11±0,02 mm	
Otras especificaciones	No se necesita ningún otro ajuste.	

### Información de referencia rápida

Combustible	Gasolina sin plomo (consultar la página 4)	
	EE. UU.	86 octanos de bomba o superior
	Excepto EE. UU.	91 octanos de investigación o superior 86 octanos de bomba o superior
Aceite del motor	SAE 10W-30, API SJ o posterior, para usos generales. Consultar la página 5.	
Bujía	CM5H (NGK) CMR5H (NGK)	
Mantenimiento	Antes de cada uso:	
	<ul style="list-style-type: none"> <li>• Compruebe el nivel del aceite de motor. Consultar la página 5.</li> <li>• Compruebe el filtro de aire. Consultar la página 5.</li> </ul>	
	Primeras 10 horas: Cambie el aceite de motor. Consultar la página 5.	
Siguiendo: Consulte el programa de mantenimiento en la página 4.		

### Diagramas de conexiones

Consulte la Figura 21, página A-4.

Tipo de interruptor del motor: Consulte la Figura 22, página A-4.



## INFORMACIÓN DEL CONSUMIDOR

### Garantía e información para encontrar distribuidores/ concesionarios

**Estados Unidos, Puerto Rico, e Islas Vírgenes Estadounidenses:**  
Visite nuestro sitio web: [www.honda-engines.com](http://www.honda-engines.com)

**Canadá:**  
Llame al (888) 9HONDA9 o visite nuestro sitio web:  
[www.honda.ca](http://www.honda.ca)

**Para la zona de Europa:**  
Visite nuestro sitio web: <http://www.honda-engines-eu.com>

### Información de servicio para clientes

El personal de los concesionarios de servicio son profesionales entrenados. Ellos podrán contestar a cualquier pregunta que usted les haga. Si se encuentra con un problema que su concesionario no puede resolver satisfactoriamente, comuníquese al jefe del concesionario. El jefe de servicio, el director general, o el propietario podrán ayudarle. Casi todos los problemas se resuelven de este modo.

**Estados Unidos, Puerto Rico, e Islas Vírgenes Estadounidenses:**  
Si no queda satisfecho con la decisión tomada por los jefes del concesionario, póngase en contacto con el distribuidor regional de motores Honda de su localidad.

Si todavía no está satisfecho después de hablar con el distribuidor regional de motores, puede ponerse en contacto con la Oficina de Honda indicada.

**Todas las otras zonas:**  
Si no queda satisfecho con la decisión tomada por los jefes del concesionario, póngase en contacto con la Oficina de Honda como se muestra.

### «Oficina de Honda»

Cuando escriba o llame, tenga la amabilidad de incluir la información siguiente:

- Nombre del fabricante y número de modelo del equipo al que se ha montado el motor
- Modelo, número de serie, y tipo del motor (vea la página 10)
- Nombre del concesionario que le vendió el motor
- Nombre, dirección, y persona de contacto del concesionario que realiza el servicio de su motor
- Fecha de adquisición
- Su nombre, dirección y número de teléfono
- Una descripción detallada del problema

**Estados Unidos, Puerto Rico, e Islas Vírgenes Estadounidenses:**  
**American Honda Motor Co., Inc.**  
Power Equipment Division  
Oficina de relaciones con el cliente  
4900 Marconi Drive  
Alpharetta, GA 30005-8847

O llamar por teléfono: (770) 497-6400, 8:30 a. m. - 7:00 p. m. ET

**Canadá:**  
**Honda Canada, Inc.**  
Visite [www.honda.ca](http://www.honda.ca)  
para obtener información sobre direcciones

Teléfono: (888) 9HONDA9 Llamada gratuita  
(888) 946-6329

Facsímil: (877) 939-0909 Llamada gratuita

**Para la zona de Europa:**  
**Honda Motor Europe Logistics NV.**  
European Engine Center

<http://www.honda-engines-eu.com>

**Todas las otras zonas:**  
Póngase en contacto con el distribuidor Honda de su zona para que le ayude.

## Garantía internacional de los motores Honda de uso general

El motor Honda de uso general instalado en este producto de marca está cubierto por una garantía de motor Honda de uso general, bajo las condiciones siguientes.

- Las condiciones de garantía conforman las de los motores de uso general establecidas por Honda para cada país.
- Las condiciones de garantía se aplican a las averías de motores causadas por un problema de fabricación o de especificaciones.
- La garantía no se aplica en los países en los que no haya ningún distribuidor de Honda.

### Para obtener el servicio de garantía:

Deberá llevar su motor Honda, o el equipo donde está instalado, junto con el comprobante de la fecha de compra original a un concesionario de motores Honda autorizado para vender dicho producto en su país, o al concesionario donde compró el producto. Para localizar un distribuidor/concesionario Honda cercano o comprobar el estado de la garantía en su país, visite nuestro sitio web de información de servicio global <https://www.hppsv.com/ENG/>, o póngase en contacto con un distribuidor de su país.

### Exclusiones:

La garantía de este motor no incluye lo siguiente:

1. Los daños o deterioros provocados por lo siguiente:
  - Negligencia en el mantenimiento periódico según lo especificado en el manual del propietario del motor
  - Reparación o mantenimiento no adecuados
  - Métodos de funcionamiento distintos de los indicados en el manual del propietario del motor
  - Daños provocados por el producto en el que está instalado el motor
  - Daños provocados por la conversión a, o el uso de, combustible distinto del combustible para el que el motor se fabricó inicialmente, según lo establecido en el manual del propietario del motor y/o en el folleto de garantía
  - El uso de piezas y accesorios no originales de Honda, distintos de los aprobados por Honda (distintos de los lubricantes y líquidos recomendados) (no se aplica a la garantía de emisiones a menos que la pieza no original utilizada no sea comparable a la pieza de Honda y sea la causa de la avería)
  - Exposición del producto a hollín y humo, agentes químicos, excrementos de aves, agua marina, brisa marina, sal u otros fenómenos ambientales
  - Colisión, contaminación o deterioro del combustible, negligencia, alteración no autorizada o uso indebido
  - Desgaste y rotura naturales (decoloración natural de las superficies pintadas o cromadas, descascarado de láminas y otros tipos de deterioro natural)
2. Piezas consumibles: Honda no garantiza el deterioro de las piezas debido al desgaste y rotura normales. Las piezas indicadas a continuación no están cubiertas por la garantía (a menos que sean necesarias como parte de otra reparación de garantía):
  - Bujía, filtro de combustible, elemento del filtro de aire, disco de embrague, cuerda de arranque retráctil
  - Lubricante: aceite y grasa
3. Limpieza, ajuste y tareas normales de mantenimiento periódico (limpieza del carburador y drenaje de aceite del motor).
4. Uso del motor Honda de uso general para carreras o competiciones.
5. Cualquier motor que forme parte de un producto declarado como pérdida total o vendido como restos por una institución financiera o aseguradora.

### Acerca de la etiqueta de MANTENIMIENTO Y ASISTENCIA

Es posible que su motor Honda tenga adherida una etiqueta de MANTENIMIENTO Y ASISTENCIA\*. Si visita nuestro sitio web escaneando este código de barras bidimensional (código QR), encontrará información de servicio.  
\* Esta etiqueta no está adherida a todos los modelos.



[https://www.hondappsv.com/ENG/QR/GX25\\_35\\_50/](https://www.hondappsv.com/ENG/QR/GX25_35_50/)





**HONDA**