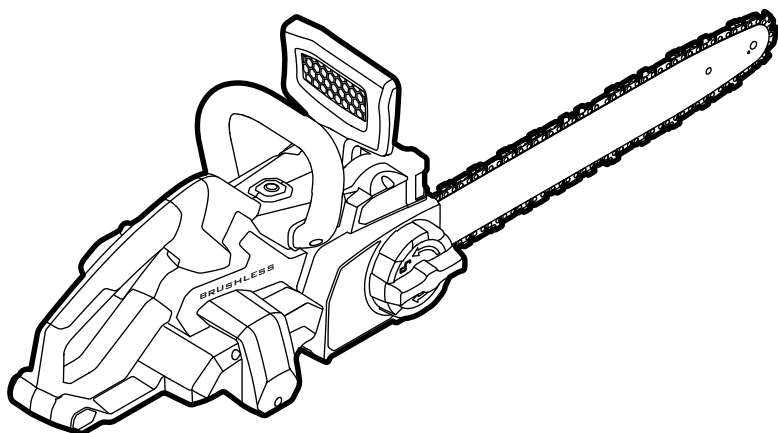


EGO™

POWER⁺ CHAIN SAW



**FILL OIL TANK WITH BAR AND
CHAIN OIL BEFORE FIRST USE**

OPERATOR'S MANUAL

56V LITHIUM-ION

CORDLESS 18" CHAIN SAW

Français p. 49

Español p. 101

MODEL NUMBER CS1800/CS1800-FC

⚠ WARNING: To reduce the risk of injury, the user must read and understand the Operator's Manual before using this product. Save these instructions for future reference.

TABLE OF CONTENTS

Safety Symbols	4
Safety Instructions.....	5-16
Glossary of terms	16-17
Introduction	17
Specifications	18
Packing List.....	18
Description	19-21
Assembly	22
Operation	23-35
Maintenance	36-44
Troubleshooting.....	45-46
Warranty	47-48

READ ALL INSTRUCTIONS!



READ & UNDERSTAND
INSTRUCTION MANUAL

⚠ WARNING: Some dust created by power sanding, sawing, grinding, drilling and other construction activities contains chemicals known to the state of California to cause cancer, birth defects or other reproductive harm. Some examples of these chemicals are:

- Lead from lead - based paints
- Crystalline silica from bricks and cement and other masonry products, and
- Arsenic and chromium from chemically - treated lumber.

Your risk from these exposures varies, depending on how often you do this type of work. To reduce your exposure to these chemical: work in a well ventilated area, and work with approved safety equipment, such as those dust masks that are specially designed to filter out microscopic particles.

SAFETY SYMBOLS

The purpose of safety symbols is to attract your attention to possible dangers. The safety symbols and the explanations with them deserve your careful attention and understanding. The symbol warnings do not, by themselves, eliminate any danger. The instructions and warnings they give are no substitutes for proper accident prevention measures.

⚠ WARNING: Be sure to read and understand all safety instructions in this Operator's Manual, including all safety alert symbols such as "**DANGER**," "**WARNING**," and "**CAUTION**" before using this tool. Failure to follow all instructions listed below may result in electric shock, fire, and/or serious personal injury.

SYMBOL MEANING








⚠ SAFETY ALERT SYMBOL: Indicates **DANGER**, **WARNING**, OR **CAUTION**. May be used in conjunction with other symbols or pictographs.



⚠ WARNING! The operation of any power tools can result in foreign objects being thrown into your eyes, which can result in severe eye damage. Before beginning power tool operation, always wear safety goggles or safety glasses with side shields and a full face shield when needed. We recommend a Wide Vision Safety Mask for use over eyeglasses or standard safety glasses with side shields. Always use eye protection which is marked to comply with ANSI Z87.1.

SAFETY INSTRUCTIONS

This page depicts and describes safety symbols that may appear on this product. Read, understand, and follow all instructions on the machine before attempting to assemble and operate it.

	Safety Alert	Indicates a potential personal injury hazard.
	Read & Understand Operator's Manual	To reduce the risk of injury, user must read and understand the operator's manual before using this product.
	Wear Eye Protection	Always wear safety goggles or safety glasses with side shields and a full face shield when operating this product.
	Wear Ear Protection	Chain saw noise may damage your hearing. Always wear sound barriers (ear plugs or ear muffs) to protect your hearing.
	Wear Head Protection	Wear an approved safety hard hat to protect your head.
	Wear Protective Gloves	Protect your hands with gloves when handling saw and saw chain. Heavy-duty, nonslip gloves improve your grip and protect your hands.
	Be aware of kickback	Contact of the guide bar tip with any object should be avoided.
	Guide bar tip kickback	Tip contact can cause the guide bar to move suddenly upward and backward, which can cause serious injury.

	Two handed hold	Always use two hands when operating the chain saw.
	Recycle Symbols	This product uses lithium-ion (Li-ion) batteries. Local, state, or federal laws may prohibit disposal of batteries in ordinary trash. Consult your local waste authority for information regarding available recycling and/or disposal options.
IPX4	Ingress Protection Degree	Protection from splashing water
	Direct Current	Type or a characteristic of current
V	Volt	Voltage
mm	Millimeter	Length or size
in.	Inch	Length or size
kg	Kilogram	Weight
lb	Pound	Weight
ml	Milliliter	Volume
fl.oz	Fluid Ounce	Volume
°C	Celsius Temperature	Temperature
°F	Fahrenheit Temperature	Temperature

GENERAL BATTERY-OPERATED POWER TOOL SAFETY WARNINGS

⚠ WARNING! Read all safety warnings, instructions, illustrations and specifications provided with this power tool. Failure to follow all instructions listed below may result in electric shock, fire and/or serious injury.

Save all warnings and instructions for future reference.

The term “power tool” in the warnings refers to your mains-operated (corded) power tool or battery-operated (cordless) power tool.

WORK AREA SAFETY

- **Keep work area clean and well lit.** Cluttered or dark areas invite accidents.
- **Do not operate power tools in explosive atmospheres, such as in the presence of flammable liquids, gases or dust.** Power tools create sparks which may ignite the dust or fumes.
- **Keep children and bystanders away while operating a power tool.** Distractions can cause you to lose control.

PERSONAL SAFETY

- **Stay alert, watch what you are doing and use common sense when operating a power tool. Do not use a power tool while you are tired or under the influence of drugs, alcohol or medication.** A moment of inattention while operating power tools may result in serious personal injury.
- **Always use personal protective equipment.** Personal protective equipment such as eye protection, dust mask, non-skid safety shoes, hard hat and/or hearing protection used for appropriate conditions will reduce personal injuries.
- **Prevent unintentional starting. Ensure the switch is in the off-position before connecting to the battery pack, picking up or carrying the tool.** Carrying power tools with your finger on the switch or energizing power tools that have the switch on invites accidents.
- **Remove any adjusting key or wrench before turning the power tool on.** A wrench or a key left attached to a moving part of the power tool may result in personal injury.
- **Do not overreach. Keep proper footing and balance at all times.** This enables better control of the power tool in unexpected situations.
- **Dress properly. Do not wear loose clothing or jewelry. Keep your hair and clothing away from moving parts.** Loose clothes, jewelry or long hair can be caught in moving parts.
- **If devices are provided for the connection of dust extraction and collection facilities, ensure these are connected and properly used.** Use of dust collection can reduce dust-related hazards.
- **Do not let familiarity gained from frequent use of tools allow you to become complacent and ignore tool safety principles.** A careless action can cause severe injury within a fraction of a second.

POWER TOOL USE AND CARE

- **Do not force the power tool. Use the correct power tool for your application.** The correct power tool will do the job better and safer at the rate for which it was designed.
- **Do not use the power tool if the switch does not turn it on and off.** Any power tool that cannot be controlled with the switch is dangerous and must be repaired.
- **Remove the battery pack, if detachable, from the power tool and/or activate any battery disabling device before clearing jammed material, making any adjustments, changing accessories, cleaning, or storing power tools.** Such preventive safety measures reduce the risk of starting the power tool accidentally.
- **Store idle power tools out of the reach of children and do not allow persons unfamiliar with the power tool or these instructions to operate the power tool.** Power tools are dangerous in the hands of untrained users.
- **Maintain power tools and accessories. Check for misalignment or binding of moving parts, breakage of parts and any other condition that may affect the power tool's operation. If damaged, have the power tool repaired before use.** Many accidents are caused by poorly maintained power tools and accessories.
- **Keep cutting tools sharp and clean.** Properly maintained cutting tools with sharp cutting edges are less likely to bind and are easier to control.
- **Use the power tool, accessories, tool bits, etc. in accordance with these instructions, taking into account the working conditions and the work to be performed.** Use of the power tool for operations different from those intended could result in a hazardous situation.
- **Keep handles and grasping surfaces dry, clean and free from oil and grease.** Slippery handles and grasping surfaces may lead to unsafe handling and/or loss of control of the tool.

BATTERY TOOL USE AND CARE

- **Recharge only with the charger specified by the manufacturer.** A charger that is suitable for one type of battery pack may create a risk of fire when used with another battery pack.

- **Use power tools only with specifically designated battery packs.** Use of any other battery packs may create a risk of injury and fire.
- **When battery pack is not in use, keep it away from other metal objects, like paper clips, coins, keys, nails, screws or other small metal objects, that can make a connection from one terminal to another.** Shorting the battery terminals together may cause burns or a fire.
- **Under abusive conditions, liquid may be ejected from the battery; avoid contact. If contact accidentally occurs, flush with water. If liquid contact eyes, additionally seek medical help.** Liquid ejected from the battery may cause irritation or burns.
- **Do not use a battery pack or tool that is damaged or modified.** Damaged or modified batteries may exhibit unpredictable behavior resulting in fire, explosion or risk of injury.
- **Do not expose a battery pack or tool to fire or excessive temperature.** Exposure to fire or temperature above 265 °F (130°C) may cause explosion.
- **Follow all charging instructions and do not charge the battery pack or tool outside the temperature range specified in the instructions.** Charging improperly or at temperatures outside the specified range may damage the battery and increase the risk of fire.

SERVICE

- **Have your power tool serviced by a qualified repair person using only identical replacement parts.** This will ensure that the safety of the power tool is maintained.
- **Never service damaged battery packs.** Service of battery packs should only be performed by the manufacturer or authorized service providers.

SAFETY INSTRUCTIONS FOR CHAIN SAW

- **Keep all parts of the body away from the saw chain when the chain saw is operating. Before you start the chain saw, make sure that the saw chain is not contacting anything.** A moment of inattention while operating chain saws may cause entanglement of your clothing or body with the chain.
- **Always hold the chain saw with your right hand on the rear handle and your left hand on the front handle.** Holding the chain saw with a reversed hand configuration increases the risk of personal injury and should never be done.

- **Hold the chain saw by insulated gripping surfaces only, because the saw chain may contact hidden wiring.** Saw chains contacting a “live” wire may make exposed metal parts of the chain saw “live” and could give the operator an electric shock.
- **Wear eye protection. Further protective equipment for hearing, head, hands, legs and feet is recommended.** Adequate protective equipment will reduce personal injury from flying debris or accidental contact with the saw chain.
- **Do not operate a chain saw in a tree, on a ladder, from a rooftop, or any unstable support.** Operation of a chain saw in this manner could result in serious personal injury.
- **Always keep proper footing and operate the chain saw only when standing on fixed, secure and level surface.** Slippery or unstable surfaces may cause a loss of balance or control of the chain saw.
- **When cutting a limb that is under tension be alert for spring back.** When the tension in the wood fibers is released the spring loaded limb may strike the operator and/or throw the chain saw out of control.
- **Use extreme caution when cutting brush and saplings.** The slender material may catch the saw chain and be whipped toward you or pull you off balance.
- **Carry the chain saw by the front handle with the chain saw switched off and away from your body. When transporting or storing the chain saw, always fit the guide bar cover.** Proper handling of the chain saw will reduce the likelihood of accidental contact with the moving saw chain.
- **Follow instructions for lubricating, chain tensioning and changing the bar and chain.** Improperly tensioned or lubricated chain may either break or increase the chance for kickback.
- **Cut wood only. Do not use chain saw for purposes not intended. For example: do not use chain saw for cutting metal, plastic, masonry or non-wood building materials.** Use of the chain saw for operations different than intended could result in a hazardous situation.
- **Do not attempt to fell a tree until you have an understanding of the risks and how to avoid them.** Serious injury could occur to the operator or bystanders while felling a tree.

CAUSES AND OPERATOR PREVENTION OF KICKBACK

Kickback may occur when the nose or tip of the guide bar touches an object, or when the wood closes in and pinches the saw chain in the cut.

Tip contact in some cases may cause a sudden reverse reaction, kicking the guide bar up and back towards the operator.

Pinching the saw chain along the top of the guide bar may push the guide bar rapidly back towards the operator.

Either of these reactions may cause you to lose control of the saw, which could result in serious personal injury. Do not rely exclusively upon the safety devices built into your saw. As a chain saw user, you should take several steps to keep your cutting jobs free from accident or injury.

Kickback is the result of chain saw misuse and/or incorrect operating procedures or conditions and can be avoided by taking proper precautions as given below:

- **Maintain a firm grip, with thumbs and fingers encircling the chain saw handles, with both hands on the saw and position your body and arm to allow you to resist kickback forces.** Kickback forces can be controlled by the operator, if proper precautions are taken. Do not let go of the chain saw.
- **Do not overreach and do not cut above shoulder height.** This helps prevent unintended tip contact and enables better control of the chain saw in unexpected situations.
- **Only use replacement guide bars and saw chains specified by the manufacturer.** Incorrect replacement guide bars and saw chains may cause chain breakage and/or kickback.
- **Follow the manufacturer's sharpening and maintenance instructions for the saw chain.** Decreasing the depth gauge height can lead to increased kickback.

KICKBACK SAFETY DEVICES ON THIS CHAIN SAW

Chain Brake

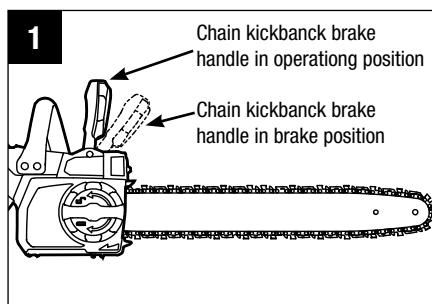
The chain saw comes equipped with a chain brake, which stops both the motor and the motion of the chain when kickback occurs. The chain brake can be activated by the forward motion of the chain-kickback brake handle as the saw rotates backward during kickback; it can also be activated by the inertial forces generated during rapid pushback.

⚠ WARNING: Never modify or attempt to disable the chain brake.

Make sure that the chain brake is working properly before using the chain saw. The chain-kickback brake handle should move back and forth easily.

To test the operation of the chain brake, perform the following steps (Fig. 1):

- Place the chain saw on a flat bare surface and make sure no objects or obstructions that could come in contact with the bar and chain are in the immediate vicinity.
- Disengage the chain brake by pulling the chain-kickback brake handle towards the front handle.
- Start the chain saw.
- Push the chain-kickback brake handle towards the front of the saw. A properly functioning hand brake will stop the movement of the chain immediately. If the chain brake is not working properly, do not use the chain saw until it has been repaired by a qualified service technician.



⚠ WARNING: Confirm that the chain brake works properly before each use.

⚠ WARNING: If the chain brake is clogged with wood chips, the function of the chain brake may deteriorate. Always keep the device clean.

Low Kickback Saw Chain

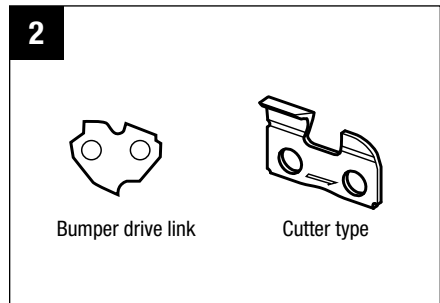
The ramp-shaped depth gauges ahead of each cutter can minimize the force of a kickback reaction by preventing the cutters from digging in too deeply at the kickback zone. Only use a replacement chain that is equivalent to the original chain or has been certified as a low kickback chain per ANSI B175.1. A low kickback tooth saw chain is a chain that has met the kickback performance requirements of ANSI B175.1 (American National Standard for Power Tools-Gasoline-Powered Chain Saws-Safety Requirements) when tested on the representative sample of chain saws below 3.8 c.i.d. specified in ANSI B175.1.

The bumper drive link (Fig. 2) also helps deliver low-kickback performance.

⚠ CAUTION: As saw chains are sharpened during their useful life, they lose some of the low kickback qualities and extra caution should be used.

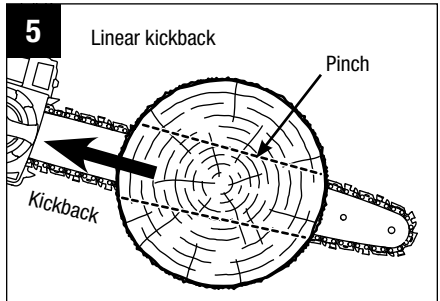
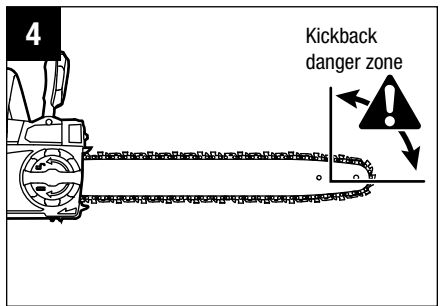
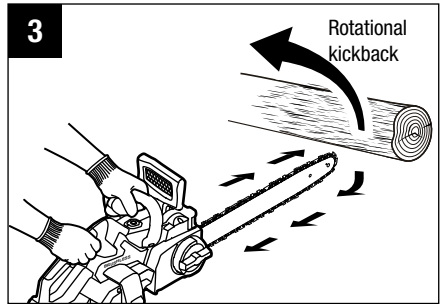
GUIDE BAR

This saw comes equipped with a guide bar that has a small radius nose. Small radius noses generally have less potential for kickback. When replacing the guide bar, be sure to order the bar listed in this manual.

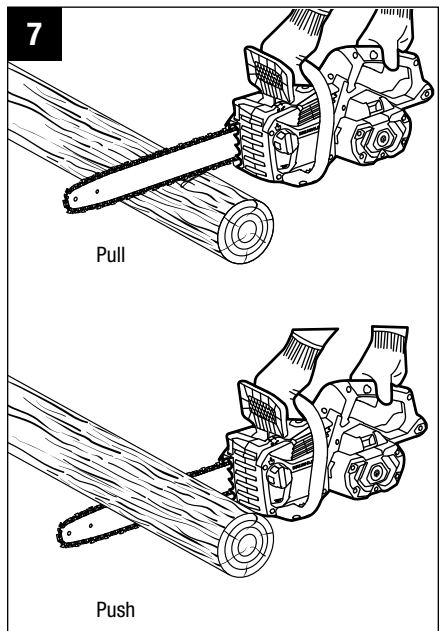
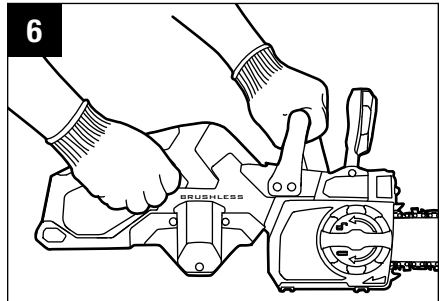


ADDITIONAL WARNINGS

- **With a basic understanding of kickback (Fig. 3-5), you can reduce or eliminate the element of surprise.** Sudden surprise contributes to accidents.
- **Make sure that the area in which you are cutting is free from obstructions.** Do not let the nose of the guide bar contact a log, branch, fence, or any other obstruction that could be hit while you are operating the saw.
- **Inspect the work piece for nails, wire, or other foreign objects prior to cutting.**
- **Plan the work, ensuring an obstacle-free work area and, in the case of felling, at least one escape path from the falling tree.**
- **When felling, keep bystanders at least two tree lengths away.**
- **Keep proper footing and balance at all times.**



- **A chain saw is intended for two handed use.** Serious injury to the operator, helpers, and/or bystanders can result from one-handed operation (Fig. 6).
- **Always cut with the unit running at full speed.** Fully squeeze the switch trigger and maintain cutting speed.
- **Push and Pull** – The reaction force is always opposite to the direction the chain is moving where wood contact is made. Thus, the operator must be ready to control the PULL when cutting on the bottom edge of the bar, and the PUSH when cutting along the top edge (Fig. 7).
- **Avoid unintentional contact with the stationary saw chain or guide bar rails.** These can be very sharp. Always wear gloves and long pants or chaps when handling the chain saw, saw chain, or guide bar.
- **Never operate a chain saw that is damaged or improperly adjusted or that is not completely and securely assembled.** Be sure that the saw chain stops moving when the trigger switch is released.
- **When bucking, secure the work piece prior to cutting. When felling or pruning, identify and secure hazardous branches.**
- **Aggressive or abusive cutting or misuse of the chain saw can cause premature bar, chain, and/or sprocket wear, as well as a broken chain or bar, leading to kickback, chain throw or the ejection of material.**



- **Never use the guide bar as a lever.** A bent guide bar can cause premature bar, chain, and/or sprocket wear, as well as a broken chain or bar, leading to kickback, chain throw or the ejection of material.
- **Cut only one work piece at a time.**
- **Use only with the battery packs and chargers listed below:**

BATTERY PACK	CHARGER
BA1120, BA1120-FC, BA1400, BA1400-FC, BA2240, BA2240-FC, BA2800, BA2800-FC, BA4200, BA4200-FC, BA1400T, BA1400T-FC, BA2800T, BA2800T-FC, BA4200T, BA4200T-FC	CH2100, CH2100-FC, CH5500, CH5500-FC

- **Do not charge the battery pack in rain or in wet locations.**
- **If situations occur which are not covered in this manual, use care and good judgment. Contact EGO Customer Service for assistance.**

SAVE THESE INSTRUCTIONS!

GLOSSARY OF TERMS

Automatic Oiler: A system that automatically lubricates the guide bar and saw chain.

Bucking: The process of cross-cutting a felled tree or log into lengths.

Bucking Spikes: The pointed tooth or teeth for use when felling or bucking to pivot the saw and maintain position while sawing.

Chain Brake: A device used to stop the saw chain immediately.

Chain Saw Power Head: A chain saw without the saw chain or guide bar.

Drive Sprocket: The toothed part that drives the saw chain.

Felling: The process of cutting down a tree.

Felling Back Cut: The final cut in a tree felling operation made on the opposite side of the tree from the notching undercut.

Kickback: The backward or upward motion, or both, of the guide bar, which occurs when the saw chain near the nose of the top area of the guide bar contacts any object, such as a log or branch, or when the wood closes in and pinches the saw chain in the cut.

Low-Kickback Chain: A chain that complies with the kickback performance requirements of ANSIB175.1 when tested on a representative sample of chain saws.

Normal Cutting Position: Those positions assumed in performing bucking and felling cuts.

Notching Undercut: A notch cut in a tree that directs the tree's fall.

Reduced Kickback Guide Bar: A guide bar that has been demonstrated to reduce kickback significantly.

INTRODUCTION

Congratulations on your selection of the new generation of 56V Lithium-ion powered chain saw. It has been designed, engineered and manufactured to give you the best possible dependability and performance.


Should you experience any problem you cannot easily remedy, please contact EGO customer service center 1-855-EGO-5656.

This manual contains important information on to the safe assembly, operation, and maintenance of your product. Read it carefully before using the product. Keep this manual handy so you can refer to it at any time.

SERIAL NUMBER _____ DATE OF PURCHASE _____

YOU SHOULD RECORD BOTH SERIAL NUMBER AND DATE OF PURCHASE AND KEEP IN A SAFE PLACE FOR FUTURE REFERENCE

SPECIFICATIONS

Voltage	56V 
Guide Bar Length	18" (450mm)
Chain Pitch	3/8" (9.5mm)
Chain Gauge	0.050" (1.3mm)
Chain Type	91PX062X
Guide Bar Type	180SDEA041
Chain Oil Tank capacity	7 fl.oz (200ml)
Operating Temperature	5°F-104°F (-15°C-40°C)
Storage Temperature	-4°F - 158° F (-20°C - 70°C)
Net Weight (Without battery pack, chain sheath)	9.7 lbs. (4.4 kg)

Recommended Bar and Chain for this Chain Saw

PART NAME	TYPE	MODEL NUMBER
Guide Bar	180SDEA041(Recommend)	AG1800(Recommend)
	164MLEA041(Compatible)	AG1600(Compatible)
	144MLEA041(Compatible)	AG1400(Compatible)
Saw Chain	91PX062X(Recommend)	AC1800(Recommend)
	90PX056X(Compatible)	AC1600(Compatible)
	90PX052X(Compatible)	AC1400(Compatible)

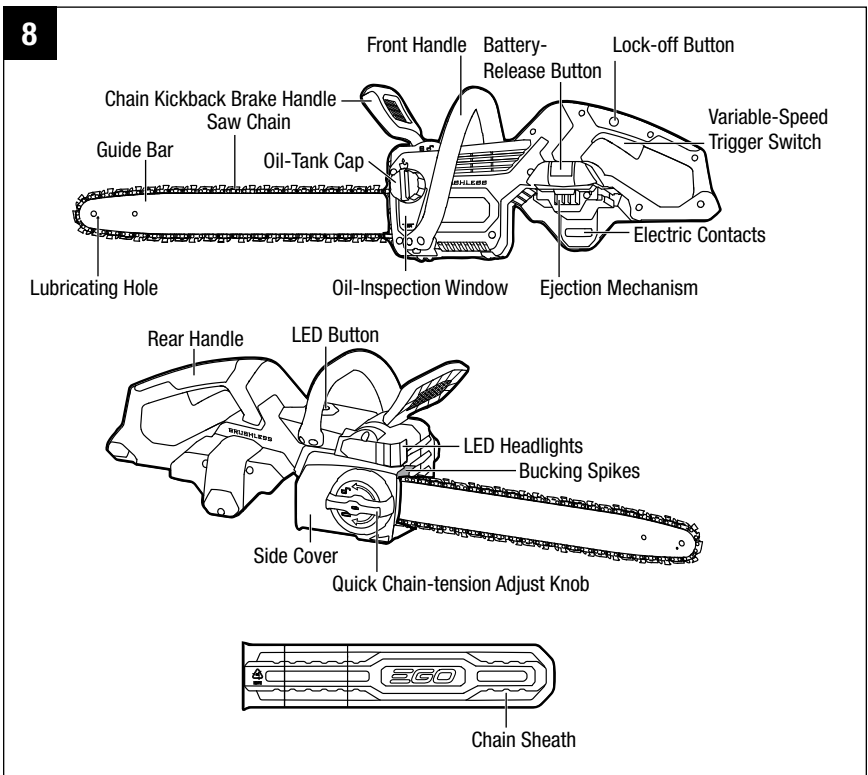
PACKING LIST

PART NAME	QUANTITY
Chain Saw	1
Chain Sheath	1
Operator's Manual	1

DESCRIPTION

KNOW YOUR CHAIN SAW (Fig. 8)

The safe use of this product requires an understanding of the information on the tool and in this operator's manual, as well as knowledge of the project you are attempting. Before using this product, familiarize yourself with all operating features and safety rules.



Chain-Kickback Brake Handle

Serves as the lever for chain brake activation. It also provides protection against projecting branches and helps prevent the left hand from touching the saw chain if it slips off the front handle.

Variable-Speed Trigger Switch

Turns the chain saw On and Off and adjusts the chain speed.

Lock-off Button

Helps to prevent accidental or unauthorized activating of the trigger switch. It must be depressed before the trigger switch can be activated.

Oil-Tank Cap

Seals the oil tank.

Oil-Inspection Window

Provides a view of the oil level in the oil tank.

Saw Chain

A loop of chain having cutting teeth that cut the wood when it is driven by the chain saw power head and supported by the guide bar.

Chain Sheath

The chain sheath keeps the operator from coming in contact with the sharp chain blades when the tool is not in use. It also helps keep the chain blades from being nicked or damaged when the tool is in transportation and storage.

Guide Bar

Supports and guides the saw chain.

Front Handle

The support handle for the left hand at the front of the chain saw.

Rear Handle

The support handle for the right hand, located at the rear of the chain saw. **Always hold the chain saw with your right hand on the rear handle and your left hand on the front handle.**

Quick Chain-tension Adjust Knob

Permits quick precise adjustment of chain tension without auxiliary device assistance.

Side Cover

Covers the drive sprocket and secures the guide bar.

Battery-Release Button

Press to release the battery pack from the tool.

Ejection Mechanism

Aids in removing the battery.

LED Headlights

The LED headlights are located in the front of the chain saw power head.

This feature provides extra light for increased visibility and it can be adjusted into 2 brightness.

LED Button

Switch ON or OFF of the LED headlights. Press once on the LED button and the headlights shine with Level 1 brightness. Press the LED button again, and the lights will shine more brightly: Level 2. The LED headlights will be turned off after pressing the button a third time.

Bucking Spikes

The pointed metal teeth for use when felling or bucking to pivot the chain saw and maintain position, preventing lumber sliding while sawing. It can improve the cutting efficiency.

ASSEMBLY

⚠ WARNING: If any parts are damaged or missing, do not operate this product until the parts are replaced. Use of this product with damaged or missing parts could result in serious personal injury.

⚠ WARNING: Do not attempt to modify this product or create accessories not recommended for use with this product. Any such alteration or modification is misuse and could result in a hazardous condition leading to possibly serious personal injury.

⚠ WARNING: To prevent accidental starting that could cause serious personal injury, always remove the battery pack from the product when assembling parts, making adjustments, cleaning, or when not in use.

UNPACKING

- This product has been shipped completely assembled.
- Carefully remove the product and any accessories from the box. Make sure that all items listed in the packing list are included.
- Inspect the product carefully to make sure that no breakage or damage occurred during shipping.
- Do not discard the packing material until you have carefully inspected and satisfactorily operated the product.
- If any parts are damaged or missing, please return the product to the place of purchase.

OPERATION

⚠ WARNING: Do not allow familiarity with this product to make you careless. Remember that a careless fraction of a second is sufficient to inflict serious injury.

⚠ WARNING: Always wear eye protection that is marked to comply with ANSI Z87.1. Failure to do so could result in objects being thrown into your eyes and other possible serious injuries.

⚠ WARNING: Do not use any attachments or accessories not recommended by the manufacturer of this product. The use of attachments or accessories not recommended can result in serious personal injury.

Before each use, inspect the entire product for damaged, missing, or loose parts such as screws, nuts, bolts, etc. Securely tighten all fasteners and caps and do not operate this product until all missing or damaged parts are replaced.

APPLICATIONS

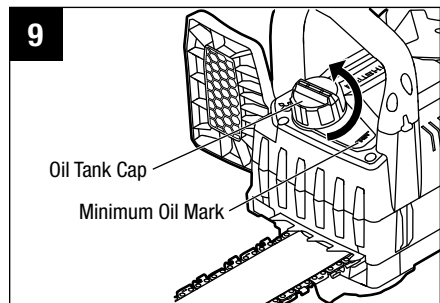
You may use this product for basic felling, limbing, pruning, and woodcutting of lumber and trees.

FILLING OILTANK WITH BAR AND CHAIN LUBRICANT

⚠ WARNING: To prevent accidental starting that could cause serious personal injury, always remove the battery pack from the tool before filling the tank with oil.

⚠ WARNING: Do not smoke or bring any fire or flame near the oil or the chain saw. Oil may spill and cause a fire.

NOTICE: The chain saw is not filled with oil at the time of purchase. It is essential to fill the tank with oil before use. Operating the chain saw without chain oil or when the oil level is below the minimum mark (Fig. 9) will result in damage to the chain saw. Chain life and cutting capacity depend on optimum lubrication. The chain is automatically lubricated with chain oil during operation.



1. Remove the battery pack from the chain saw.
2. Clean the oil-tank cap and the area around it to ensure that no dirt falls into the oil tank.
3. Position the chain saw on its side on a firm, flat surface, so that the oil-tank cap is facing upwards. Rotate the oil-tank cap counterclockwise to remove it (Fig. 9).
4. Carefully pour the bar and chain oil into the oil tank. Be careful not to let the oil spill from the opening. Fill to the bottom of the fill neck. Wipe off any excess oil.
5. Replace the cap, place the saw upright, and view the level through the oil-inspection window. Oil should fill the window.

NOTICE:

- Use OREGON® bar and chain oil for best results. It is specially designed to provide low friction and faster cuts.
- Never use oil or other lubricants not specifically designed for use on the bar and chain. This can lead to a clogged oil system, which may cause premature wear of the bar and chain.
- Check the oil level frequently and fill when the oil level falls below the minimum mark. Never operate the chain saw if the oil is not visible.
- Do not use dirty, used, or otherwise contaminated oil. Damage may occur to the bar or chain.
- It is normal for oil to seep from the saw when it is not in use. To prevent seepage, empty the oil tank after each use, and then run the saw for one minute. When storing the tool for a long period of time, be sure the chain is lightly lubricated; this will prevent rust on the chain and bar as well as the inside drive sprocket.
- To preserve natural resources, please recycle or dispose of oil properly. Consult your local waste authority for information regarding available recycling and disposal options.

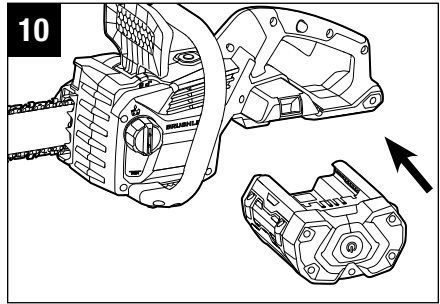
INSTALLING/REMOVING BATTERY PACK (Fig. 10 & 11)

NOTICE: Fully charge the battery pack before its first use.

To Install (Fig. 10)

1. Align the ribs of the battery pack with the mounting slots in the chain saw's battery port.
2. Slide the battery pack into the tool until it snaps into position.

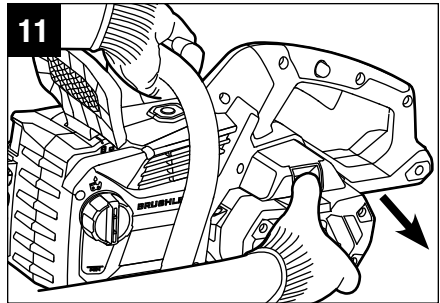
NOTICE: Make sure that the latch on the chain saw snaps into place and the battery pack is secured to the tool before beginning operation.



To Remove (Fig. 11)

⚠ WARNING: Always be aware of the location of your feet, children, or pets when pressing the battery-release button. Serious injury could result if the battery pack falls. **NEVER** remove the battery pack at a high location.

1. Hold the battery pack in the palm of your hand.
2. Press the battery-release button with your thumb; the battery pack will disengage from the latch.
3. Grasp the battery pack and remove it from the chain saw.



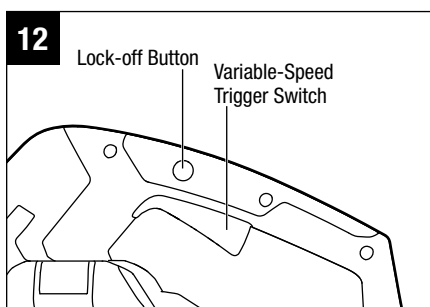
STARTING/STOPPING THE CHAIN SAW

Before Starting the Chain Saw:

1. Remove the battery pack for the steps itemized below.
2. Make sure that the chain is properly mounted and the quick chain-tension adjust knob is fully tightened, which ensures that the chain is correctly tensioned.
3. Check the side cover, to ensure that it is against the guide bar and saw chain without any looseness and damage.
4. Check the oil level and fill the tank as needed, ensuring that the chain is well lubricated.
5. Check the sharpness of the saw-chain cutting teeth.
6. Make sure that the chain-kickback brake handle can move back and forth easily between the brake position and the operating position.
7. Hold the chain saw with both hands: with the right hand on the rear handle and the left hand on the front handle.
8. Stand upright and hold the chain saw in a relaxed position and make sure that the saw chain is not touching the ground or any other objects.
9. Make sure that you have a secure and balanced footing. Watch out for obstacles such as tree stumps, roots and ditches, which could cause you to trip or stumble.

To Start (Fig. 12)

1. Install the battery pack.
2. Make sure no objects or obstructions that could come in contact with the bar and chain are in the immediate vicinity.
3. Pull the chain-kickback brake handle towards the front handle to the operating position (see Fig. 1).
4. Grasp the front and rear handles firmly, using both hands.



5. Press and hold the lock-off button with the thumb of your right hand, then squeeze the variable-speed trigger switch with the fingers of your right hand to start the saw. Chain speed will increase with increased pressure on the variable-speed trigger.
6. Release the lock-off button and continue to squeeze the variable-speed trigger switch for continued operation.

To Stop (Fig. 12)

1. Move the chain saw away from cutting area, and then release the variable-speed trigger switch to stop the chain saw.
2. Push the chain-kickback brake handle forward to the brake position to engage the chain brake (see Fig. 1).

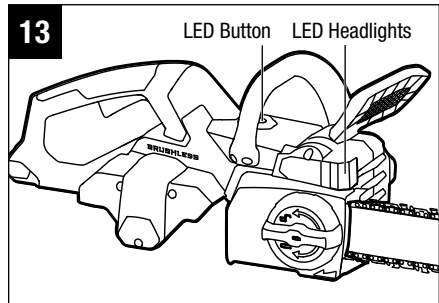
⚠ WARNING: Always remove the battery pack from the chain saw during work breaks and after finishing work.

LED HEADLIGHTS (Fig. 13)

The LED headlights are located in the front of the chain saw power head. This feature provides extra light for increased visibility and can be adjusted to 2 brightness levels.

To turn on the lights, press the LED button one time. The headlights provide bright light in front of the chain saw. Press the LED button a second time and the headlights shine more brightly.

To turn off the headlights, press the LED button a third time.



PREPARATION FOR CUTTING

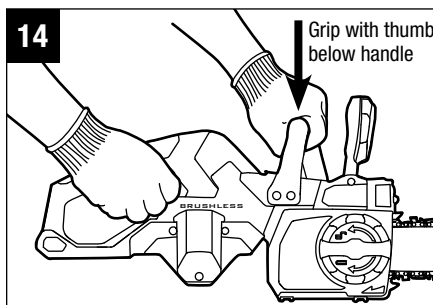
Refer to section “**SAFETY INSTRUCTIONS**” earlier in this manual for appropriate safety equipment.

Work Area Precautions

- Cut only wood or materials made from wood; do not cut sheet metal, plastics, masonry, or non-wood building materials.
- Never allow children to operate the chain saw.
- Allow no person to use this chain saw who has not read this Operator’s Manual or received adequate instructions for the safe and proper use of this chain saw.
- When felling a tree, keep everyone - helpers, bystanders, children, and animals - a safe distance away from the cutting area. During felling operations, the safe distance should be a least twice the height of the largest trees in the felling area. During bucking operations, keep a minimum distance of 15 feet (4.5 m) between workers. Trees should not be felled in a manner that would endanger any person, strike a utility line, or cause any property damage. If a tree does make contact with a utility line, stay clear of the tree and the line and notify the utility company immediately.
- Always cut with both feet on solid ground to prevent being pulled off balance.
- Do not cut above chest height, as a saw held higher is difficult to control against kickback forces.
- Do not fell trees near electrical wires or buildings.
- Cut only when visibility and light are adequate for you to see clearly.

Proper Grip On Handles

- Wear non-slip gloves for maximum grip and protection.
- With the saw on a firm, flat surface, hold the saw firmly with both hands.
- Always grasp the front handle with the left hand and the rear handle with the right hand.
- The fingers should encircle the handle, with the thumb wrapped under the front handle (Fig. 14).

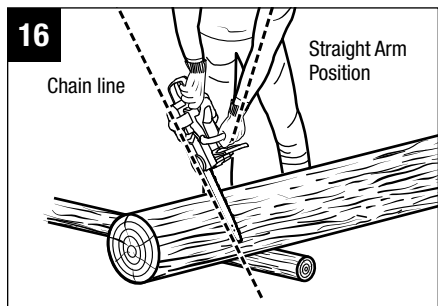
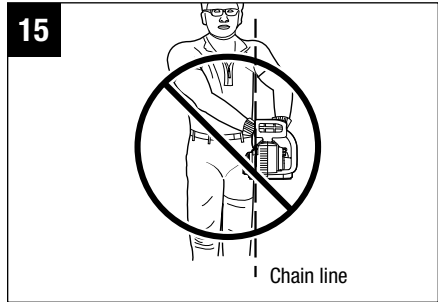


⚠ WARNING: Never use a left-handed (cross-handed) grip, or any stance which would place your body or arm across the chain line.

⚠ WARNING: Do not operate the trigger switch with your left hand and hold the front handle with your right hand. Never allow any part of your body to be in the chain line while operating a chain saw (Fig. 15).

Proper Cutting Stance (Fig. 16)

- Both feet should be on solid ground, with weight evenly spread between them.
- The left arm should be straight, with the elbow locked. This helps to withstand the forces generated by kickback.
- Your body should always be to the left of the chain line.



CUTTING

Basic Cutting

⚠ WARNING: Always be sure of your footing and hold the chain saw firmly with both hands while the motor is running.

Practice cutting a few small logs using the following technique to get the “feel” of using your saw before you begin a major sawing operation.

1. Take the proper stance in front of the wood with the saw off.
2. Press the lock-off button and squeeze the variable-speed trigger switch to start the chain saw. Let the chain reach the full selected speed before beginning the cut.
3. Begin cutting by lightly pressing the guide bar against the wood. Use only light pressure, letting the saw do the work.
4. Maintain a steady speed throughout the cut, releasing pressure just before the end of the cut.
5. Release the trigger switch as soon as the cut is completed, allowing the chain to stop.

⚠ WARNING: When the saw chain is stopped due to pinching during cutting, release the trigger switch; remove the saw chain and guide bar from the wood, then restart the chain saw.

⚠ WARNING: Do not pull the saw chain with your hand when it is bound by the sawdust. Serious injury could result if the chain saw starts accidentally. Press the saw chain against the wood, move the chain saw back and forth to discharge the debris. Always remove the battery pack before cleaning. Wear heavy protective gloves when handling the saw chain.

⚠ WARNING: Never start the chain saw when it is in contact with the wood. Always allow the chain saw reach full speed before applying the saw to the wood.

FELLING A TREE

Hazardous Conditions

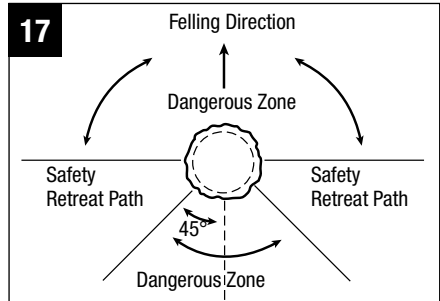
⚠ WARNING: When felling a tree, it is important that you heed the following warnings to prevent possibly serious injury.

- Do not fell trees during periods of high wind or heavy precipitation. Wait until the hazardous weather has ended.
- Do not fell trees that lean at extreme angles or large trees with rotten limbs, loose bark, or hollow trunks. Instead, have these trees pushed or dragged down with heavy equipment and then cut them up.
- Do not fell trees near electrical wires or buildings.
- Check the tree for damaged or dead branches that could fall and hit you during felling.
- Periodically glance at the top of the tree during the back cut to assure the tree is going to fall in the desired direction.
- If the tree starts to fall in the wrong direction, or if the saw gets caught or hung up during the fall, leave the saw and save yourself!

Preparation for Tree Felling

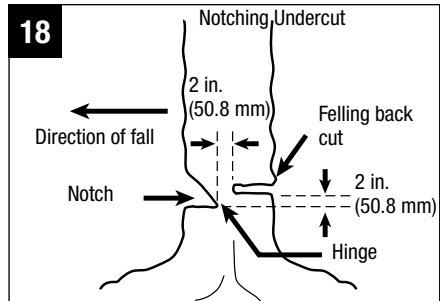
- When bucking and felling operations are being performed by two or more persons at the same time, the felling operation should be separated from the bucking operation by a distance of at least twice the height of the tree being felled. Trees should not be felled in a manner that would endanger any person, strike any utility line or cause any property damage. If a tree does make contact with a utility line, stay clear of the tree and the line and notify the utility company immediately.
- The chain saw operator should stand on the uphill side of the terrain, as the tree is likely to roll or slide downhill after it is felled.

- Before any cuts are started, pick your escape route (or routes, in case the intended route is blocked). Clear the immediate area around the tree and make sure that there are no obstructions in your planned paths of retreat. Clear a path of safe retreat approximately 135° from the planned line of fall. The retreat path should extend back and diagonally to the rear of the expected line of fall. See Fig. 17.
- Before felling is started, consider the natural lean of the tree, the location of larger branches and the wind direction to judge which way the tree will fall.
- Remove dirt, stones, loose bark, nails, staples, and wire from the tree where felling cuts are to be made.



Notching undercut

Make the notch 1/3 the diameter of the tree, perpendicular to the direction of fall, as illustrated in Fig. 18. Make the lower horizontal notching cut first. This will help to avoid pinching of either the saw chain or the guide bar when the second notch is being made.



Felling Back Cut

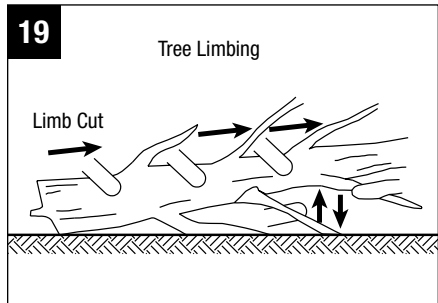
- Make the felling back cut at least 2 inches (50.8 mm) higher than the horizontal notching cut (see Fig. 18). Keep the felling back cut parallel to the horizontal notching cut. Make the felling back cut so that enough wood is left to act as a hinge. The hinge wood keeps the tree from twisting and falling in the wrong direction. Do not cut through the hinge.
- As the felling cut gets close to the hinge, the tree should begin to fall. If there is any chance that the tree may not fall in the desired direction or it may rock back and bind the saw chain, stop cutting before the felling back cut is complete and use wedges of wood, plastic or aluminum to open the cut and drop the tree along the desired line of fall.

- When the tree begins to fall, remove the chain saw from the cut, stop the motor, put the chain saw down, then use the retreat path planned. Be alert for overhead limbs falling and watch your footing.

LIMBING

Limbing is removing branches from a fallen tree. When limbing, leave larger limbs to support the log off the ground. Remove the small limbs in one cut as illustrated in Fig. 19. Branches under tension should be cut from the bottom up to avoid binding the chain saw.

⚠ WARNING: There is an extreme danger of kickback during the limbing operation. Be extremely cautious and avoid contacting the log or other limbs with the tip of the guide bar.



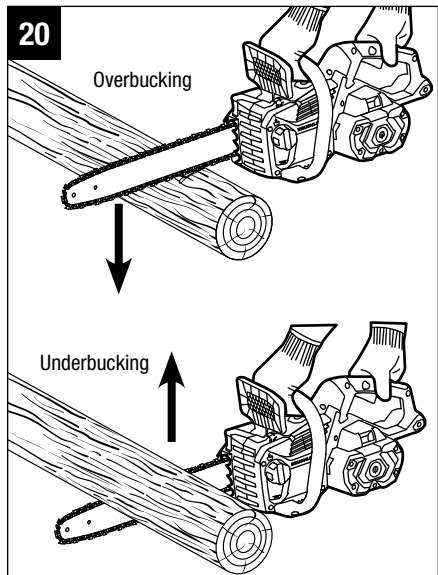
BUCKING A LOG (Fig. 20)

Bucking is cutting a log into lengths. It is important to make sure your footing is firm and your weight is evenly distributed on both feet. When possible, the log should be raised and supported by the use of limbs, logs, or chocks. Follow the simple directions for easy cutting.

⚠ WARNING: Keep a clear-cutting area. Make sure that no objects can contact the guide bar nose and chain during cutting; this can cause kickback.

Overbucking

Begin on the top side of the log with the bottom of the saw against the log; exert light pressure downward. Note that the saw will tend to pull away from you.

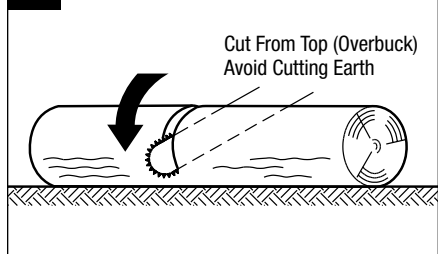


Underbuckling

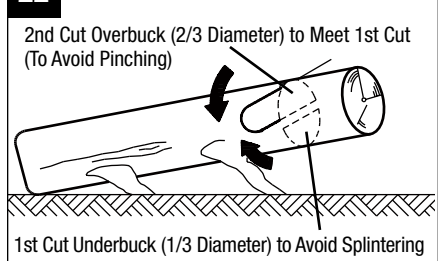
Begin on the underside of the log with the top of the saw against the log; exert light pressure upward. During underbuckling, the saw will tend to push back at you. Be prepared for this reaction and hold the saw firmly to maintain control.

- When the log is supported along its entire length, it should be cut from the top (overbucking) (Fig. 21).
- When the log is supported on only one end, cut 1/3 the diameter from the underside (underbuckling). Then make the finishing cut by overbucking to meet the first cut (Fig. 22).
- When the log is supported on both ends, cut 1/3 of that diameter from the top overbuck. Then make the finished cut by underbucking the lower 2/3 to meet the first cut (Fig. 23).

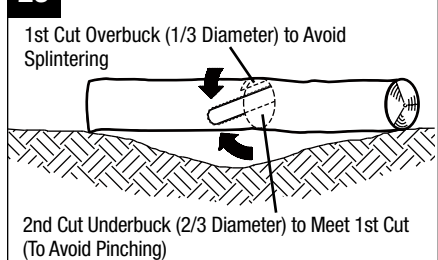
21 Log Supported Along the Entire Length



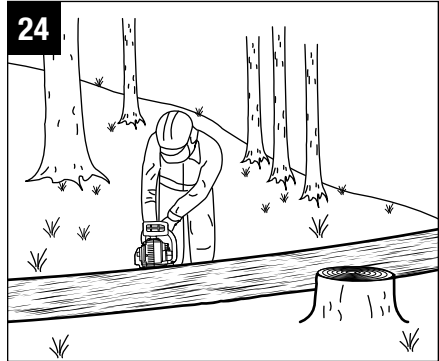
22 Log Supported One End



23 Log Supported Both Ends



- When bucking on a slope, always stand on the uphill side of the log (Fig. 24).
- To maintain complete control when cutting through, release the cutting pressure near the end of the cut without relaxing the grip on the chain saw handles. Don't allow the chain to contact the ground. After completing the cut, wait for the saw chain to stop before you move the chain saw. Always stop the motor before moving from tree to tree.



MAINTENANCE

⚠ WARNING: To avoid serious personal injury, remove the battery pack from the chain saw before inspecting, cleaning, or performing maintenance. A battery-operated tool with the battery pack inserted is always on and can start accidentally.

⚠ WARNING: When servicing, use only identical replacement parts. Use of any other parts may create a hazard or cause product damage.

⚠ WARNING: Always wear heavy gloves when doing any maintenance on the saw chain. Be careful of the saw chain and protect your hands from being injured by the saw chain.

⚠ WARNING: When cleaning the chain saw, DO NOT immerse it in water or other liquids.

⚠ WARNING: Do not at any time let brake fluids, gasoline, petroleum-based products, penetrating oils, etc., come in contact with plastic parts. Chemicals can damage, weaken, or destroy plastic, which may result in serious personal injury.

All chain saw service, other than the items listed in this manual, should be performed by a qualified service technician.

CLEANING

- After each use, clean debris from the chain and guide bar with a soft brush. Wipe the chain saw surface with a clean cloth moistened with a mild soap solution.
- For deep clearing, remove the side cover, take down the guide bar and saw chain and then use a soft brush to thoroughly remove debris from the guide bar, saw chain, and the drive sprocket on the chain saw power head.
- Always clean out wood chips, saw dust, and dirt from the guide bar groove when replacing the saw chain.

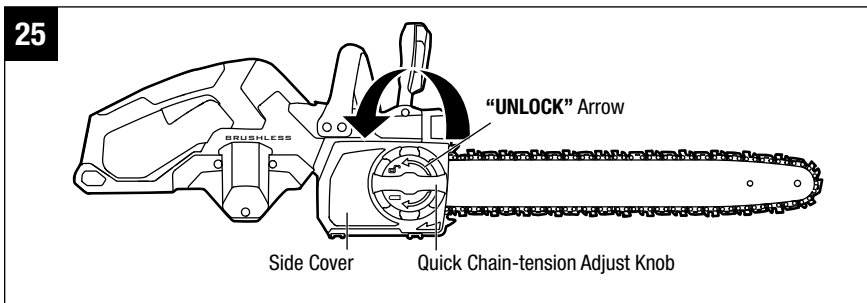
REPLACING THE BAR AND CHAIN

⚠ WARNING: Never touch or adjust the chain while the motor is running. The saw chain is very sharp; always wear protective gloves when performing maintenance to the chain.

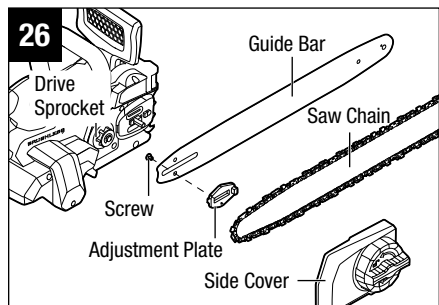
NOTICE: When replacing the guide bar and chain, always use the specified bar and chain combination listed in the later section **“Recommended Bar and Chain for this Chain Saw”**.

Disassembling the Worn Bar and Chain

1. Remove the battery, allow the chain saw to cool, and tighten the oil-tank cap.
2. Position the chain saw on its side on a firm, flat surface, so that the side cover is facing upwards (Fig. 25).
3. Wear gloves. Remove the side cover by turning the quick chain-tension adjust knob counterclockwise as indicated by the **“UNLOCK”** arrow, marked on the surface (Fig. 25). Thoroughly clean the side cover with a dry cloth.



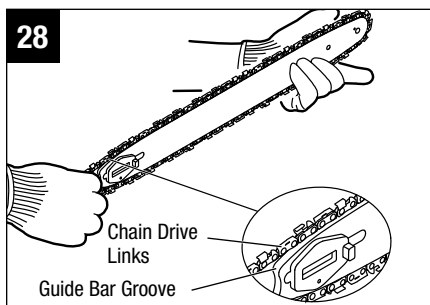
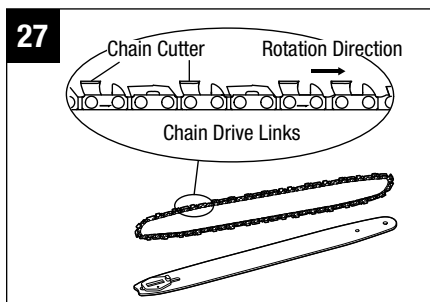
4. Carefully remove the bar and chain from the chain saw power head.
5. Remove the worn chain from the bar.
6. There is an adjustment plate connected on the guide bar by a screw. If the guide bar needs to be replaced, disassemble the adjustment plate from the guide bar and reassemble it onto the new guide bar as Fig. 26 shown.



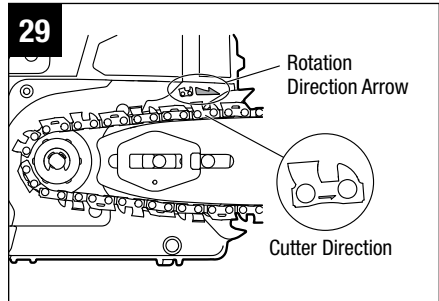
NOTICE: This is a good time to inspect the drive sprocket for excessive wear or damage.

Assembling the New Bar and Chain

1. Lay the new saw chain in a loop on a flat surface and straighten any kinks (Fig. 27).
2. Place the chain drive links into the guide bar groove. Position the chain so there is a loop at the back of the guide bar (Fig. 28).
3. Hold the chain in position on the guide bar and place the loop around the drive sprocket of the power head.

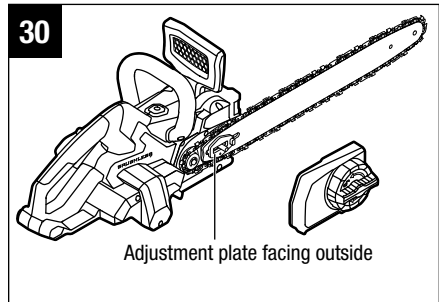


NOTICE: Small direction arrows are engraved in the saw chain and the power head housing (Fig. 29). When looping the saw chain onto the guide bar, make sure that, after mounting the guide bar onto the power head, the direction of the arrows on the saw chain will correspond to the rotation direction arrow on the power head housing. If they face in opposite directions, reassemble the saw chain onto the guide bar with the arrows facing the same direction. The guide bar should be mounted with the adjustment plate facing away from the housing.



4. Replace the side cover onto the power head by fully tightening the quick chain-tension adjust knob clockwise. The eccentric gear inside the side cover is designed to ensure that the chain will not be over-tensioned (Fig. 30).

5. Adjust the chain-kickback brake handle in the operating position, and then rotate the chain by hand to check whether the chain is properly assembled without binding. Otherwise, reassemble the chain and bar.



CHAIN MAINTENANCE

Use only low-kickback chains on this saw. This fast cutting chain will provide kickback reduction when properly maintained.

A properly sharpened saw chain cuts through wood effortlessly, even with very little pressure. Never use a dull or damaged saw chain. A dull saw chain cutter leads to increased physical strain, increased vibration load, unsatisfactory cutting results, and increased wear.

For smooth and fast cutting, the chain needs to be maintained properly. The chain requires sharpening when the wood chips are small and powdery, the chain must be forced through the wood during cutting, or the chain cuts to one side. During maintenance of your chain, consider the following:

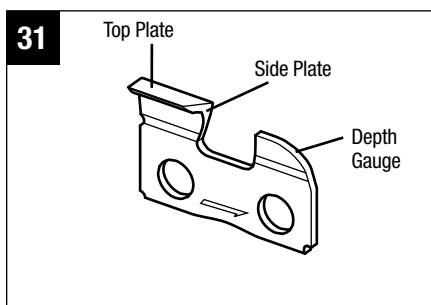
- Improper filing angle of the side plate can increase the risk of a severe kickback.
- Depth gauge clearance. Too low increases the potential for kickback. Not low enough decreases cutting ability.
- If cutter teeth have hit hard objects, such as nails and stones, or have been abraded by mud or sand on the wood, have the chain sharpened by a qualified service technician.

NOTICE: Inspect the drive sprocket for wear or damage when replacing the chain. If signs of wear or damage are present in the areas indicated, have the drive sprocket replaced by qualified service technician.

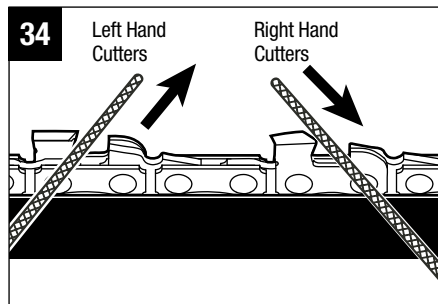
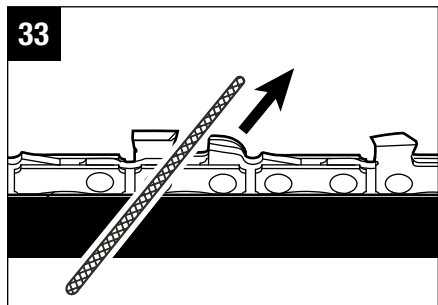
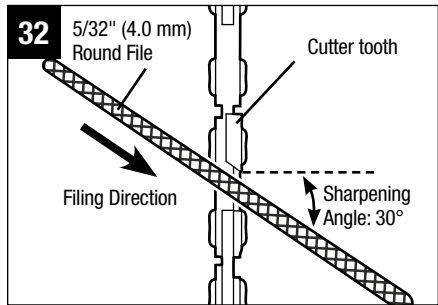
How to Sharpen the Cutters

Be careful to file all cutters (Fig. 31) to the specified angles and to the same length, as fast cutting can be obtained only when all cutters are uniform.

1. Remove the battery pack. Wear gloves for protection.
2. Make sure that the chain is properly mounted and the quick chain-tension adjust knob is fully tightened, which ensures that the chain is correctly tensioned.
3. Use a 5/32" (4.0 mm) diameter round file and holder (available separately). Do all of your filing at the middle position of the guide bar for perfect balance.
4. Keep the file level with the top plate of the tooth. Do not let the file dip or rock.



5. Keep a correct sharpening angle of 30° between the file and the saw chain; see Fig. 32 & 33. Always use a file holder (available separately) when sharpening saw chains by hand. File holders have markings for the sharpening angle.
6. Using light but firm pressure, stroke towards the front corner of the tooth. Lift the file away from the steel on each return stroke.
7. Make a few firm strokes on every tooth. File all left-hand cutters in one direction. Then move to the other side and file the right-hand cutters in the opposite direction. Occasionally remove filings from the file with a wire brush (Fig. 34).



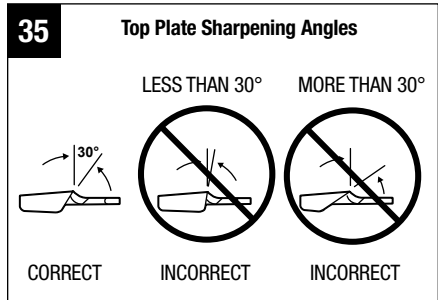
⚠ WARNING: A dull or improperly sharpened chain can cause excessive motor speed during cutting, which may result in severe motor damage.

⚠ WARNING: Improper chain sharpening increases the potential of kickback.

⚠ WARNING: Failure to replace or repair a damaged chain can cause serious injury.

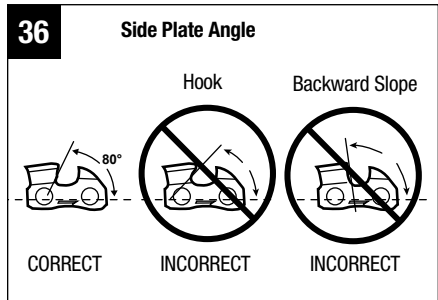
Top Plate Sharpening Angles (Fig. 35)

- CORRECT 30°**- This optimal angle can be obtained only when the specified files and proper setting are used. File holders are marked with guide marks to align the file properly to produce the correct top plate angle.
- LESS THAN 30°**- The tooth is too dull for cutting.
- MORE THAN 30°**- The edge of the cutting tooth is feathered and dulls quickly.



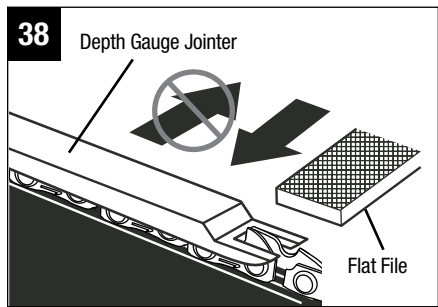
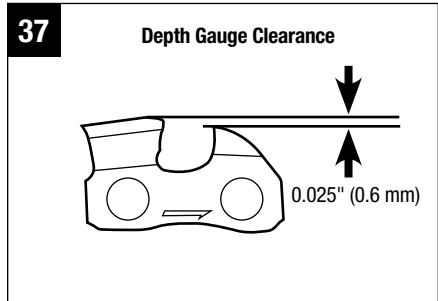
Side Plate Sharpening Angle (Fig. 36)

- CORRECT 80°**- The optimal angle can be produced automatically if the correct diameter file is used in the file holder.
- HOOK**- “Grabs” and dulls quickly. Increases potential of KICKBACK. Results from using a file with a diameter that is too small, or a file held too low.
- BACKWARD SLOPE**- Needs too much feed pressure, causes excessive wear to bar and chain. Results from using a file with a diameter too large, or a file held too high.



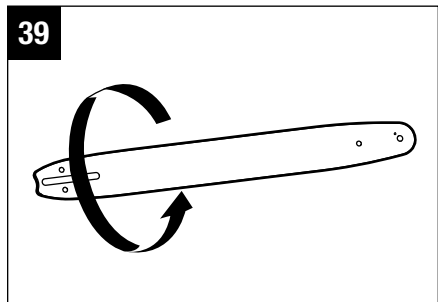
Depth-Gauge Clearance

1. The depth gauge should be maintained at a clearance of 0.025 in. (0.6 mm), as shown in Fig. 37. Use a depth-gauge tool (available separately) to check the depth-gauge clearances.
2. Check the depth-gauge clearance every time the chain is filed. Use a flat file and a depth-gauge jointer (both available separately) to lower all gauges uniformly (Fig. 38). Depth-gauge jointers are available from 0.020 in. to 0.035 in. (0.5 mm to 0.9 mm). Use a 0.025 in. (0.6 mm) depth-gauge jointer.
3. Depth-gauges must be adjusted with the flat file in the same direction the adjoining cutter was filed with the round file. Use care not to contact the cutter face with the flat file when adjusting depth-gauges.



GUIDE BAR MAINTENANCE

When the guide bar shows signs of wear, disassemble it from the chain saw power head and reverse it for reassembly (Fig. 39), in which case it will distribute the wear for maximum bar life.



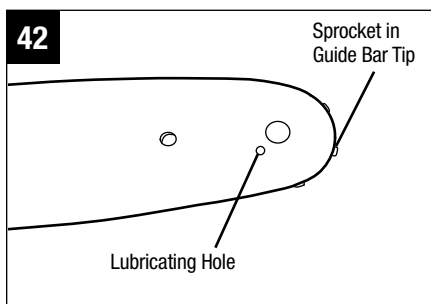
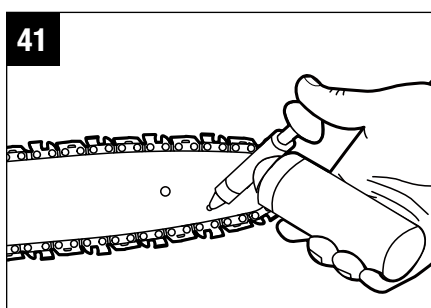
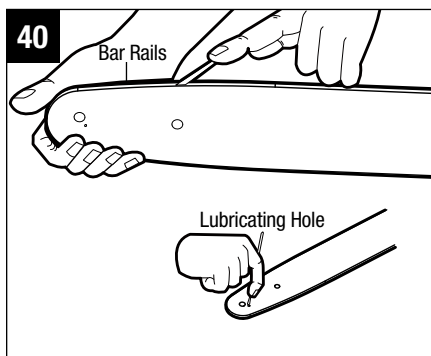
The bar should be cleaned (including bar rails and lubricating hole) every day of use and checked for wear and damage (Fig. 40). Feathering or burring of the bar rails is a normal process of bar wear. Such faults should be smoothed with a file as soon as they occur. A bar with any of the following faults should be replaced. See the section "REPLACING THE BAR AND CHAIN" in this manual.

- Wear inside the bar rails which permits the chain to lay over sideways.
- Bent guide bar.
- Cracked or broken rails.
- Spread rails.

The guide bar has a sprocket at its tip. The sprocket must be lubricated weekly with a grease syringe to extend the guide bar life (Fig. 41 & 42). Turn the nose sprocket while pumping grease into the lubricating hole until the entire sprocket has new grease. Do not push dirt into the hole.

TRANSPORTING AND STORING

- Do not store or transport the chain saw when it is running. Always remove the battery pack before storing or transporting.
- Always place the guide bar sheath on the guide bar and chain before storing or transporting the chain saw. Use caution to avoid the sharp teeth of the chain.
- Clean the chain saw thoroughly before storing. Store the chain saw indoors, in a dry place that is locked and/or inaccessible to children.
- Keep away from corrosive agents such as garden chemicals and de-icing salts.



TROUBLESHOOTING

PROBLEM	CAUSE	SOLUTION
Motor does not start.	<ul style="list-style-type: none"> ■ The battery pack is not attached to the chain saw. ■ No electrical contact between the saw and battery. ■ The battery pack is depleted. ■ The battery pack or chain saw is too hot. ■ Chain brake is engaged. ■ Debris in bar groove. ■ Debris in side cover. 	<ul style="list-style-type: none"> ■ Attach the battery pack to the chain saw. ■ Remove battery, check contacts and reinstall the battery pack. ■ Charge the battery pack. ■ Allow the battery pack or chain saw to cool until the temperature drops below 152°F (67°C). ■ Pull the chain-kickback brake handle backward toward the front handle, arriving at the operating position. ■ Press the saw chain against the wood, move the chain saw back and forth to discharge the debris. ■ Remove battery pack, then remove side cover and clean out debris.
Chain saw stops running during working.	<ul style="list-style-type: none"> ■ The chain saw is overloaded. ■ The battery pack or chain saw is too hot. ■ Saw chain is bound in the wood. 	<ul style="list-style-type: none"> ■ Decrease the load. ■ Allow the battery pack or chain saw to cool until the temperature drops below 152°F (67°C). ■ Release the trigger switch; remove the saw chain and guide bar from the wood, then restart the chain saw.
Motor runs, but chain does not rotate.	<ul style="list-style-type: none"> ■ Chain does not engage drive sprocket. 	<ul style="list-style-type: none"> ■ Reinstall the chain, following the section “REPLACING THE BAR AND CHAIN”, ensuring that the drive links on the chain are fully seated onto the sprocket.

PROBLEM	CAUSE	SOLUTION
Chain brake does not engage.	<ul style="list-style-type: none"> ■ Debris preventing full movement of the chain-kickback brake handle. ■ Possible chain brake malfunction. 	<ul style="list-style-type: none"> ■ Clean debris from external chain brake mechanism. ■ Contact EGO Customer Service for repair.
Chain saw does not cut properly.	<ul style="list-style-type: none"> ■ Insufficient chain tension. ■ Dull chain. ■ Chain installed backwards. ■ Worn chain. ■ Dry or excessively stretched chain. 	<ul style="list-style-type: none"> ■ Loosen the quick chain-tension adjust knob at least twice circles counterclockwise first and then fully tighten it clockwise until the chain is correctly tensioned. ■ Sharpen the chain cutters, following the section “HOW TO SHARPEN THE CUTTERS”. ■ Reinstall the saw chain, following the section “REPLACING THE BAR AND CHAIN”. ■ Replace the saw chain, following the section “REPLACING THE BAR AND CHAIN”. ■ Check the oil level in the oil tank. Refill the oil tank if necessary.
Chain drops off the guide bar.	<ul style="list-style-type: none"> ■ Insufficient chain tension. ■ Chain does not engage drive sprocket. 	<ul style="list-style-type: none"> ■ Loosen the quick chain-tension adjust knob at least twice circles counterclockwise first and then fully tighten it clockwise until the chain is correctly tensioned. ■ Reinstall the chain, following the section “REPLACING THE BAR AND CHAIN”, ensuring that the drive links on the chain are fully seated onto the sprocket.
Bar and chain running hot and smoking.	<ul style="list-style-type: none"> ■ Chain oil tank is empty. ■ Debris in guide bar groove. 	<ul style="list-style-type: none"> ■ Filling bar and chain lubricant. ■ Clear the debris in the groove.

WARRANTY

EGO WARRANTY POLICY

5-year limited warranty on EGO POWER+ outdoor power equipment and portable power for personal, household use.

3-year limited warranty on EGO POWER+ System battery packs and chargers for personal, household use.

2 year/1year limited warranty on EGO outdoor power equipment, portable power, battery packs, and chargers for professional and commercial use.

The detailed warranty periods by products can be found online at <http://egopowerplus.com/pages/warranty-policy>.

Please contact EGO Customer Service Toll-Free at 1-855-EGO-5656 any time you have questions or warranty claims.

LIMITED SERVICE WARRANTY

EGO products are warranted against defects in material or workmanship from the date of original retail purchase for the applicable warranty period. Defective product will receive free repair.

- a) This warranty applies only to the original purchaser from an authorized EGO retailer and may not be transferred. Authorized EGO retailers are identified online at <http://egopowerplus.com/pages/warranty-policy>.
- b) The warranty period for reconditioned or factory certified products used for residential purpose is 1 year, for industrial, professional or commercial purpose is 90 days.
- c) The warranty period for routine maintenance parts, such as, but not limited to, blades, trimmer heads, chain bars, saw chains, belts, scraper bars, blower nozzles, and all other EGO accessories is 90 days for residential purpose, 30 days for industrial, professional or commercial purpose. These parts are covered for 90/30 days from manufacture defects in normal working conditions.
- d) This warranty is void if the product has been used for rental purpose.
- e) This warranty does not cover the damage resulting from modification, alteration or unauthorized repair.



- f) This warranty only covers defects arising under normal usage and does not cover any malfunction, failure or defect resulting from misuse, abuse (including overloading of the product beyond capacity and immersion in water or other liquid), accidents, neglect or lack of proper installation, and improper maintenance or storage.
- g) This warranty does not cover normal deterioration of the exterior finish, including but not limited to scratches, dents, paint chips, or to any corrosion or discoloring by heat, abrasive and chemical cleaners.

HOW TO OBTAIN SERVICE

For warranty service, please contact EGO customer service toll-free at **1-855-EGO-5656**. When requesting warranty service, you must present the original dated sales receipt. An authorized service center will be selected to repair the product according to the stated warranty terms. When bringing your product to the authorized service center, there may be a small deposit that will be required when dropping off your tool. This deposit is refundable when the repair service is deemed to be covered under warranty.

ADDITIONAL LIMITATIONS

To the extent permitted by applicable law, all implied warranties, including warranties of MERCHANTABILITY or FITNESS FOR A PARTICULAR PURPOSE, are disclaimed. Any implied warranties, including warranties of merchantability or fitness for a particular purpose, that cannot be disclaimed under state law are limited to the applicable warranty period defined at the beginning of this article.

Chervon North America is not responsible for direct, indirect, incidental or consequential damages.

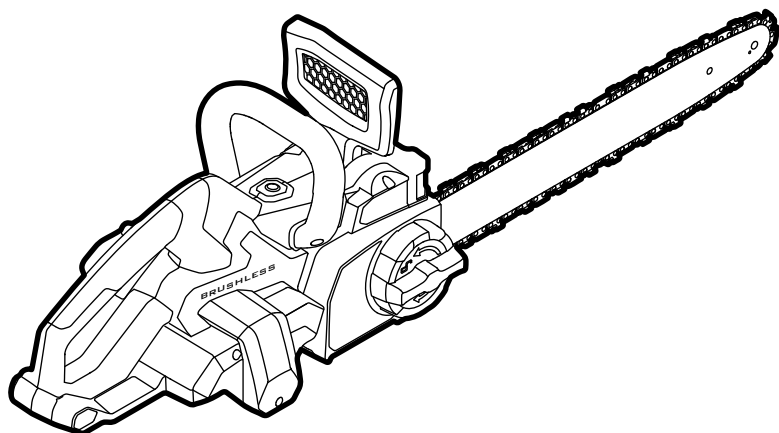
Some states do not allow limitations on how long an implied warranty lasts and/or do not allow the exclusion or limitation of incidental or consequential damages, so the above limitations may not apply to you.

This warranty gives you specific legal rights, and you may also have other rights which vary from state to state.

For customer service contact us toll-free at: **1-855-EGO-5656** or **EGOPOWERPLUS.COM**. EGO Customer Service, 769 SEWARD AVE NW / Suite 102 Grand Rapids, MI 49504

EGO™

POWER⁺ CHAIN SAW



REMPLEZ LE RÉSERVOIR D'HUILE
AVEC DU LUBRIFIANT À CHAÎNE ET À
GUIDE CHAÎNE AVANT LA PREMIÈRE
UTILISATION



GUIDE D'UTILISATION

SCIE À CHAÎNE SANS FIL DE 45 CM À BLOC-PILE AU LITHIUM-ION DE 56 VOLTS

NUMÉRO DE MODÈLE CS1800/CS1800-FC

⚠ AVERTISSEMENT : Afin de réduire les risques de blessure, l'utilisateur doit lire et comprendre le guide d'utilisation avant d'utiliser ce produit. Conservez le présent guide afin de pouvoir le consulter ultérieurement.

TABLE DES MATIÈRES

Symboles de sécurité	52
Consignes de sécurité	53-65
Lexique	65-66
Introduction	66
Caractéristiques techniques	67
Liste des pièces contenues dans l'emballage	68
Description	69-71
Assemblage	72
Fonctionnement	73-85
Entretien	86-95
Dépannage	96-98
Garantie	99-100

VEUILLEZ LIRE TOUTES LES INSTRUCTIONS!



VOUS DEVEZ LIRE ET COMPRENDRE
TOUTES LES INSTRUCTIONS DU GUIDE.

⚠ AVERTISSEMENT : Certaines poussières produites par l'utilisation d'outils de coupe électriques contiennent des produits chimiques reconnus par l'État de Californie comme causes de cancers, d'anomalies congénitales et de problèmes du système reproducteur. Voici des exemples de ces produits chimiques :

- le plomb contenu dans la peinture au plomb;
- la silice cristallisée contenue dans les briques, le ciment et d'autres produits de maçonnerie; et
- l'arsenic et le chrome contenus dans le bois d'œuvre traité avec des produits chimiques.

Les risques liés à l'exposition à ces produits varient en fonction de la fréquence à laquelle vous effectuez ce type de travaux. Pour réduire votre exposition à ces produits chimiques, travaillez dans une zone bien ventilée et portez l'équipement de sécurité approuvé, comme les masques antipoussières conçus pour ne pas laisser passer les particules microscopiques.

SYMBOLES DE SÉCURITÉ

L'objectif des symboles de sécurité est d'attirer votre attention sur les dangers potentiels. Vous devez examiner attentivement et bien comprendre les symboles de sécurité et les explications qui les accompagnent. Les symboles d'avertissement en tant que tels n'éliminent pas le danger. Les consignes et les avertissements qui y sont associés ne remplacent en aucun cas les mesures préventives adéquates.

⚠ AVERTISSEMENT : Avant d'utiliser l'outil, assurez-vous de lire et de comprendre toutes les consignes de sécurité présentées dans ce guide d'utilisation, notamment toutes les consignes de sécurité indiquées par « **DANGER** », « **AVERTISSEMENT** » et « **MISE EN GARDE** ». Le fait de ne pas respecter toutes les consignes de sécurité ci-dessous peut causer un choc électrique, un incendie ou des blessures graves.

SIGNIFICATION DES SYMBOLES

⚠ SYMBOLE D'ALERTE DE SÉCURITÉ : indique un **DANGER**, un **AVERTISSEMENT** ou une **MISE EN GARDE**. Il peut être associé à d'autres symboles ou pictogrammes.



⚠ AVERTISSEMENT! L'utilisation de tout outil électrique peut entraîner la projection de corps étrangers dans les yeux et ainsi causer des lésions oculaires graves. Avant d'utiliser un outil électrique, veillez à toujours porter des lunettes de sécurité couvrantes ou à écrans latéraux, ou un masque complet au besoin. Nous recommandons le port d'un masque de sécurité panoramique par-dessus les lunettes de vue ou de lunettes de sécurité standard avec écrans latéraux. Portez toujours un équipement de protection oculaire conforme à la norme ANSI Z87.1.

CONSIGNES DE SÉCURITÉ

Cette page illustre et décrit les symboles de sécurité qui peuvent être présents sur ce produit. Vous devez lire, comprendre et suivre toutes les instructions présentes sur l'appareil avant d'entamer son assemblage ou sa manipulation.

	Alerte de sécurité	Indique un risque de blessure.
	Lisez le guide d'utilisation	Afin de réduire les risques de blessure, l'utilisateur doit lire le guide d'utilisation.
	Portez protection pour les yeux	Lorsque vous utilisez l'article, portez toujours des lunettes de sécurité couvrantes ou à écrans latéraux, ou un masque complet.
	Portez protection pour les oreilles	Le bruit de la scie à chaîne peut endommager votre ouïe. Portez toujours des protecteurs auriculaires (bouchons ou protège-oreilles) pour protéger votre ouïe.
	Portez protection pour la tête	Portez un casque de sécurité approuvé pour protéger votre tête.
	Portez gants de protection	Portez des gants pour protéger vos mains lorsque vous manipulez une scie ou sa chaîne. Des gants renforcés antidérapants assurent votre prise et protègent vos mains.
	Faites attention au rebond	Évitez tout contact entre le bout du guide-chaîne et un autre objet.
	Rebond du bout du guide-chaîne	Un contact avec le bout du guide-chaîne peut le faire rebondir soudainement vers le haut et l'arrière, ce qui pourrait entraîner des blessures graves.

	Prise à deux mains	Lorsque vous utilisez une scie à chaîne, tenez-la toujours avec les deux mains.
	Symbole de recyclage	Ce produit fonctionne à l'aide d'un bloc-pile au lithium-ion (Li-ion). La législation locale, provinciale ou fédérale peut interdire la mise au rebut des blocs-piles dans une poubelle ordinaire. Consultez l'organisme local de gestion des déchets au sujet des possibilités offertes en ce qui concerne la mise au rebut ou le recyclage.
IPX4	Niveau de protection d'indice	Protection contre les projections d'eau
	Courant continu	Type de courant ou caractéristique de courant
V	Volt	Voltage
mm	Millimètre	Longueur ou taille
in.	Pouce	Longueur ou taille
kg	Kilogramme	Poids
lb	Livre	Poids
ml	Millilitre	Volume
fl.oz	Once liquide	Volume
°C	Celsius Température	Température
°F	Fahrenheit Température	Température

ADVERTENCIAS DE SEGURIDAD GENERAL EN EL MANEJO DE HERRAMIENTAS ELÉCTRICAS QUE FUNCIONAN CON BATERÍAS

⚠ AVERTISSEMENT! Lisez tous les avertissements, instructions, illustrations et spécifications fournis avec cet outil électrique. Le non-respect des consignes de sécurité ci-dessous peut occasionner un choc électrique, un incendie ou des blessures graves.

Conservez tous les avertissements et toutes les instructions afin de pouvoir les consulter ultérieurement.

Le terme « outil électrique » dans les avertissements désigne votre outil électrique (avec cordon) alimenté par le secteur ou votre outil électrique (sans fil) alimenté par un bloc-pile.

SÉCURITÉ DE L'AIRE DE TRAVAIL

- **Maintenez l'aire de travail propre et bien éclairée.** Les aires de travail sombres et encombrées sont propices aux accidents.
- **N'utilisez pas d'outils électriques dans un milieu explosif, par exemple où il y a présence de liquides, de vapeurs ou de poussières inflammables.** Les outils électriques produisent des étincelles susceptibles d'enflammer ces poussières ou ces vapeurs.
- **Gardez les enfants et les autres personnes à l'écart lorsque vous utilisez un outil électrique.** Une distraction peut vous faire perdre la maîtrise de l'outil.

SÉCURITÉ PERSONNELLE

- **Soyez vigilant, prêtez attention à ce que vous faites et usez de votre jugement lorsque vous utilisez un outil électrique. N'utilisez pas un outil électrique lorsque vous êtes fatigué ou sous l'effet de drogues, d'alcool ou de médicaments.** Un moment d'inattention pendant que vous utilisez des outils électriques peut occasionner des blessures graves.
- **Utilisez toujours un équipement de protection individuelle.** Le port d'équipement de protection individuelle, comme des lunettes de sécurité, un masque antipoussières, des chaussures de sécurité antidérapantes, un casque de protection ou des protecteurs auditifs, lorsque les conditions l'exigent, réduit les risques de blessures.
- **Prenez des mesures afin d'éviter que l'outil se mette en marche accidentellement. Assurez-vous que l'interrupteur est sur la position d'arrêt avant de brancher l'outil sur un bloc-piles, de le ramasser ou de le transporter.** Transporter les outils électriques avec le doigt sur l'interrupteur ou brancher les outils lorsque l'interrupteur est en position de marche augmente les risques d'accident.
- **Retirez toutes les clés de réglage de l'outil électrique avant de le mettre en marche.** Une clé de réglage oubliée sur une pièce mobile de l'outil électrique peut entraîner des blessures.

- **Ne vous étirez pas pour étendre votre portée. Gardez une posture sécuritaire et un bon équilibre en tout temps.** Cela permet de mieux contrôler l'outil électrique dans des situations inattendues.
- **Habillez-vous convenablement. Ne portez pas de vêtements amples ni de bijoux. Gardez vos cheveux et vos vêtements loin des pièces mobiles.** Les vêtements amples, les bijoux et les cheveux longs risquent de se prendre dans les pièces en mouvement.
- **Si un dispositif permet de raccorder un dépoussiéreur, assurez-vous que celui-ci est branché et utilisé de manière appropriée.** L'emploi d'un dépoussiéreur contribue à réduire les dangers liés à la poussière.
- **Même si vous connaissez parfaitement ces outils parce que vous les utilisez souvent, soyez vigilant et respectez les principes de sécurité.** Il suffit d'être négligent une fraction de seconde pour se blesser gravement.

UTILISATION ET ENTRETIEN DE L'OUTIL ÉLECTRIQUE

- **Ne forcez pas l'outil électrique. Utilisez l'outil électrique approprié à la tâche que vous souhaitez accomplir.** L'utilisation de l'outil électrique approprié permet d'obtenir de meilleurs résultats, de façon plus sécuritaire, selon le régime de fonctionnement prévu.
- **N'utilisez pas l'outil électrique si l'interrupteur ne fonctionne pas.** Tout outil électrique qui ne peut être commandé au moyen de l'interrupteur est dangereux et doit être réparé.
- **Retirez, si possible, le bloc-piles de l'outil électrique ou actionnez tout dispositif de désactivation du bloc-piles avant de dégager un objet coincé, d'effectuer des réglages, de changer d'accessoires ou de nettoyer ou de ranger les outils électriques.** Ces mesures de sécurité préventives réduisent les risques de mise en marche accidentelle de l'outil électrique.
- **Rangez l'outil électrique à l'arrêt hors de la portée des enfants et n'autorisez pas une personne ne sachant pas s'en servir ou n'ayant pas lu ces instructions à l'utiliser.** Les outils électriques sont dangereux s'ils se retrouvent entre les mains d'utilisateurs qui ne savent pas s'en servir.
- **Entretenez les outils électriques et les accessoires. Vérifiez les pièces mobiles pour vous assurer qu'elles ne sont pas désalignées, enrayées, brisées, ou dans un état qui pourrait nuire à leur fonctionnement. Si l'outil électrique est endommagé, faites-le réparer avant de l'utiliser.** De nombreux accidents sont provoqués par des outils électriques et des accessoires mal entretenus.

- **Gardez vos outils tranchants affûtés et propres.** Des outils tranchants bien entretenus et dont les lames sont affûtées risquent moins de se bloquer et sont plus faciles à maîtriser.
- **Utilisez l'outil électrique, les accessoires, les embouts ou autres conformément aux instructions, en tenant compte des conditions de travail et du travail à effectuer.** L'utilisation de l'outil électrique à des fins autres que celles auxquelles il est destiné pourrait entraîner une situation dangereuse.
- **Les poignées et autres surfaces de préhension doivent toujours être sèches, propres et exemptes d'huile ou de graisse.** Les poignées et autres surfaces de préhension glissantes peuvent entraîner une manipulation non sécuritaire ou une perte de contrôle de l'outil.

UTILISATION ET ENTRETIEN DU BLOC-PILE

- **Rechargez uniquement le bloc-piles à l'aide du chargeur approuvé par le fabricant.** Un chargeur conçu pour un type de bloc-piles peut causer un incendie s'il est utilisé avec un autre bloc-piles.
- **Utilisez les outils électriques uniquement avec les blocs-piles désignés.** L'utilisation de tout autre bloc-piles peut constituer un risque de blessure et d'incendie.
- **Lorsque vous n'utilisez pas le bloc-piles, conservez-le à l'écart d'autres objets métalliques, comme des trombones, des pièces de monnaie, des clés, des clous, des vis et d'autres petits objets métalliques qui peuvent connecter une borne à une autre.** Un court-circuit entre les bornes du bloc-piles peut occasionner des brûlures ou un incendie.
- **Dans de mauvaises conditions, un liquide peut être éjecté du bloc-piles; évitez tout contact avec celui-ci. En cas de contact accidentel, rincez à grande eau. Si vos yeux entrent en contact avec ce liquide, consultez un médecin.** Le liquide provenant des piles peut causer de l'irritation ou des brûlures.
- **N'utilisez pas un bloc-piles ou un outil endommagé ou modifié.** Les blocs-piles modifiés ou endommagés peuvent fonctionner de façon imprévisible et présenter un risque d'incendie, d'explosion ou de blessures.
- **N'exposez pas un bloc-piles ou un outil à un feu ou à une température excessive.** L'exposition au feu ou à une température supérieure à 130 °C (265 °F) peut provoquer une explosion.

- **Suivez toutes les instructions pour le chargement et ne chargez pas le bloc-piles ou l'outil en dehors de la plage de température précisée dans les instructions.** Une recharge inadéquate ou effectuée à des températures en dehors de la plage précisée peut endommager le bloc-piles et augmenter le risque d'incendie.

ENTRETIEN

- **Demandez à un technicien qualifié qui utilise seulement des pièces de rechange identiques aux pièces d'origine d'effectuer l'entretien de votre outil électrique.** Vous vous assurez ainsi que l'outil électrique demeure sécuritaire.
- **Ne réparez jamais un bloc-piles endommagé.** Seuls le fabricant et les fournisseurs de services autorisés peuvent effectuer la réparation d'un bloc-piles.

AVERTISSEMENTS DE SÉCURITÉ SCIE À CHAÎNE

- **Gardez toutes les parties de votre corps éloignées de la chaîne de la scie au moment de l'utilisation. Avant de démarrer la scie à chaîne, assurez-vous qu'elle n'entre pas en contact avec quoi que ce soit.** Un moment d'inattention suffit pour que la chaîne de la scie s'accroche à vos vêtements ou heurte votre corps
- **Tenez toujours la scie à chaîne avec la main droite sur la poignée arrière et la main gauche sur la poignée avant.** N'inversez jamais la position des mains en utilisant la scie, car cela augmente les risques de blessures.
- **Tenez l'outil électrique uniquement par les poignées protégées, car la chaîne de la scie pourrait entrer en contact avec un câblage caché.** Si la chaîne entre en contact avec un câble alimenté pendant que l'appareil est en marche, cela risque d'exposer les pièces métalliques de l'outil électrique et d'occasionner un choc électrique à l'utilisateur
- **Portez des lunettes de sécurité et des protections auditives. Des protections pour la tête, les mains, les jambes et les pieds sont aussi recommandées.** Des vêtements de protection adéquats réduisent les risques de blessures provoquées par la projection de débris ou par un contact accidentel avec la chaîne de la scie.
- **N'utilisez pas de scie à chaîne si vous êtes dans un arbre.** L'utilisation d'une scie à chaîne lorsque vous êtes dans un arbre peut occasionner des blessures graves.

- **Maintenez toujours des appuis fermes et n'utilisez la scie à chaîne que lorsque vous vous tenez sur une surface sécuritaire et de niveau.** Des surfaces glissantes ou instables, comme une échelle, peuvent occasionner une perte d'équilibre ou une perte de contrôle de la scie à chaîne.
- **Lorsque vous coupez une branche soumise à une tension, prenez garde à sa détente.** Quand la tension des fibres de bois se relâche, la branche peut venir vous frapper ou vous faire perdre le contrôle de la scie à chaîne.
- **Faites très attention lorsque vous coupez du sous-bois ou de jeunes arbres.** Leur matériau souple pourrait coincer dans la chaîne de la scie et être envoyé dans votre direction ou encore tirer et vous faire perdre l'équilibre.
- **Pour transporter la scie à chaîne, éteignez-la et tenez-la éloignée de votre corps par la poignée avant. Installez toujours la gaine de la chaîne avant de transporter ou de ranger la scie.** Une manipulation appropriée de lascie réduit les risques de contacts accidentels avec la chaîne en mouvement.
- **Suivez les instructions pour le graissage, le tensionnage de la chaîne et le changement d'accessoires.** Une mauvaise tension ou une mauvaise lubrification peut entraîner le bris de la chaîne ou augmenter le risque de rebond.
- **Ne coupez que du bois. N'utilisez pas la scie à chaîne pour des tâches autres que celles pour lesquelles elle a été conçue. Par exemple, ne l'utilisez pas pour couper du métal, du plastique, des matériaux de maçonnerie ni des matériaux de construction non faits de bois.** L'utilisation d'une scie à chaîne pour des tâches pour lesquelles elle n'a pas été conçue pourrait créer une situation dangereuse.
- **Ne tentez pas d'abattre un arbre avant d'avoir compris les risques qui y sont associés et la façon de les éviter.** L'abattage d'un arbre pourrait causer des blessures graves à l'utilisateur ou aux gens à proximité.

CAUSES AND OPERATOR PREVENTION OF KICKBACK

Objet ou que le bois se referme et coince la chaîne de la scie dans la coupe.

Dans certains cas, un contact avec le bout du guide-chaîne peut causer une réaction inverse soudaine qui fait rebondir le guide-chaîne et l'envoi vers l'utilisateur.

Si la chaîne de la scie se coince dans la partie supérieure du guide-chaîne, celui-ci peut être envoyé rapidement vers l'utilisateur.

L'une ou l'autre de ces réactions peut causer une perte de contrôle de la scie à chaîne et occasionner des blessures graves. Ne comptez pas exclusivement sur les dispositifs de sécurité intégrés à votre scie. En tant qu'utilisateur de tronçonneuse, vous devez prendre plusieurs mesures pour éviter tout accident ou blessure aux travaux de coupe.

En tant qu'utilisateur de la scie à chaîne, vous devez prendre les mesures qui s'imposent pour que vos coupes s'effectuent sans accidents ni blessures.

- **Ayez une prise ferme, tenez la scie à chaîne à deux mains en encerclant ses poignées avec vos pouces et vos doigts et positionnez votre corps de façon à résister à la pression des rebonds.** Il est possible de contrôler la force des rebonds en prenant les précautions appropriées. Ne lâchez pas la scie à chaîne.
- **Ne tendez pas vos bras trop loin, et n'effectuez pas de coupe au-dessus de la hauteur de vos épaules.** Ces mesures permettent d'empêcher tout contact involontaire avec le bout de l'outil et de mieux contrôler la scie à chaîne quand surviennent des situations inattendues.
- **N'utilisez que les chaînes et les guides-chaîne de remplacement indiqués par le fabricant.** L'utilisation des mauvais guides-chaînes ou des mauvaises chaînes de remplacement peut occasionner des bris ou des rebonds.
- **Suivez les instructions du fabricant pour l'affûtage et l'entretien de la chaîne de la scie.** Réduire la hauteur du guide de profondeur peut augmenter les risques de rebond.

DISPOSITIFS DE SÉCURITÉ CONTRE LES REBONDS DE LA SCIE À CHAÎN

Frein de chaîne

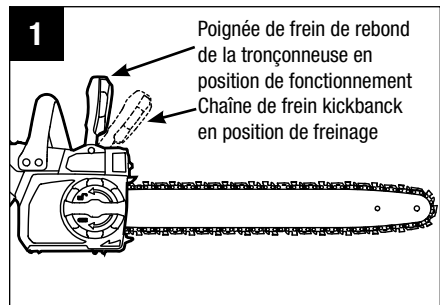
La scie comprend un frein de chaîne qui arrête le moteur et le mouvement de la chaîne quand se produit un rebond. Le frein de chaîne peut être activé par le mouvement vers l'avant de la poignée de frein à rebond de la chaîne, mouvement occasionné par la rotation inverse de la scie au moment du rebond; le frein de chaîne peut également être activé par les forces d'inertie générées par le mouvement de recul rapide.

⚠ AVERTISSEMENT : Ne tentez jamais de modifier le frein de chaîne ni de le mettre hors d'état de fonctionner.

Avant d'utiliser la scie à chaîne, assurez-vous que le frein de chaîne fonctionne correctement. La poignée du frein à rebond de la chaîne devrait se déplacer sans difficulté.

Pour vérifier si le frein de la chaîne fonctionne, effectuez les étapes suivantes (Fig. 1):

- Déposez la scie à chaîne sur une surface plane et dégagée, et assurez-vous qu'aucun objet ou obstacle à proximité ne peut toucher au guide-chaîne ou à la chaîne.
- Desserrez le frein de chaîne en tirant la poignée du frein à rebond de la chaîne vers la poignée avant.
- Faites démarrer la scie à chaîne.
- Poussez la poignée du frein à rebond de la chaîne vers l'avant de la scie. Un frein fonctionnel arrêtera immédiatement le mouvement de la chaîne. Si le frein de chaîne ne fonctionne pas correctement, n'utilisez pas la scie à chaîne avant de l'avoir fait réparer par un technicien qualifié.



⚠ AVERTISSEMENT : Confirmez que le frein de chaîne fonctionne correctement avant chaque utilisation.

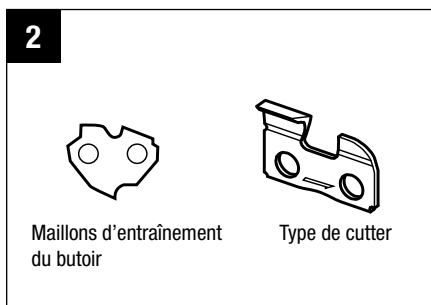
⚠ AVERTISSEMENT : Les copeaux de bois peuvent entraver le frein de chaîne et nuire à son fonctionnement. Maintenez toujours la propreté de l'appareil.

Chaîne de scie à faible rebond

Les guides (ou limiteurs) de profondeur situés devant chaque gouge peuvent réduire au minimum la force d'un rebond en empêchant les gougues de creuser trop profondément à l'endroit où survient ce rebond. N'utilisez qu'une chaîne de rechange équivalente à la chaîne d'origine ou homologuée chaîne à faible rebond selon la norme ANSI B175.1. Une chaîne de scie à faible rebond est une chaîne qui satisfait aux exigences en matière de rebonds de la norme ANSI B175.1 (la norme de l'American National Standard relative aux outils électriques – Exigences de sécurité des scies à chaîne à essence) lors d'essais sur l'échantillon représentatif de scies à chaîne décrit dans la norme ANSI B175.1, sous 3.8 c.i.d.

Les maillons d'entraînement du butoir (Fig. 2) aident également à offrir un rendement à faible rebond.

⚠ MISE EN GARDE: Au fur et à mesure qu'elles sont affûtées au cours de leur vie utile, les chaînes de scie perdent une partie de leurs propriétés anti-rebond et doivent être utilisées avec davantage de précautions.

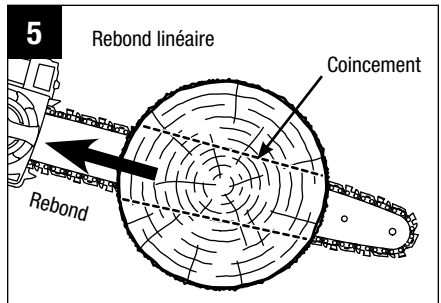
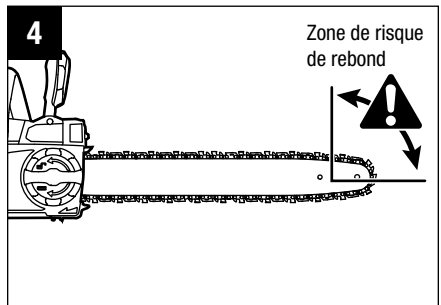
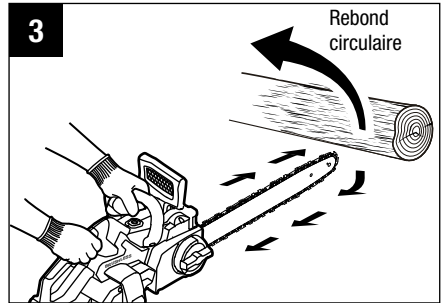


GUIDE-CHAÎNE

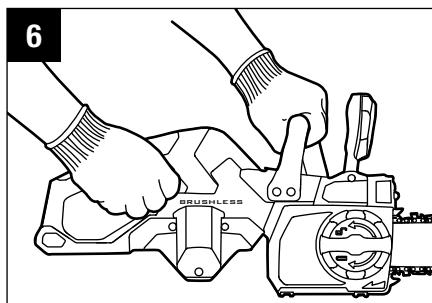
La présente scie est équipée d'un guide-chaîne avec un bout de faible rayon. Les bouts de faible rayon ont moins tendance à rebondir. Lors du remplacement du guide-chaîne, assurez-vous de vous procurer le guide-chaîne indiqué dans le présent manuel.

AVERTISSEMENTS SUPPLÉMENTAIRES

- **Une compréhension élémentaire des rebonds (Fig. 3 à 5) vous permettra de réduire ou d'éliminer l'élément de surprise.** La surprise contribue aux accidents.
- **Assurez-vous que la zone dans laquelle vous faites la coupe est dépourvue d'obstacles.** Assurez-vous que le bout du guide-chaîne ne rencontre ni grume, ni branche, ni clôture, ni tout autre obstacle pendant que vous manipulez la scie à chaîne.
- **Inspectez la pièce à travailler avant la coupe pour repérer tout clou, câble ou autre corps étranger.**
- **Planifiez vos travaux : assurez-vous d'avoir une aire de travail dépourvue d'obstacles et, si vous abattez un arbre, prévoyez au moins une voie de retraite pour échapper à la chute de l'arbre.**
- **Lorsque vous abattez un arbre, maintenez toute personne à une distance d'au moins deux fois la longueur de l'arbre.**
- **Gardez une posture sécuritaire et un bon équilibre en tout temps.**

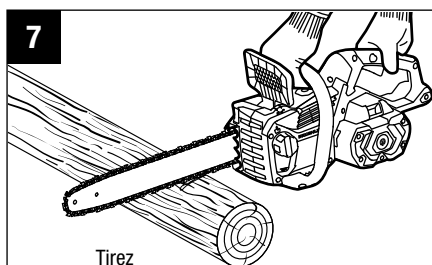


- **Une scie à chaîne doit être utilisée à deux mains.** Manipuler la scie avec une seule main pourrait occasionner des blessures graves à l'utilisateur et aux personnes se trouvant à proximité (Fig. 6).

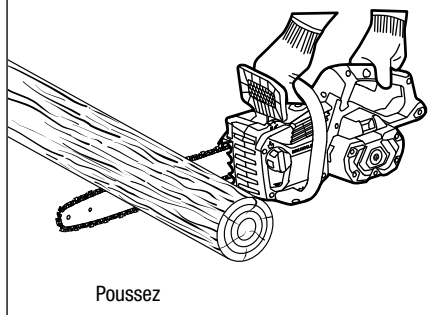


- **L'outil doit toujours tourner à pleine vitesse lors des coupes.** Enfoncez complètement la gâchette et conservez la vitesse de coupe.

- **Poussée et traction** – la force d'un rebond va toujours dans la direction opposée à celle de la chaîne à l'endroit où le contact avec le bois a lieu. Cela veut dire que vous devez être prêt à contrôler la TRACTION lorsque vous coupez à l'aide du bas du guide-chaîne et que vous devez résister à la POUSSÉE lorsque vous coupez avec le haut du guide-chaîne (Fig. 7).



- **Évitez tout contact involontaire avec la chaîne de la scie immobile ou la rainure du guide-chaîne.** Elles peuvent être très coupantes. Portez toujours des gants et des pantalons ou des jambières de protection pour manipuler la scie à chaîne, la chaîne de la scie ou le guide-chaîne.



- **N'utilisez jamais une scie à chaîne endommagée, mal ajustée ou qui n'est pas assemblée complètement et de façon sécuritaire.** Assurez-vous que la chaîne de la scie s'immobilise quand vous relâchez la gâchette.
- **Immobilisez la pièce à travailler avant de la tronçonner. Avant d'abattre ou d'élaguer un arbre, repérez et immobilisez les branches dangereuses.**

- **Une coupe mal exécutée, effectuée avec brusquerie ou un usage inapproprié de la scie à chaîne pourraient user prématurément le guide-chaîne, la chaîne ou le pignon d'entraînement et occasionner le bris de ces éléments (donnant lieu à des rebonds), le déraillement de la chaîne ou l'éjection de matériaux.**
- **N'utilisez jamais le guide-chaîne comme un levier.** Un guide-chaîne plié peut entraîner l'usure prématurée de ce guide, de la chaîne et du pignon d'entraînement, ou encore le bris de la chaîne et du guide-chaîne, ce qui pourrait donner lieu à des rebonds, au déraillement de la chaîne et à l'éjection de matériaux.
- **Ne coupez qu'une pièce à travailler à la fois.**
- **Utilisez le produit uniquement avec les blocs-piles et les chargeurs indiqués ci-dessous :**

BLOC-PILE	CHARGEUR
BA1120, BA1120-FC, BA1400, BA1400-FC, BA2240, BA2240-FC, BA2800, BA2800-FC, BA4200, BA4200-FC, BA1400T, BA1400T-FC, BA2800T, BA2800T-FC, BA4200T, BA4200T-FC	CH2100, CH2100-FC, CH5500, CH5500-FC

- **Ne rechargez pas le bloc-piles sous la pluie ni dans un endroit mouillé.**
- **S'il se produit une situation qui ne Fig. pas dans le présent manuel, faites preuve de prudence et de jugement. Communiquez avec le centre de service EGO pour obtenir de l'aide.**

CONSERVEZ CES INSTRUCTIONS!

LEXIQUE

Graisser automatique : Système qui lubrifie automatiquement le guide-chaîne et la chaîne de la scie.

Tronçonnage : Coupe dans le sens de la largeur d'un arbre abattu ou d'une grume.

Griffes : La ou les dents pointues utilisées lors de la coupe ou du tronçonnage pour faire pivoter la scie à chaîne tout en conservant sa position.

Frein de chaîne : Dispositif servant à arrêter immédiatement la chaîne de la scie.

Ensemble moteur : Scie à chaîne sans sa chaîne et son guide-chaîne.

Pignon d'entraînement : Pièce dentée qui entraîne la chaîne de la scie.

Abattage : Processus par lequel on coupe un arbre pour le faire tomber au sol.

Trait d'abattage : Entaille finale du processus d'abattage, fait sur le côté opposé à l'entaille d'abattage.

Rebond : Mouvement du guide-chaîne vers l'arrière, vers le haut ou les deux qui se produit quand la chaîne près du haut du bout du guide-chaîne touche un objet, comme une grume ou une branche, ou quand le bois se referme et coince la chaîne dans la coupe.

Chaîne de scie à faible rebond : Chaîne jugée conforme aux exigences en matière de rebond de la norme ANSIB175.1 lors de son essai par un échantillon représentatif de scies à chaîne.

Position de coupe normale : Position adoptée lors du tronçonnage et de l'abattage.

Entaille d'abattage : Entaille qui dirige la chute de l'arbre.

Guide-chaîne à rebond réduit : un guide-chaîne dont la capacité à réduire grandement les risques de rebond est prouvée.

INTRODUCTION

Nous vous félicitons d'avoir choisi une scie à chaîne de nouvelle génération alimentée par un bloc-pile au lithium-ion de 56 V. Cette scie a été conçue et fabriquée afin de vous offrir la meilleure fiabilité et le meilleur rendement possible.

Si vous éprouvez un problème que vous n'arrivez pas à régler facilement, veuillez communiquer avec le centre de service à la clientèle d'EGO au 1 855 EGO-5656.

Le présent guide contient des renseignements importants pour assembler, utiliser et entretenir en toute sécurité votre scie à chaîne. Lisez-le soigneusement avant d'utiliser la scie à chaîne. Conservez ce guide à portée de main afin de pouvoir le consulter à tout moment.

NUMÉRO DE SÉRIE _____ DATE D'ACHAT _____

NOUS VOUS RECOMMANDONS DE NOTER LE NUMÉRO DE SÉRIE ET LA DATE D'ACHAT ET DE LES CONSERVER EN LIEU SÛR AFIN DE POUVOIR LES CONSULTER ULTÉRIEUREMENT.

CARACTÉRISTIQUES TECHNIQUES

Tension	56 V, courant continu
Longueur du guide-chaîne	450 mm (18 po)
Pas de chaîne	9,5 mm (3/8 po)
Calibre	1,3 mm (0,050 po)
Type de chaîne	91PX062X
Type de guide-chaîne	180SDEA041
Capacité du réservoir d'huile de la chaîne	200 ml (7 oz)
Température de fonctionnement recommandée	-15°C-40°C(5°F-104°F)
Température de stockage recommandée	20°C-70°C(-4°F-158°F)
Poids net (sans le bloc-piles et la gaine de la chaîne)	4.4 kg (9.7 lbs.)

Guide-chaîne et chaîne recommandés pour cette scie à chaîne

NOM DE PIÈCE	TYPE DE PIÈCE	NUMÉRO DE MODÈLE
Guide-chaîne	180SDEA041 (Modèle recommandé) 164MLEA041(Compatible) 144MLEA041(Compatible)	AG1800 (Modèle recommandé) AG1600(Compatible) AG1400(Compatible)
Chaîne de la scie	91PX062X (Modèle recommandé) 90PX056X(Compatible) 90PX052X(Compatible)	AC1800 (Modèle recommandé) AC1600(Compatible) AC1400(Compatible)

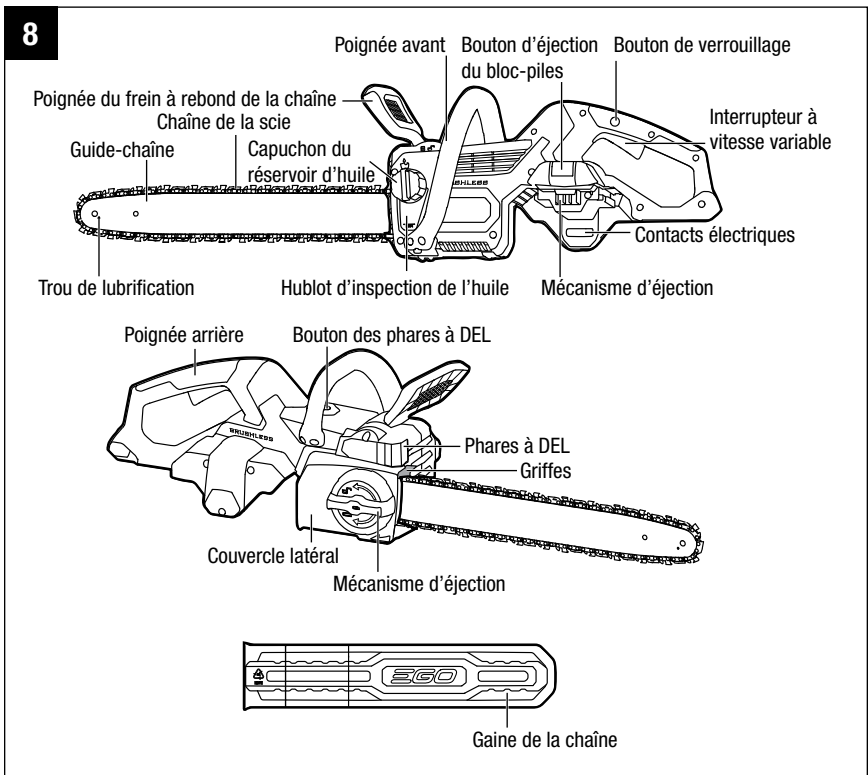
LISTE DES PIÈCES CONTENUES DANS L'EMBALLAGE

NOM DE PIÈCE	QUANTITÉ
Scie à chaîne	1
Gaine de la chaîne	1
Guide d'utilisation	1

DESCRIPCIÓN

FAMILIARISEZ-VOUS AVEC VOTRE SCIE À CHAÎNE (Fig. 8)

Pour utiliser ce produit en toute sécurité, vous devez comprendre les renseignements figurant sur le produit et dans le présent guide d'utilisation et connaître le projet que vous entreprenez. Avant d'utiliser ce produit, familiarisez-vous avec toutes les caractéristiques de fonctionnement et consignes de sécurité.



Poignée du frein à rebond de la chaîne

Sert à activer ou désactiver le frein de la chaîne. Cette poignée sert aussi de protection contre les branches saillantes et aide à empêcher que la main gauche ne touche à la chaîne de la scie si elle glisse de la poignée avant.

Interrupteur à vitesse variable

Permet de mettre en marche et d'arrêter la scie à chaîne et d'ajuster la vitesse de la chaîne.

Lock-off Button

Helps to prevent accidental or unauthorized activating of the trigger switch. It must be depressed before the trigger switch can be activated.

Capuchon du réservoir d'huile

Ferme le réservoir d'huile.

Hublot d'inspection de l'huile

Permet de voir le niveau d'huile dans le réservoir d'huile.

Chaîne de la scie

Chaîne en boucle munie de dents tranchantes qui coupe le bois quand elle est entraînée par l'ensemble moteur et soutenu par le guide-chaîne.

Gaine de la chaîne

Empêche l'utilisateur d'entrer en contact avec les dents tranchantes de la chaîne lorsque l'outil n'est pas utilisé. Permet également d'empêcher que les dents de la chaîne s'ébrèchent ou s'endommagent lorsque l'outil est transporté ou rangé.

Guide-chaîne

Soutient et guide la chaîne de la scie.

Poignée avant

Poignée de soutien pour la main gauche située à l'avant de la scie à chaîne.

Poignée arrière

Poignée de soutien pour la main droite située à l'arrière de la scie à chaîne. **Tenez toujours la scie à chaîne avec la main droite sur la poignée arrière et la main gauche sur la poignée avant.**

Bouton de réglage rapide du tensionnage de la chaîne

Permet un réglage rapide et précis du tensionnage de la chaîne sans devoir utiliser des appareils auxiliaires.

Bouton du panneau latéral

Verrouille et déverrouille le panneau latéral.

Bouton d'éjection du bloc-pile

Permet de retirer le bloc-pile lorsque l'on appuie dessus.

Mécanisme d'éjection

Aide à enlever le bloc-pile.

Phares à DEL

Les phares à DEL sont situés à l'avant de l'ensemble moteur. Cette fonctionnalité procure un éclairage supplémentaire pour améliorer la visibilité. L'éclairage peut se régler en 2 niveaux d'intensité.

Bouton des phares à DEL

Bouton pour ALLUMER ou ÉTEINDRE les phares à DEL. Appuyez une fois sur le bouton des phares à DEL pour allumer les phares au niveau d'intensité 1. Appuyez de nouveau sur le bouton des phares à DEL pour allumer les phares au niveau d'intensité 2. Les phares à DEL s'éteindront lorsque vous aurez appuyé sur le bouton une troisième fois.

Griffes

Les dents pointues en métal utilisées lors de l'abattage ou du tronçonnage pour faire pivoter la scie à chaîne tout en conservant sa position, ce qui permet d'éviter au bois d'œuvre de glisser durant la coupe. Elles peuvent augmenter l'efficacité de la coupe.

ASSEMBLAGE

⚠ AVERTISSEMENT : S'il y a des pièces manquantes ou endommagées, ne tentez pas d'utiliser cet article tant que ces pièces n'auront pas été remplacées. Le fait d'utiliser cet article avec des pièces endommagées ou manquantes pourrait entraîner des blessures graves.

⚠ AVERTISSEMENT : Ne tentez pas de modifier cet article ou de créer des accessoires qui ne sont pas recommandés pour cet article. Toute modification est considérée comme un usage inapproprié et peut créer une situation dangereuse susceptible d'entraîner des blessures graves.

⚠ AVERTISSEMENT : Pour empêcher une mise en marche accidentelle pouvant causer des blessures graves, enlevez toujours le connecteur de l'outil lorsque vous assemblez des pièces, procédez à des ajustements ou à son nettoyage ou lorsque l'outil n'est pas utilisé.

DÉBALLAGE

- Cet article doit être assemblé.
- Retirez soigneusement l'outil et toutes les pièces de l'emballage. Assurez-vous que toutes les pièces mentionnées sur la liste de l'emballage sont présentes.
- Inspectez soigneusement l'outil pour vérifier qu'il n'a pas été endommagé pendant l'expédition.
- Ne jetez pas le matériel d'emballage avant d'avoir inspecté soigneusement la scie à chaîne et de l'avoir fait fonctionner de manière satisfaisante.
- S'il y a des pièces manquantes ou endommagées, veuillez retourner l'outil à l'endroit où vous l'avez acheté.

FONCTIONNEMENT

⚠ AVERTISSEMENT : Même si vous connaissez parfaitement la scie à chaîne, restez attentif. N'oubliez pas qu'une fraction de seconde d'inattention suffit à se blesser gravement.

⚠ AVERTISSEMENT : Portez systématiquement des lunettes de sécurité avec écrans latéraux conformes à la norme ANSI Z87.1, ainsi que des protecteurs d'oreilles. Sinon, vous pourriez recevoir des débris dans les yeux et vous blesser gravement.

⚠ AVERTISSEMENT : N'utilisez pas de pièces ni d'accessoires qui ne sont pas recommandés par le fabricant de cette scie à chaîne. L'utilisation de pièces ou d'accessoires non recommandés peut occasionner des blessures graves.

Avant chaque utilisation, inspectez l'intégralité du produit pour vérifier s'il y a des pièces endommagées, manquantes ou laches, comme des vis, des boulons, des écrous, des capuchons, etc. Fixez fermement toutes les attaches et tous les capuchons et ne faites pas fonctionner ce produit avant que toutes les pièces manquantes ou endommagées aient été remplacées.

UTILISATION

Le présent produit peut servir à des tâches de base telle que l'abattage, l'ébranchage, l'élagage et la coupe du bois d'oeuvre et des arbres.

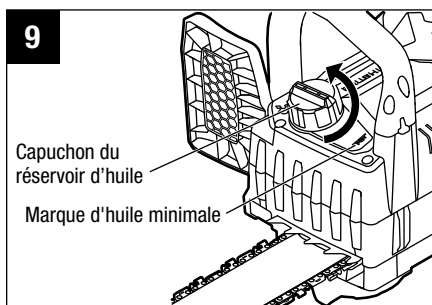
REMPLEZ LE RÉSERVOIR D'HUILE DE LUBRIFIANT POUR GUIDE-CHAÎNE ET CHAÎNE.

⚠ AVERTISSEMENT : Pour empêcher une mise en marche accidentelle pouvant causer des blessures graves, retirez toujours le bloc-pile de la scie à chaîne avant de remplir le réservoir d'huile.

⚠ AVERTISSEMENT : Ne fumez pas ni n'approchez de flamme près de l'huile ou de la scie à chaîne. Le lubrifiant pourrait se renverser et occasionner un incendie.

AVIS : La scie à chaîne ne contient pas de lubrifiant à l'achat. Il est donc essentiel de remplir son réservoir d'huile avant de l'utiliser. Utiliser la scie à chaîne quand son réservoir d'huile est vide ou que son niveau est en dessous du minimum l'endommagera. La durée de vie et l'efficacité de la chaîne dépendent d'une lubrification optimale. La chaîne est automatiquement lubrifiée pendant son utilisation.

1. Retirez le bloc-pile de la scie à chaîne.
2. Nettoyez le capuchon du réservoir d'huile et la zone l'entourant pour vous assurer qu'aucune saleté ne tombera à l'intérieur du réservoir.
3. Placez la scie à chaîne sur le côté sur une surface solide et plane, de façon que le capuchon du réservoir pointe vers le haut. Tournez le capuchon dans le sens contraire des aiguilles d'une montre pour l'enlever (Fig. 9).
4. Versez soigneusement le lubrifiant à chaîne dans le réservoir. Le filtre dans l'ouverture permet à l'huile d'entrer lentement dans le réservoir; attention au débordement. Remplissez le réservoir jusqu'au goulot de remplissage. Essuyez l'excès d'huile.
5. Remettez le capuchon en place, redressez la scie à chaîne et regardez le niveau d'huile par le hublot d'inspection de l'huile. Le lubrifiant devrait occuper tout le hublot.



AVIS :

- Utilisez de l'huile à chaîne et guide-chaîne de marque OREGON® pour obtenir de meilleurs résultats. Elle est spécialement conçue pour réduire la friction et accélérer les coupes.
- N'utilisez ni huiles ni lubrifiants n'ayant pas été précisément conçus pour être utilisés avec des guide-chaîne et des chaînes. En utiliser pourrait boucher le système de distribution de l'huile, ce qui entraînerait l'usure prématurée du guide-chaîne et de la chaîne.
- Vérifiez souvent le niveau d'huile et remplissez le réservoir quand son niveau descend en bas du minimum. N'utilisez pas la scie à chaîne si le niveau d'huile n'est pas visible.
- N'utilisez pas d'huiles sales, usées ou autrement contaminées. Elles pourraient endommager le guide-chaîne et la chaîne.
- Il est normal que de l'huile s'écoule de la scie à chaîne lorsqu'elle n'est pas utilisée. Pour éviter cet écoulement, videz le réservoir d'huile après chaque utilisation, puis faites fonctionner la scie une minute. Si vous prévoyez remettre la scie à chaîne pendant longtemps, assurez-vous que sa chaîne est légèrement lubrifiée; la chaîne, le guide-chaîne et le pignon d'entraînement seront ainsi protégés de la rouille.

- Pour préserver les ressources naturelles, veuillez recycler ou jeter l'huile de manière appropriée. Consultez l'organisme local de gestion des déchets au sujet des possibilités offertes pour la mise au rebut ou le recyclage.

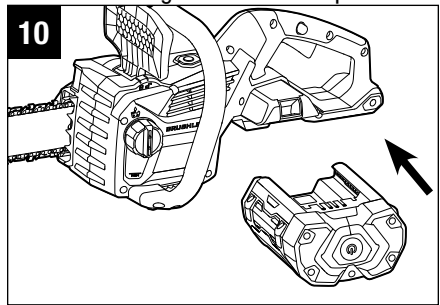
INSTALLATION ET RETRAIT DU BLOC-PILE (Fig. 10 & 11)

AVIS : Chargez le bloc-pile au maximum avant sa première utilisation.

Installation (Fig. 10)

1. Alignez les nervures du bloc-pile sur les fentes de montage situées dans le port du bloc-pile de la scie à chaîne.
2. Glissez le bloc-pile dans la scie à chaîne jusqu'à ce qu'il se verrouille en position.

AVIS : Avant d'utiliser le produit, assurez-vous que le verrou de la scie à chaîne se loge en place et que le bloc-pile est fixé à l'outil.

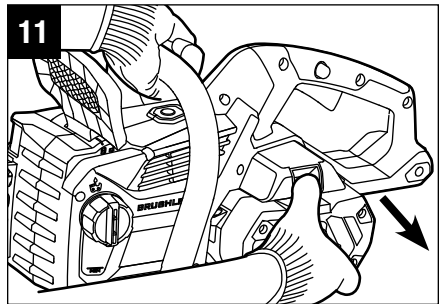


Retrait (Fig. 11)

⚠ AVERTISSEMENT : Soyez toujours conscient de l'emplacement de vos pieds, de vos enfants et de vos animaux de compagnie lorsque vous appuyez sur le bouton d'éjection du bloc-pile. La chute du bloc-pile pourrait causer des blessures graves.

Ne retirez JAMAIS le bloc-pile lorsque vous êtes en hauteur.

1. Tenez le bloc-pile dans la paume de la main.
2. Pour libérer le bloc-pile du verrou, appuyez sur le bouton d'éjection du bloc-pile avec le pouce.
3. Saisissez le bloc-pile et retirez-le de la scie à chaîne.



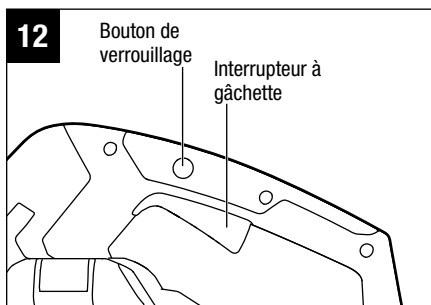
MISE EN MARCHÉ ET ARRÊT DE LA SCIE À CHAÎNE

Avant de mettre la scie à chaîne en marche, suivez les instructions ci-dessous :

1. Installez le bloc-pile.
2. Assurez-vous que la chaîne est correctement installée et tensionnée
3. Vérifiez le couvercle latéral en vous assurant qu'il n'est pas endommagé et qu'il est bien fixé sur le guide-chaîne et la chaîne de la scie.
4. Vérifiez le niveau d'huile et remplissez le réservoir au besoin.
5. Vérifiez l'affûtage des dents tranchantes de la chaîne de la scie.
6. Assurez-vous que la poignée du frein à rebond de la chaîne se déplace facilement en position de freinage, puis tirez-la en position de démarrage, vers la poignée avant.
7. Tenez la scie à chaîne à deux mains : tenez la poignée arrière avec la main droite et la poignée avant avec la main gauche.
8. Tenez-vous droit et tenez la scie à chaîne sans vous crispier. Assurez-vous que la chaîne de la scie ne touche ni le sol ni tout autre objet.
9. Assurez-vous que vous avez une posture sécuritaire et un bon équilibre. Faites attention aux obstacles, comme les souches, les racines et les fossés, qui pourraient vous faire trébucher ou tomber

Mise en marche (Fig. 12)

1. Installez le bloc-pile.
2. Assurez-vous qu'aucun objet ou obstacle à proximité ne peut toucher au guide-chaîne ou à la chaîne.
3. Tirez la poignée du frein à rebond de la chaîne vers la poignée avant pour la mettre en position de démarrage (voir Fig. 1).



4. Saisissez fermement les poignées avant et arrière avec les deux mains.
5. Tenez enfoncé le bouton de blocage avec le pouce de votre main droite, puis appuyez sur la gâchette avec les doigts de votre main droite pour faire démarrer la scie à chaîne. Relâchez le bouton de blocage et gardez la gâchette enfoncée pour utiliser la scie à chaîne de façon continue.
6. Relâchez le bouton de verrouillage et gardez l'interrupteur à vitesse variable enfoncé pour utiliser l'outil de façon continue.

Arrêt (Fig. 12)

1. Pour arrêter la scie à chaîne, éloignez-la de l'aire de découpe, puis relâchez la gâchette.
2. Poussez la poignée du frein à rebond de la chaîne vers l'avant en position de freinage afin d'activer le frein de la chaîne (voir Fig. 1).

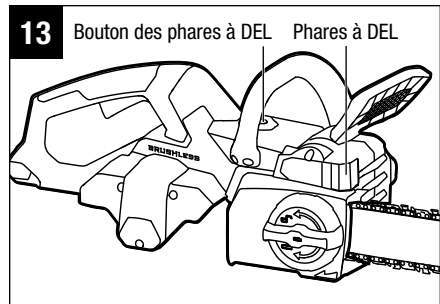
⚠ AVERTISSEMENT : Retirez toujours le bloc-pile de la scie à chaîne lorsque vous faites des pauses et une fois que vous avez terminé de l'utiliser.

PHARES À DEL (Fig. 13)

Les phares à DEL sont situés à l'avant de l'ensemble moteur. Cette fonctionnalité procure un éclairage supplémentaire pour améliorer la visibilité. L'éclairage peut se régler en 2 niveaux d'intensité.

Pour allumer les phares, appuyez sur le bouton des phares à DEL une première fois. Les phares projettent une lumière vive devant la scie à chaîne. Appuyez une deuxième fois sur le bouton des phares à DEL pour augmenter l'intensité des phares.

Pour éteindre les phares, appuyez une troisième fois sur le bouton des phares à DEL.



PRÉPARATION POUR LA COUPE

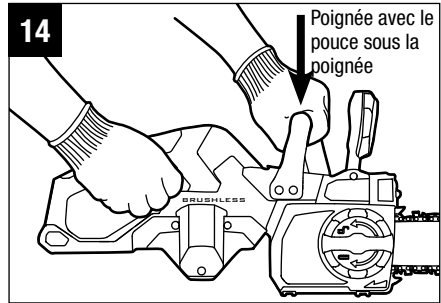
Consultez les importantes consignes de sécurité énoncées ci-dessus pour connaître l'équipement de sécurité approprié.

Précautions dans l'aire de travail

- Ne coupez que du bois ou des matériaux faits de bois; ne coupez pas de tôle, de plastique, de matériaux de maçonnerie ni de matériaux de construction non faits de bois.
- Ne laissez jamais des enfants utiliser la scie à chaîne.
- Ne permettez pas l'utilisation de la scie à chaîne par quiconque n'ayant pas consulté le présent guide d'utilisation ou reçu des instructions adéquates quant à son utilisation sécuritaire et appropriée.
- Lors de l'abattage d'un arbre, gardez tout le monde – personnes qui vous aident, observateurs, enfants et animaux – à une distance sécuritaire de l'aire de découpe. Cette distance devrait équivaloir au moins au double de la hauteur des plus grands arbres de l'aire d'abattage. Lors du travail de tronçonnage, observez une distance minimale de 4,5 m (15 pi) entre les travailleurs. Les arbres ne doivent pas être abattus de façon à mettre quiconque en danger, à heurter un câble de service public ou à causer tout dommage matériel. Si un arbre entre en contact avec un câble de service public, restez à l'écart et avisez-en l'entreprise concernée immédiatement.
- Lorsque vous utilisez la scie à chaîne, placez vos deux pieds fermement au sol afin de ne pas perdre l'équilibre.
- N'effectuez pas de coupe au-dessus de la poitrine, étant donné qu'il est difficile à cette hauteur de résister à la pression du rebond.
- N'abattez pas d'arbres près de fils électriques ou d'immeubles.
- N'utilisez la scie à chaîne que si la visibilité et l'éclairage vous permettent de voir clairement.

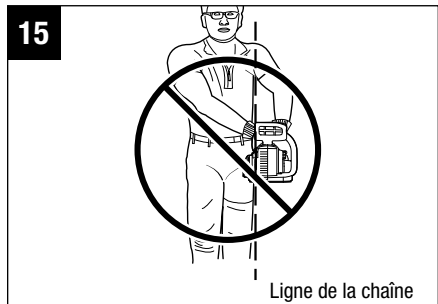
Bonne prise des poignées

- Portez des gants antidérapants pour une prise et une protection optimales.
- Placez la scie à chaîne sur une surface solide et plane, et tenez-la fermement avec les deux mains.
- Tenez toujours la poignée avant avec la main gauche et la poignée arrière avec la main droite.
- Les doigts doivent entourer les poignées, le pouce enveloppant le bas de la poignée avant (Fig. 14).



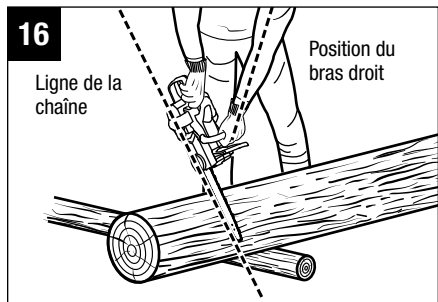
⚠ AVERTISSEMENT : N'utilisez jamais de prise inversée (les bras croisés), ou toute autre position qui placerait votre corps ou votre bras dans l'axe de la chaîne.

⚠ AVERTISSEMENT : Ne pressez pas la gâchette avec votre main gauche en tenant la poignée avant avec votre main droite. Ne placez jamais quelque partie de votre corps que ce soit dans l'axe de la chaîne lorsque vous utilisez une scie à chaîne (Fig. 15).



Posture de coupe adéquate (Fig. 16)

- Vos pieds doivent reposer fermement sur le sol, et votre poids doit être réparti de façon uniforme.
- Votre bras gauche doit être droit et votre coude, bloqué. Vous pouvez ainsi résister à la pression du rebond.
- Votre corps doit toujours être situé à gauche de l'axe de la chaîne.



COUPE

Coupe rudimentaire

⚠ AVERTISSEMENT : Lorsque le moteur tourne, maintenez toujours une posture stable et tenez la scie à chaîne fermement avec les deux mains.

Avant d'entreprendre des travaux de sciage importants, exercez-vous à couper quelques petites billes en suivant la technique suivante afin de vous familiariser avec votre scie.

1. Adoptez une posture appropriée devant le bois, la scie éteinte.
2. Enfoncez le bouton de blocage et pressez la gâchette pour démarrer la scie à chaîne. Attendez que la chaîne atteigne son plein régime avant de commencer la coupe.
3. Commencez la coupe en exerçant une faible pression sur le bois avec le guide-chaîne. N'appliquez qu'une légère force et laissez la scie faire le travail.
4. Maintenez une vitesse constante tout le long de la coupe et relâchez la pression juste avant la fin.
5. Relâchez la gâchette aussitôt que la coupe est terminée, de façon à permettre à la chaîne d'arrêter.

⚠ AVERTISSEMENT : Si la scie à chaîne se coince pendant la coupe, relâchez la gâchette, retirez la scie et le guide-chaîne du bois et redémarrez la scie.

⚠ AVERTISSEMENT : Ne tirez pas la chaîne de la scie avec votre main lorsqu'elle est couverte de bran de scie. Si la scie à chaîne se mette en marche accidentellement, ça pourrait causer des blessures graves. Appuyez la chaîne sur le bois, déplacez la scie à chaîne d'avant en arrière pour décharger les débris. Retirez toujours le bloc-queue avant le nettoyage. Portez des gants de protection renforcés lorsque vous manipulez la scie à chaîne.

⚠ AVERTISSEMENT : Ne démarrez jamais la scie à chaîne tandis qu'elle est en contact avec le bois. Attendez que la scie à chaîne atteigne son plein régime avant d'appliquer la scie à bois.

ABATTRE UN ARBRE

Situations dangereuses

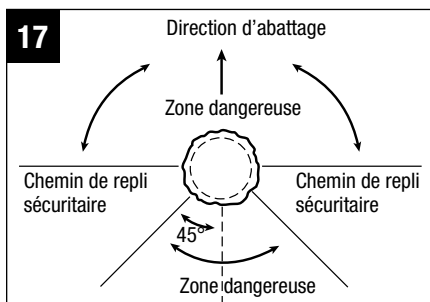
⚠ AVERTISSEMENT : Lors de l'abattage d'un arbre, il est important de tenir compte des avertissements suivants afin d'éviter toute blessure grave.

- N'abattez pas d'arbres par temps de grands vents ou de fortes précipitations. Attendez la fin de ces conditions météorologiques dangereuses.
- N'abattez pas d'arbres inclinés à des angles extrêmes ou de grands arbres dont les branches sont moisis, l'écorce détachée ou le tronc creux. Plutôt, faites-les pousser ou tirer à l'aide de machinerie lourde avant de les couper.
- N'abattez pas d'arbres près de fils électriques ou d'immeubles.
- Vérifiez si l'arbre comporte des branches endommagées ou mortes qui pourraient vous tomber dessus pendant l'abattage.
- Jetez périodiquement un coup d'œil au sommet de l'arbre pendant l'exécution du trait d'abattage afin de vous assurer que l'arbre tombera dans la direction désirée.
- Si l'arbre commence à tomber dans la mauvaise direction ou si la scie se coince ou s'accroche pendant la chute, laissez la scie où elle est et fuyez!

Préparation pour l'abattage d'un arbre

- La distance sécuritaire entre des travaux de tronçonnage et d'abattage effectués simultanément par deux personnes ou plus doit équivaloir au moins au double de la hauteur de l'arbre abattu. Les arbres ne doivent pas être abattus de façon à mettre quiconque en danger, à heurter un câble de service public ou à causer tout dommage matériel. Si un arbre entre en contact avec un câble de service public, restez à l'écart et avisez-en l'entreprise concernée immédiatement.
- L'utilisateur de la scie à chaîne doit se tenir en amont, étant donné que l'arbre abattu roulera ou glissera vraisemblablement vers le bas.

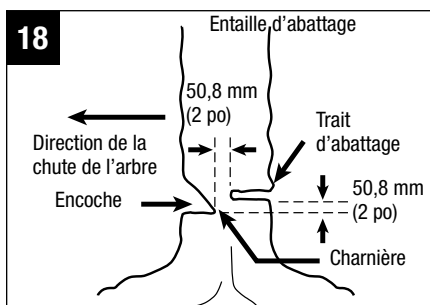
- Avant d'entreprendre tout travail de coupe, déterminez votre chemin de repli (et vos chemins de repli de rechange, si la première est bloquée). Dégagez la zone immédiate autour de l'arbre et assurez-vous que vos chemins de repli prévus ne sont pas obstrués. Dégagez une voie de repli sécuritaire à environ 135° de l'axe de chute prévu de l'arbre. Le chemin de repli doit être orienté de façon diagonale et opposée à l'axe de chute prévu. Voir la Fig. 17.



- Avant de commencer l'abattage, tenez compte de l'inclinaison naturelle de l'arbre, de l'emplacement des grosses branches et de la direction du vent afin d'évaluer la direction vers laquelle l'arbre tombera.
- Retirez la saleté, les roches, l'écorce détachée, les clous, les agrafes et les fils des emplacements de l'arbre où les traits d'abattage seront effectués.

Entaille d'abattage

Pratiquez l'entaille au tiers du diamètre de l'arbre, perpendiculairement à la direction de la chute (comme le montre la Fig. 18). Creusez l'entaille horizontale inférieure en premier. Cette méthode vous aidera à éviter le coincement de la chaîne ou du guide-chaîne lors de la deuxième entaille.



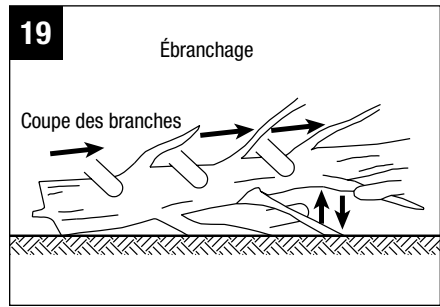
Trait d'abattage

- Le trait d'abattage doit être situé à au moins 50,8 mm (2 po) au-dessus de l'entaille horizontale (Fig. 18). Le trait d'abattage doit être parallèle à l'entaille d'abattage horizontale. Pratiquez le trait de façon à ce qu'il reste suffisamment de bois pour servir de charnière. Cette charnière empêche l'arbre de tourner et de tomber dans la mauvaise direction. Ne coupez pas à travers la charnière.

2. À mesure que le trait d'abattage s'approche de la charnière, l'arbre devrait commencer à tomber. S'il y a un risque que l'arbre ne tombe pas dans la direction désirée ou bascule vers l'arrière et bloque la scie à chaîne, cessez le trait avant de l'avoir terminé et utilisez des coins d'abattage de bois, de plastique ou d'aluminium, de façon à ouvrir la brèche et faire tomber l'arbre dans l'axe voulu.
3. Quand l'arbre commence à tomber, retirez la scie à chaîne de la brèche, arrêtez le moteur, posez la scie par terre et empruntez le chemin de repli préalablement établi. Faites attention aux branches au-dessus de vous et gardez l'équilibre.

ÉBRANCHAGE

L'ébranchage consiste à retirer les branches d'un arbre abattu. Lorsque vous ébranchez un arbre, ne coupez pas les grosses branches, de façon à ce qu'elles servent d'appui. Retirez les petites branches d'un coup, comme le montre la Fig. 19. Coupez du bas vers le haut les branches soumises à une tension afin d'éviter de coincer la scie à chaîne.

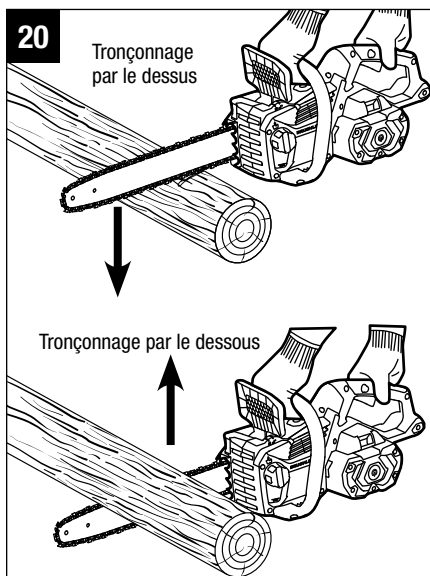


⚠ AVERTISSEMENT : Les travaux d'ébranchage présentent un risque extrême de rebond. Soyez très prudent et évitez de faire toucher le bout du guide-chaîne à la grume ou aux autres branches.

TRONÇONNER UNE GRUME (Fig. 20)

Le tronçonnage consiste à couper une grume en billes. Il est important de vous assurer que votre assise est ferme et que votre poids est uniformément réparti sur vos deux pieds. Si possible, la grume devrait être soulevée et soutenue par des branches, d'autres morceaux de bois ou des cales. Suivez ces directives simples pour assurer une découpe facile.

⚠ AVERTISSEMENT : Dégagez la zone de coupe. Assurez-vous qu'aucun objet ne peut entrer en contact avec le bout du guide-chaîne ou la chaîne pendant le sciage; un tel contact peut causer un rebond.



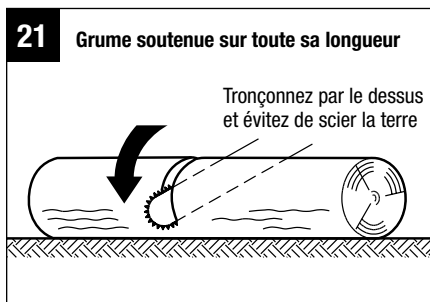
Tronçonnage par le dessus

Commencez à couper au-dessus de la grume avec le dessous de la scie; exercez une légère pression vers le bas. Notez que la scie aura tendance à s'éloigner de vous.

Tronçonnage par le dessous

Commencez à couper au-dessous de la grume avec le dessus de la scie; exercez une légère pression vers le haut. Notez que la scie aura tendance à s'approcher de vous. Soyez préparé à la réaction de la scie, et tenez-la fermement afin d'en garder le contrôle.

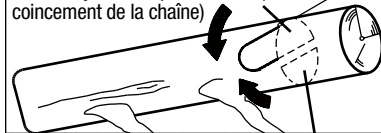
- Si la grume est appuyée sur toute sa longueur, tronçonnez-la par le dessus (Fig. 21).



- Si la grume n'est soutenue que d'une extrémité, coupez-en un tiers du diamètre par le dessous. Effectuez ensuite le trait de finition par le dessus afin de rejoindre le premier trait (Fig. 22).
- Si la grume est soutenue aux deux extrémités, coupez-en un tiers du diamètre par le dessus. Effectuez ensuite le trait de finition des deux tiers restants par le dessous afin de rejoindre le premier trait (Fig. 23).
- Lorsque vous tronçonnez sur une pente, placez-vous en amont de la grume (Fig. 24).
- Afin de garder un contrôle total, relâchez la pression vers la fin de la coupe, sans détendre la prise des poignées de la scie à chaîne. Ne laissez pas la chaîne toucher le sol. Après la coupe, attendez l'arrêt de la scie à chaîne avant de la déplacer. Arrêtez toujours le moteur avant de passer à un autre arbre.

22
Grume soutenue à une extrémité

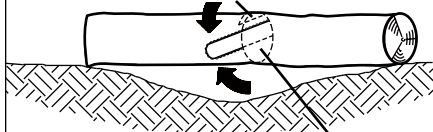
Deuxième trait par le dessus (deux tiers du diamètre) afin de rejoindre le premier trait (et éviter un coincement de la chaîne)



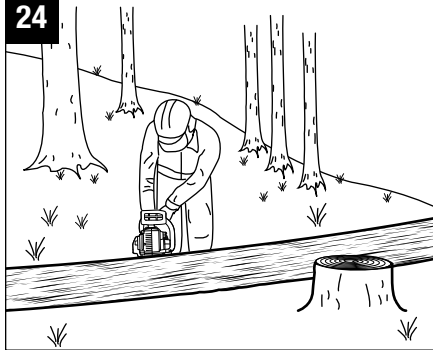
Premier trait par le dessous (un tiers du diamètre) afin d'éviter que la grume ne se fende en éclats

23
Grume soutenue aux deux extrémités

Premier trait par le dessus (un tiers du diamètre) afin d'éviter que la grume ne vole en éclats



Deuxième trait par le dessous (deux tiers du diamètre) afin de rejoindre le premier trait (et éviter un coincement de la chaîne)

24


ENTRETIEN

⚠ AVERTISSEMENT : Lorsque vous procédez à l'entretien de la scie à chaîne, utilisez uniquement des pièces de remplacement identiques à celles d'origine. L'utilisation de toute autre pièce peut constituer un danger ou endommager le produit.

⚠ AVERTISSEMENT : Lorsque vous utilisez un outil électrique ou soufflez la poussière, portez toujours des lunettes de sécurité couvrantes ou à écrans latéraux. Si la tâche génère de la poussière, portez également un masque antipoussières.

⚠ AVERTISSEMENT : Pour éviter des blessures graves, retirez toujours le bloc-pile de la scie à chaîne avant de procéder à l'inspection, à l'entretien ou au nettoyage. Un outil alimenté par un bloc-pile dont le bloc-pile est inséré est toujours allumé et peut démarrer accidentellement.

⚠ AVERTISSEMENT : Lors du nettoyage de la scie à chaîne, NE l'immergez PAS dans l'eau ou dans un autre liquide.

⚠ AVERTISSEMENT : Ne laissez en aucun temps du liquide pour freins, de l'essence, des produits à base de pétrole, des huiles dégrippantes et autres produits de ce genre entrer en contact avec les pièces en plastique. Les produits chimiques peuvent endommager, affaiblir ou détruire le plastique et engendrer ainsi des risques de blessures graves.

L'entretien des pièces de la scie à chaîne qui ne figurent pas dans le présent manuel doit être effectué par un technicien qualifié.

NETTOYAGE

- Après chaque utilisation, retirez les débris de la chaîne et du guide-chaîne à l'aide d'une brosse douce. Essuyez la surface de la scie à chaîne au moyen d'un linge propre et d'une solution de savon doux. Pour un nettoyage en profondeur, retirez le couvercle latéral et démontez le guide-chaîne et la chaîne de la scie.
- Pour un nettoyage en profondeur, retirez le couvercle latéral et démontez le guide-chaîne et la chaîne de la scie. Utilisez ensuite une brosse douce pour enlever tous les débris du guide-chaîne, de la chaîne de la scie et du pignon d'entraînement de l'ensemble moteur.
- Retirez toujours les copeaux de bois, la sciure et la saleté de la rainure du guide-chaîne lorsque vous remplacez la chaîne de la scie.

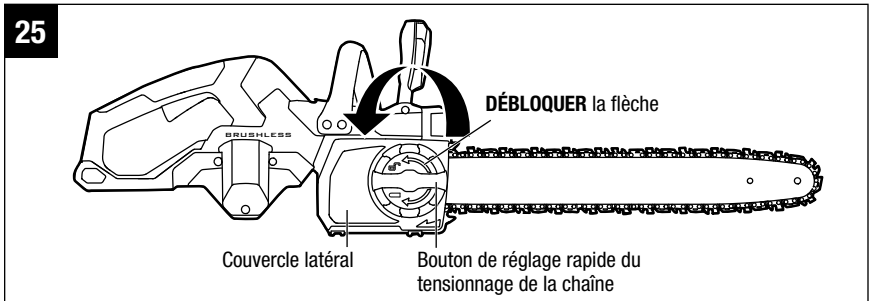
REEMPLACER LE GUIDE-CHAÎNE ET LA CHAÎNE

⚠ AVERTISSEMENT : Ne touchez ni n'ajustez jamais la chaîne pendant que le moteur tourne. La chaîne de la scie est très tranchante; portez toujours des gants de protection lorsque vous en effectuez l'entretien.

AVIS : Lors du remplacement du guide-chaîne et de la chaîne, utilisez toujours la combinaison indiquée dans la précédente section « **Guide-chaîne et chaîne recommandés pour cette scie à chaîne** ».

Démonter le guide-chaîne et la chaîne usés

1. Retirez le bloc-pile, laissez la scie refroidir et serrez le capuchon du réservoir d'huile.
2. Placez la scie à chaîne sur le côté sur une surface solide et plane, de façon à ce que le panneau latéral pointe vers le haut (Fig. 25).
3. Portez des gants. Retirez le panneau latéral en tournant sa poignée dans le sens contraire des aiguilles d'une montre (Fig. 25). Utilisez un linge sec pour nettoyer le panneau.



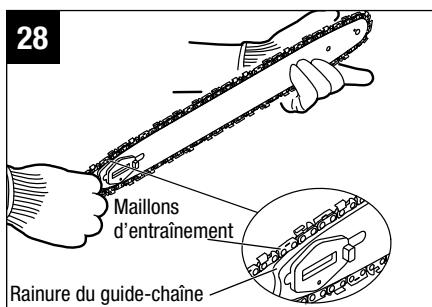
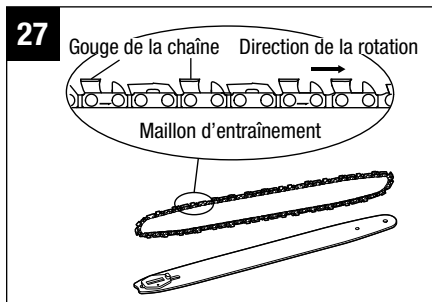
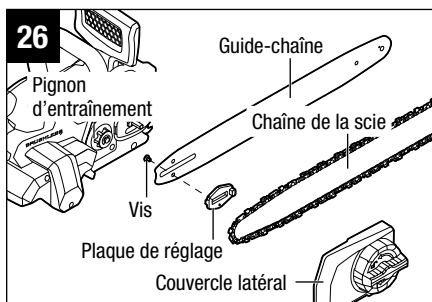
4. Retirez soigneusement le guide-chaîne et la chaîne de l'ensemble moteur.
5. Retirez la chaîne usée du guide-chaîne.

- Une plaque de réglage est fixée au guide-chaîne par une vis. Si vous devez remplacer le guide-chaîne, démontez la plaque de réglage du guide-chaîne et remontez-la sur le nouveau guide-chaîne comme l'illustre la Fig. 26.

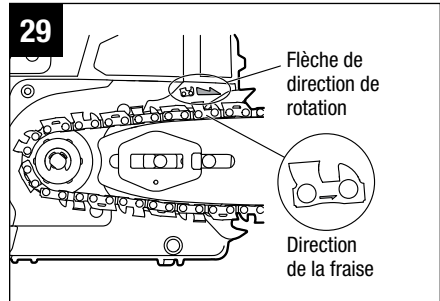
AVIS : Le moment est bien choisi pour vérifier l'absence d'usure ou de dommages excessifs sur le pignon d'entraînement.

Assembler le nouveau guide-chaîne et la nouvelle chaîne

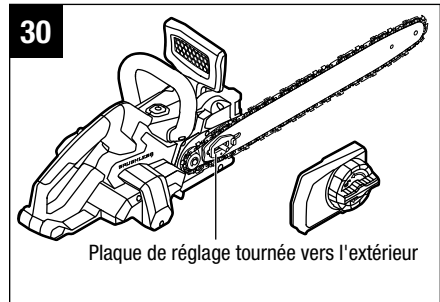
- Faites une boucle sur une surface plane avec la nouvelle chaîne en redressant tout pli (Fig. 27).
- Insérez les maillons d'entraînement dans la rainure du guide-chaîne. Positionnez la chaîne de la scie de façon qu'une boucle se forme à l'arrière du guide-chaîne (Fig. 28).
- Tenez la chaîne en place sur le guide-chaîne et entourez le pignon d'entraînement de l'ensemble moteur avec la boucle.



AVIS : De petites flèches indiquant l'orientation sont gravées sur la chaîne de la scie et le boîtier de l'ensemble moteur (Fig. 29). Lorsque vous entourez le guide-chaîne de la chaîne de la scie après avoir fixé le guide-chaîne sur l'ensemble moteur, assurez-vous que les flèches de la chaîne de la scie et celle du boîtier de l'ensemble moteur pointent dans la même direction. Si elles pointent dans des directions opposées, remontez la chaîne de la scie sur le guide-chaîne. La plaque de réglage doit être fixée sur le guide-chaîne du côté opposé au boîtier.



4. Remplacez le couvercle latéral sur l'ensemble moteur en serrant complètement le bouton de réglage rapide du tensionnage de la chaîne dans le sens des aiguilles d'une montre. L'engrenage à excentrique à l'intérieur du couvercle latéral est conçu pour veiller à ce que la chaîne ne soit pas surtendue (Fig. 30).



5. Réglez la poignée du frein à rebond de la chaîne à la position de fonctionnement, puis faites tourner la chaîne à la main pour vérifier qu'elle tourne correctement sans se coincer. Sinon, remontez la chaîne et le guide-chaîne.

ENTRETIEN DE LA CHAÎNE

N'utilisez que des chaînes à faible rebond avec cette scie. Une telle chaîne à coupe rapide offrira une réduction du rebond si elle est bien entretenue.

Une chaîne bien affûtée coupe le bois sans effort, même si vous exercez une pression minimale. N'utilisez jamais une chaîne émoussée ni endommagée. Une gouge émoussée entraîne une augmentation de l'effort physique demandé et de la vibration, des résultats de découpe insatisfaisants et une usure accrue.

Pour assurer une découpe rapide et en douceur, la chaîne doit être correctement entretenue. Vous devez affûter la chaîne lorsque les copeaux de bois sont petits et poudreux, que vous devez exercer une pression accrue sur la scie pendant la découpe ou que la chaîne ne coupe que d'un côté. Lors de l'entretien de la chaîne, tenez compte des éléments suivants

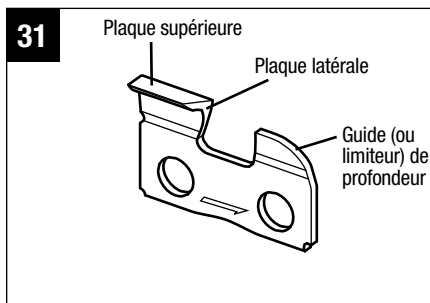
- Un angle d'affûtage incorrect de la plaque latérale peut accroître le risque de rebond important.
- Le réglage du guide de profondeur. Un réglage trop profond accroît le risque de rebond. Une profondeur insuffisante réduit l'efficacité de coupe.
- Si les dents de la gouge ont heurté des objets durs comme des clous ou des pierres ou ont été abrasées par de la boue ou du sable se trouvant sur le bois, faites affûter la chaîne par un technicien qualifié.

AVIS : Lors du remplacement de la chaîne, vérifiez l'absence d'usure ou de dommages excessifs sur le pignon d'entraînement. S'il présente des signes d'usure ou d'endommagement, faites-le remplacer par un technicien qualifié.

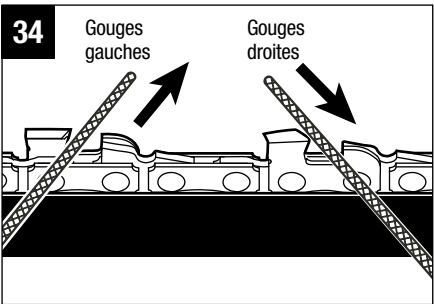
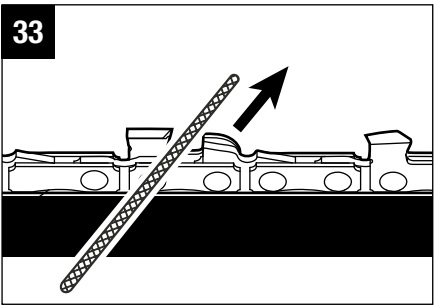
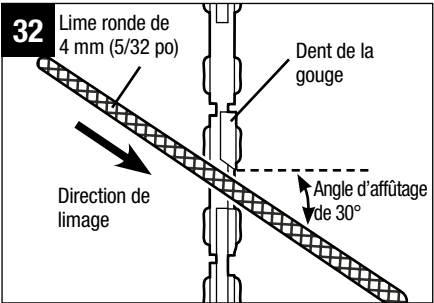
Comment affûter les gouges

Veillez à limer toutes les gouges (Fig. 31) aux angles spécifiés et à la même longueur, car des gouges uniformes sont nécessaires à une coupe rapide.

1. Retirez le bloc-pile. Portez des gants de protection.
2. Assurez-vous que la chaîne est correctement installée et que le bouton de réglage rapide du tensionnage de la chaîne est complètement serré, ce qui assure un tensionnage adéquat de la chaîne.
3. Utilisez une lime ronde et un porte-lime de 4 mm (5/32 po) de diamètre (vendus séparément). Tout le limage doit être effectué au point central du guide-chaîne pour un équilibre parfait.
4. Gardez la lime de niveau avec la plaque supérieure de la dent. Ne l'inclinez pas et ne la faites pas basculer.



5. Conservez un angle d'affûtage de 30° entre la lime et la chaîne de la scie; voir les Fig. 32 et 33. Utilisez toujours un porte-lime (non inclus) pendant l'affûtage manuel. Les porte-limes sont munis d'indicateurs d'angle d'affûtage.
6. Exercez une pression légère, mais ferme, puis limez en direction du coin avant de la dent. Soulevez la lime du métal après chaque retour.
7. Effectuez quelques passes fermes sur chaque dent. Limez toutes les gouges de gauche dans un sens. Ensuite, passez de l'autre côté et limez toutes les gouges de droite dans l'autre sens. De temps à autre, éliminez la limaille de la lime au moyen d'une brosse métallique (Fig. 34).



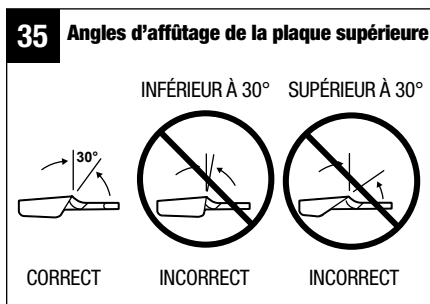
⚠ AVERTISSEMENT : Une chaîne émoussée ou incorrectement affûtée peut causer une vitesse excessive du moteur pendant la coupe et l'endommager gravement.

⚠ AVERTISSEMENT : Une chaîne incorrectement affûtée accroît le risque de rebond.

⚠ AVERTISSEMENT : Une chaîne endommagée non remplacée ou non réparée peut causer des blessures graves.

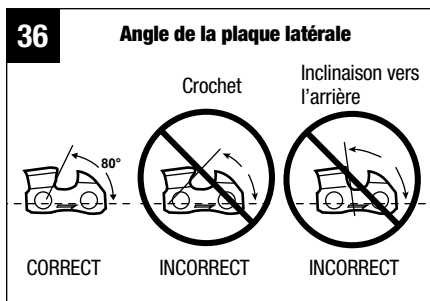
Angles d'affûtage de la plaque supérieure (Fig. 35).

- ANGLE CORRECT DE 30° – on n'obtient cet angle optimal que si l'on utilise les limes et les réglages indiqués. Les porte-limes sont munis d'indicateurs servant à aligner la lime correctement, de façon à produire le bon angle d'affûtage de la plaque supérieure.
- ANGLE INFÉRIEUR À 30° – la dent est trop émoussée pour effectuer une coupe.
- ANGLE SUPÉRIEUR À 30° – la lame de la dent est amincie et s'émousse rapidement.



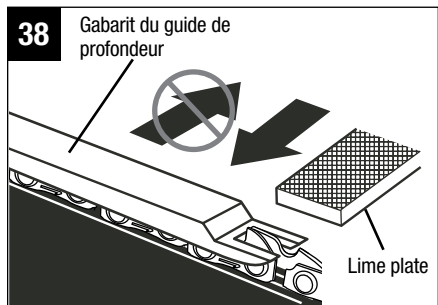
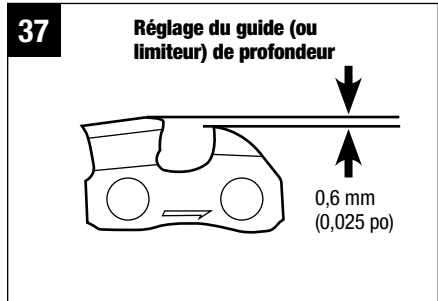
Angle de la plaque latérale (Fig. 36).

- ANGLE CORRECT DE 80° – on obtient cet angle optimal automatiquement si la lime circulaire de la bonne dimension est utilisée dans le porte-lime.
- CROCHET – « s'accroche » et s'émousse rapidement. Accroît le risque de REBOND. Un crochet est causé par une lime trop petite ou tenue trop bas.
- INCLINAISON VERS L'ARRIÈRE – requiert trop de pression d'alimentation et use excessivement le guide-chaîne et la chaîne. Un crochet est causé par une lime trop petite ou tenue trop bas.



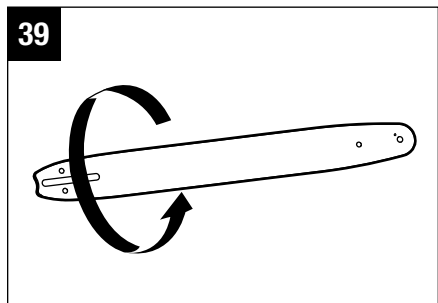
Réglage du guide de profondeur

1. Le guide de profondeur doit être réglé à 0,6 mm (0.025 po), comme le montre la (Fig. 37). Utilisez un outil de guide de profondeur (vendu séparément) pour vérifier ce réglage.
2. Chaque fois que vous limez la chaîne, vérifiez le réglage du guide de profondeur. Utilisez une lime plate et un gabarit (vendus séparément) pour abaisser tous les guides de façon uniforme (Fig. 38). Les gabarits sont disponibles en tailles allant de 0,5 mm à 0,9 mm (de 0.02 po à 0.035 po). Utilisez un gabarit de 0,6 mm (0.025 po).
3. Utilisez la lime plate pour régler les guides de profondeur dans la direction vers laquelle la gouge adjacente a été limée avec la lime ronde. Prenez soin de ne pas toucher le devant de la gouge avec la lime plate lorsque vous réglez les guides de profondeur.



RETOURNER LE GUIDE-CHAÎNE

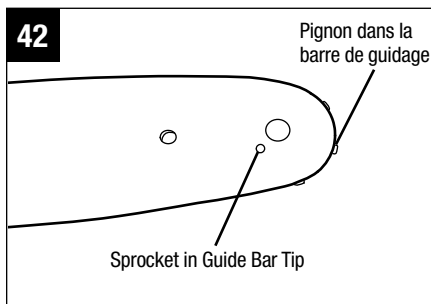
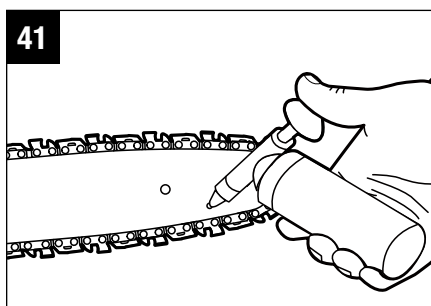
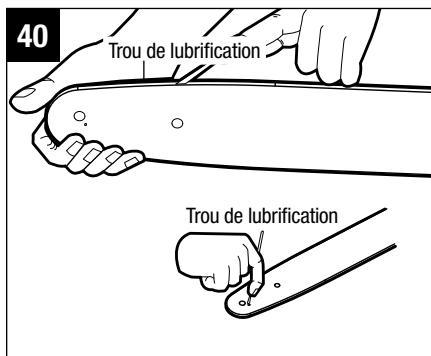
Lorsque le guide-chaîne présente des signes d'usure, démontez-le de l'ensemble moteur et remontez-le en inversant ses côtés (Fig. 39), ce qui aura pour effet de répartir son usure et d'optimiser sa durée de vie.



Vous devez nettoyer le guide-chaîne (y compris la rainure du guide-chaîne, le trou de lubrification) tous les jours où vous l'utiliser et vérifier l'absence d'usure ou de dommages (Fig. 40). L'amincissement ou l'apparition de bavures sur les parois de la rainure du guide-chaîne est un processus d'usure normal. De tels défauts doivent être limés dès leur apparition. Un guide-chaîne présentant n'importe lequel des défauts suivants doit être remplacé. Consultez la section « **REPLACER LE GUIDE-CHAÎNE ET LA CHAÎNE** » dans le présent manuel.

- Usure de l'intérieur des parois de la rainure du guide-chaîne, qui permet à la chaîne de se coucher sur le côté.
- Guide-chaîne tordu.
- Parois de la rainure fendues ou brisées.
- Parois de la rainure écartées.

L'extrémité du guide-chaîne est munie d'un pignon. Ce dernier doit être lubrifié toutes les semaines à l'aide d'une seringue à graisse afin de prolonger la vie utile du guide-chaîne (Fig.s 41 et 42). Tournez le pignon de renvoi lorsque vous injectez de la graisse dans le trou de lubrification jusqu'à ce que le pignon soit rempli de nouvelle graisse. N'introduisez pas de poussière dans le trou.



TRANSPORT ET ENTREPOSAGE

- Ne transportez ou ne remisez jamais la scie à chaîne lorsque le moteur tourne. Retirez toujours le bloc-pile lorsque vous l'entrezposez ou la transportez.
- Placez systématiquement la gaine sur le guide-chaîne et la chaîne avant de ranger ou de transporter la scie à chaîne.
- Nettoyez complètement la scie à chaîne avant de la ranger. Entrezposez la scie à chaîne à l'intérieur, dans un endroit sec fermé à clé ou auquel les enfants n'ont pas accès.
- Rangez-la à l'écart des agents corrosifs, comme des produits chimiques de jardinage ou des sels de déglçage.

DÉPANNAGE

PROBLÈME	CAUSE	SOLUTION
Le moteur ne tourne pas.	<ul style="list-style-type: none"> ■ Le bloc-pile n'est pas installé sur la scie à chaîne. ■ Il n'y a aucun contact électrique entre la scie à chaîne et le bloc-pile. ■ Le bloc-pile est déchargé. ■ La scie à chaîne ou le bloc-pile est trop chaud. ■ Le frein de la chaîne est actionné. ■ Débris dans la rainure du guide-chaîne. ■ Il y a des débris dans le panneau latéral. 	<ul style="list-style-type: none"> ■ Installez le bloc-pile sur la scie à chaîne. ■ Retirez le bloc-pile, vérifiez les contacts électriques et réinstallez le bloc-pile. ■ Chargez le bloc-pile. ■ Laissez la scie à chaîne ou le bloc-pile refroidir; leur température doit être inférieure à 67°C (152°F). ■ Tirez la poignée du frein à rebond de la chaîne vers l'arrière, vers la poignée avant. ■ Appuyez la chaîne sur le bois, déplacez la scie à chaîne d'avant en arrière pour décharger les débris. ■ Retirez le bloc-pile suivi du panneau latéral, puis enlevez les débris.
La scie à chaîne cesse de fonctionner lorsqu'elle est en marche.	<ul style="list-style-type: none"> ■ La scie à chaîne est surchargée. ■ La scie à chaîne ou le bloc-pile est trop chaud. ■ La chaîne de la scie est coincée dans l'arbre. 	<ul style="list-style-type: none"> ■ Réduisez la charge. ■ Laissez la scie à chaîne ou le bloc-pile refroidir; leur température doit être inférieure à 67 °C (152 °F). ■ Relâchez l'interrupteur, retirez la chaîne de la scie et le guide-chaîne du bois, puis remettez la scie à chaîne en marche.
Le moteur tourne, mais pas la chaîne.	<ul style="list-style-type: none"> ■ La chaîne n'est pas engagée dans le pignon d'entraînement. 	<ul style="list-style-type: none"> ■ Remontez la chaîne en suivant les indications de la section « REPLACER LE GUIDE-CHAÎNE ET LA CHAÎNE » en vous assurant que les maillons d'entraînement reposent entièrement sur le pignon.

PROBLÈME	CAUSE	SOLUTION
Le frein de la chaîne ne s'actionne pas.	<ul style="list-style-type: none"> ■ Des débris empêchent le mouvement complet de la poignée du frein à rebond de la chaîne. ■ Le frein de la chaîne fonctionne possiblement mal. 	<ul style="list-style-type: none"> ■ Retirez les débris du mécanisme externe de frein de la chaîne. ■ Communiquez avec le service à la clientèle d'EGO.
La scie à chaîne ne coupe pas correctement.	<ul style="list-style-type: none"> ■ La chaîne n'est pas suffisamment tendue. ■ La chaîne est émoussée. ■ La chaîne est installée à l'envers. ■ La chaîne est usée. ■ La chaîne est sèche ou excessivement étirée. 	<ul style="list-style-type: none"> ■ Desserrez d'abord le bouton de réglage rapide du tensionnage de la chaîne d'au moins deux tours dans le sens contraire des aiguilles d'une montre, puis serrez-le dans le sens des aiguilles d'une montre jusqu'à ce que la chaîne soit tendue de manière adéquate. ■ Affûtez les gouges de la chaîne en consultant la section « COMMENT AFFÛTER LES GOUGES ». ■ Réinstallez la chaîne de la scie en suivant les consignes de la partie intitulée « ASSEMBLER OU REMPLACER LE GUIDE-CHAÎNE ET LA CHAÎNE ». ■ Remplacez la chaîne en consultant la section « ASSEMBLER OU REMPLACER LE GUIDE-CHAÎNE ET LA CHAÎNE ». ■ Vérifiez le niveau d'huile. Remplissez le réservoir d'huile, au besoin.

PROBLÈME	CAUSE	SOLUTION
La chaîne tombe du guide-chaîne.	<ul style="list-style-type: none">■ La chaîne n'est pas suffisamment tendue.■ La chaîne n'engage pas le pignon d'entraînement.	<ul style="list-style-type: none">■ Desserrez d'abord le bouton de réglage rapide du tensionnage de la chaîne d'au moins deux tours dans le sens contraire des aiguilles d'une montre, puis serrez-le dans le sens des aiguilles d'une montre jusqu'à ce que la chaîne soit tendue de manière adéquate.■ Remontez la chaîne en suivant les indications de la section « REPLACER LE GUIDE-CHAÎNE ET LA CHAÎNE » en vous assurant que les maillons d'entraînement reposent entièrement sur le pignon.
La chaîne et le guide-chaîne sont chauds et produisent de la fumée.	<ul style="list-style-type: none">■ Le réservoir d'huile de la chaîne est vide.■ Il y a des débris dans la rainure du guide-chaîne.	<ul style="list-style-type: none">■ Remplissez le réservoir de lubrifiant du guide-chaîne et de la chaîne.■ Nettoyez la rainure.

GARANTIE

POLITIQUE D'EGO EN MATIÈRE DE GARANTIE

Garantie limitée de 5 ans sur les équipements d'alimentation électrique d'extérieur EGO POWER+ et les équipements d'alimentation électrique portable pour un usage personnel et domestique.

Garantie limitée de 3 ans sur les blocs-piles et chargeurs du système EGO POWER+ pour un usage personnel et domestique.

Garantie limitée de 2 ans/1 an sur les équipements d'alimentation électrique d'extérieur, les équipements d'alimentation électrique portables, les blocs-piles et les chargeurs EGO pour un usage professionnel et commercial.

La durée et les détails de la garantie de chaque produit sont indiqués en ligne à l'adresse <http://egopowerplus.com/pages/warranty-policy>.

Veillez communiquer avec le service à la clientèle d'EGO au 1 855 EGO-5656 (numéro sans frais) pour toute question sur les réclamations au titre de la garantie.

GARANTIE LIMITÉE

Les produits EGO sont garantis contre tout défaut de matériel ou de fabrication à compter de la date d'achat d'origine pour la période de garantie applicable. Les produits défectueux recevront une réparation gratuite.

- a) Cette garantie s'applique uniquement à l'acheteur initial s'étant procuré le produit chez un détaillant EGO autorisé et est non transférable. La liste des détaillants EGO autorisés est publiée en ligne sur le site <http://egopowerplus.com/pages/warranty-policy>.
- b) La période de garantie pour les produits remis en état ou certifiés par l'usine utilisés à des fins résidentielles est de 1 an, et de 90 jours lorsqu'ils sont utilisés à des fins industrielles, professionnelles ou commerciales.
- c) La période de garantie pour les pièces d'entretien régulier, y compris, sans s'y limiter, les lames, les têtes de taille-bordure, les guides-chaînes, les chaînes de scie, les courroies, les barres de raclage, les buses de souffleur, ainsi que tous les autres accessoires EGO, est de 90 jours lorsqu'elles sont utilisées à des fins résidentielles et de 30 jours lorsqu'elles sont utilisées à des fins industrielles, professionnelles ou commerciales. Ces pièces sont couvertes contre les défauts de fabrication pour une période de 90 jours ou de 30 jours si elles sont utilisées dans des conditions de travail normales.

- d) La présente garantie n'est pas valide si le produit a été utilisé aux fins de location.
- e) La présente garantie ne couvre pas les dommages résultant d'une modification, d'une altération ou d'une réparation non autorisée.
- f) Cette garantie couvre uniquement les défauts survenant dans des conditions normales d'utilisation et ne couvre aucun dysfonctionnement ou défaut ni aucune défaillance découlant d'un usage inapproprié ou abusif (notamment la surcharge du produit et son immersion dans l'eau ou dans tout autre liquide), d'un accident, d'une négligence, d'une installation inadéquate et de tout entretien ou entreposage inadéquat.
- g) La présente garantie ne couvre pas la détérioration normale du fini extérieur, notamment les rayures, les bosselures, les craquelures de la peinture ou toute corrosion ou décoloration résultant de la chaleur, de produits abrasifs ou de nettoyants chimiques.

RÉCLAMATION AU TITRE DE LA GARANTIE

Pour faire une réclamation au titre de la garantie, veuillez communiquer avec le service à la clientèle d'EGO au **1 855 EGO-5656** (numéro sans frais). Lorsque vous faites une réclamation au titre de la garantie, vous devez présenter le reçu de vente original. Un centre de service autorisé sera sélectionné pour la réparation du produit conformément aux conditions de garantie prescrites. Il se peut qu'un petit dépôt soit exigé lorsque vous laissez votre outil dans un centre de service autorisé. Ce dépôt est remboursable lorsque le service de réparation est considéré comme étant couvert par la garantie.

RESTRICTIONS SUPPLÉMENTAIRES

Dans la mesure permise par la loi en vigueur, toutes les garanties implicites, y compris les garanties de QUALITÉ MARCHANDE ou D'ADÉQUATION À UN USAGE PARTICULIER, sont exclues. Toute garantie implicite, y compris la garantie de qualité marchande ou d'adéquation à un usage particulier, qui ne peut être rejetée en vertu de la loi de l'État ou de la province est limitée à la période de garantie applicable définie au début de cet article.

Chervon North America n'est pas responsable des dommages accessoires, consécutifs, indirects ou directs.

Certaines provinces n'autorisent pas les restrictions de durée de garantie implicite, ou l'exclusion ou la restriction des dommages consécutifs et accessoires; c'est pourquoi les restrictions ci-dessus peuvent ne pas s'appliquer à votre cas.

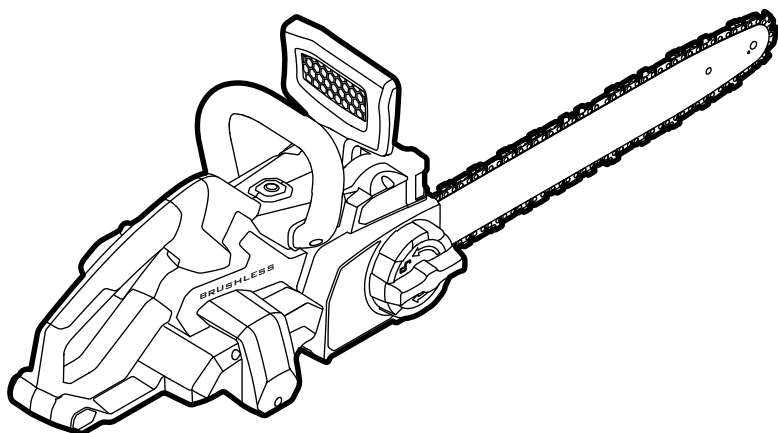
Cette garantie vous confère des droits précis. Il est possible que vous disposiez également d'autres droits, qui varient d'une province à l'autre.

Pour communiquer avec le service à la clientèle, veuillez composer le numéro sans frais suivant : **1 855 EGO-5656** ou consulter le site Web **EGOPOWERPLUS.COM**.

EGO Customer Service, 769 SEWARD AVE NW / Suite 102 Grand Rapids, MI 49504, États-Unis.

EGO™

POWER⁺ CHAIN SAW



**LLENE EL TANQUE DE ACEITE CON
ACEITE PARA ESPADA Y CADENA
ANTES DEL PRIMER USO**



MANUAL DEL USUARIO

MOTOSIERRA INALÁMBRICA 18 IN DE IONES DE LITIO DE 56 V

NÚMERO DE MODELO CS1800/CS1800-FC

⚠ ADVERTENCIA: Para reducir el riesgo de lesiones, el usuario debe leer y comprender el Manual del usuario antes de usar este producto. Guarde estas instrucciones para referencia futura.

ÍNDICE

Símbolos de seguridad	104
Instrucciones de seguridad	105-117
Glosario de términos	118
Introducción	119
Especificaciones	119-120
Lista de empaque	120
Descripción	121-123
Ensamblaje	124
Operación	125-137
Mantenimiento	138-146
Solución de problemas	147-149
Garantía	150-152

LEA TODAS LAS INSTRUCCIONES



LEA Y COMPRENDA EL
MANUAL DE INSTRUCCIONES

⚠ ADVERTENCIA: Algunos tipos de polvo que produce el corte con máquinas contienen sustancias químicas consideradas cancerígenas, o causantes de defectos de nacimiento u otros daños al aparato reproductor, por el Estado de California. Algunos ejemplos de estas sustancias químicas son:

- el plomo de pinturas a base de plomo;
- sílice cristalina de ladrillos, cemento y otros productos de mampostería; y
- arsénico y cromo de la madera tratada químicamente.

El riesgo de sufrir estas exposiciones varía, según la frecuencia con que haga este tipo de trabajo. Para reducir la exposición a estas sustancias químicas: trabaje en un lugar bien ventilado, y trabaje con equipos de seguridad aprobados, como mascarillas antipolvo que están diseñadas especialmente para filtrar partículas microscópicas.

SÍMBOLOS DE SEGURIDAD

El propósito de los símbolos de seguridad es llamar la atención a posibles peligros. Los símbolos de seguridad y sus explicaciones merecen una atención y comprensión minuciosas. Las advertencias de los símbolos, por sí mismas, no eliminan los peligros. Las instrucciones y las advertencias que hacen no sustituyen las medidas de prevención de accidentes que correspondan.

⚠ ADVERTENCIA: Asegúrese de leer y comprender todas las instrucciones de seguridad que contiene este Manual de operación, incluidos todos los símbolos de alerta de seguridad como “**PELIGRO**”, “**ADVERTENCIA**” y “**PRECAUCIÓN**” antes de usar esta herramienta. Si no se siguen todas las instrucciones que figuran a continuación se pueden producir electrocuciones, incendios y lesiones.

SIGNIFICADO DEL SÍMBOLO

⚠ SÍMBOLOS DE ALERTA DE SEGURIDAD: Indica **PELIGRO**, **ADVERTENCIA** o **PRECAUCIÓN**. Puede aparecer junto con otros símbolos o pictografías.



⚠ ADVERTENCIA: La utilización de herramientas eléctricas puede hacer ingresar objetos extraños en los ojos y provocar daños graves a estos órganos. Antes de comenzar a utilizar la herramienta eléctrica, colóquese siempre gafas de seguridad o anteojos de seguridad con protectores laterales y una máscara que cubra todo el rostro si es necesario. Recomendamos utilizar una máscara de seguridad de visión amplia sobre los anteojos o gafas de seguridad estándar con protectores laterales. Siempre use lentes de protección que cumplan con la norma ANSI Z87.1.

INSTRUCCIONES DE SEGURIDAD

Esta página muestra y describe los símbolos de seguridad que pueden aparecer en este producto. Lea, comprenda y siga todas las instrucciones de la máquina antes de ensamblarla y utilizarla.

	Alerta de seguridad	Indica un peligro potencial de producir lesiones.
	Lea el manual del operador.	Para reducir el riesgo de lesiones, el usuario debe leer el manual del operador.
	Use protección para los ojos	Al utilizar este producto, colóquese siempre gafas o anteojos de seguridad con protectores laterales y una máscara que cubra todo el rostro.
	Use protección para los oídos	El ruido de una motosierra puede dañar los oídos. Siempre use protección acústica (tapones para oídos u orejeras) para proteger sus oídos.
	Use protección para la cabeza	Use un casco de seguridad aprobado para protegerse la cabeza.
	Use guantes de protección	Protéjase las manos con guantes cuando manipule sierras y motosierras. Los guantes antideslizantes para trabajo pesado mejoran el agarre y protegen sus manos.
	Tenga cuidado con el efecto rebote.	Debe evitarse el contacto de la punta de la espada con cualquier objeto.
	Efecto rebote de la punta de la espada	El contacto de la punta puede hacer que la espada se mueva repentinamente hacia arriba y hacia abajo, lo que puede provocar lesiones graves.

	<p>Uso de las dos manos</p>	<p>Siempre use las dos manos al trabajar con la motosierra.</p>
	<p>Símbolos de reciclaje</p>	<p>Este producto usa baterías de iones de litio (Li-ion). Es posible que las leyes municipales, provinciales o nacionales prohíban desechar las baterías con los residuos comunes. Consulte a la autoridad local en materia de residuos sobre las opciones de eliminación y reciclaje disponibles.</p>
<p>IPX4</p>	<p>Nivel de Protección del Ingreso</p>	<p>Protección contra salpicaduras de agua</p>
	<p>Corriente continua</p>	<p>Tipo o característica de la corriente</p>
<p>V</p>	<p>Voltio</p>	<p>Voltaje</p>
<p>mm</p>	<p>Milímetro</p>	<p>Largo o tamaño</p>
<p>in.</p>	<p>Pulgada</p>	<p>Largo o tamaño</p>
<p>kg</p>	<p>Kilogramo</p>	<p>Peso</p>
<p>lb</p>	<p>Libra</p>	<p>Peso</p>
<p>ml</p>	<p>Mililitro</p>	<p>Volumen</p>
<p>fl.oz</p>	<p>Onza líquida</p>	<p>Volumen</p>
<p>°C</p>	<p>Celsius Temperatura</p>	<p>Temperatura</p>
<p>°F</p>	<p>Fahrenheit Temperatura</p>	<p>Temperatura</p>

ADVERTENCIAS DE SEGURIDAD GENERAL EN EL MANEJO DE HERRAMIENTAS ELÉCTRICAS QUE FUNCIONAN CON BATERÍAS

⚠ ADVERTENCIA lea todas las advertencias de seguridad, las instrucciones, las ilustraciones y las especificaciones que se incluyen esta herramienta eléctrica. No seguir todas las instrucciones que se detallan a continuación podría provocar descargas eléctricas, incendios o lesiones graves.

Guarde todas las advertencias e instrucciones para referencia futura.

La denominación “herramienta eléctrica” que se menciona en las advertencias hace referencia a la herramienta eléctrica conectada a la red de suministro eléctrico (con cable) o a la herramienta eléctrica a batería (inalámbrica).

SEGURIDAD EN EL ÁREA DE TRABAJO

- **Mantenga el área de trabajo limpia y bien iluminada.** Las áreas desordenadas u oscuras aumentan las posibilidades de accidentes.
- **No utilice herramientas eléctricas en atmósferas en las que exista riesgo de explosión, como por ejemplo en presencia de líquidos inflamables, gases o polvo.** Las herramientas eléctricas producen chispas que podrían encender el polvo o el humo.
- **Mantenga a los niños y transeúntes alejados mientras opera una herramienta eléctrica.** Las distracciones pueden hacer que pierda el control.

SEGURIDAD PERSONAL

- **Manténgase alerta, preste atención a lo que hace y utilice el sentido común cuando utilice una herramienta eléctrica. No utilice una herramienta eléctrica si está cansado o bajo los efectos de drogas, alcohol o medicamentos.** Un momento de desatención mientras opera herramientas eléctricas puede provocar lesiones personales graves.
- **Siempre utilice un equipo de protección personal.** Los equipos de protección, como lentes de protección, mascarillas antipolvo, zapatos de seguridad antideslizantes, cascos protectores o auriculares de seguridad, utilizados para condiciones adecuadas, disminuyen las lesiones personales.
- **Evite un arranque accidental. Asegúrese de que el interruptor esté en la posición de apagado antes de conectar la herramienta al paquete de baterías, levantarla o transportarla.** Transportar herramientas eléctricas con el dedo en el interruptor o enchufar herramientas eléctricas que tienen el interruptor encendido aumenta las posibilidades de accidentes.
- **Retire todas las llaves de ajuste o llaves inglesas antes de encender la herramienta eléctrica.** Si se deja una llave inglesa o una llave conectada a una pieza en movimiento de la herramienta eléctrica, se pueden producir lesiones personales.

- **No se extienda demasiado. Mantenga una postura y un equilibrio adecuados en todo momento.** Esto le permitirá tener un mejor control de la herramienta eléctrica en situaciones inesperadas.
- **Use ropa adecuada. No use ropa holgada ni joyas. Mantenga el cabello y la ropa alejados de las piezas en movimiento.** La ropa holgada, las joyas o el cabello largo pueden quedar atrapados en las piezas en movimiento.
- **Si se proporcionan dispositivos para la conexión de instalaciones de extracción y recolección de polvo, asegúrese de que se conecten y se usen debidamente.** La recolección de polvo puede disminuir los peligros relacionados con el polvo.
- **No permita que la familiaridad del uso frecuente de las herramientas lo haga no tener en cuenta los principios de seguridad en el manejo de las herramientas.** Un descuido puede ocasionar una lesión grave en cuestión de segundos.

USO Y CUIDADO DE LAS HERRAMIENTAS ELÉCTRICAS

- **No fuerce la herramienta eléctrica. Utilice la herramienta eléctrica adecuada para su tarea.** La herramienta eléctrica adecuada realizará un trabajo más seguro y de mejor calidad al ritmo para el que fue diseñada.
- **No utilice la herramienta eléctrica si el interruptor no la enciende o apaga.** Cualquier herramienta eléctrica que no pueda controlarse con el interruptor es peligrosa y debe repararse.
- **Si es posible, retire el paquete de baterías de la herramienta eléctrica o active cualquier dispositivo que bloquee la batería antes de retirar material atascado, realizar ajustes, cambiar accesorios, limpiar o almacenar herramientas eléctricas.** Este tipo de medidas de seguridad preventivas reduce el riesgo de arranques accidentales de la herramienta eléctrica.
- **Almacene las herramientas eléctricas que no estén en uso fuera del alcance de los niños y no permita que personas no familiarizadas con la herramienta o estas instrucciones la operen.** Las herramientas eléctricas son peligrosas en manos de usuarios sin capacitación.
- **Realice mantenimiento a las herramientas eléctricas y a los accesorios. Revise si hay piezas móviles desalineadas o torcidas, si hay piezas rotas y cualquier otra condición que pueda afectar el funcionamiento de la herramienta eléctrica. Si se daña la herramienta eléctrica, hágala reparar antes de usarla.** Muchos accidentes son producto del mantenimiento incorrecto de las herramientas eléctricas y los accesorios.

- **Mantenga las herramientas de corte afiladas y limpias.** Las herramientas de corte que se mantienen adecuadamente, con sus bordes de corte afilados, tienen menos riesgo de trabarse y son más fáciles de controlar.
- **Use la herramienta eléctrica, los accesorios, las brocas, etc., de acuerdo con estas instrucciones, teniendo en cuenta las condiciones de trabajo y el trabajo que realizará.** El uso de la herramienta eléctrica para diferentes funciones distintas a las previstas podría crear una situación de peligro.
- **Mantenga las manijas y las superficies de agarre secas, limpias y sin aceite ni grasa.** Las manijas y superficies de agarre húmedas pueden provocar una manipulación insegura o la pérdida de control de la herramienta.

USO Y CUIDADO DE LA HERRAMIENTA A BATERÍA

- **Recargue el paquete de baterías solo con el cargador especificado por el fabricante.** Un cargador adecuado para un tipo de paquete de baterías puede crear un riesgo de incendio cuando se usa con otro paquete de baterías. Use solamente con los paquetes de batería y los cargadores que se indican a continuación:
- **Use las herramientas eléctricas solo con los paquetes de baterías específicamente designados para ellas.** El uso de cualquier otro paquete de baterías puede crear un riesgo de lesión e incendio.
- **Cuando el paquete de baterías no está en uso, aléjelo de objetos metálicos, como sujetapapeles, monedas, llaves, clavos, tornillos u otros objetos metálicos pequeños que pudieran crear una conexión entre los terminales.** Es posible que conectar los terminales de la batería entre sí produzca quemaduras o un incendio.
- **En condiciones de maltrato, es posible que salga líquido de la batería. Evite el contacto. Si se produce un contacto accidental, enjuague con agua. Si el líquido entra en contacto con los ojos, solicite atención médica adicional.** El líquido que sale de la batería puede provocar irritación o quemaduras.
- **No utilice un paquete de baterías ni una herramienta si están dañadas o modificadas.** Las baterías dañadas o modificadas pueden mostrar una conducta impredecible que podría provocar incendios, explosiones o riesgo de lesiones.
- **No exponga el paquete de baterías ni la herramienta al fuego o a una temperatura excesiva.** La exposición al fuego o a temperaturas por encima de los 265 °F (130 °C) puede causar una explosión.

- **Siga todas las instrucciones de carga y no cargue el paquete de baterías ni las herramientas fuera del rango de temperatura especificado en las instrucciones.** La carga inadecuada o a temperaturas fuera del rango especificado podría dañar la batería y aumentar el riesgo de incendio.

MANTENIMIENTO

- **Permita que solo una persona capacitada repare la herramienta eléctrica, mediante el uso solo de piezas de repuesto idénticas.** Esto mantendrá la seguridad de la herramienta eléctrica.
- **Nunca realice mantenimiento a los paquetes de baterías.** Solo el fabricante o proveedores de servicio autorizados pueden realizar el mantenimiento de los paquetes de baterías.

ADVERTENCIA DE SEGURIDAD DE LA MOTOSIERRA

- **Mantenga todas las partes del cuerpo alejadas de la cadena de la motosierra cuando la esté utilizando. Antes de hacer arrancar la motosierra, asegúrese de que no esté en contacto con ningún objeto.** En apenas un momento de distracción al utilizar una motosierra se puede atorar la ropa o el cuerpo con la cadena.
- **Siempre sostenga la motosierra con la mano derecha sobre la empuñadura posterior y la mano izquierda sobre la empuñadura frontal.** Si sostiene la motosierra al revés, es mayor el riesgo de sufrir lesiones. Nunca lo haga.
- **Sostenga la herramienta eléctrica solo de las superficies de agarre aisladas, porque la cadena de la motosierra puede entrar en contacto con el cableado que está oculto.** Si la cadena de la motosierra entra en contacto con un cable energizado, pueden energizarse las piezas metálicas expuestas de la herramienta eléctrica y puede electrocutarse el usuario.
- **Use gafas de seguridad y protección auditiva. Se recomienda también el uso de equipos de protección para la cabeza, las manos, las piernas y los pies.** El uso de la ropa protectora correspondiente reduce el riesgo de sufrir lesiones causadas por el material despedido o por el contacto accidental con la cadena de la motosierra.
- **No utilice la motosierra arriba de un árbol.** Si utiliza la motosierra arriba de un árbol, puede sufrir lesiones graves.

- **Siempre manténgase bien parado y utilice la motosierra solo si usted se encuentra sobre una superficie estable, segura y nivelada.** Las superficies resbaladizas o inestables como las escaleras pueden provocar la pérdida de equilibrio o del control de la motosierra.
- **Al cortar ramas sometidas a tensión, esté atento al efecto látigo.** Cuando se libera la tensión de las fibras de la madera, la rama tensa puede golpear al usuario o hacer descontrolar la motosierra
- **Sea extremadamente precavido al cortar maleza y árboles jóvenes.** Las ramas delgadas pueden quedar atrapadas con la cadena de la motosierra y golpear al usuario o hacerlo perder el equilibrio.
- **Transporte la motosierra apagada y tomándola de la empuñadura frontal, lejos del cuerpo. Al transportar o guardar la motosierra, siempre coloque la cubierta de la espada.** La manipulación correcta de la motosierra reduce la probabilidad de que se haga contacto de forma accidental con la cadena de la motosierra en movimiento.
- **Siga las instrucciones para la lubricación, la tensión de la cadena y el cambio de accesorios.** Si la cadena no tiene la tensión o la lubricación correctas, aumenta el riesgo de que se produzca el efecto rebote o una avería en la herramienta.
- **Corte solo madera. No use la motosierra para fines que no sean los previstos. Por ejemplo: no use la motosierra para cortar metal, plástico, mampostería o materiales de construcción que no sean de madera.** El uso de la motosierra en operaciones que no son las previstas puede producir una situación de peligro.
- **No intente talar un árbol hasta haber entendido cuáles son los riesgos y cómo evitarlos.** El operador o los transeúntes pueden sufrir lesiones graves durante la tala de un árbol.

CAUSAS DEL EFECTO REBOTE Y PREVENCIÓN POR PARTE DEL USUARIO

El efecto rebote puede producirse cuando la punta de la espada toca un objeto, o cuando la madera se cierra y pellizca la cadena de la motosierra en el corte.

El contacto de la punta, en algunos casos, puede producir una reacción repentina hacia atrás, es decir, la espada salta hacia arriba y hacia el usuario.

Cuando la cadena de la motosierra pellizca a lo largo de la parte superior de la espada, puede empujar la espada rápidamente hacia el usuario.

Cualquiera de estas reacciones puede hacerlo perder el control de la motosierra y sufrir lesiones graves. No confíe exclusivamente en los mecanismos de seguridad que posee la motosierra.

El efecto rebote se produce como resultado del uso indebido, o de la aplicación de procedimientos de operación incorrectos o de condiciones de trabajo inadecuadas, y puede evitarse si se toman las precauciones correspondientes que se mencionan a continuación:

- **Mantenga un agarre firme, rodeando con todos los dedos las empuñaduras de la motosierra, con ambas manos sobre ella, y posicione su cuerpo y su brazo de modo que le permita resistir las fuerzas de rebote.** El usuario puede controlar las fuerzas de rebote si toma las precauciones que corresponden.
- **No suelte la motosierra. No trate de llegar más allá de dónde alcanza y no corte por sobre la altura de su hombro.** Esto contribuye a evitar que la punta haga un contacto imprevisto y permite tener un mejor control de la motosierra en situaciones inesperadas.
- **Use solo las espadas y cadenas de repuesto que especifica el fabricante.** Si utiliza espadas y cadenas de repuesto que no son las indicadas, puede averiarse la cadena y producirse el efecto rebote.
- **Siga las instrucciones del fabricante para afilar y realizar el mantenimiento de la cadena de la motosierra.** Si disminuye la altura del calibre de profundidad, se puede producir un efecto rebote mayor.

MECANISMOS DE SEGURIDAD DE ESTA MOTOSIERRA CONTRA EL EFECTO REBOTE

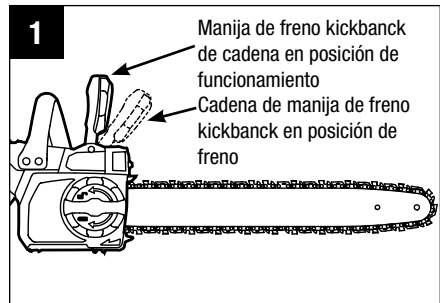
Cadena con freno

La motosierra viene equipada con un freno para la cadena, que detiene tanto el motor como el movimiento de la cadena cuando se produce el efecto rebote. El freno de la cadena puede activarse por el movimiento hacia delante de la empuñadura del freno contra rebote cuando la motosierra gira hacia atrás durante el efecto rebote; también puede activarse por las fuerzas inerciales que se generan con un movimiento rápido hacia atrás.

⚠ ADVERTENCIA: Nunca modifique ni intente inhabilitar el freno de la cadena.

Asegúrese de que el freno de la cadena funcione correctamente antes de utilizar la motosierra. La empuñadura del freno contra rebote de la cadena debe moverse hacia delante y hacia atrás con facilidad.

Para probar el funcionamiento del freno de la cadena, lleve a cabo los siguientes pasos (Fig. 1):



- Coloque la motosierra sobre una superficie plana despejada y asegúrese de que no haya objetos ni obstáculos cerca que pudieran entrar en contacto con la espada y la cadena.
- Desactive el freno de la cadena jalando de la empuñadura del freno contra rebote hacia la empuñadura frontal.
- Haga arrancar la motosierra.
- Empuje la empuñadura del freno contra rebote de la cadena hacia la parte frontal de la motosierra. Si el freno de mano funciona correctamente, detendrá el movimiento de la cadena de inmediato. Si el freno de la cadena no funciona correctamente, no use la motosierra hasta que la haya reparado un técnico de servicio calificado.

⚠ ADVERTENCIA: Confirme que el freno de la cadena funcione correctamente antes de cada uso.

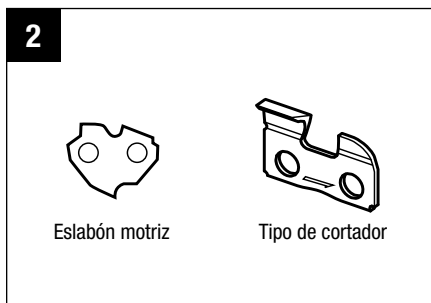
⚠ ADVERTENCIA: Si el freno de la cadena está atascado con astillas de madera, su función puede verse afectada. Mantenga el mecanismo siempre limpio.

Cadena de bajo rebote

La parte frontal de cada eslabón cortante (talones de profundidad) pueden minimizar la fuerza de la reacción de rebote evitando que los eslabones cortantes se introduzcan a demasiada profundidad en la zona de rebote. Use solo una cadena de repuesto que sea equivalente a la cadena original o que haya sido certificada como cadena de bajo rebote según la norma ANSI B175.1. Una cadena para motosierra con dientes de bajo rebote es una cadena que cumple con los requisitos de rendimiento en rebote de la norma ANSI B175.5 - 1991 (norma nacional estadounidense sobre herramientas eléctricas; requisitos de seguridad para motosierras a gasolina y eléctricas) al someterse a pruebas en la muestra representativa de motosierras por debajo de las 3,8 pulg. cúbicas de desplazamiento especificadas en ANSI B175.1-1991.

El eslabón motriz del protector (Fig. 2) también ayuda a ofrecer un rendimiento de bajo contragolpe.

⚠ PRECAUCIÓN: A medida que se afilan las cadenas de motosierras durante su vida útil, pierden parte de las cualidades de bajo rebote, por lo que deben tomarse precauciones adicionales al utilizarlas.

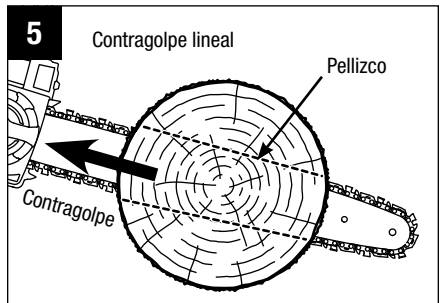
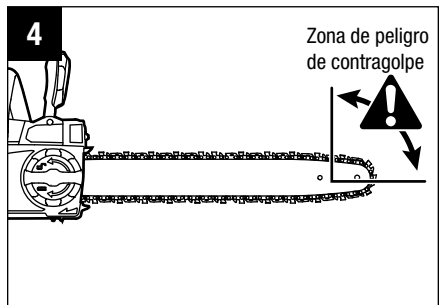
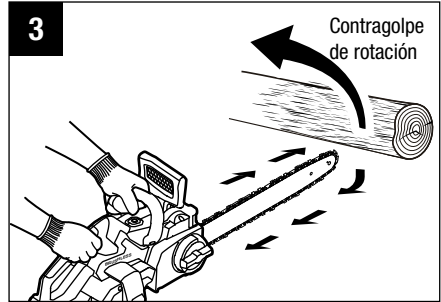


ESPADA

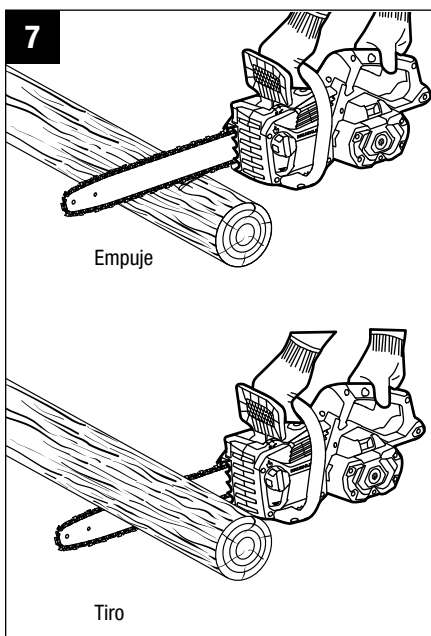
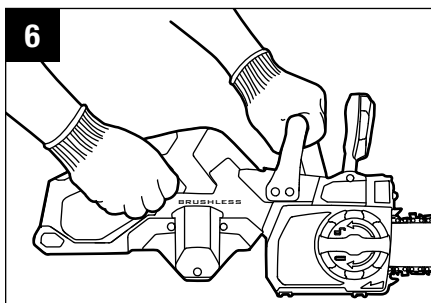
Esta motosierra viene equipada con una espada cuya punta tiene un radio pequeño. Las puntas de radios pequeños generalmente presentan un potencial menor de rebote. Al reemplazar la espada, asegúrese de solicitar la espada especificada en este manual.

ADVERTENCIAS ADICIONALES

- **Si tiene una comprensión básica del contragolpe (Fig. 3-5), puede reducir o eliminar el elemento sorpresa.** La sorpresa repentina contribuye a que se produzcan accidentes.
- **Asegúrese de que el área donde está cortando esté libre de obstáculos.** No deje que la punta de la espada haga contacto con troncos, ramas, cercas ni ningún otro obstáculo que pudiera golpear al utilizar la motosierra.
- **Inspeccione la pieza de trabajo para verificar que no tenga clavos, cables ni ningún otro objeto extraño antes de cortarla.**
- **Planifique el trabajo y asegúrese de que el área de trabajo esté libre de obstáculos. Si se trata de la tala de árboles, debe haber al menos una vía de escape del árbol al caer.**
- **Al talar árboles, las personas cercanas deben mantenerse a una distancia equivalente al doble de la longitud del árbol, como mínimo.**
- **Mantenga el equilibrio y una postura adecuada en todo momento.**



- **Las motosierras deben usarse con las dos manos.** Si se usan con una sola mano, el operador, los ayudantes o los transeúntes pueden sufrir lesiones graves (Fig. 6).
- **Siempre corte con la máquina a velocidad plena.** Presione el gatillo interruptor a fondo y mantenga la velocidad de corte.
- **Tiro y empuje:** la fuerza de reacción siempre es opuesta a la dirección en que se mueve la cadena donde hace contacto con la madera. Por lo tanto, el operador debe estar preparado para controlar el movimiento de TIRO cuando está cortando con el borde inferior de la espada y el movimiento de EMPUJE cuando está cortando con el borde superior (Fig. 7).
- **Evite el contacto accidental con la cadena de la motosierra estática o los rieles de la espada.** Estas pueden ser muy filosas. Siempre use guantes y pantalones largos o chaparreras al manipular la motosierra, la cadena de la motosierra o la espada.
- **Nunca utilice una motosierra si está dañada o ajustada incorrectamente, o si no está ensamblada de forma completa y segura.** Asegúrese de que la motosierra se detenga al soltar el gatillo interruptor.
- **Al leñar, asegure la pieza de trabajo antes de cortarla. Al talar o podar árboles, identifique y asegure las ramas peligrosas.**



- **Si se usa la motosierra indebidamente o se abusa al cortar el material, se puede producir el desgaste prematuro de la espada, la cadena o el piñón, además de que puede averiarse la cadena o la espada y producirse el efecto de contragolpe, despedirse la cadena o dispararse el material.**
- **Nunca use la espada como palanca.** Si la espada está doblada, se puede producir el desgaste prematuro de la espada, la cadena o el piñón, además de que puede averiarse la cadena o la espada y producirse el efecto de contragolpe, despedirse la cadena o dispararse el material.
- **Corte solo una pieza de trabajo a la vez.**
- **Use solamente los paquetes de baterías y los cargadores que se indican a continuación:**

PAQUETE DE BATERÍA	CARGADOR
BA1120, BA1120-FC, BA1400, BA1400-FC, BA2240, BA2240-FC, BA2800, BA2800-FC, BA4200, BA4200-FC, BA1400T, BA1400T-FC, BA2800T, BA2800T-FC, BA4200T, BA4200T-FC	CH2100, CH2100-FC, CH5500, CH5500-FC

- **No cargue el paquete de baterías en la lluvia o en lugares húmedos.**
- **Si se presentan situaciones que no menciona este manual, proceda con precaución y buen juicio. Póngase en contacto con el Departamento de Servicio al Cliente de EGO si necesita ayuda.**

GUARDE ESTAS INSTRUCCIONES.

GLOSARIO

Aceitador automático: sistema que lubrica automáticamente la espada y la cadena de la motosierra.

Leñar: acción de cortar transversalmente un árbol talado o un tronco en segmentos menores.

Púas para leñar: diente o dientes con punta que se usan al talar un árbol o leñar para hacer pivotar la motosierra y mantener la posición al cortar.

Freno para la cadena: mecanismo que se usa para detener de inmediato la cadena de la motosierra.

Cabezal motor de la motosierra: motosierra sin la cadena ni la espada.

Piñón de transmisión: pieza dentada que impulsa la cadena de la motosierra.

Talar: acción de cortar por el pie un árbol.

Corte posterior (al talar): corte final al talar un árbol que se hace del lado opuesto a la muesca inicial.

Rebote (efecto rebote): movimiento de la espada hacia atrás o hacia arriba, o en ambas direcciones, que se produce cuando la cadena de la motosierra cerca de la punta del área superior de la espada entra en contacto con algún objeto, como un tronco o una rama, o cuando la madera se cierra y pellizca la cadena en el corte.

Cadena de bajo rebote: cadena que cumple con los requisitos de rendimiento en rebote de la norma ANSI B175.1 al someterse a pruebas en una muestra representativa de motosierras.

Posición normal de corte: se asume que el usuario adoptará esta posición al realizar cortes para talar o leñar.

Muesca inicial: corte con forma de muesca que dirige la caída del árbol.

Espada de efecto rebote reducido: espada que ha demostrado reducir el efecto rebote considerablemente.

INTRODUCCIÓN

Felicitaciones por elegir una motosierra eléctrica de iones de litio de 56 V de última generación. Está pensada, diseñada y fabricada para brindarle el mejor rendimiento y confiabilidad posibles.

En caso de que tuviera algún problema que no pudiera resolver fácilmente, póngase en contacto con el Centro de Servicio al Cliente de EGO al 1-855-EGO-5656.

Este manual contiene información importante para el ensamblaje, la operación y el mantenimiento seguro de su motosierra. Léalo atentamente antes de usar la motosierra.

Mantenga este manual a mano para poder consultarlo en cualquier momento.

NÚMERO DE SERIE _____	FECHA DE COMPRA _____
DEBE ANOTAR EL NÚMERO DE SERIE Y LA FECHA DE COMPRA, Y CONSERVARLOS EN UN LUGAR SEGURO PARA CONSULTARLOS EN EL FUTURO.	

ESPECIFICACIONES

Voltaje	56 V CC
Longitud de la espada	18" (450mm)
Paso de la cadena	3/8" (9.5mm)
Calibre de la cadena	0.050" (1.3mm)
Tipo de cadena	91PX062X
Tipo de espada	180SDEA041
Capacidad del depósito de aceite de la cadena	7 oz. (200 ml)
Temperatura de funcionamiento recomendada	-15°C-40°C(5°F-104°F)
Temperatura de almacenamiento recomendada	-20°C-70°C(-4°F-158°F)
Peso neto (sin paquete de baterías y funda de la cadena)	9.7 lbs. (4.4 kg)

Espada y cadena recomendadas para esta motosierra

NOMBRE DE LA PIEZA	TIPO	NÚMERO DE MODELO
Espada	180SDEA041 (Recomendado)	AG1800(Recomendado)
	164MLEA041(Compatible)	AG1600(Compatible)
	144MLEA041(Compatible)	AG1400(Compatible)
Cadena de la motosierra	91PX062X(Recomendado)	AC1800(Recomendado)
	90PX056X(Compatible)	AC1600(Compatible)
	90PX052X(Compatible)	AC1400(Compatible)

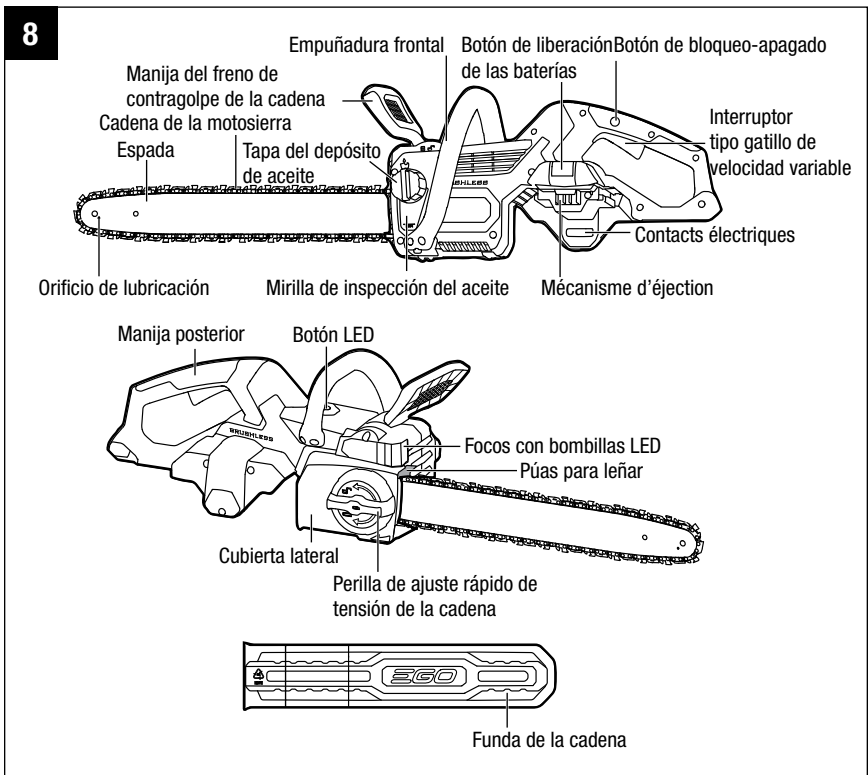
LISTA DE EMPAQUE

NOMBRE DE LA PIEZA	QUANTITY
Motosierra	1
Funda de la cadena	1
Manual del usuario	1

DESCRIPCIÓN

CONOZCA SU MOTOSIERRA (Fig. 8)

El uso seguro de este producto requiere la comprensión de la información impresa en la herramienta y en el Manual del usuario, así como ciertos conocimientos sobre el proyecto a realizar. Antes de usar este producto, familiarícese con todas las características operativas y reglas de seguridad.



Conozca su motosierra

El uso seguro de este producto requiere que se comprenda la información que figura en la herramienta y en este manual del usuario, además del conocimiento del proyecto que desea llevar a cabo. Antes de usar este producto, familiarícese con todas las características operativas y reglas de seguridad.

Interruptor tipo gatillo de velocidad variable

Enciende y apaga la motosierra y ajusta la velocidad de la cadena.

Botón de desbloqueo

Contribuye a evitar la activación accidental o no autorizada del gatillo interruptor. Debe liberarse antes de activar el gatillo interruptor.

Tapa del depósito de aceite

Cierra el depósito de aceite.

Mirilla de inspección del aceite

Permite ver el nivel de aceite del depósito de aceite.

Cadena de la motosierra

Cadena circular con dientes filosos que cortan la madera al circular alrededor de la espada impulsada por el cabezal motor.

Funda de la cadena

La funda de la cadena evita que el usuario entre en contacto con los filos cortantes de la cadena cuando la herramienta no se está utilizando. También evita que los filos de la cadena se mellen o dañen cuando se transporta la herramienta o cuando está guardada.

Espada

Sostiene y guía la cadena.

Empuñadura frontal

Empuñadura de apoyo para la mano izquierda en la parte frontal de la motosierra.

Manija posterior

Manija de apoyo para la mano derecha, ubicada en la parte posterior de la motosierra. **Siempre sostenga la motosierra con la mano derecha en la manija posterior y la mano izquierda en la manija frontal.**

Perilla de ajuste rápido de tensión de la cadena

Permite ajustar rápidamente la tensión de la cadena sin ayuda de un dispositivo auxiliar.

Cubierta lateral

Cubre el piñón de la cadena y asegura la espada.

Botón de liberación de la batería

Presione para liberar el paquete de batería de la herramienta.

Mecanismo de eyección

Ayuda para retirar la batería.

Focos con bombillas LED

Los focos con bombillas LED están ubicados en el frente del cabezal de potencia de la motosierra. Esta característica permite suministrar más luz para una mayor visibilidad y se puede ajustar en dos niveles de brillo.

Botón LED

Encendido o apagado de los focos con bombillas LED. Presione el botón LED una vez y los focos se encenderán con un brillo de nivel 1. Presione el botón LED nuevamente y las luces se encenderán con más brillo: nivel 2. Los focos con bombillas LED se apagarán luego de presionar el botón por tercera vez.

Púas para leñar

Dientes de metal con punta que se usan al talar un árbol o leñar para hacer girar la motosierra y mantener su posición, lo que impide el deslizamiento de la madera al cortar. Permite mejorar la eficiencia de corte.

ENSAMBLAJE

⚠ ADVERTENCIA: si hay piezas dañadas o faltan piezas, no utilice el producto hasta que las reemplace. Usar este producto con piezas dañadas o faltantes podría provocar lesiones personales graves.

⚠ ADVERTENCIA: No intente modificar este producto ni crear accesorios que no sean recomendados para utilizar con este producto. Cualquier alteración o modificación se considera un uso inapropiado y podría generar una condición peligrosa y provocar lesiones personales graves.

⚠ ADVERTENCIA: para evitar un arranque accidental, que puede causar lesiones graves personales, siempre retire el enchufe de la herramienta cuando no esté en uso o cuando esté ensamblando las piezas, realizando ajustes o limpiándola.

RETIRO DEL EMPAQUE

- Este producto requiere de ensamblado.
- Retire el producto y los accesorios de la caja cuidadosamente. Asegúrese de que todos los elementos que aparecen en la lista de empaque estén incluidos.
- Inspeccione cuidadosamente la herramienta para asegurarse de que no se produjo ninguna ruptura o daño durante su envío.
- No deseche el material de embalaje hasta que haya inspeccionado cuidadosamente y utilizado satisfactoriamente la herramienta.
- Si hay piezas faltantes o dañadas, devuelva este producto al lugar donde lo compró.

OPERACIÓN

⚠ ADVERTENCIA: No permita que estar familiarizado con este producto lo vuelva imprudente. Recuerde que un descuido de una fracción de segundo es suficiente para ocasionar lesiones graves.

⚠ ADVERTENCIA: Siempre use lentes de protección con protección lateral que cumpla con la norma ANSI Z87.1, junto con protección auditiva. De lo contrario, podría provocar que se disparen objetos hacia sus ojos y otras posibles lesiones graves.

⚠ ADVERTENCIA: No use ningún aditamento ni accesorio no recomendado por el fabricante de este producto, ya que esto podría provocar lesiones graves.

Antes de cada uso, inspeccione todo el producto en busca de piezas dañadas, faltantes o sueltas, como tornillos, tuercas, pernos, tapas, etc. Apriete bien todos los sujetadores y tapas, y no opere este producto hasta que se hayan reemplazado todas las piezas faltantes o dañadas.

APLICACIÓN

Puede usar este producto para talar, leñar, podar y cortar madera, tanto para construcción como directamente de los árboles.

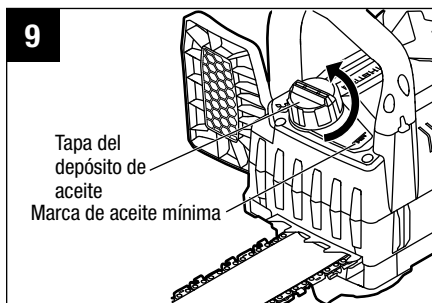
LLENADO DEL TANQUE DE ACEITE CON EL LUBRICANTE DE LA ESPADA Y LA CADENA

⚠ ADVERTENCIA: Para evitar el arranque accidental, que podría provocar lesiones graves, retire siempre el paquete de batería de la herramienta antes de llenar el tanque con aceite.

⚠ ADVERTENCIA: No fume ni acerque fuego o llamas al aceite ni a la motosierra. El aceite podría derramarse y causar un incendio.

AVISO: La motosierra no está llena con aceite al momento de la compra. Es esencial llenar el depósito con aceite antes de usarla. Si hace funcionar la motosierra sin el aceite para la cadena o con un nivel de aceite por debajo de la marca mínima, se puede dañar la motosierra. La vida útil de la cadena y la capacidad de corte dependen de que la lubricación sea óptima. La cadena se lubrica automáticamente con aceite durante el funcionamiento.

1. Retire el paquete de batería de la motosierra.
2. Limpie la tapa del depósito de aceite y el área circundante para asegurarse de que no caiga suciedad en el depósito de aceite.
3. Apoye la motosierra de lado sobre una superficie firme y plana, de modo que la tapa del depósito quede hacia arriba. Haga girar la tapa del depósito de aceite en dirección contraria a las manecillas del reloj para retirarla (Fig. 9).



4. Vierta cuidadosamente el aceite para la espada y la cadena en el depósito. El filtro que posee la abertura permite que el aceite caiga lentamente en el depósito; tenga precaución para que al aceite no se derrame por la abertura. Vierta aceite hasta la parte inferior del cuello del depósito. Limpie el excedente de aceite.
5. Vuelva a instalar la tapa, coloque la motosierra en posición vertical y controle el nivel a través de la mirilla de inspección. El aceite debe ocupar toda la mirilla.

AVISO:

- Use aceite para espada y cadena OREGON® a fin de obtener los mejores resultados. Está especialmente diseñado para generar poca fricción y permitir realizar cortes más rápidos.
- Nunca use aceite ni otros lubricantes que no estén diseñados específicamente para usarse sobre la espada y la cadena. Esto puede obstruir el sistema de aceite y causar el desgaste prematuro de la espada y la cadena.
- Controle el nivel de aceite con frecuencia y complételo cuando caiga por debajo de la línea del nivel mínimo. Nunca haga funcionar la motosierra si el aceite no está visible.
- No use aceites sucios, usados o contaminados. Se pueden dañar la espada y la cadena.
- Es normal que el aceite se filtre de la motosierra cuando no está en uso. Para evitar filtraciones, vacíe el depósito de aceite después de cada uso y haga funcionar la sierra durante un minuto. Cuando guarde la herramienta durante un período prolongado, asegúrese de que la cadena esté levemente lubricada; esto evitará que se oxiden la cadena y el piñón de la espada.

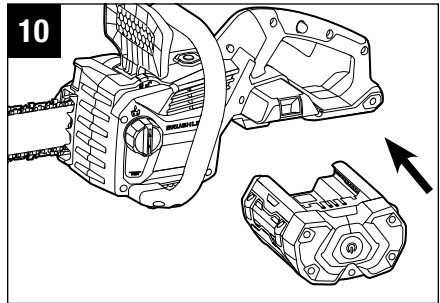
- Para preservar los recursos naturales, recicle o deseche el aceite como corresponde. Consulte a la autoridad local en materia de residuos para obtener información acerca de las opciones de reciclado o de desecho disponibles.

PARA INSTALAR/RETIRAR EL PAQUETE DE BATERÍA (Fig. 10 y 11)

AVISO: Cargue completamente el paquete de batería antes de usarlo por primera vez.

Para instalarlo (Fig. 10):

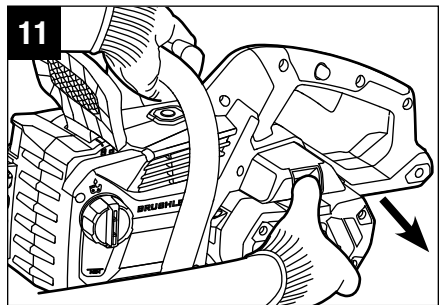
1. Alinee las aletas del paquete de batería con las muescas de montaje que se encuentran en el puerto de la batería de la motosierra.
2. Deslice el paquete de batería dentro de la herramienta hasta que calce a presión en su posición.



AVISO: Asegúrese de que el pasador de la motosierra encaje en su lugar y que el paquete de batería esté bien colocado en la herramienta antes de comenzar a trabajar.

Para retirarlo (Fig. 11):

⚠ ADVERTENCIA: Siempre tenga cuidado con la ubicación de sus pies, los niños o las mascotas cuando presione el botón de liberación de la batería. Se podrían provocar lesiones graves si se cae el paquete de batería. **NUNCA** retire el paquete de batería cuando esté en una ubicación alta.



1. Sostenga el paquete de batería en la palma de su mano.
2. Presione el botón de liberación de la batería con el pulgar, y el paquete de batería se separará del pasador.
3. Tome el paquete de batería y retírelo de la motosierra.

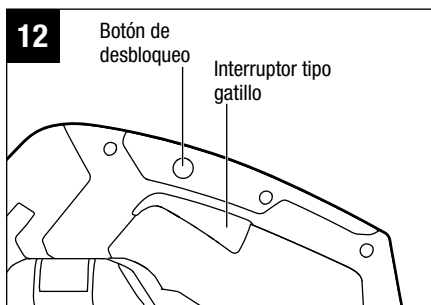
ENCENDIDO Y APAGADO DE LA MOTOSIERRA

Antes de hacer arrancar la motosierra:

1. Quite la batería al realizar los pasos que figuran a continuación.
2. Asegúrese de que la cadena esté colocada y tensada correctamente.
3. Revise la cubierta lateral para asegurarse de que se encuentre entre la espada y la cadena de la motosierra y que no esté suelta ni dañada.
4. Controle el nivel de aceite y llene el depósito si es necesario.
5. Revise el filo de los dientes de corte de la cadena de la motosierra.
6. Asegúrese de que la empuñadura del freno contra rebote de la cadena se mueva con facilidad hasta la posición de freno; luego, jale de ella hacia atrás hacia la empuñadura frontal hasta la posición operativa
7. Sostenga la motosierra con ambas manos: con la mano derecha en la manija posterior y la mano izquierda en la manija frontal.
8. Párese en posición recta y sostenga la motosierra en una posición relajada y asegúrese de que la cadena de la motosierra no toque el piso ni otros objetos.
9. Asegúrese de que la empuñadura del freno contra rebote de la cadena se mueva con facilidad hasta la posición de freno; luego, jale de ella hacia atrás hacia la empuñadura frontal hasta la posición operativa.

Para arrancar (Fig. 12)

1. Instale el paquete de batería.
2. Asegúrese de que no haya objetos u obstrucciones cerca que pudieran entrar en contacto con la espada y la cadena.
3. Jale de la empuñadura del freno contra rebote de la cadena hacia la empuñadura frontal hasta la posición operativa (ver Fig. 1).
4. Tome las empuñaduras frontal y posterior con firmeza, usando las dos manos



5. Mantenga presionado con el pulgar de la mano derecha el botón de desbloqueo, luego apriete el gatillo interruptor con los dedos de la mano derecha para hacer arrancar la motosierra. Suelte el botón de desbloqueo y continúe apretando el gatillo para que la máquina siga en funcionamiento.
6. Suelte el botón de desbloqueo y continúe apretando el interruptor tipo gatillo de velocidad variable para que siga en funcionamiento.

Para detener la motosierra (Fig. 12)

1. Aleje la motosierra del área de corte y luego suelte el gatillo interruptor para detenerla.
2. Empuje la empuñadura del freno contra rebote de la cadena hacia delante hasta la posición operativa para activar el freno de la cadena (ver Fig. 1).

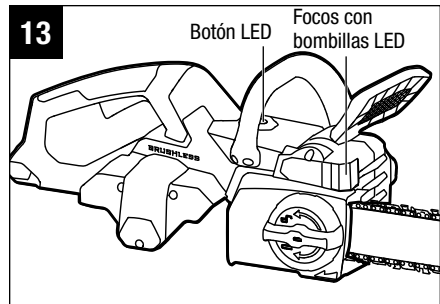
⚠ WARNING: Always remove the battery pack from the chain saw during work breaks and after finishing work.

FOCOS CON BOMBILLAS LED (Fig. 13)

Los focos con bombillas LED están ubicados en el frente del cabezal de potencia de la motosierra. Esta característica permite suministrar más luz para una mayor visibilidad y se puede ajustar en dos niveles de brillo.

Para encenderlos, presione el botón LED una vez. Los focos iluminan el área que se encuentra delante de la motosierra. Presione el botón LED una segunda vez y los focos se encenderán con más brillo.

Para apagarlos, presione el botón LED una tercera vez.



PREPARACIÓN PARA EL CORTE

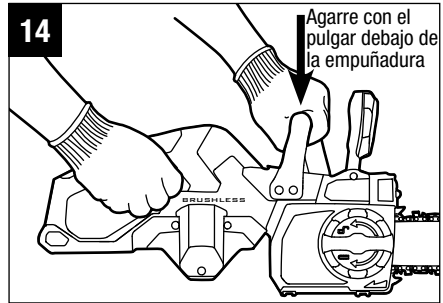
Consulte la sección “Instrucciones importantes de seguridad” en páginas previas de este manual para saber cuáles son los equipos de seguridad indicados.

Precauciones en el área de trabajo

- Corte solo madera y materiales hechos de madera; no corte chapa, plástico ni materiales de mampostería o materiales de construcción que no sean de madera.
- Nunca permita a los niños que utilicen la motosierra.
- No permita que utilice la motosierra ninguna persona que no haya leído este Manual de operación o que no haya recibido las instrucciones correspondientes para el uso correcto y seguro de la motosierra.
- Al talar un árbol, todas las personas (ayudantes, personas cercanas, niños) y animales deben mantenerse a una distancia segura del área de trabajo. Durante la tala de árboles, la distancia segura es el doble de la altura de los árboles más altos del área de tala como mínimo. Al leñar, mantenga una distancia mínima de 15 pies (4,5 m) entre los trabajadores. La tala de árboles debe hacerse de manera que no ponga en peligro a ninguna persona, ni golpee ninguna línea de la red eléctrica o cause daños materiales. Si un árbol entra en contacto con una línea de la red eléctrica, manténgase alejado del árbol y de la línea, y notifique a la empresa de energía inmediatamente.
- Siempre corte con ambos pies sobre suelo firme para evitar perder el equilibrio.
- No corte por sobre la altura del pecho, dado que si sostiene la motosierra a una altura mayor, es difícil controlar las fuerzas de rebote.
- No tale árboles cerca de cables eléctricos o edificios.
- Utilice la motosierra para cortar solo cuando la visibilidad y la luz sean suficientes para ver claramente.

Tome las empuñaduras con firmeza

- Use guantes antideslizantes para lograr el máximo agarre y protección.
- Con la motosierra sobre una superficie firme y plana, sosténgala con firmeza usando las dos manos.
- Tome siempre la empuñadura frontal con la mano izquierda y la empuñadura posterior con la mano derecha.
- Los dedos deben rodear la empuñadura, con el pulgar por debajo de la empuñadura frontal (Fig. 14).



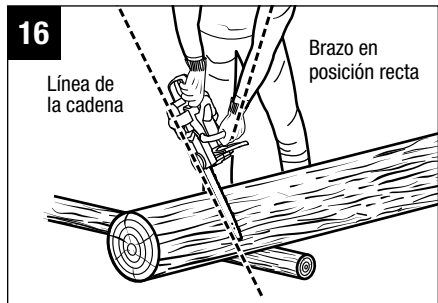
⚠ ADVERTENCIA: Nunca use las manos de forma cruzada (invertida) ni de ningún modo que deje su cuerpo o brazo en la línea de la cadena.

⚠ ADVERTENCIA: No accione el gatillo interruptor con la mano izquierda. Sostenga la empuñadura frontal con la mano derecha. Nunca deje que ninguna parte de su cuerpo quede en la línea de la cadena al utilizar la motosierra (Fig. 15).



Postura correcta de corte (Fig. 16)

- Los dos pies deben estar sobre suelo firme, con el peso repartido uniformemente entre ellos.
- El brazo izquierdo debe estar recto, con el codo trabado. Esto ayuda a resistir las fuerzas generadas por el rebote.
- El cuerpo siempre debe estar a la izquierda de la línea de la cadena.



CORTE

Corte básico

⚠ ADVERTENCIA: Siempre asegúrese de estar bien parado y sostenga la motosierra con firmeza, usando las dos manos cuando el motor esté en funcionamiento.

Practique cortar pequeños troncos usando la siguiente técnica para familiarizarse con la sensación de usar la motosierra antes de comenzar con un procedimiento mayor.

1. Adopte la postura correcta delante de la madera con la motosierra apagada.
2. Presione el botón de desbloqueo y apriete el gatillo para que la motosierra arranque. Deje que la cadena alcance la velocidad plena antes de comenzar a cortar.
3. Comience a cortar presionando levemente la espada contra la madera. Haga apenas una leve presión, dejando que la motosierra haga el trabajo.
4. Mantenga una velocidad constante durante todo el corte, liberando la presión justo antes del final del corte.
5. Suelte el gatillo en cuanto finalice el corte, y deje que la cadena se detenga.

⚠ ADVERTENCIA: Si la cadena de la motosierra se detiene porque ha pellizcado el material durante el corte, suelte el gatillo interruptor; retire la motosierra y la espada de la madera. Luego, haga arrancar nuevamente la herramienta.

⚠ ADVERTENCIA: No jale la motosierra con la mano cuando se atasca con aserrín. Se podrían provocar lesiones graves si la motosierra arranque inesperadamente. Presione la cadena contra la madera, mueva la motosierra hacia adelante y hacia atrás para descargar los residuos. Siempre retire el paquete de batería antes de limpiar. Use guantes de protección cuando manipule la motosierra.

⚠ ADVERTENCIA: Nunca haga arrancar la motosierra cuando está en contacto con la madera. Siempre deje que la motosierra alcance la velocidad plena antes de aplicar la sierra para la madera.

TALA DE ÁRBOLES

Condiciones peligrosas

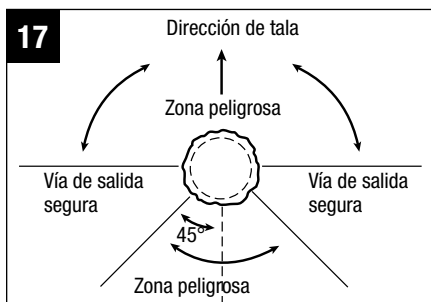
⚠ ADVERTENCIA: Al talar un árbol, es importante respetar las siguientes advertencias para evitar posibles lesiones graves.

- No tale árboles durante períodos de mucho viento o lluvias copiosas. Espere hasta que pase el clima peligroso.
- No tale árboles que estén inclinados en ángulos extremos ni árboles grandes con ramas podridas, corteza suelta o troncos huecos. En lugar de esto, haga empujar o arrastrar hacia abajo estos árboles con maquinaria pesada y córtelos.
- No tale árboles cerca de cables eléctricos o edificios.
- Verifique que el árbol no tenga ramas dañadas o muertas que podrían caerse y golpearlo al talarlo.
- Mire de cuando en cuando la copa del árbol durante el corte posterior para asegurarse de que vaya a caer en la dirección deseada.
- Si el árbol comienza a caer en una dirección no deseada o si la motosierra queda atrapada o colgada durante la caída, déjela y protéjase usted.

Preparación para la tala de árboles

- Cuando dos personas o más se encuentran trabajando a la vez, talando un árbol y leñando, los trabajos deben estar separados por una distancia equivalente al doble de la altura del árbol que se está talando, como mínimo. La tala de árboles debe hacerse de manera que no ponga en peligro a ninguna persona, no golpee ninguna línea de la red eléctrica ni cause daños materiales. Si un árbol entra en contacto con una línea de la red eléctrica, manténgase alejado del árbol y de la línea, y notifique a la empresa de energía inmediatamente.
- El usuario de la motosierra debe pararse en un lado más elevado del terreno, dado que es probable que el árbol ruede o se deslice pendiente abajo después de talarse.

- Antes de comenzar un corte, planee una vía de escape (o varias, en caso de que la vía prevista esté obstruida). Despeje el área circundante inmediata al árbol y asegúrese de que no haya obstáculos en las vías previstas de salida. Despeje una vía de salida segura a aproximadamente 135° de la línea prevista de caída. La vía de salida debe extenderse hacia atrás y diagonalmente en la parte posterior de la línea prevista de caída. Vea la figura 17.



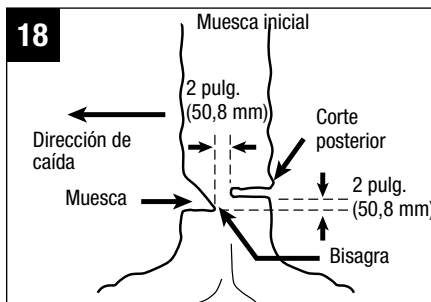
- Antes de comenzar a talar, tenga en cuenta la inclinación natural del árbol, la ubicación de las ramas más grandes y la dirección del viento para determinar en qué dirección caerá el árbol.
- Retire la suciedad, las piedras, la corteza suelta, los clavos, las grapas y los cables del árbol en el lugar donde se harán los cortes para talarlo.

Muesca inicial

Haga la muesca de un tercio del diámetro del árbol, perpendicular a la dirección de la caída, como se muestra en la Fig. 18. Haga primero el corte horizontal inferior de la muesca. Esto contribuye a evitar que la cadena o la espada de la motosierra pellizquen la madera cuando se haga el segundo corte.

Corte posterior (al talar)

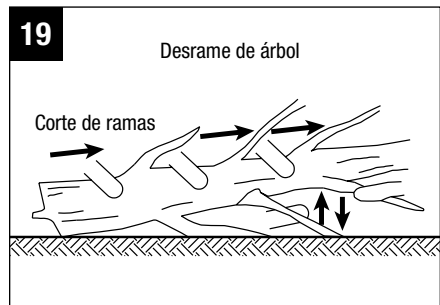
- Haga el corte posterior a 2 pulg. (50,8 mm) como mínimo más arriba que el corte horizontal de la muesca (Fig. 18). Mantenga el corte posterior paralelo al corte horizontal de la muesca. Haga el corte posterior de modo que quede suficiente madera para que haga de bisagra. La madera de bisagra evita que el árbol se tuerza y caiga en una dirección no deseada. No atraviese la bisagra con el corte.



2. A medida que el corte se acerca a la bisagra, el árbol debería comenzar a caer. Si existe la posibilidad de que el árbol no caiga en la dirección deseada o se mueva hacia atrás y atrape la cadena de la motosierra, detenga el corte antes de terminarlo y use cuñas de madera, plástico o aluminio para abrir el corte y hacer caer el árbol en la línea deseada de caída.
3. Cuando el árbol comience a caer, retire la motosierra del corte, detenga el motor, apoye la motosierra en el suelo y aléjese por la vía de salida prevista. Está atento a las ramas que caigan por sobre su cabeza y mire donde pisa.

DESRAMAR

Desramar consiste en cortar las ramas de un árbol caído. Al desramar, deje las ramas más grandes para que soporten el tronco a una distancia del suelo. Corte las ramas pequeñas con un corte como se muestra en la Fig. 19. Las ramas bajo tensión deben cortarse desde la parte inferior hacia arriba para evitar que se atasque la motosierra.



⚠ ADVERTENCIA: Existe un peligro extremo de que se produzca el efecto rebote al desramar. Tenga extrema precaución y evite que el tronco u otras ramas hagan contacto con la punta de la espada.

LEÑADO DE UN TRONCO (Fig. 20)

Leñar es cortar un tronco en segmentos. Es importante asegurarse de estar bien parado y de que el peso esté repartido uniformemente en los dos pies. Siempre que sea posible, el tronco debe elevarse y apoyarse mediante las ramas, troncos o calzos. Siga las simples instrucciones para facilitar el corte.

⚠ ADVERTENCIA: Mantenga el área de corte despejada. Asegúrese de que ningún objeto haga contacto con la punta de la espada y la cadena durante el corte; esto puede producir el efecto rebote.

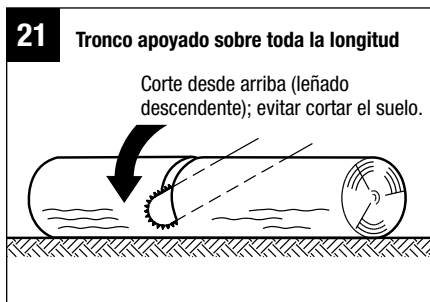
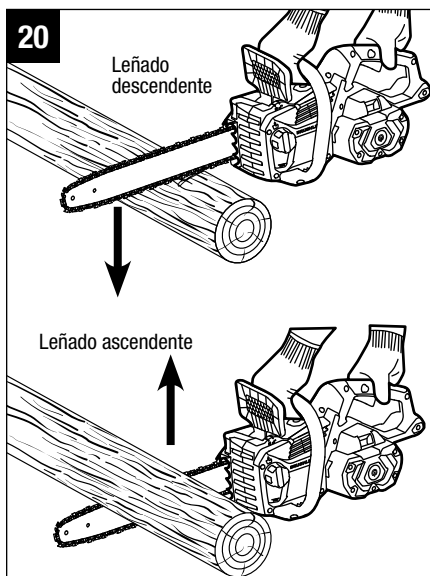
Leñado descendente

Comience sobre el lado superior del tronco con la parte inferior de la motosierra contra el tronco; ejerza una leve presión hacia abajo. Tenga en cuenta que la motosierra tenderá a alejarse de usted.

Leñado ascendente

Comience sobre el lado inferior del tronco con la parte superior de la motosierra contra el tronco; ejerza una leve presión hacia arriba. Durante el leñado ascendente, la motosierra tenderá a empujar hacia usted. Está preparado para esta reacción y sostenga la motosierra con firmeza para no perder el control.

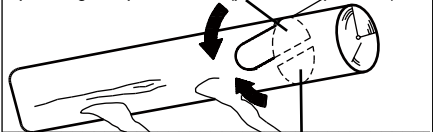
- Cuando el tronco está apoyado en toda su longitud, debe cortarse desde la parte superior (leñado descendente) (Fig. 21).



- Cuando el tronco esté apoyado solo sobre un extremo, corte un tercio del diámetro desde el lado inferior (leñado ascendente). Luego, haga el corte final de forma descendente para llegar al primer corte (Fig. 22).

22
Tronco apoyado sobre un extremo

Segundo corte descendente (2/3 del diámetro) para llegar al primer corte (para evitar pellizcos)

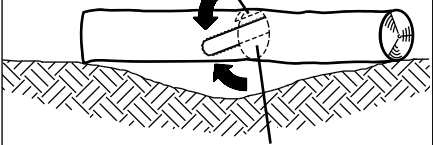


Primer corte ascendente (1/3 del diámetro) para evitar astillado

- Cuando el tronco esté apoyado sobre ambos extremos, corte un tercio del diámetro de forma descendente. Luego, haga el corte final pasando la motosierra de forma ascendente por los dos tercios inferiores hasta llegar al primer corte (Fig. 23).

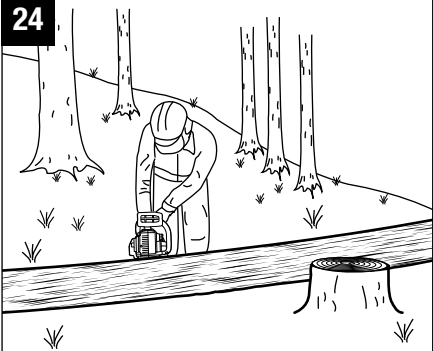
23
Tronco apoyado sobre ambos extremos

Primer corte descendente (1/3 del diámetro) para evitar astillado



Segundo corte ascendente (2/3 del diámetro) para llegar al primer corte (para evitar pellizcos)

- Al leñar sobre una pendiente, siempre párese sobre el lado más elevado del terreno respecto del tronco (Fig. 24).
- Para mantener un control completo al atravesar el tronco, libere la presión de corte cerca del final del corte sin relajar el agarre de las empuñaduras de la motosierra. No permita que la cadena toque el suelo. Después de terminar el corte, espere a que la motosierra se detenga por completo antes de moverla. Siempre detenga el motor antes de pasar de un árbol a otro.

24


MANTENIMIENTO

⚠ ADVERTENCIA: Cuando realice el mantenimiento, solo use piezas de repuesto idénticas. El uso de otras piezas puede generar un peligro o dañar el producto.

⚠ ADVERTENCIA: Use siempre gafas de seguridad o anteojos con protección lateral al utilizar este producto o soplar el aserrín. Si la operación libera polvo, use también una mascarilla antipolvo.

⚠ ADVERTENCIA: Para evitar lesiones graves, retire siempre el paquete de batería de la motosierra antes de inspeccionar, limpiar o realizar cualquier tipo de mantenimiento. Una herramienta a batería con el paquete de batería colocado siempre está encendida y puede arrancar por accidente.

⚠ ADVERTENCIA: Al limpiar la motosierra, NO la sumerja en agua ni en ningún otro líquido.

⚠ ADVERTENCIA: No permita en ningún momento que las piezas plásticas entren en contacto con líquidos de freno, gasolina, productos a base de petróleo, aceites penetrantes, etc. Los productos químicos pueden dañar, debilitar o destruir el plástico, lo que puede resultar en lesiones graves.

Todo servicio técnico de la motosierra, aparte de los artículos mencionados en este manual, debe realizarlo un técnico de servicio calificado.

LIMPIEZA

- Después de cada uso, use un cepillo suave para limpiar los desechos, la suciedad obstruida, el césped de la cuchilla, la protección o el césped que se pueda haber enredado alrededor del eje de la unidad o el cabezal de la orilladora.
- Para una mayor limpieza, quite la cubierta lateral, la espada y la cadena de la motosierra y, luego, use un cepillo suave para quitar por completo todos los desechos de la espada, la cadena de la motosierra y el piñón de transmisión del cabezal de potencia de la motosierra.
- Siempre limpie las astillas, el aserrín y la suciedad de la ranura de la espada al reemplazar la cadena de la motosierra.

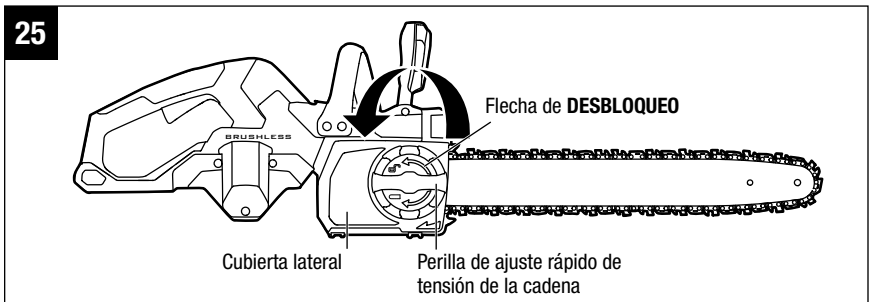
REEMPLAZO DE LA ESPADA Y LA CADENA

⚠ ADVERTENCIA: Nunca toque ni ajuste la cadena mientras el motor está en funcionamiento. La cadena es muy filosa; siempre use guantes protectores al realizar el mantenimiento de esta pieza.

AVISO: Al reemplazar la espada y la cadena, use siempre la combinación de espada y cadena especificada en la sección que figura más adelante, **"Cadena y espada recomendadas para esta motosierra"**.

Desarmado de la espada y la cadena desgastadas

1. Retire la batería, deje que la motosierra se enfríe y apriete la tapa del depósito de aceite.
2. Apoye la motosierra de lado sobre una superficie firme y plana, de modo que la cubierta lateral quede hacia arriba (Fig. 25).
3. Use guantes. Retire la cubierta lateral haciendo girar la perilla en dirección contraria a las manecillas del reloj (Fig. 25). Limpie la cubierta lateral con un paño seco.



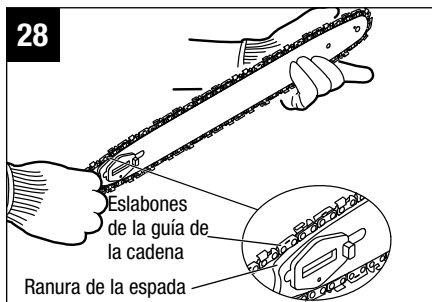
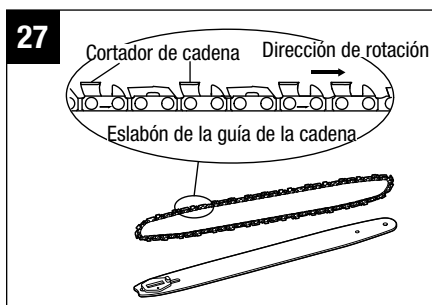
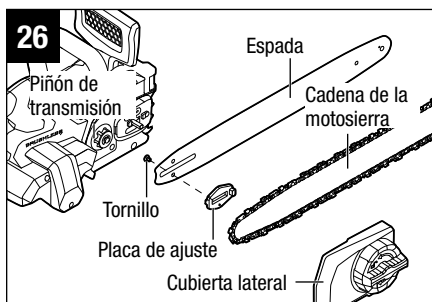
4. Retire cuidadosamente la espada y la cadena del cabezal de potencia de la motosierra.
5. Retire la cadena desgastada de la espada.

- Hay una placa de ajuste conectada a la espada con un tornillo. Si es necesario reemplazar la espada, desarme la placa de ajuste de la espada y vuelva a armarla en la nueva espada, como se muestra en la Fig. 26.

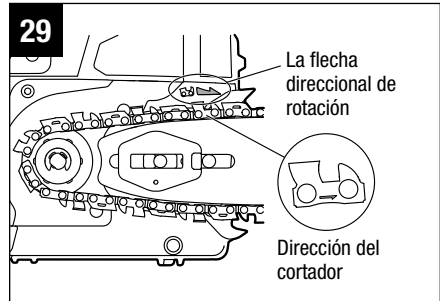
AVISO: Es un buen momento para inspeccionar el piñón de transmisión en busca de desgaste excesivo o daños.

Ensamblaje de la espada y la cadena nuevas

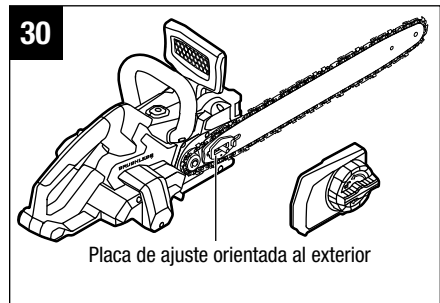
1. Apoye la cadena nueva formando un lazo sobre una superficie plana y enderece las deformaciones que pueda tener (Fig. 27).
2. Coloque los eslabones guía de la cadena dentro de la ranura de la espada. Posicione la cadena de modo que haya un lazo en la parte posterior de la espada (Fig. 28).
3. Sostenga la cadena en posición sobre la espada y coloque el lazo alrededor del piñón del cabezal motor.



AVISO: La cadena de la motosierra y la carcasa del cabezal de potencia tienen grabadas pequeñas flechas direccionales (Fig. 29). Al colocar la cadena de la motosierra formando un lazo sobre la espada, asegúrese de que luego de instalar la espada en el cabezal de potencia, la dirección de las flechas sobre la cadena de la motosierra corresponda con la flecha direccional de rotación de la carcasa del cabezal de potencia. Si tienen direcciones opuestas, vuelva a armar la cadena de la motosierra en la espada. Se debe instalar la espada con la placa de ajuste orientada hacia afuera de la carcasa.



- Reemplace la cubierta lateral sobre el cabezal de potencia ajustando por completo la perilla de ajuste rápido de la tensión de la cadena en dirección de las manecillas del reloj. El engranaje excéntrico dentro de la cubierta lateral está diseñado para garantizar que no se ajuste excesivamente la tensión de la cadena (Fig. 30).



- Ajuste la manija del freno de contragolpe de la cadena en la posición de operación y, luego, haga girar la cadena manualmente para verificar que la cadena esté correctamente instalada y no se trabe. De lo contrario, vuelva a armar el conjunto de la cadena y la espada.

MANTENIMIENTO DE LA CADENA

Use solo cadenas de bajo contragolpe para esta motosierra. Esta cadena de corte rápido brinda una reducción del contragolpe cuando se mantiene correctamente.

Una cadena bien afilada corta la madera sin esfuerzo, incluso con muy poca presión. Nunca use una cadena dañada o sin filo. Una cadena con cortantes desafilados aumenta el esfuerzo físico que debe hacer el usuario y la carga de vibración, produce resultados de corte insatisfactorios y aumenta el desgaste.

Para que el corte sea uniforme y rápido, la cadena debe mantenerse correctamente. La cadena debe afilarse cuando las astillas de madera son pequeñas y como polvo, la cadena debe forzarse para que atraviese la madera durante el corte o la cadena corta de un lado. Durante el mantenimiento de la cadena, tenga en cuenta lo siguiente:

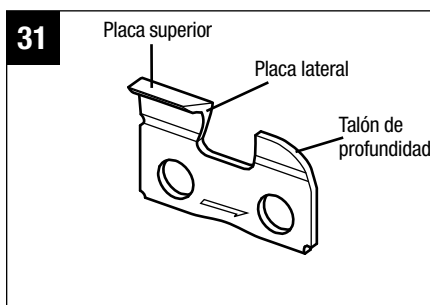
- Si el ángulo de afilado de la placa lateral es incorrecto, puede aumentar el riesgo de producirse un efecto rebote importante.
- Espacio libre del talón de profundidad. Si es demasiado bajo, aumenta la posibilidad de contragolpe. Si no es lo suficientemente bajo, disminuye la capacidad de corte.
- Si los eslabones cortantes han golpeado objetos duros, como clavos o piedras, o han sido corroídos por lodo o arena en la madera, haga afilar la cadena por un técnico de servicio calificado.

AVISO: Inspeccione el piñón de transmisión en busca de desgaste o daños al reemplazar la cadena. Si hay indicios de desgaste o daños en las áreas indicadas, solicite a un técnico de servicio calificado que reemplace el piñón de transmisión.

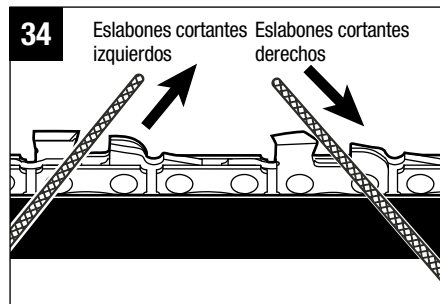
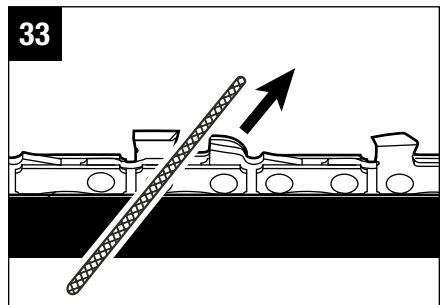
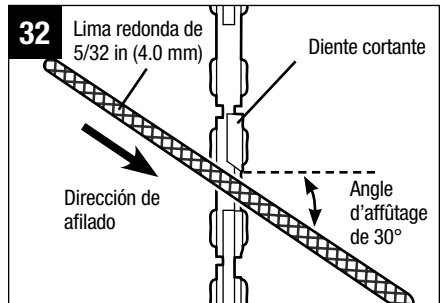
Cómo afilar los eslabones cortantes

Tenga la precaución de afilar todos los eslabones cortantes (Fig. 31) en los ángulos especificados y a la misma longitud, dado que los cortes rápidos solo pueden lograrse cuando todos los eslabones cortantes son uniformes.

1. Retire el paquete de batería. Use guantes para protegerse.
2. Asegúrese de que la cadena esté correctamente instalada y que la perilla de ajuste rápido de tensión de la cadena esté completamente apretada, lo cual garantiza que la cadena tenga la tensión correcta.
3. Use una lima redonda de 5/32 in (4.0 mm) de diámetro y un portalimas (se venden por separado). Realice todo el afilado en la posición media de la espada para lograr un equilibrio perfecto.
4. Mantenga la lima nivelada con la placa superior del diente. No deje que la lima se hunda o se sacuda



5. Mantenga un ángulo de afilado correcto: 30° entre la lima y la cadena de la motosierra; vea las Fig. 30 y 31. Use siempre un portalimas (se vende por separado) al afilar a mano cadenas de motosierra. Los portalimas tienen marcas para el ángulo de afilado.
6. Haciendo una presión leve pero firme, haga movimientos hacia la esquina frontal del diente. Aleje la lima levantándola del acero en cada movimiento de regreso.
7. Haga varios movimientos firmes en cada diente. Afile todos los eslabones cortantes izquierdos en una dirección. Luego pase al otro lado y afile los eslabones cortantes derechos en la dirección opuesta. Ocasionalmente, retire las virutas de la lima con un cepillo de alambre suave (Fig. 34).



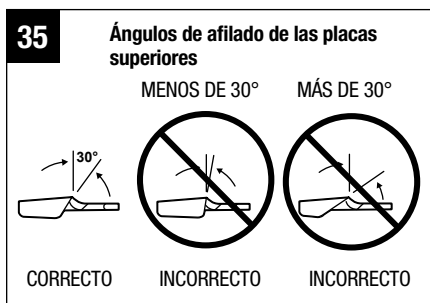
⚠ ADVERTENCIA: Si la cadena está desafilada o no está afilada correctamente, el motor puede alcanzar una velocidad demasiado alta durante el corte y dañarse gravemente.

⚠ ADVERTENCIA: Si el afilado de la cadena no es correcto, aumenta el potencial de efecto rebote.

⚠ ADVERTENCIA: Si no reemplaza o repara la cadena en caso de que esté dañada, se pueden producir lesiones graves.

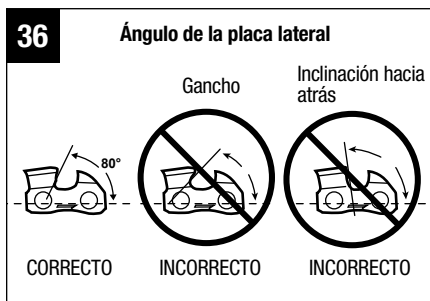
Ángulos de afilado de las placas superiores (Fig. 35)

- **CORRECTO DE 30°:** este ángulo óptimo puede obtenerse solo cuando se usan las limas especificadas y una posición de afilado correcta. Los portalimas tienen marcas de guía para alinear la lima correctamente y producir el ángulo correcto con las placas superiores.
- **MENOS DE 30°:** el diente queda demasiado desafilado para cortar.
- **MÁS DE 30°:** el borde del eslabón cortante queda muy afilado y corta muy rápidamente.



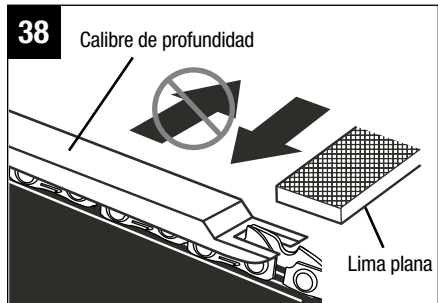
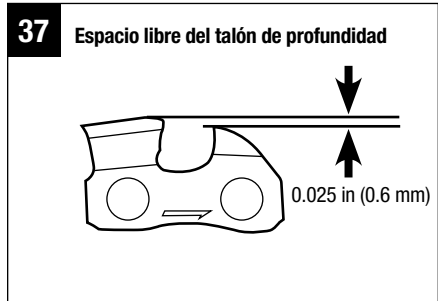
Ángulo de la placa lateral (Fig. 36)

- **CORRECTO DE 80°:** el ángulo óptimo puede producirse automáticamente si se usa una lima con el diámetro correcto en el portalimas.
- **GANCHO:** “agarra” y se desafilá rápidamente. Aumenta el potencial de EFECTO REBOTE. Se produce cuando se usa una lima con un diámetro demasiado pequeño o cuando se sostiene la lima demasiado baja.
- **INCLINACIÓN HACIA ATRÁS:** necesita demasiada presión de alimentación, produce un desgaste excesivo en la espada y la cadena. Se produce cuando se usa una lima con un diámetro demasiado grande o cuando se sostiene la lima demasiado alta.



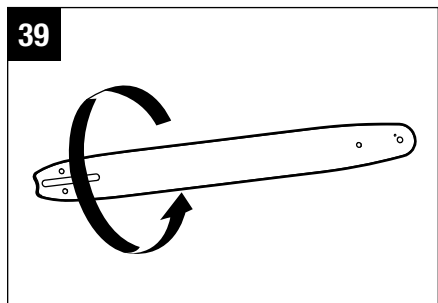
Espacio libre del talón de profundidad

1. El talón de profundidad debe mantenerse a un espacio libre de 0.025 in (0.6 mm), como se muestra en la Fig. 37. Use una herramienta de calibre de profundidad (se vende por separado) para verificar el espacio libre de los talones de profundidad.
2. Cada vez que se afile la cadena, mida el espacio libre de los talones de profundidad. Use una lima plana y un calibre de profundidad (se venden por separado) para bajar todos los talones de manera uniforme (Fig. 38). Los calibres de profundidad están disponibles de 0.020 in a 0.035 in (de 0.5 mm a 0.9 mm). Use un calibre de profundidad de 0.025 in. (0.6 mm).
3. Los talones de profundidad deben ajustarse con la lima plana en la misma dirección en que se limó el eslabón cortante adyacente con la lima redonda. Tenga cuidado de no tocar la superficie del eslabón cortante con la lima plana cuando ajuste los talones de profundidad.



MANTENIMIENTO DE LA ESPADA

Cuando la espada muestre indicios de desgaste, desármela del cabezal de potencia de la motosierra y voltéela para volver a instalarla (Fig. 39) y así distribuir el desgaste y lograr una máxima vida útil de la espada.



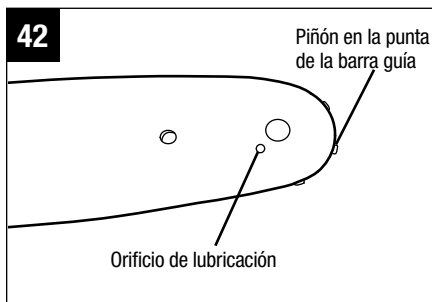
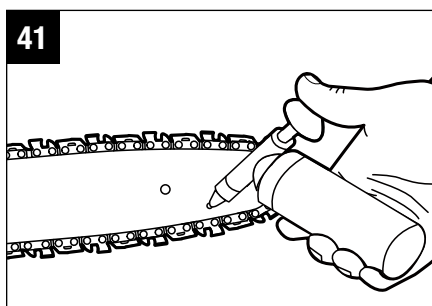
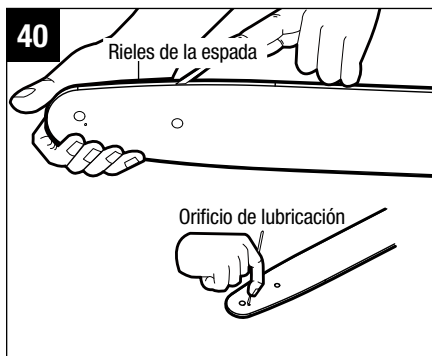
La espada debe limpiarse (incluidos los rieles de la espada, el orificio para grasa y el orificio para aceite) todos los días que se use y debe verificarse que no presente desgaste ni daños (Fig. 40). Las deformaciones o rebabas en los rieles de la espada son una consecuencia normal del desgaste de la espada. Estos defectos deben suavizarse con una lima en cuanto ocurran. Si la espada tiene alguno de los siguientes defectos, debe reemplazarse. Consulte la sección **“REEMPLAZO DE LA ESPADA Y LA CADENA”** de este manual.

- Desgaste dentro de los rieles de la espada que permite que la cadena se apoye de costado.
- Dobleces en la espada.
- Rieles agrietados o rotos.
- Rieles muy abiertos.

La espada tiene un piñón en la punta. El piñón debe lubricarse semanalmente con una jeringa de grasa para prolongar la vida útil de la espada (Fig. 41 y 42). Gire el piñón de la boquilla mientras se bombea grasa en el orificio de lubricación hasta que haya grasa nueva en toda la rueda dentada. No empuje suciedad hacia el orificio.

TRANSPORTE Y ALMACENAJE

- No almacene ni transporte la motosierra si está en funcionamiento. Siempre retire el paquete de batería antes de almacenarla o transportarla.
- Coloque siempre la funda de la espada sobre la espada y la cadena antes de almacenar o transportar la motosierra.
- Limpie bien la motosierra antes de almacenarla. Almacene la motosierra en interiores, en un lugar seco que esté cerrado con llave y no sea accesible para los niños.
- Manténgala alejada de los agentes corrosivos, como productos químicos para jardín y sales para derretir hielo.



SOLUCIÓN DE PROBLEMAS

PROBLEMA	CAUSA	SOLUCIÓN
El motor no funciona.	<ul style="list-style-type: none"> ■ El paquete de batería no está colocado en la motosierra. ■ No hay contacto eléctrico entre la motosierra y la batería. ■ El paquete de batería está agotado. ■ El paquete de batería o la motosierra están muy calientes. ■ El freno de la cadena está activado. ■ Residuos en la ranura de la espada. ■ Residuos en la cubierta lateral. 	<ul style="list-style-type: none"> ■ Coloque el paquete de batería en la motosierra. ■ Retire la batería, revise los contactos y vuelva a instalar el paquete de batería. ■ Cargue el paquete de batería. ■ Deje enfriar el paquete de batería o la motosierra hasta que la temperatura descienda por debajo de los 152 °F (67 °C). ■ Jale de la empuñadura del freno contra rebote de la cadena hacia atrás y hacia la parte frontal de la empuñadura. ■ Presione la cadena contra la madera, mueva la motosierra hacia adelante y hacia atrás para descargar los residuos. ■ Retire el paquete de batería, luego retire la cubierta lateral y limpie los residuos.
La motosierra deja de funcionar durante la operación.	<ul style="list-style-type: none"> ■ La motosierra está sobrecargada. ■ El paquete de baterías o la motosierra están muy calientes. ■ La cadena de la motosierra se encajó en la madera. 	<ul style="list-style-type: none"> ■ Disminuya la carga ■ Deje enfriar el paquete de baterías o la motosierra hasta que la temperatura descienda por debajo de los 152 °F (67 °C). ■ Suelte el interruptor tipo gatillo, retire la cadena de la motosierra y la espada de la madera; luego, reinicie la motosierra.

PROBLEMA	CAUSA	SOLUCIÓN
El motor funciona, pero la cadena no se mueve.	<ul style="list-style-type: none"> ■ La cadena no se engancha con el piñón de transmisión. 	<ul style="list-style-type: none"> ■ Vuelva a instalar la cadena, según las indicaciones de la sección “REEMPLAZO DE LA ESPADA Y LA CADENA” y asegúrese de que los eslabones de transmisión de la cadena estén completamente asentados en el piñón.
El freno de la cadena no se activa.	<ul style="list-style-type: none"> ■ Hay residuos que impiden el movimiento completo de la empuñadura del freno contra rebote de la cadena. ■ Posible mal funcionamiento del freno de la cadena. 	<ul style="list-style-type: none"> ■ Limpie los residuos del mecanismo externo del freno de la cadena. ■ Póngase en contacto con el Servicio al Cliente de EGO.
La motosierra no corta correctamente.	<ul style="list-style-type: none"> ■ La tensión de la cadena no es suficiente. ■ Cadena desafilada. ■ Cadena instalada hacia atrás. ■ Cadena desgastada. ■ Cadena seca o estirada excesivamente. 	<ul style="list-style-type: none"> ■ Afloje la perilla de ajuste rápido de tensión de la cadena al menos dos círculos en dirección contraria a las manecillas del reloj y, luego, apriétela por completo en dirección de las manecillas del reloj hasta lograr la tensión correcta de la cadena. ■ Afile los eslabones cortantes, siguiendo las instrucciones de la sección: “CÓMO AFILAR LOS ESLABONES CORTANTES”. ■ Vuelva a instalar la cadena, siguiendo las instrucciones de la sección: “REEMPLAZO DE LA ESPADA Y LA CADENA”. ■ Reemplace la cadena, siguiendo las instrucciones de la sección: “REEMPLAZO DE LA ESPADA Y LA CADENA”. ■ Controle el nivel de aceite. Si es necesario, llene el depósito de aceite.

PROBLEMA	CAUSA	SOLUCIÓN
Cadena de gotas de la barra de guía	<ul style="list-style-type: none"> ■ TensionTensión insuficiente de la cadena. ■ La cadena no se acopla a la rueda dentada. 	<ul style="list-style-type: none"> ■ Afloje la perilla de ajuste rápido de tensión de la cadena al menos dos círculos en dirección contraria a las manecillas del reloj y, luego, apriétela por completo en dirección de las manecillas del reloj hasta lograr la tensión correcta de la cadena. ■ Vuelva a instalar la cadena, según las indicaciones de la sección “REEMPLAZO DE LA ESPADA Y LA CADENA” y asegúrese de que los eslabones de transmisión de la cadena estén completamente asentados en el piñón.
La espada y la cadena funcionan en caliente y echan humo.	<ul style="list-style-type: none"> ■ El depósito de aceite para la cadena está vacío. ■ Residuos en la ranura de la espada. 	<ul style="list-style-type: none"> ■ Llenado del lubricante de la espada y la cadena. ■ Limpie los residuos de la ranura.

GARANTÍA

POLÍTICA DE GARANTÍA

Garantía limitada de 5 años en equipos de energía para exteriores y energía portátil EGO POWER+ para uso doméstico personal.

Garantía limitada de 3 años en paquetes de baterías y cargadores con el Sistema EGO POWER+ para uso doméstico personal.

Garantía limitada de 2 años/1 año en equipos de energía para exteriores, energía portátil, paquetes de baterías y cargadores EGO para uso profesional y comercial.

Los períodos de garantía detallados por productos se pueden encontrar en línea en <http://egopowerplus.com/pages/warranty-policy>.

Póngase en contacto con Servicio al Cliente de EGO de manera gratuita al 1-855-EGO-5656, cuando tenga preguntas o reclamaciones de garantía.

GARANTÍA LIMITADA DE SERVICIO

Los productos EGO están garantizados contra defectos de material o de fabricación a partir de la fecha de compra original al por menor durante el período de garantía aplicable. El producto defectuoso será reparado gratuitamente.

- a) Esta garantía se aplica solo al comprador original del distribuidor minorista autorizado de EGO y podría no ser transferible. Los distribuidores minoristas autorizados de EGO se identifican en línea, en <http://egopowerplus.com/pages/warranty-policy>.
- b) El período de garantía para productos reacondicionados o certificados de fábrica que se utilizan para fines residenciales es de 1 año, para fines industriales, profesionales o comerciales es de 90 días.
- c) El período de garantía para piezas del mantenimiento de rutina, incluidas, entre otras, cuchillas, cabezales de orilladoras, listones de cadenas, cadenas de motosierras, correas, barras raspadoras, boquillas de sopladores y todos los demás accesorios EGO, es de 90 días con fines residenciales y de 30 días para propósitos industriales, profesionales o comerciales. Estas piezas tienen cobertura durante 90/30 días por defectos de fabricación en condiciones normales de trabajo.
- d) Esta garantía queda nula si el producto se ha puesto en alquiler.

- e) Esta garantía no cubre daños producto de modificaciones, alteraciones o reparaciones no autorizadas.
- f) Esta garantía solo cubre defectos que surjan del uso normal y no cubre el mal funcionamiento, las fallas ni los defectos que resulten del mal uso, el abuso (que incluye la sobrecarga del producto más allá de su capacidad y sumergirlo en agua o en cualquier otro líquido), accidentes, negligencia o falta de instalación adecuada y mantenimiento o almacenamiento inadecuados.
- g) Esta garantía no cubre el deterioro normal del acabado exterior, incluidos, entre otros, rayones, abolladuras, trozos de pintura o cualquier corrosión o decoloración producida por el calor o limpiadores químicos y abrasivos.

CÓMO OBTENER EL SERVICIO

Para obtener el servicio de garantía, póngase en contacto con Servicio al Cliente de EGO de manera gratuita al **1-855-EGO-5656**. Cuando pida un servicio cubierto por la garantía, debe presentar el recibo con la fecha original de venta. Un centro de servicio autorizado será seleccionado para reparar el producto de acuerdo con los términos establecidos en la garantía. Cuando lleve el producto al centro de servicio autorizado, es posible que deba hacer un pequeño depósito cuando deje la herramienta. Este depósito se reembolsará cuando se considere que el servicio de reparación se haya cubierto con la garantía.

LIMITACIONES ADICIONALES

En la medida en que la ley aplicable lo permita, se deniegan todas las garantías implícitas, inclusive las garantías de COMERCIALIZIDAD o IDONEIDAD PARA UN PROPÓSITO ESPECÍFICO. Todas las garantías implícitas, inclusive las garantías de comerciabilidad o idoneidad para un propósito específico, que no se puedan denegar bajo la ley estatal, están limitadas al período de garantía aplicable definido al comienzo de este artículo.

Chervon North America no se hará responsable por daños directos, indirectos, accidentales o resultantes.

Algunos estados no permiten limitaciones con respecto a la duración de una garantía implícita y/o no permiten la exclusión o limitación de daños accidentales o resultantes, de modo que las limitaciones antes descritas podrían no aplicarse en su caso.

Esta garantía le otorga derechos legales específicos, pero podría tener también otros derechos que varían según el estado.



Para obtener el servicio al cliente, póngase en contacto con nosotros de manera gratuita al: **1-855-EGO-5656** o visite: **EGOPOWERPLUS.COM**
EGO Customer Service, 769 SEWARD AVE NW / Suite 102 Grand Rapids, MI 49504