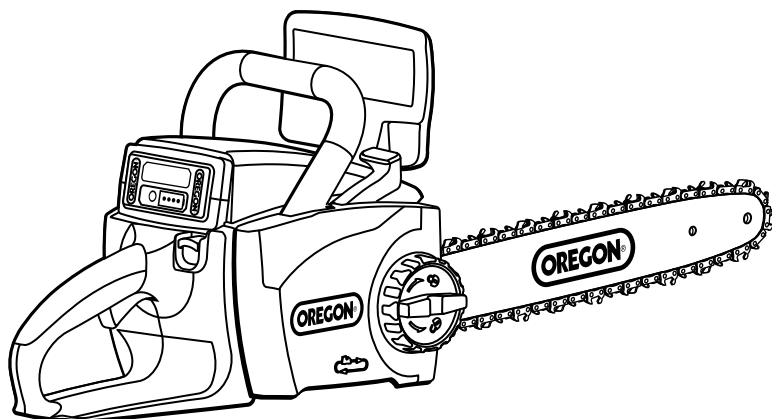




Cordless Tool System



**ORIGINAL INSTRUCTION MANUAL
CHAIN SAW MODEL CS300**

**MANUEL D'INSTRUCTION ORIGINAL
TRONÇONNEUSE MODÈLE CS300**

**MANUAL DE INSTRUCCIONES ORIGINAL
MOTOSIERRA MODELO CS300**

**MANUAL DE INSTRUÇÕES ORIGINAL
MOTOSSERRA MODELO CS300**



ENGLISH. 2

⚠ WARNING: READ AND UNDERSTAND ALL SAFETY WARNINGS AND ALL INSTRUCTIONS. FAILURE TO FOLLOW THE WARNINGS AND INSTRUCTIONS MAY RESULT IN ELECTRIC SHOCK, FIRE AND/OR SERIOUS INJURY. SAVE ALL WARNINGS AND INSTRUCTIONS FOR FUTURE REFERENCE.

This instruction manual contains translations of a manual drafted in English and are provided to assist those who do not speak English as their first language. Being a technical writing, some terms may not have a like or equivalent meaning as translated. Therefore, you should not rely on this translation, and should cross-reference the English version, where relying on the translated instructions could result in harm to your person or property.

FRANÇAIS.38

⚠ AVERTISSEMENT : VEUILLEZ LIRE ET COMPRENDRE TOUS LES AVERTISSEMENTS DE SÉCURITÉ ET TOUTES LES INSTRUCTIONS. LE NON-RESPECT DES AVERTISSEMENTS DE SÉCURITÉ ET DES INSTRUCTIONS PEUT ENTRAÎNER UNE DÉCHARGE ÉLECTRIQUE, UN INCENDIE ET/OU DES BLESSURES GRAVES. CONSERVEZ L'ENSEMBLE DES AVERTISSEMENTS ET INSTRUCTIONS POUR RÉFÉRENCE ULTÉRIEURE.

Ce manuel d'instructions est une traduction d'un manuel rédigé en anglais, fournie pour aider ceux dont l'anglais n'est pas la langue maternelle. Étant donné qu'il s'agit d'un document technique, certains termes peuvent ne pas avoir de signification similaire ou équivalente lorsqu'ils sont traduits. Par conséquent, vous ne devez pas vous fier à cette traduction et devriez consulter la version anglaise également, au cas où les instructions traduites pourraient provoquer des blessures ou des dommages matériels.

ESPAÑOL. 74

⚠ ADVERTENCIA: LEA Y COMPRENDA TODAS LAS ADVERTENCIAS DE SEGURIDAD Y LAS INSTRUCCIONES. LA OMISIÓN EN SEGUIR ESTAS ADVERTENCIAS E INSTRUCCIONES PODRÍA OCASIONAR UNA DESCARGA ELÉCTRICA, UN INCENDIO Y/O LESIONES PERSONALES GRAVES. GUARDE TODAS LAS ADVERTENCIAS E INSTRUCCIONES PARA REFERENCIA FUTURA.

Este manual de instrucciones contiene traducciones de un manual redactado en inglés y se provee para ayudar a aquellas personas que no hablan inglés como su primer idioma. Dado que el manual es un documento técnico, es posible que algunos términos no tengan un significado similar o equivalente al traducirlos. Por lo tanto, no debe confiar en esta traducción y debe consultar la versión en inglés en los casos en que confiar en las instrucciones traducidas podría provocar lesiones personales o daños materiales.

PORTUGUÊS.110

⚠ ADVERTÊNCIA: LEIA E ENTENDA TODAS AS ADVERTÊNCIAS E INSTRUÇÕES DE SEGURANÇA. A FALHA EM SEGUIR TODAS AS ADVERTÊNCIAS E INSTRUÇÕES PODE RESULTAR EM CHOQUE ELÉTRICO, INCÊNDIO E/OU LESÃO PESSOAL SÉRIA. GUARDE TODAS AS ADVERTÊNCIAS E INSTRUÇÕES PARA CONSULTÁ-LAS NO FUTURO.

Este manual de instruções contém traduções de um manual escrito em inglês e tem a finalidade de ajudar quem não fala inglês como idioma nativo. Como se trata de escrita técnica, alguns termos podem não ter um significado semelhante ou equivalente quando traduzidos. Portanto, não confie unicamente nesta tradução. Consulte a versão em inglês quando confiar na tradução em português puder resultar em danos pessoais ou à propriedade.

TABLE OF CONTENTS

SYMBOLS AND LABELS 3

CHAIN SAW NAMES AND TERMS 4

PRODUCT IDENTIFICATION 5

SAFETY RULES 6

 GENERAL POWER TOOL SAFETY WARNINGS 6

 WORK AREA SAFETY 6

 ELECTRICAL SAFETY 6

 PERSONAL SAFETY 7

 POWER TOOL USE AND CARE 7

 BATTERY TOOL USE AND CARE 8

 SERVICE 8

 CHAIN SAW SAFETY WARNINGS 8

 STORAGE, TRANSPORTING, AND DISPOSAL 12

 BATTERY SAFETY 13

 CHARGER SAFETY 14

UNPACKING AND ASSEMBLY 15

 CHECKING THE FRONT HAND GUARD POSITION 15

 FILLING THE BAR AND CHAIN OIL RESERVOIR 16

 ASSEMBLING THE GUIDE BAR AND SAW CHAIN 17

 TENSIONING THE SAW CHAIN 18

OPERATING THE SAW 20

 BATTERY PACK AND CHARGER 20

 GENERAL OPERATION 22

 CUTTING 23

 SHARPENING WITH POWERSHARP® 28

MAINTENANCE AND CLEANING 29

 INSPECTION 29

 TENSIONING THE SAW CHAIN 30

 REPLACING A WORN SAW CHAIN AND SHARPENING STONE 30

 MAINTAINING THE GUIDE BAR 31

 REPLACING A WORN GUIDE BAR 31

 REPLACING A WORN CHAIN TENSIONING GEAR 32

 REPLACING THE DRIVE SPROCKET 32

 CLEANING 33

 BATTERY PACK 33

 CHARGER 33

 ADDITIONAL MAINTENANCE INFORMATION 33

TROUBLESHOOTING 34

SPECIFICATIONS AND COMPONENTS 36

WARRANTY AND SERVICE 37

© 2014 Blount, Inc. Pricing and specifications subject to change without notice. All rights reserved. OREGON® and PowerSharp® are registered trademarks of Blount, Inc. in the United States and/or in other countries.

SYMBOLS AND LABELS

These symbols and labels appear on the chain saw, battery, and charger.

SYMBOL	NAME	EXPLANATION
	SAFETY ALERT SYMBOL	INDICATES THAT THE TEXT THAT FOLLOWS EXPLAINS A DANGER, WARNING, OR CAUTION.
	READ INSTRUCTIONS	THE ORIGINAL INSTRUCTION MANUAL CONTAINS IMPORTANT SAFETY AND OPERATING INFORMATION. READ AND FOLLOW THE INSTRUCTIONS CAREFULLY.
	WEAR EYE PROTECTION	WEAR EYE PROTECTION WHEN OPERATING THE CHAIN SAW.
	WEAR HEARING PROTECTION	WEAR HEARING PROTECTION WHEN OPERATING THE CHAIN SAW.
	WEAR HAND PROTECTION	WEAR GLOVES WHEN OPERATING THE CHAIN SAW AND WHEN HANDLING THE SAW CHAIN.
	WEAR HEAD PROTECTION	WEAR HEAD PROTECTION WHEN OPERATING THE CHAIN SAW.
	WEAR LONG PANTS	WEAR LONG PANTS WHEN OPERATING THE CHAIN SAW.
	WEAR FOOT PROTECTION	WEAR APPROPRIATE CLOSED-TOE WORK BOOTS WHEN OPERATING THE CHAIN SAW.
	SOUND POWER	SOUND POWER LEVEL IS 100 dB.
	BEWARE OF KICKBACK	KICKBACK CAN CAUSE SEVERE INJURIES.
	BAR NOSE CONTACT	AVOID BAR NOSE CONTACT.
	CHAIN SAW KICKBACK ANGLE	DESIGNED FOR USE WITH LOW KICKBACK SAW CHAIN.
	TWO-HANDED HOLD	HOLD SAW WITH BOTH HANDS.
	ONE-HANDED HOLD	DO NOT HOLD THE SAW WITH ONE HAND.
	DO NOT USE A LADDER	NEVER STAND ON A LADDER WHEN USING THE CHAIN SAW.
	DO NOT INCINERATE	DO NOT DISPOSE IN FLAMES.
	DO NOT DISPOSE	DO NOT THROW IN HOUSEHOLD WASTE. TAKE TO AN AUTHORIZED RECYCLER.
	INDOOR USE ONLY	CHARGER INTENDED FOR INDOOR USE ONLY.
	OPERATING TEMPERATURE	ONLY USE THE BATTERY PACK AT A TEMPERATURE BETWEEN 32°F TO 104°F (0°C AND 40°C).
	CUTTING TOOL	CUTTING TOOL. DO NOT TOUCH THE CHAIN WITHOUT FIRST DEACTIVATING THE CHAIN SAW BY REMOVING THE BATTERY.
	REMOVE BATTERY	REMOVE THE BATTERY BEFORE PERFORMING ANY MAINTENANCE.
	REMOVE BATTERY PRIOR TO TRANSPORT	REMOVE THE BATTERY PACK FROM THE CHAIN SAW PRIOR TO STORAGE, TRANSPORTATION OR DISPOSAL.

CHAIN SAW NAMES AND TERMS

Alignment flange: The protrusion on the bar pad that fits into the bar slot.

Automatic oiler: The system that automatically lubricates the guide bar and saw chain.

Bar pad: The mounting pad on the powerhead that helps ensure proper alignment of the guide bar.

Bar slot: The cutout portion of the guide bar that fits on to the alignment flange and mounting stud.

Bystander safety zone: A 20 ft (6 m) circle around the operator that must remain free from bystanders, children and pets.

Chain brake: A device for stopping or locking the saw chain, activated manually or non-manually when kickback occurs.

Chain catcher: A device for retaining the saw chain if it breaks or derails.

Chain gauge: The thickness of the saw chain drive link, where it fits into the bar groove, indicated by the part number stamped on the drive links.

Chain pitch: The distance between any three consecutive rivets on the saw chain divided by two, indicated by the part number stamped on the drive links.

Chain saw powerhead: A chain saw without the saw chain or guide bar.

Chain tensioning gear: A gear mounted on the guide bar that adjusts saw chain tension when rotated.

Chain tensioning ring: The ring around the side cover release knob that when turned, adjusts the saw chain tension.

Drive link: The fin-shaped link of the saw chain that fits into the groove on the guide bar.

Drive sprocket: The toothed part that drives the saw chain.

Effective cutting length: The approximate distance from the root of the spiked bumper to the outside edge of the cutting link with the tensioner set to the middle position.

Felling back cut: The final cut in a tree felling operation made on the opposite side of the tree from the notching undercut.

Front handle: The support handle located at or toward the front of the chain saw intended to be gripped by the left hand.

Front hand guard: A structural barrier between the front handle of a chain saw and the guide bar, which also serves as an activating mechanism for the chain brake.

Guide bar: A railed structure that supports and guides the saw chain. Sometimes simply called the “bar”.

Guide bar cover: The plastic cover that protects the guide bar and saw chain when the chain saw is not in use.

Kickback: The rapid backward and/or upward motion of the guide bar, occurring when the saw chain near the top area of the nose of the guide bar contacts any object (such as a log or branch), or when the wood closes in and pinches the saw chain in the cut.

Low-kickback chain: A chain that complies with the low kickback performance requirements of ANSI B175.1 and CSA Z62.3.

Mounting stud: The threaded protrusion on the alignment flange that extends through the bar slot.

Notching undercut: A notch cut in a tree to direct the tree's fall.

Rear handle: The support handle located at or toward the rear of the saw intended to be gripped by the right hand.

Rear hand guard: A structural barrier at the bottom right side of the rear handle to protect the operator in case of rupture or derailing of the saw chain.

Reduced kickback guide bar: A guide bar with a maximum nose radius as specified in ANSI B175.1 and CSA Z62.3 and which has been demonstrated to reduce kickback significantly.

Saw chain: A loop of chain having cutting teeth, that cuts the wood, that is driven by the powerhead and is supported by the guide bar. Sometimes simply called the “chain”.

Side cover: The plastic cover on the powerhead that covers the drive sprocket and chain tensioning gear which is removed and installed with the side cover release knob.

Spiked bumper: A device fitted to the front of the saw acting as a pivot point when in contact with a tree or log to make cutting easier. Also known as “bucking spikes”.

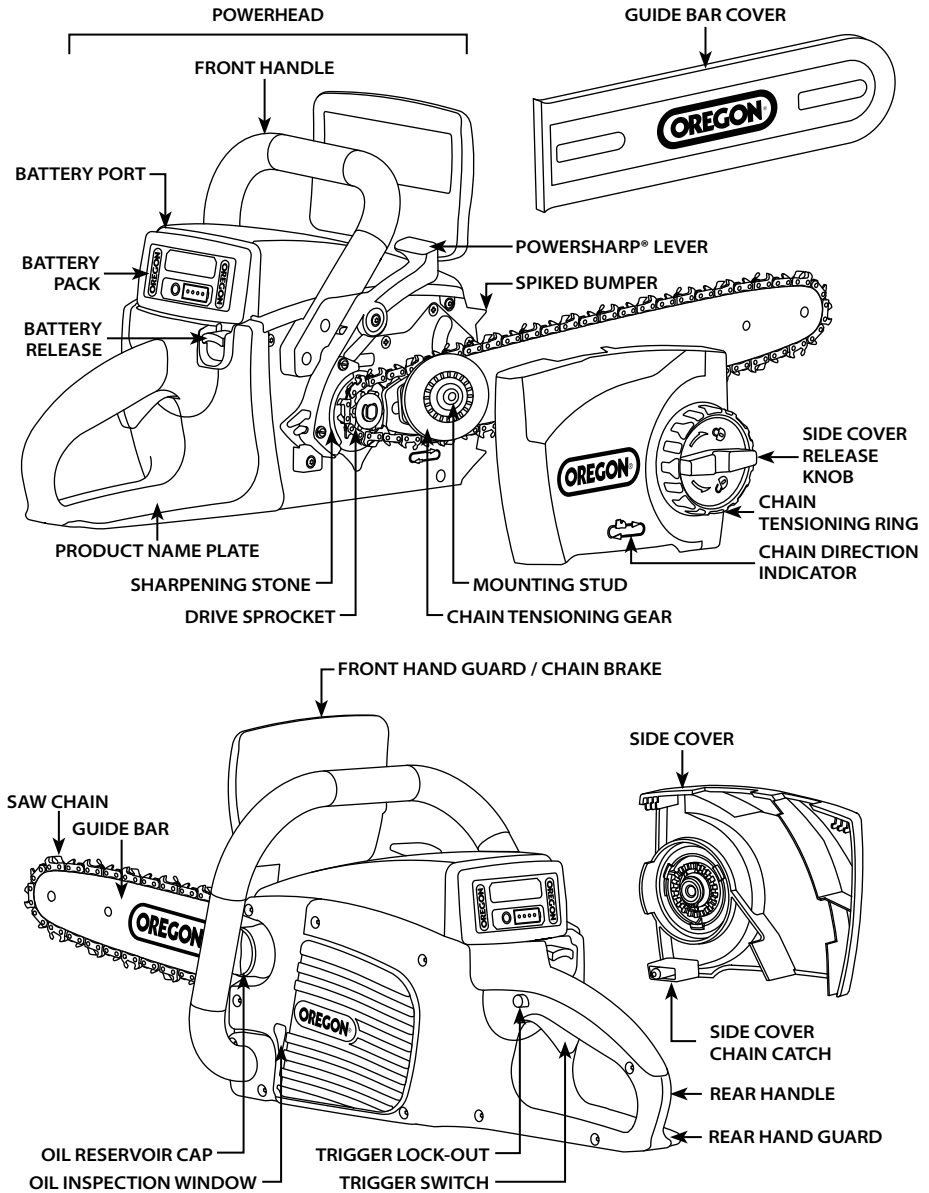
Trigger lock-out: A movable stop that prevents the unintentional operation of the trigger switch until manually actuated.

Trigger switch: A device that turns the chain saw on and off.

Wear parts: Parts such as the saw chain and guide bar that can wear during use and can be replaced by the user.

PRODUCT IDENTIFICATION

KNOW THE CHAIN SAW



NOTE: See "Unpacking and Assembly" for a list of included items.

INTRODUCTION

This chain saw is designed for occasional light duty use. It is not designed to fell large trees or cut large diameter logs. This chain saw is not designed for tree service. Do not cut trees or wooden timbers that have a diameter greater than the effective cutting length of the chain saw, 15 inches (38 cm).

SAFETY RULES

GENERAL POWER TOOL SAFETY WARNINGS

⚠ WARNING: READ ALL SAFETY WARNINGS AND ALL INSTRUCTIONS. FAILURE TO FOLLOW THE WARNINGS AND INSTRUCTIONS MAY RESULT IN ELECTRIC SHOCK, FIRE AND/OR SERIOUS INJURY.



SAVE ALL WARNINGS AND INSTRUCTIONS FOR FUTURE REFERENCE. THE TERM "POWER TOOL" IN THE WARNINGS REFERS TO YOUR MAINS-OPERATED (CORDED) POWER TOOL OR BATTERY OPERATED (CORDLESS) POWER TOOL.

WORK AREA SAFETY

- Keep work area clean and well lit. *Cluttered or dark areas invite accidents.*
- Do not operate the power tool in explosive atmospheres, such as in the presence of flammable liquids, gases or dust. *Power tools create sparks which may ignite the dust or fumes.*
- Keep children and bystanders away while operating the power tool. *Distractions can cause you to lose control.*

ELECTRICAL SAFETY

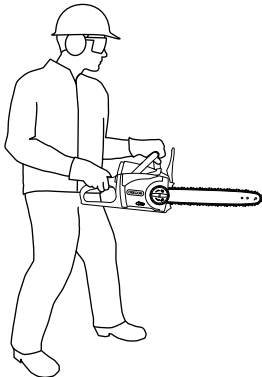
- Power tool plugs must match the outlet. Never modify the plug in any way. Do not use any adapter plugs with earthed (grounded) power tools. *Unmodified plugs and matching outlets will reduce risk of electric shock.*
- Avoid body contact with earthed or grounded surfaces, such as pipes, radiators, ranges and refrigerators. *There is an increased risk of electric shock if your body is earthed or grounded.*

- Do not expose power tools to rain or wet conditions. *Water entering a power tool will increase the risk of electric shock.*
- Do not abuse the cord. Never use the cord for carrying, pulling or unplugging the power tool. Keep cord away from heat, oil, sharp edges or moving parts. *Damaged or entangled cords increase the risk of electric shock.*
- When operating a power tool outdoors, use an extension cord suitable for outdoor use. *Use of a cord suitable for outdoor use reduces the risk of electric shock.*
- If operating a power tool in a damp location is unavoidable, use a ground fault circuit interrupter (GFCI) protected supply. *Use of a GFCI reduces the risk of electric shock.*

PERSONAL SAFETY

- **Stay alert, watch what you are doing and use common sense when operating a power tool. Do not use a power tool while you are tired or under the influence of drugs, alcohol or medication.** *A moment of inattention while operating power tools may result in serious personal injury.*
- **Use personal protective equipment. Always wear eye protection.** *Protective equipment such as dust mask, non-skid safety shoes, long pants, hard hat or hearing protection used for appropriate conditions will reduce personal injuries.*
- **Prevent unintentional starting. Ensure the switch is in the off-position before connecting to power source and/or battery pack, picking up or carrying the tool.** *Carrying power tools with your finger on the switch or energizing power tools that have the switch on invites accidents.*
- **Remove any adjusting key or wrench before turning the power tool on.** *A wrench or a key left attached to a rotating part of the power tool may result in personal injury.*
- **Do not overreach. Keep proper footing and balance at all times (Fig. 1).** *This enables better control of the power tool in unexpected situations.*

FIG. 1



- **Dress properly. Do not wear loose clothing or jewelry. Keep your hair, clothing and gloves away from moving parts.** *Loose clothes, jewelry or long hair can be caught in moving parts.*
- **If devices are provided for the connection of dust extraction and collection facilities, ensure these are connected and properly used.** *Use of dust collection can reduce dust-related hazards.*

POWER TOOL USE AND CARE

- **Do not force the power tool. Use the correct power tool for your application.** *The correct power tool will do the job better and safer at the rate for which it was designed.*
- **Do not use the power tool if the switch does not turn it on and off.** *Any power tool that cannot be controlled with the switch is dangerous and must be repaired.*
- **Disconnect the plug from the power source and/or the battery pack from the power tool before making any adjustments, changing accessories or storing power tools.** *Such preventive safety measures reduce the risk of starting the power tool accidentally.*
- **Store idle power tools out of the reach of children and do not allow persons unfamiliar with the power tool or these instructions to operate the power tool.** *Power tools are dangerous in the hands of untrained users.*
- **Maintain power tools. Check for misalignment or binding of moving parts, breakage of parts and any other condition that may affect the power tool's operation. If damaged, have the power tool repaired before use.** *Many accidents are caused by poorly maintained power tools.*

- **Keep cutting tools sharp and clean.** *Properly maintained cutting tools with sharp cutting edges are less likely to bind and are easier to control.*
- **Use the power tool, accessories and tool bits, etc. in accordance with these instructions taking into account the working conditions and the work to be performed.** *Use of the power tool for operations different from those intended could result in a hazardous situation.*

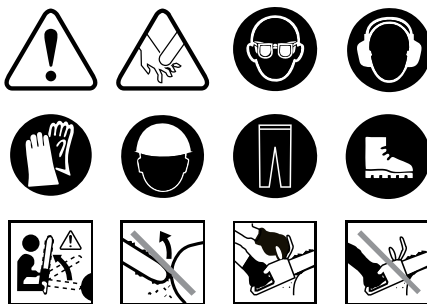
BATTERY TOOL USE AND CARE

- **Recharge only with the charger specified by the manufacturer.** *A charger that is suitable for one type of battery pack may create a risk of fire when used with another battery pack.*
- **Use the chain saw only with specifically designated battery packs.** *Use of any other battery packs may create risk of injury and fire.*
- **When battery pack is not in use, keep it away from other metal objects, like paper clips, coins, keys, nails, screws or other small metal objects, that can make a connection from one terminal to another.** *Shorting the battery terminal may cause burns or a fire.*
- **Under abusive conditions, liquid may be ejected from the battery; avoid contact.** *If contact accidentally occurs, flush with water. If liquid contacts eyes, additionally seek medical help. Liquid ejected from the battery may cause irritation or burns.*
- **Do not disassemble the chain saw, charger, or battery pack or attempt to repair these products.** *Doing so could result in electrical shock.*

SERVICE

Have your power tool serviced by a qualified repair person using only identical replacement parts. This will ensure that the safety of the power tool is maintained.

CHAIN SAW SAFETY WARNINGS



- **Keep all parts of the body away from the saw chain when the chain saw is operating.** *Before you start the chain saw, make sure the saw chain is not contacting anything. A moment of inattention while operating chain saws may cause entanglement of your clothing or body with the saw chain.*
- **Always hold the chain saw with your right hand on the rear handle and your left hand on the front handle.** *Holding the chain saw with a reversed hand configuration increases the risk of personal injury and should never be done.* NOTE: For chain saws designed with the guide bar on the left side, the reference to "right hand" and "left hand" positioning is reversed.
- **Wear safety glasses and hearing protection.** *Further protective equipment for head, hands, legs and feet is recommended. Adequate protective clothing will reduce personal injury by flying debris or accidental contact with the saw chain.*
- **Do not operate a chain saw in a tree.** *Operation of a chain saw while up in a tree may result in personal injury.*
- **Always keep proper footing and operate the chain saw only when standing on fixed, secure and level surface.** *Slippery or unstable surfaces such as ladders may cause a loss of balance or control of the chain saw.*
- **Follow the manufacture's sharpening and maintenance instructions for the saw chain.** *Decreasing the depth gauge height can lead to increased kickback.*

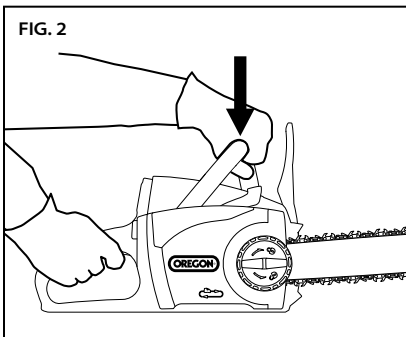
⚠ DANGER: CONTACT WITH A MOVING SAW CHAIN WILL RESULT IN SERIOUS PERSONAL INJURY. KEEP HANDS AND BODY AWAY FROM MOVING SAW CHAIN.

⚠ DANGER: CONTACT WITH ELECTRICAL WIRING DURING USE MAY CAUSE EXPOSED METAL PARTS OF THE TOOL TO BECOME LIVE, RESULTING IN SERIOUS PERSONAL INJURY. ALWAYS HOLD THE CHAIN SAW BY THE INSULATED GRIPPING SURFACES DURING OPERATION.

⚠ WARNING: THE USE OF AN IMPROPERLY ASSEMBLED CHAIN SAW MAY RESULT IN SERIOUS PERSONAL INJURY. ONLY USE THIS TOOL AFTER IT HAS BEEN PROPERLY ASSEMBLED ACCORDING TO "UNPACKING AND ASSEMBLY" IN THIS MANUAL.

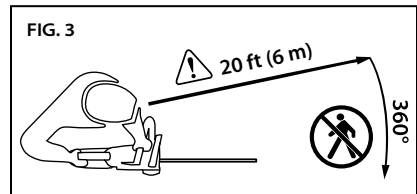
⚠ WARNING: MOMENTS OF INATTENTION DURING OPERATION OF THE CHAIN SAW MAY RESULT IN SERIOUS PERSONAL INJURY. BEFORE STARTING THE CHAIN SAW, MINIMIZE ALL DISTRACTIONS, KEEP BODY PARTS AWAY FROM SAW CHAIN, AND MAKE SURE THE CHAIN IS NOT IN CONTACT WITH ANY OBJECTS.

⚠ WARNING: USING ONE HAND TO OPERATE THE CHAIN SAW CAN RESULT IN PERSONAL INJURY. USE BOTH HANDS WHEN OPERATING THE CHAIN SAW (SEE FIG. 2).



⚠ CAUTION: CONTACT FROM FLYING DEBRIS, OR ACCIDENTAL CONTACT WITH THE SAW CHAIN, MAY RESULT IN PERSONAL INJURY. ALWAYS WEAR PROTECTIVE EQUIPMENT FOR HEAD, EARS, HANDS, LEGS AND FEET.

⚠ CAUTION: ESTABLISH A BYSTANDER SAFETY ZONE OF 20 FT (6 M) PRIOR TO OPERATION OF THIS EQUIPMENT. BYSTANDER SAFETY ZONE IS A 20 FT (6 M) CIRCLE AROUND THE OPERATOR THAT MUST REMAIN FREE FROM BYSTANDERS, CHILDREN, AND PETS (FIG. 3).



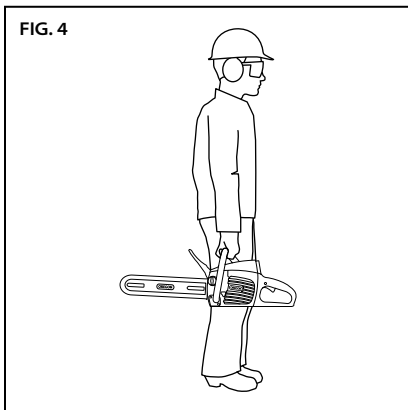
⚠ CAUTION: LIMBS UNDER TENSION CAN "SPRING BACK" AND CONTACT THE OPERATOR OR THROW THE CHAIN SAW OUT OF CONTROL, RESULTING IN PERSONAL INJURY. ALWAYS BE ALERT FOR WOOD UNDER TENSION WHICH MAY STRIKE THE OPERATOR OR CHAIN SAW WHEN CUT.

⚠ CAUTION: IMPROPER CHAIN TENSION OR LUBRICATION MAY INCREASE THE CHANCE OF INJURY DUE TO KICKBACK. ALWAYS FOLLOW THE INSTRUCTIONS IN "TENSIONING THE SAW CHAIN" IN THIS MANUAL.

⚠ CAUTION: WET OR GREASY GRIPPING SURFACES MAY CAUSE A LOSS OF CONTROL OF THE TOOL, RESULTING IN PERSONAL INJURY. ALWAYS KEEP HANDLES DRY, CLEAN, AND FREE OF OIL AND GREASE.

⚠ CAUTION: USING THE CHAIN SAW FOR APPLICATIONS OTHER THAN ITS DESIGNED PURPOSE MAY RESULT IN A HAZARDOUS CONDITION. THE CHAIN SAW IS DESIGNED SOLELY FOR CUTTING SMALL WOOD BRANCHES.

⚠ CAUTION: TO PREVENT ACCIDENTAL CONTACT WITH THE SAW CHAIN DURING TRANSPORT, ALWAYS FIT THE BLADE COVER AND KEEP HANDS AND FINGERS AWAY FROM TRIGGER AREA (FIG. 4).



⚠ CAUTION: PROLONGED USE OF POWER TOOLS HAS BEEN REPORTED TO CAUSE VASCULAR, MUSCULAR, OR NEUROLOGICAL DISORDERS (SUCH AS VIBRATION WHITE FINGER OR RAYNAUD'S SYNDROME). TO REDUCE THE RISK OF INJURY, FOLLOW THESE INSTRUCTIONS:

- WEAR GLOVES AND KEEP HANDS AND BODY WARM.
- MAINTAIN A FIRM GRIP ON THE CHAIN SAW, BUT DO NOT USE PROLONGED, EXCESSIVE PRESSURE. LET THE CHAIN SAW DO THE WORK.
- ENSURE THAT THE CUTTING SYSTEM IS MAINTAINED PROPERLY.
- TAKE FREQUENT BREAKS.

THE VIBRATION IN NORMAL USE CAN DIFFER FROM THE STATED VALUES IN THIS MANUAL, DEPENDING ON THE MATERIAL BEING CUT, MAINTENANCE OF THE CUTTING SYSTEM AND OTHER FACTORS.

- When cutting a limb that is under tension be alert for spring back. When the tension in the wood fibers is released the spring loaded limb may strike the operator and/or throw the chain saw out of control.
- Use extreme caution when cutting brush and saplings. The slender material may catch the saw chain and be whipped toward you or pull you off balance.
- Carry the chain saw by the front handle with the chain saw switched off and away from your body. When transporting or storing the chain saw always fit the guide bar cover. Proper handling of the chain saw will reduce the likelihood of accidental contact with the moving saw chain.
- Follow instructions for lubricating, chain tensioning and changing accessories. Improperly tensioned or lubricated chain may either break or increase the chance for kickback.
- Keep handles dry, clean, and free from oil and grease. Greasy, oily handles are slippery causing loss of control.
- Cut wood only. Do not use chain saw for purposes not intended. For example: do not use chain saw for cutting plastic, masonry or non-wood building materials. Use of the chain saw for operations different than intended could result in a hazardous situation.
- Use two hands when operating the chain saw.
- The work piece, bar, and chain can be hot after cutting. Wear gloves to avoid burns.
- Use proper auxiliary equipment and ensure that it is not damaged, of adequate strength, and securely placed. Use auxiliary equipment only for the purpose for which it is intended.

CAUSES AND OPERATOR PREVENTION OF KICKBACK



Kickback may occur when the nose or tip of the guide bar touches an object, or when the wood closes in and pinches the saw chain in the cut.

Tip contact in some cases may cause a sudden reverse reaction, kicking the guide bar up and back towards the operator.

Pinching the saw chain along the top of the guide bar may push the guide bar rapidly back towards the operator.

Either of these reactions may cause you to lose control of the saw which could result in serious personal injury. Do not rely exclusively upon the safety devices built into your saw. As a chain saw user, you should take several steps to keep your cutting jobs free from accident or injury.

Kickback is the result of tool misuse and/or incorrect operating procedures or conditions and can be avoided by taking proper precautions as given below:

- **Maintain a firm grip, with thumbs and fingers encircling the chain saw handles, with both hands on the saw and position your body and arm to allow you to resist kickback forces.** *Kickback forces can be controlled by the operator, if proper precautions are taken. Do not let go of the chain saw.*
- **Do not overreach and do not cut above shoulder height.** *This helps prevent unintended tip contact and enables better control of the chain saw in unexpected situations.*
- **Only use replacement bars and chains specified by the manufacturer.** *Incorrect replacement bars and chains may cause chain breakage and/or kickback.*

- **Follow the manufacturer's sharpening and maintenance instructions for the saw chain.** *Decreasing the depth gauge height can lead to increased kickback.*

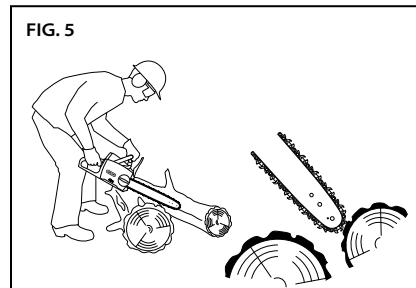
KICKBACK SAFETY DEVICES ON THIS SAW

⚠ DANGER: NEVER MODIFY OR ATTEMPT TO DISABLE THE CHAIN BRAKE.

⚠ DANGER: ONLY USE REPLACEMENT BARS AND CHAINS SPECIFIED BY OREGON®. *Incorrect replacement bars and chains may cause chain breakage and increased risk of kickback injury.*

CHAIN BRAKE

This chain saw comes equipped with a chain brake, which stops both the motor and the motion of the chain when kickback occurs (Fig. 5). The chain brake can be activated by the forward motion of the front hand guard as the saw rotates backward during kickback; it can also be activated by the inertial forces generated from a kickback event.



CHAIN

This saw comes equipped with a saw chain that met the reduced kickback requirements of ANSI B175.1 when tested on a representative sample of chain saws. For replacement chain, see "Specifications and Components" in this manual.

BAR

This saw comes equipped with a reduced kickback guide bar that has a small radius nose. Smaller radius noses have less potential for kickback than a bar of the same size with a larger nose radius.

When replacing the bar, only order the bar listed in this manual to maintain low kickback performance.

STORAGE, TRANSPORTING, AND DISPOSAL**STORING THE CHAIN SAW**

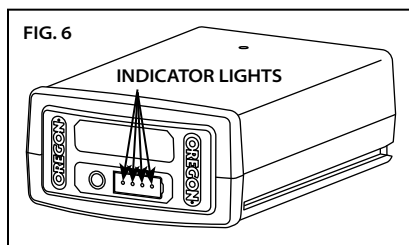
- Remove the battery pack from the chain saw.
- Clean chain saw thoroughly.
- Install the blade cover.
- Store in a dry place.
- Keep out of reach of children or pets.
- It is normal for a small amount of oil to seep from the guide bar when the chain saw is not in use. To protect against seepage, install the blade cover and place an absorbent pad under the bar.

STORING THE BATTERY PACK

When storing the battery pack longer than nine months, follow these guidelines:

- Remove the battery pack from the chain saw or charger.
- Store in a cool, dry place.
- Keep out of reach of children or pets.

- To prolong battery life, never store battery pack in a completely discharged condition (with no indicator lights lit) (Fig. 6).



- For maximum battery life, make sure the battery pack is charged once per year or when the LED indicator shows only one light.
- Store at a temperature between -4°F to 86°F (-20°C and 30°C).

STORING THE CHARGER

- Remove battery pack from the charger.
- Disconnect charger from power source.
- Store in a dry place.
- Keep out of reach of children or pets.

See "Maintenance and Cleaning" for more information.

TRANSPORTING THE CHAIN SAW

- Remove battery pack from the chain saw.
- Install the blade cover.
- If desired, drain the bar and chain oil to reduce seepage.
- Carry saw with bar and chain facing behind the operator.
- Tools can shift during transport. Ensure the tool is secure and cannot fall or move into contact with people or property.

TRANSPORTING THE BATTERY PACK

Observe respective local and national regulations when shipping lithium ion batteries, compulsory labeling may be required.

CHAIN SAW AND CHARGER DISPOSAL

The OREGON® product is designed and manufactured with high quality materials and components which can be recycled and reused. Please dispose of this equipment in an environmentally correct manner at a local community waste collection/recycling center.

BATTERY PACK DISPOSAL

Do not dispose of battery pack in household garbage or incinerate. Local waste management and recycling agencies have information on proper recycling or disposal instructions. Battery packs can be collected in the United States or Canada through Rechargeable Battery Recycling Corporation. OREGON® has already paid the costs involved to recycle battery packs. Return end of life battery packs to participating retailer or recycling center. Return locations and more information can be found at www.call2recycle.org or 1-800-8BATTERY.



BATTERY SAFETY

⚠ WARNING: IMPROPER BATTERY CARE CAN CAUSE THE BATTERY TO LEAK HAZARDOUS CHEMICALS, OVERHEAT, EMIT SMOKE, BURST, FLARE, EXPLODE, AND/OR IGNITE. FOLLOW THESE SAFETY RULES.

⚠ CAUTION: DO NOT DISPOSE OF THE BATTERY PACK IN THE HOUSEHOLD WASTE OR FIRE. LITHIUM ION BATTERY PACKS SHOULD BE RECYCLED BY A LOCAL AUTHORIZED RECYCLER.

IMPORTANT: EXPOSURE TO EXCESSIVE HEAT CAN CAUSE A LOSS IN PERFORMANCE AND/OR SERVICE LIFE. DO NOT EXPOSE BATTERY PACK TO EXCESSIVE HEAT, SUCH AS THE INTERIOR OF A VEHICLE IN HOT WEATHER.

- Do not attempt to recharge a non-rechargeable battery pack.
- Do not disassemble or modify the battery pack. This can damage safety features.
- Do not connect the positive (+) and negative (-) terminals with metal objects or store the battery pack with metal objects such as coins or screws. This can cause short-circuiting and generate enough heat to cause burns.
- Do not incinerate the battery pack or expose to excessive heat. This can melt insulation or damage safety features.
- Do not use, charge, or store near heat higher than 176°F (80°C). This can cause overheating and internal short-circuiting.
- Do not expose to extremely wet conditions. This can damage safety features, cause extremely high current and voltage charging, and lead to abnormal chemical reactions.

- Use only the charger specifically designed for the battery pack, and follow the safety precautions described in “Charger Safety”. Using another charger can damage safety features, cause extremely high current and voltage charging, and lead to abnormal chemical reactions.
- Do not use OREGON® branded battery packs in non-OREGON® branded tools.
- Do not strike, pierce, or throw the battery pack, and do not use a damaged or deformed battery pack.
- If recharging fails, do not attempt to recharge.
- If the battery pack gives off an odor, generates heat, or is discolored, deformed, or abnormal in any way during use, recharging, or storage, immediately remove from the chain saw or charger.
- Any liquid leaking from the battery is corrosive, can damage eyes and skin, and may be toxic if swallowed.

CHARGER SAFETY

IMPORTANT SAFETY INSTRUCTIONS

⚠ WARNING: RISK OF ELECTRIC SHOCK. WHEN USED OUTDOORS, INSTALL ONLY TO A COVERED “CLASS A” GFCI PROTECTED RECEPTACLE THAT IS WEATHERPROOF WITH THE POWER UNIT CONNECTED TO THE RECEPTACLE. IF ONE IS NOT PROVIDED, CONTACT A QUALIFIED ELECTRICIAN FOR PROPER INSTALLATION. ENSURE THAT THE POWER UNIT AND CORD DO NOT INTERFERE WITH COMPLETELY CLOSING THE RECEPTACLE COVER.

IMPORTANT: THIS APPLIANCE IS NOT INTENDED FOR USE BY PERSONS (INCLUDING CHILDREN) WITH REDUCED PHYSICAL, SENSORY OR MENTAL CAPABILITIES, OR LACK OF KNOWLEDGE, UNLESS THEY HAVE BEEN GIVEN SUPERVISION OR INSTRUCTION BY A PERSON RESPONSIBLE FOR THEIR SAFETY. CHILDREN SHOULD BE SUPERVISED TO ENSURE THAT THEY DO NOT PLAY WITH THE APPLIANCES.

IMPORTANT: USE THIS CHARGER ONLY WITH THE SUPPLIED POWER CORD, MAKING SURE THAT THE INPUT PLUG CORRECTLY MATES TO THE OUTPUT RECEPTACLE.

When using electrical products, basic precautions should always be practiced including the following:

- **Read and follow all safety instructions before use.** *Read and follow all instructions that are on the product or provided with the product.*
- **Save these instructions.**
- **Do not use an extension cord.**
- **Damaged or entangled cords increase the risk of electric shock.** *Do not abuse the cord. Never use the cord for carrying, pulling or unplugging the power tool. Keep cord away from heat, oil, sharp edges or moving parts.*
- **Do not expose the charger to rain.** *For indoor use only.*
- **Do not use within 10 feet (3 m) of a pool.**
- **Do not use in a bathroom.**

UNPACKING AND ASSEMBLY

UNPACKING

⚠ DANGER: TO AVOID SERIOUS PERSONAL INJURY, DO NOT OPERATE THE CHAIN SAW WITHOUT THE GUIDE BAR, SAW CHAIN AND SIDE COVER PROPERLY ASSEMBLED.

⚠ WARNING: DO NOT ATTEMPT TO OPERATE THE CHAIN SAW IF ANY PART IS DAMAGED OR MISSING.

WHAT'S IN THE BOX?

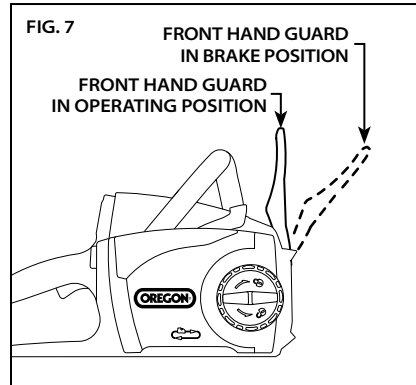
The chain saw requires some assembly before use. These items ship with the chain saw:

- Powerhead
- Guide bar
- Saw chain
- Blade cover
- Chain tensioning gear
- Chain tensioning o-ring
- Chain tensioning screw
- Bar and chain oil
- Charger and power cord (if so equipped)
- Battery (if so equipped)

After removing the chain saw from the box, inspect it carefully to ensure no damage has occurred during shipping, and that no parts are missing. If any parts are damaged or missing, do not use the chain saw. Contact OREGON® Cordless Tool System at 888.313.8665 to obtain replacement parts.

CHECKING THE FRONT HAND GUARD POSITION

After unpacking the chain saw, check the position of the front hand guard. The chain saw will not run with the chain brake engaged. Pull the front hand guard back towards the front handle before operation (Fig. 7).

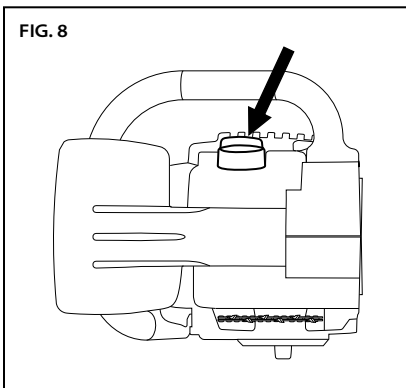


FILLING THE BAR AND CHAIN OIL RESERVOIR

IMPORTANT: BAR AND CHAIN OIL PREVENTS PREMATURE WEAR. NEVER OPERATE THE CHAIN SAW IF OIL IS NOT VISIBLE. CHECK OIL LEVEL FREQUENTLY AND FILL AS NEEDED.

Bar and chain oil is required to properly lubricate the guide bar and saw chain. The chain saw is equipped with an automatic oiler that deposits oil on the bar and chain when running, keeping them properly lubricated. Use OREGON® bar and chain oil for best results. It is specially designed to provide low friction and faster cuts. NEVER use oil or other lubricants not specifically designed for use on the bar and chain. This can lead to a clogged oil system, which may cause premature wear of the bar and chain.

Place the chain saw on its side on a firm, flat surface, so that the oil cap is on top (Fig. 8).



- Clean any debris from the cap area.
- Remove the cap.
- Carefully pour the bar and chain oil into the reservoir.
- Replace the cap and make sure oil is visible in the reservoir.

If oil is not visible in the reservoir, additional bar and chain oil is necessary.

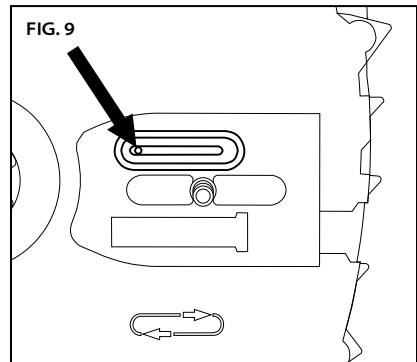
PRIMING THE OILER

▲ WARNING: TO REDUCE THE RISK OF INJURY, NEVER RUN THE CHAIN SAW WITHOUT THE SIDE COVER.

▲ CAUTION: KEEP HANDS, CLOTHING, AND HAIR AWAY FROM THE DRIVE SPROCKET WHEN PRIMING THE OILER.

If this is the first time filling the bar and chain oil reservoir, or if the chain saw has been stored for a long period of time without use, prime the oiler.

- Insert the battery.
- Run the chain saw for about two minutes.
- Remove the battery.
- Remove the side cover by turning the side cover release knob counterclockwise.
- Check for oil on the bar pad (Fig 9).



- If no oil is present on the bar pad, replace the side cover and run for another 30 seconds.
- When oil begins to seep from the hole, the chain saw is ready for guide bar and saw chain assembly.

If oil is not visible in the reservoir, additional bar and chain oil is necessary.

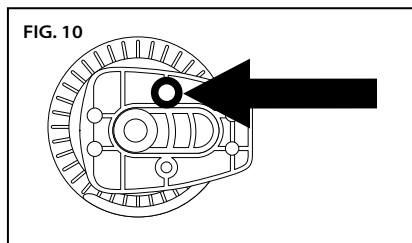
ASSEMBLING THE GUIDE BAR AND SAW CHAIN



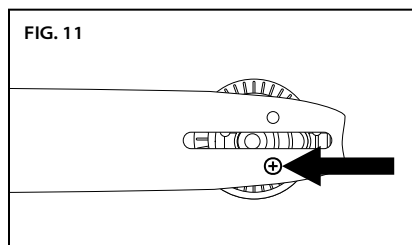
⚠ WARNING: A BATTERY OPERATED TOOL WITH THE BATTERY PACK INSERTED IS ALWAYS ON AND CAN START ACCIDENTALLY. REMOVE THE BATTERY PACK FROM THE CHAIN SAW BEFORE ATTACHING THE BAR AND CHAIN.

Wear gloves.

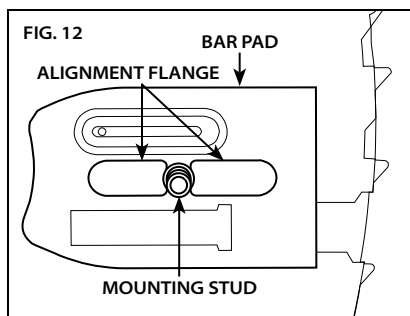
- Remove the battery.
- Loosen the side cover release knob by turning it counterclockwise, then remove the side cover.
- There is a rubber o-ring that is important to the function of the saw. The rubber o-ring must be in place around the pin on the tensioner before the tensioner is screwed onto the bar (Fig. 10).



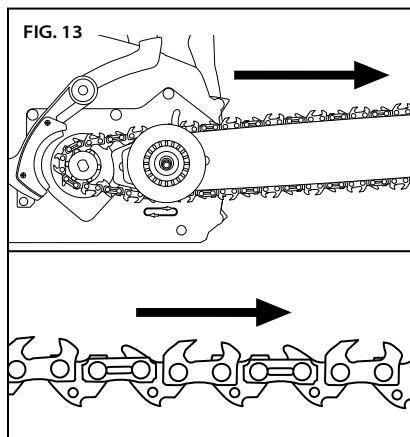
- Insert the screw from the back side of the chain tensioning gear and attach the chain tensioning gear onto the guide bar (Fig. 11).



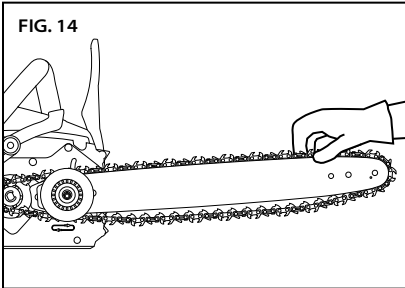
- Place the chain tensioning gear on the side of the guide bar facing you such that the rectangular piece does not protrude past the edges of the guide bar and insert the screw.
- Place the guide bar on the bar pad by sliding the bar slot over the alignment flange (Fig. 12), with the mounting stud inserted through the hole in the chain tensioning gear.



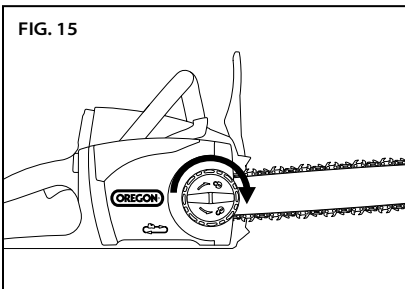
- Loop the new saw chain onto the drive sprocket so that the cutting edges of the teeth along the top of the bar face away from the powerhead (Fig. 13).



- Feed the chain into the groove of the bar. Rotate the chain tensioning gear to slide the bar away from the motor to remove slack from the chain (Fig. 14).



- Install the side cover, making sure the chain catcher is properly seated in its hole, then lightly tighten the side cover release knob (Fig. 15).



TENSIONING THE SAW CHAIN



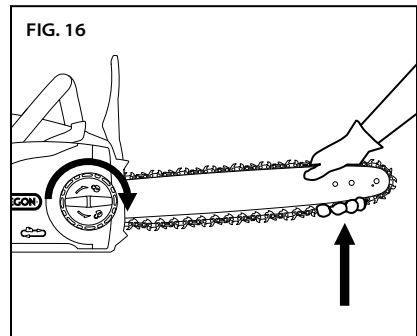
▲ WARNING: A BATTERY OPERATED TOOL WITH THE BATTERY PACK INSERTED IS ALWAYS ON AND CAN START ACCIDENTALLY. REMOVE THE BATTERY PACK FROM THE CHAIN SAW BEFORE ATTACHING THE EXTENDABLE SHAFT, BAR, AND CHAIN.

▲ WARNING: IF THE CHAIN IS STILL LOOSE WHEN THE SAW IS AT MAXIMUM TENSION, REPLACE THE CHAIN.

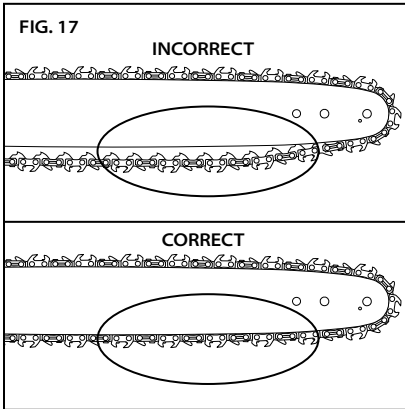
IMPORTANT: ONLY TENSION THE SAW CHAIN WHEN THE CHAIN IS COOL. A HOT CHAIN MAY CONTRACT AND DAMAGE THE GUIDE BAR OR CHAIN AS IT COOLS.

Wear gloves.

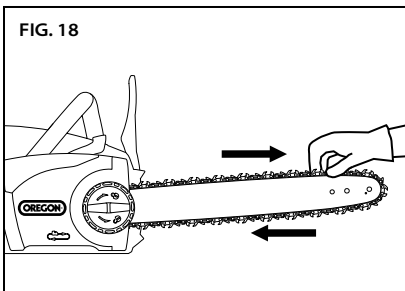
- Remove the battery.
- Loosen the side cover release knob slightly, but do not remove the side cover.
- Hold up the nose of the guide bar (Fig. 16) and turn the chain tensioning ring clockwise.



- Tighten the chain tensioning ring until the lowest cutters underneath the bar contact the bar rail (Fig. 17).



- Saw chain tension is correct when, with some effort, a gloved hand can pull the chain smoothly around the bar. The chain should touch the underside of the bar rail (Fig. 18).



- Tighten the side cover release knob.
- After a short period of use, allow the chain to cool, remove the battery and check the tension again. Watch tension carefully for the first half-hour of use and periodically throughout the life of the chain readjusting as required when the chain and bar are cool to the touch. Never tension chain when it is hot.

Chain will stretch as a result of normal use, however, insufficient oil, aggressive use or failure to perform recommended maintenance can lead to premature stretching.

OPERATING THE SAW

BATTERY PACK AND CHARGER

⚠ WARNING: DO NOT CHARGE THE BATTERY PACK IN THE RAIN.

BATTERY PACK LED CHARGE-LEVEL INDICATOR

The lithium ion battery pack is equipped with an LED charge-level indicator. To test the charge level of the battery pack, press the indicator button on the battery pack's face (Fig. 19).

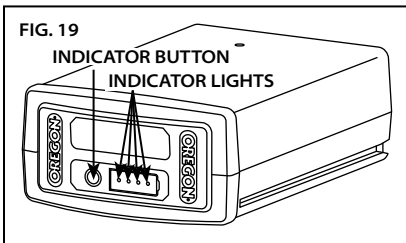
No lights: recharge.

One steady green light:
less than 25% charged.
Charge battery pack before use.

Two steady green lights:
26–50% charged.

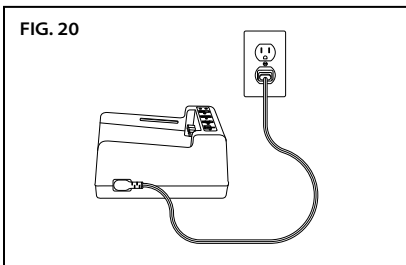
Three steady green lights:
51–75% charged.

Four steady green lights:
76–100% charged.



CONNECTING THE CHARGER

If the charger includes a separate power cord, connect the charger cord to the charger and to the proper electrical outlet (Fig. 20).



Only use the cord set that was supplied with the charger. At first use, verify that the plug type matches the receptacle.

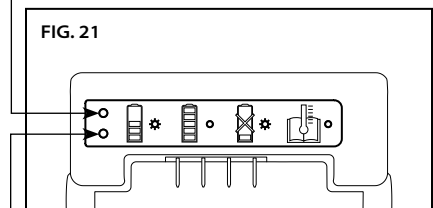
CHARGER LED CHARGE-STATE INDICATOR

The battery charger is equipped with an LED charge-state indicator that indicates the state of charging as well as conditions that may delay or prevent charging (Fig. 21).

Note: Until a battery pack is inserted, no lights will be visible.

Blinking orange light: a fault condition exists. There are several potential causes. See "Troubleshooting" in this manual.

Steady orange light: the battery pack temperature is beyond the acceptable range (32°F/0°C to 104°F/40°C). Allow the battery pack to reach the acceptable temperature range before charging. The pack may be left on the charger as the temperature adjusts. Charging will begin when the proper temperature is reached.



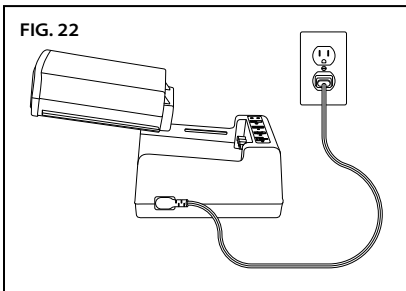
Blinking green light: battery pack is charging.

Steady green light: battery pack is ready for use.

CHARGING THE BATTERY PACK

⚠ WARNING: FAILURE TO FOLLOW PROPER CHARGING PROCEDURES MAY CAUSE EXCESSIVE VOLTAGE, EXCESSIVE CURRENT FLOW, LOSS OF CONTROL DURING CHARGING, LEAKAGE OF HAZARDOUS CHEMICALS, HEAT GENERATION, BURSTING, OR FIRE. FOLLOW THESE CHARGING INSTRUCTIONS.

With the charger cord connected to the charger and plugged into an electrical outlet, align the grooves in the battery with the rails on the charger and slide the battery pack onto the charger until fully seated (Fig. 22).

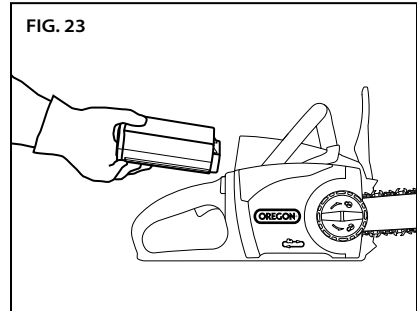


Check the charge-state indicator for charging conditions.

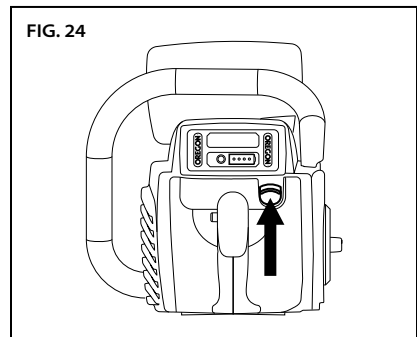
INSERTING AND RELEASING THE BATTERY PACK

Only use the OREGON® brand battery packs specified in these operating instructions.

Align the groove in the battery with the rails inside the battery port. Firmly insert the battery pack into the chain saw's battery port, pressing forward until it clicks as it locks into place (Fig. 23).



To remove the battery pack, lift up on the battery release and remove the pack (Fig. 24).



GENERAL OPERATION

⚠ DANGER: TO AVOID SERIOUS PERSONAL INJURY, DO NOT OVERREACH AND DO NOT STAND ON A LADDER, STEPSTOOL OR ANY RAISED POSITION THAT IS NOT FULLY SECURED. NEVER CUT ABOVE SHOULDER HEIGHT.

⚠ WARNING: TO REDUCE THE RISK OF INJURY, ALWAYS WEAR PROPER BOOTS, LONG PANTS, GLOVES, HEAD, EAR AND EYE PROTECTION.

OPERATING TEMPERATURE

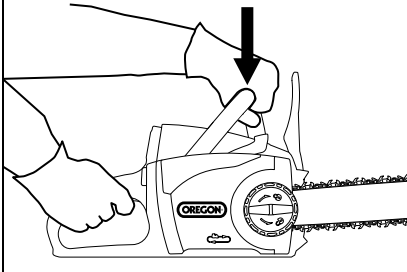
This chain saw is designed to operate within a temperature range of 32°F to 104°F (0°C to 40°C).

GRIP

Always grip the tool with both hands. Grasp the front handle with the left hand and the rear handle with the right (Fig. 25). Wrap the fingers over the top of the handle with the thumb below the handle.

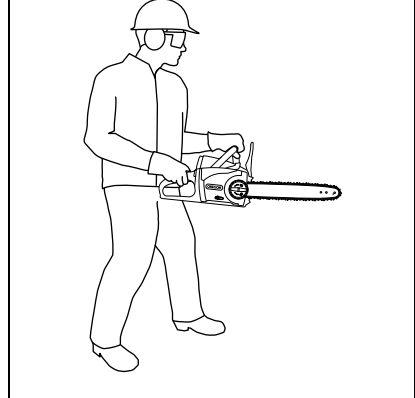
FIG. 25

GRIP WITH THUMB BELOW HANDLE

**FOOTING**

Stand with both feet on solid ground with weight evenly spread between them (Fig. 26).

FIG. 26

**STOPPING THE SAW**

Release the trigger switch to stop the chain saw.

STARTING THE CHAIN SAW

⚠ WARNING: TO REDUCE THE RISK OF INJURY, NEVER DEFEAT THE INTERLOCK BY TAPING, WIRING OR TYING DOWN THE TRIGGER LOCK-OUT.

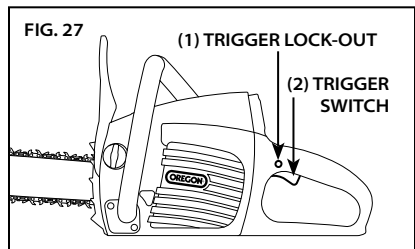
Make sure the chain brake is not engaged.

Grasp the front and rear handles firmly. Press and hold the trigger lock-out with the thumb (1). To start the saw, squeeze the trigger switch (2) (Fig. 27). There is no need to continue to press the trigger lock-out. It will remain disengaged until the trigger is released.

FIG. 27

(1) TRIGGER LOCK-OUT

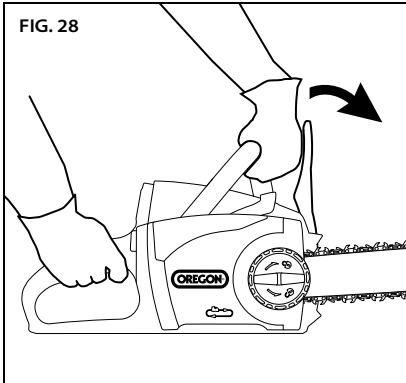
(2) TRIGGER SWITCH



TESTING THE CHAIN BRAKE

Make sure the chain brake is working before using the chain saw. To check brake operation:

- Place the saw on a firm, flat surface.
- Start the saw briefly.
- Keep the left hand on the front handle and roll the left wrist to move the front hand guard forward to manually activate the chain brake (Fig. 28).



- Release the trigger switch.

A properly functioning chain brake stops the motor and saw chain immediately. If the motor and saw chain do not stop immediately, have the chain brake checked at an approved service location.

- Return the front hand guard to operating position.

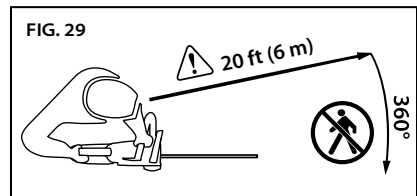
CUTTING

▲ WARNING: TO REDUCE THE RISK OF INJURY, WEAR PROPER BOOTS, LONG PANTS, GLOVES, HEAD, EAR AND EYE PROTECTION.

▲ WARNING: TO REDUCE THE RISK OF INJURY, ALWAYS BE SURE OF FOOTING AND HOLD THE CHAIN SAW FIRMLY WITH BOTH HANDS WHILE THE MOTOR IS RUNNING.

▲ WARNING: TO REDUCE THE RISK OF INJURY, PLAN AHEAD AND PLAN MULTIPLE ESCAPE PATHS BEFORE BEGINNING WORK.

▲ CAUTION: ESTABLISH A BYSTANDER SAFETY ZONE OF 20 FT (6 M) PRIOR TO OPERATION OF THIS EQUIPMENT. *Bystander safety zone is a minimum 20 ft (6 m) circle around the operator that must remain free from bystanders, children and pets (Fig. 29). Felling operations require a larger safety zone according to the size of the tree, see "Felling a Tree" section.*



IMPORTANT: PRACTICE CUTTING LOGS ON A SAWHORSE OR CRADLE UNTIL YOU BECOME COMFORTABLE OPERATING THE SAW.

To get the best performance and operate the saw safely, follow these instructions:

- Observe all applicable national and municipal rules and regulations for cutting.
- Take frequent breaks to reduce the risk of injury.
- Before beginning to cut, make sure the saw chain is properly tensioned and the chain is sharp.

Saw chains are made to cut wood only. Do not use the chain saw to cut any other materials, and do not allow the chain to come into contact with dirt, stones, nails, staples or wire. These materials are extremely abrasive and will wear away protective plating from the chain in a very short time.

Sharpen or replace the saw chain if any of these conditions occur:

- The pressure required to make cuts increases noticeably.
- Wood chips coming off of the chain are very fine or dust-like.

Do not work with a dull chain as it will increase the effort required to cut, cause jagged cuts, increase wear on the chain saw and increase the risk of kickback. Never force a dull chain to cut.

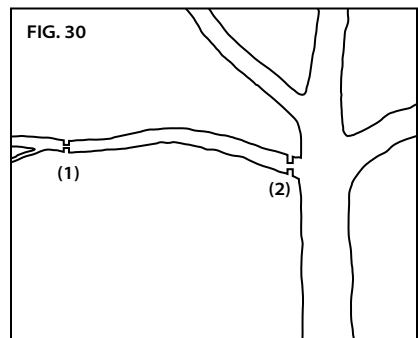
- Assume the proper cutting grip and stance in front of the wood with the saw turned off. Press the trigger lock-out and squeeze the trigger switch. Let the chain reach full speed before beginning the cut.
- Begin cutting by lightly pressing the guide bar against the wood. Use only light pressure and let the saw do the work.
- Maintain a steady speed throughout the cut releasing pressure just before the end of the cut.
- Know the location of the tip of the bar at all times and avoid contact with other objects.
- If the saw stops suddenly when cutting, remove the saw from the cut, then resume cutting using lighter pressure on the workpiece.

PRUNING

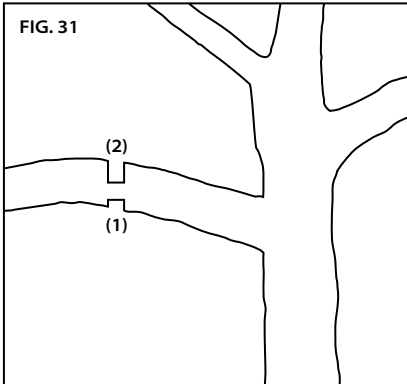
▲ CAUTION: FALLING LIMBS MAY BOUNCE OR “SPRING BACK” AFTER THEY HIT THE GROUND SO IT IS ESSENTIAL TO KEEP THE GROUND CLEAR TO PROVIDE MULTIPLE RETREAT PATHS. *Clear the work area and wear head protection.*

Pruning is removing dead or overgrown branches to maintain plant health.

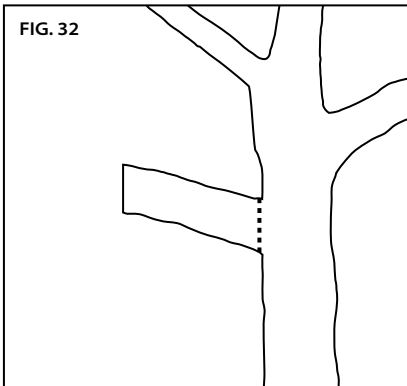
- Plan retreat paths before beginning to cut, and make sure there are no obstructions. Always know how to get out of the way of falling branches.
- Make sure bystanders or helpers are a safe distance from falling branches. Bystanders or helpers should not stand directly in front of or behind the operator. See Fig. 28.
- Maintain solid footing and hold the chain saw firmly with both hands. Do not overreach. Never climb a tree or ladder to reach high limbs.
- Secure any branches that might be hazardous.
- Use proper auxiliary equipment.
- Prune lower limbs before pruning higher ones.
- Allow the saw chain to achieve full speed before cutting.
- Apply light pressure to the branch.
- For long limbs (Fig. 30), cut the end of the limb first (1) to relieve pressure from the limb, then prune closer to the trunk (2).



- Thick limbs (greater than 4 inch (10 cm) in diameter) can splinter or pinch the chain when making a single cut from the top. To avoid pinching or splintering, first make one shallow relief cut on the bottom surface of the limb (1), then cut the limb all of the way through from the top of the limb (2) to match the bottom cut (Fig. 31).

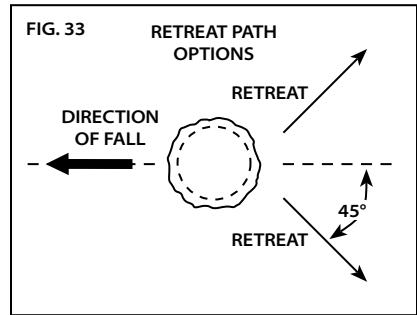


- After most of the limb has been removed, make one smooth cut near the trunk (Fig. 32).



FELLING A TREE

▲ CAUTION: A TREE IS LIKELY TO ROLL OR SLIDE DOWNHILL AFTER IT IS FELLED. Plan and clear a retreat path before cuts are started. The retreat path should extend back and diagonally to the rear of the expected line of fall (Fig. 33).

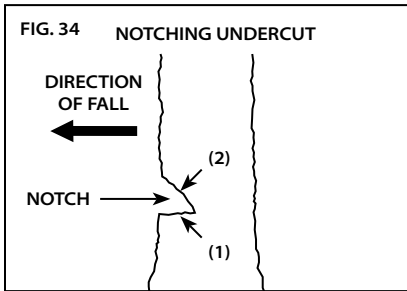


Felling is cutting down a tree.

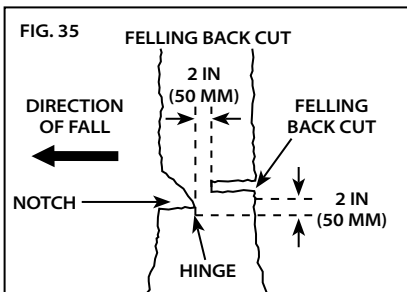
- Before felling is started, consider the natural lean of the tree, the location of larger branches and the wind direction to judge which way the tree will fall.
- Remove dirt, stones, loose bark, nails, staples and wire from the tree where felling cuts are to be made.
- When bucking and felling operations are being performed by two or more persons at the same time, separate the felling operation from the bucking operation by a distance of at least twice the height of the tree being felled.
- Trees should not be felled in a manner that would endanger any person, strike any utility line or cause any property damage. If the tree contacts any utility line, immediately leave the area and notify the utility company.
- Use the metal spikes on the front of the saw to support the saw on the wood. Set metal spiked bumper into the wood and use as a leverage point to increase stability when cutting large diameter wood.

NOTCHING UNDERCUT

- First, make the notch 1/3 the diameter of the tree perpendicular to the direction of fall. Make the lower horizontal notching undercut first (1). This will help to avoid pinching of either the saw chain or the guide bar when the second cut (2) is being made (Fig. 34).

**FELLING BACK CUT**

- Second, make the felling back cut at least 2 in (50 mm) higher than the horizontal notching undercut (Fig. 35). Keep the felling back cut parallel to the horizontal notching undercut.



- Make the felling back cut so enough wood is left to act as a hinge. The hinge wood keeps the tree from twisting and falling in the wrong direction. Do not cut through the hinge.
- As the felling cut gets close to the hinge, the tree should begin to fall.

- If there is any chance that the tree may not fall in the desired direction or it may rock back and bind the saw chain, stop cutting before the felling back cut is complete and use wedges of wood, plastic or aluminum to open the cut and drop the tree along the desired line of fall.

- When the tree begins to fall, remove the chain saw from the cut, stop the motor, put the chain saw down, then use the retreat path planned.

- Be alert for overhead limbs falling and watch footing.

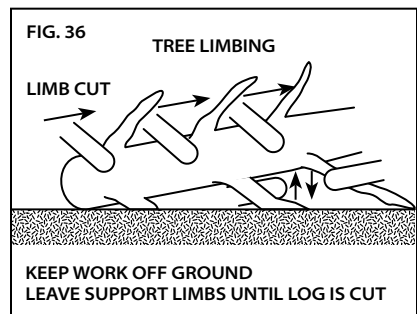
LIMBING A TREE

⚠ CAUTION: LIMBS UNDER TENSION CAN "SPRING BACK" AND CONTACT THE OPERATOR OR THROW THE CHAIN SAW OUT OF CONTROL RESULTING IN PERSONAL INJURY.

Always be alert for wood under tension which may strike the operator or chain saw when cut.

Limbing is removing the branches from a fallen tree.

- When limbing, leave larger lower limbs to support the log off the ground.
- Remove the small limbs in one cut.
- Branches under tension should be cut from the bottom up to avoid binding the chain saw (Fig. 36).

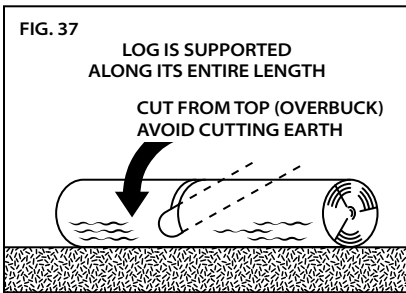


BUCKING A LOG

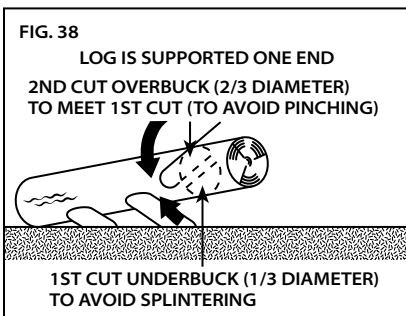
⚠ CAUTION: BUCKING LOGS UNDER TENSION INCREASES THE CHANCE OF KICKBACK. Use one of the methods below to support the log when bucking.

Bucking is cutting a log into lengths. It is important to make sure footing is firm and weight is evenly distributed on both feet. When possible, the log should be raised and supported by the use of limbs, logs or chocks.

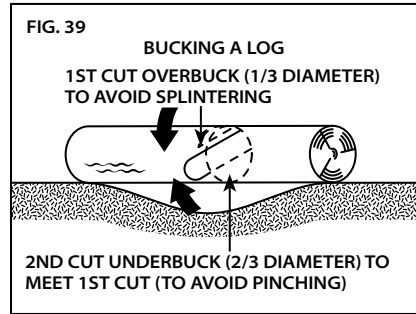
- When the log is supported along its entire length, cut from the top (overbuck) to avoid cutting earth (Fig. 37).



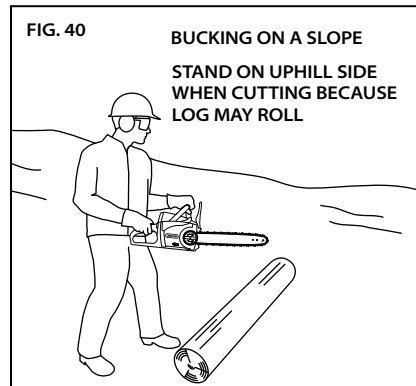
- When the log is supported on one end, cut 1/3 the diameter from the underside (underbuck), then make the finished cut by overbucking to meet the first cut (Fig. 38).



- When the log is supported on both ends, cut 1/3 of that diameter from the top overbuck, then make the finished cut by underbucking the lower 2/3 to meet the first cut (Fig. 39).



- When bucking on a slope, always stand on the uphill side of the log (Fig. 40).



- To maintain complete control when cutting through, release the cutting pressure near the end of the cut without relaxing the grip on the chain saw handles.
- Don't let the chain contact the ground.
- After completing the cut, wait for the saw chain to stop before you move the chain saw.
- Always stop the motor before moving from tree to tree.

SHARPENING WITH POWERSHARP®

⚠ WARNING: POWERSHARP® SHOULD NOT BE USED IN THE PRESENCE OF EXPOSED, EXTREMELY FLAMMABLE MATERIALS SUCH AS GASOLINE AND ACETYLENE.

⚠ CAUTION: SHARPENING WITH THE POWERSHARP® SYSTEM PRODUCES LOW ENERGY SPARKS.

⚠ CAUTION: THE POWERSHARP® INTEGRATED SHARPENING SYSTEM IS FOR USE ONLY WITH POWERSHARP® CHAIN. NEVER ATTEMPT TO SHARPEN OTHER CHAIN WITH THE INTEGRATED SHARPENER. DAMAGE TO THE CHAIN AND SHARPENER WILL OCCUR.

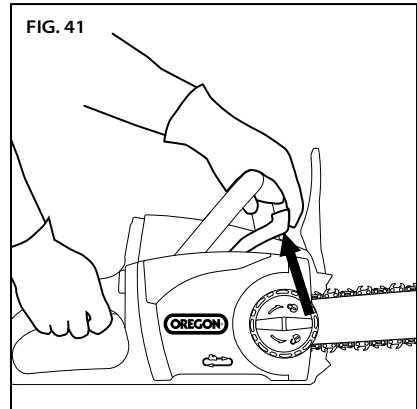
INTRODUCTION TO POWERSHARP®

This chain saw is equipped with the PowerSharp® integrated sharpening system, a fast and easy way to sharpen chain on the saw. It is time to sharpen the saw chain when cuts take longer or the wood chips become smaller, turning the wood chips into saw dust.

SHARPENING THE CHAIN

IMPORTANT: POWERSHARP® CHAIN USES UNIQUE TOP-SHARPENING CUTTERS AND CAN ONLY BE SHARPENED WITH A GENUINE POWERSHARP® SHARPENER.

- With the saw at full speed, lightly lift the PowerSharp® lever for 3–5 seconds (Fig. 41). Sparks will be visible when the cutters are in contact with the sharpening stone.



- Make a test cut to determine if the chain has been sufficiently sharpened. If not, repeat the sharpening procedure until the chain is sufficiently sharp.

IMPORTANT: DO NOT APPLY TOO MUCH FORCE WHEN SHARPENING. EXCESSIVE FORCE CAN REDUCE THE PERFORMANCE OF THE SHARPENING STONE.

IMPORTANT: IT IS NORMAL TO SEE A SMALL AMOUNT OF SPARKS AND SMOKE DURING SHARPENING AS THE CUTTERS CONTACT THE STONE AND FRICTION HEATS THE CHAIN.

WHEN TO REPLACE THE SHARPENING STONE

The sharpening stone is designed to wear at the same rate as the chain. Always replace the stone when replacing the chain even if it appears to have more life. See "Replacing a Worn Saw Chain and Sharpening Stone" in this manual.

MAINTENANCE AND CLEANING



⚠ WARNING: FAILURE TO IDENTIFY AND REPLACE DAMAGED OR WORN PARTS CAN CAUSE SERIOUS PERSONAL INJURY. INSPECT THE CHAIN SAW REGULARLY. REGULAR INSPECTION IS THE FIRST STEP TO PROPER MAINTENANCE. FOLLOW THE GUIDELINES BELOW TO MAXIMIZE SAFETY AND SATISFACTION. HAVE ANY DAMAGED OR EXCESSIVELY WORN PARTS REPLACED IMMEDIATELY.

⚠ WARNING: A BATTERY OPERATED TOOL WITH THE BATTERY PACK INSERTED IS ALWAYS ON AND CAN START ACCIDENTALLY. REMOVE THE BATTERY PACK FROM THE CHAIN SAW BEFORE INSPECTING, CLEANING, OR PERFORMING MAINTENANCE.

⚠ CAUTION: WHEN CLEANING THE CHAIN SAW, DO NOT IMMERSE IN WATER OR OTHER LIQUIDS.

INSPECTION

Before each use and if the chain saw has been dropped, inspect these parts:

- **Handles:** Front and rear handles should not have cracks or other damage. They should be clean and dry.
- **Front Hand Guard:** The front hand guard should be free of damage and able to move easily back and forth. When moved, the front hand guard should activate the chain brake.
- **Guide Bar:** The bar should be straight and free of chips, cracks or excessive wear.
- **Saw Chain:** The chain should be properly tensioned and sharp and all components free of cracks, chips, broken teeth or excessive wear. See

“Tensioning the Saw Chain” and “Sharpening with PowerSharp®”.

- **Side Cover:** The side cover should be free of cracks or other damage. It should fit tightly to the saw body with no warping. Make sure the chain catcher is free of cracks.
- **Battery Pack:** The battery pack should be clean, dry, with no signs of puncture, impact, or other damage. The contacts should be clean, dry and free of debris.
- **Battery Port:** The battery port and contacts should be clean, dry, and free of debris.
- **Chain Brake:** Test the chain brake to make sure it is functioning properly. See “Testing the Chain Brake” under “General Operation”.
- **Oil Level:** Make sure the oil reservoir is full before use. See “Filling the Bar and Chain Oil Reservoir”.
- **Automatic Oiler:** When the chain saw is running without the guide bar and saw chain attached, a small amount of oil should seep from the hole in the bar pad. See “Priming the Oiler”.
- **Motor Cover:** Check for cracks in the cover and debris in the air intake vents.

Periodically inspect these parts:

- **Drive Sprocket:** Look for deep grooves, broken teeth or burrs.
- **Chain Tensioning Gear:** Inspect the gear for cracks, chips, loose screw, warping or other damage.
- **Bar-Mounting Area Underneath Side Cover:** Make sure the mounting stud is not bent, stripped or cross-threaded and that the bar pad and alignment flange are free of debris and intact.
- **Charger:** The charger should be clean, dry, and free of punctures or other damage. The battery tray and contacts should be free of debris.

TENSIONING THE SAW CHAIN

IMPORTANT: ONLY TENSION THE SAW CHAIN WHEN THE CHAIN IS COOL. A HOT CHAIN MAY CONTRACT AND DAMAGE THE GUIDE BAR OR CHAIN AS IT COOLS.

If the chain does not touch the underside of the bar when the chain saw is off and cool, it should be tensioned.

Tension the chain as described in “Tensioning the Saw Chain” in the “Unpacking and Assembly” section of this manual.

REPLACING A WORN SAW CHAIN AND SHARPENING STONE

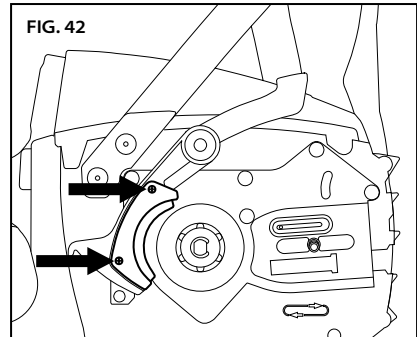
⚠ CAUTION: REPLACE POWERSHARP® SAW CHAIN AND THE SHARPENING STONE AT THE SAME TIME. FAILURE TO DO SO COULD RESULT IN DECREASED PERFORMANCE OR DAMAGE TO THE CHAIN AND/OR SHARPENING STONE.

⚠ CAUTION: THE POWERSHARP® INTEGRATED SHARPENING SYSTEM IS FOR USE ONLY WITH POWERSHARP® CHAIN. REMOVE THE SHARPENING STONE WHEN USING SAW CHAIN OTHER THAN POWERSHARP®. FAILURE TO DO SO MAY RESULT IN DAMAGE TO THE SAW CHAIN, SHARPENING SYSTEM AND/OR CHAIN SAW.

When the saw chain becomes cracked or has broken teeth, is stretched to the point that it cannot be kept at proper tension or simply cannot be sharpened, it must be replaced.

Wear gloves.

- Remove the battery.
- Loosen the side cover release knob slightly, but do not remove the side cover.
- Loosen the chain tensioning ring (turn it counterclockwise) as far as it will go.
- Loosen the side cover release knob and remove the side cover.
- Remove the saw chain.
- Remove the two screws holding the sharpening stone (Fig. 42).



- Remove the stone.
- Make sure the PowerSharp® lever and surrounding area are free of debris.
- Place the new stone on the lever and replace the screws.
- Replace the guide bar and saw chain. See “Assembling the Guide Bar and Saw Chain” section in this manual.
- Tension the chain as described in “Tensioning the Saw Chain” in the “Unpacking and Assembly” section of this manual.

IMPORTANT: THE SAW CHAIN MUST BE PROPERLY TENSIONED BEFORE USING. SEE “TENSIONING THE SAW CHAIN” IN THE “UNPACKING AND ASSEMBLY” SECTION OF THIS MANUAL.

MAINTAINING THE GUIDE BAR

⚠ WARNING: THE EDGES OF A WORN GUIDE BAR, PARTICULARLY THE EDGES OF THE GROOVE WHERE THE CHAIN TOUCHES THE BAR, CAN BE EXTREMELY SHARP. USE APPROPRIATE HAND PROTECTION.

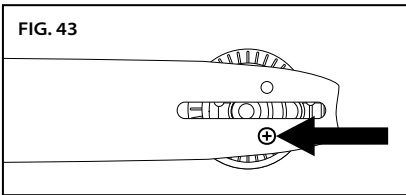
⚠ CAUTION: THE GUIDE BAR CAN BE HOT AFTER CUTTING. WEAR GLOVES TO AVOID BURNS.

To even bar wear and maximize bar life, flip the bar occasionally.

Wear gloves.

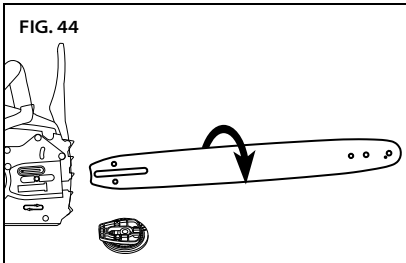
- Remove the battery.
- Loosen the side cover release knob slightly, but do not remove the side cover.
- Loosen the chain tensioning ring (turn it counterclockwise) as far as it will go.
- Loosen the side cover release knob and remove the side cover.
- Remove the bar and chain and inspect for damage and wear.
- Remove the screw from the back side of the chain tensioning gear and remove the chain tensioning gear from the guide bar (Fig. 43).

FIG. 43



- Flip the bar (Fig. 44).

FIG. 44



- Replace the guide bar and saw chain. See "Assembling the Guide Bar and Saw Chain" section in this manual.
- Tension the chain as described in "Tensioning the Saw Chain" in the "Unpacking and Assembly" section of this manual.

REPLACING A WORN GUIDE BAR

⚠ WARNING: THE EDGES OF A WORN GUIDE BAR, PARTICULARLY THE EDGES OF THE GROOVE WHERE THE CHAIN TOUCHES THE BAR, CAN BE EXTREMELY SHARP. USE APPROPRIATE HAND PROTECTION.

When the guide bar becomes cracked or has excessive wear around the edges, particularly in the groove where the saw chain touches the bar, it must be replaced. Also, if the nose sprocket is worn, has teeth missing or does not turn smoothly, the bar must be replaced.

Wear gloves.

- Remove the battery.
- Loosen the side cover release knob slightly, but do not remove the side cover.
- Loosen the chain tensioning ring (turn it counterclockwise) as far as it will go.
- Loosen the side cover release knob and remove the side cover.
- Remove the bar and chain.
- Remove the screw from the back side of the chain tensioning gear and remove the chain tensioning gear from the guide bar as described in "Maintaining the Guide Bar".
- Place the chain tensioning gear on the new guide bar and replace the screw.
- Replace the guide bar and saw chain. See "Assembling the Guide Bar and Saw Chain" section in this manual.
- Tension the chain as described in "Tensioning the Saw Chain" in the "Unpacking and Assembly" section of this manual.

REPLACING A WORN CHAIN TENSIONING GEAR

Replace the chain tensioning gear if it will not hold the bar and chain at proper tension or if it is otherwise damaged.

Wear gloves.

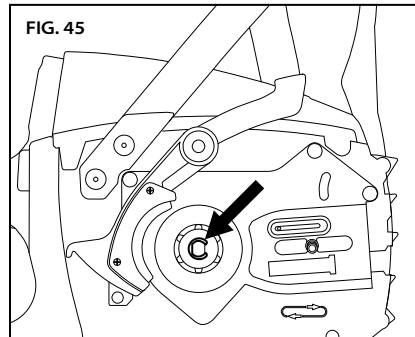
- Remove the battery.
- Loosen the side cover release knob slightly, but do not remove the side cover.
- Loosen the chain tensioning ring (turn it counterclockwise) as far as it will go.
- Loosen the side cover release knob and remove the side cover.
- Remove the bar and chain.
- Remove the screw from the back side of the chain tensioning gear and remove the chain tensioning gear from the guide bar.
- Place the new chain tensioning gear on the side of the guide bar facing you and replace the screw.
- Replace the guide bar and saw chain. See "Assembling the Guide Bar and Saw Chain" section in this manual.
- Tension the chain as described in "Tensioning the Saw Chain" in the "Unpacking and Assembly" section of this manual.

REPLACING THE DRIVE SPROCKET

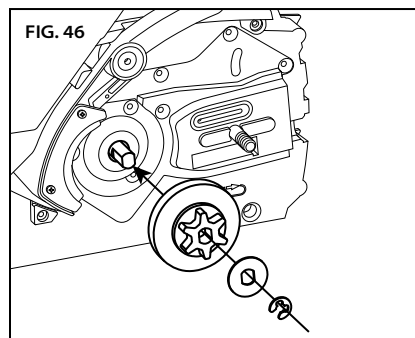
Replace the drive sprocket after every two saw chain replacements or when the sprocket is damaged.

Wear gloves and eye protection.

- Remove the battery.
- Loosen the side cover release knob slightly, but do not remove the side cover.
- Loosen the chain tensioning ring (turn it counterclockwise) as far as it will go.
- Loosen the side cover release knob and remove the side cover.
- Remove the bar and chain.
- Use a small flat screwdriver to pry open and remove the e-clip, then remove the washer and drive sprocket (Fig. 45).



- Insert the new drive sprocket and washer, and install the new e-clip (Fig. 46).



- Replace the guide bar and saw chain. See “Assembling the Guide Bar and Saw Chain” section in this manual.
- Tension the chain as described in “Tensioning the Saw Chain” in the “Unpacking and Assembly” section of this manual.

CLEANING

⚠ WARNING: TO REDUCE THE RISK OF INJURY, REMOVE BATTERY PACK BEFORE CLEANING.

⚠ CAUTION: WHEN CLEANING THE CHAIN SAW POWERHEAD, DO NOT IMMERSE IN WATER OR OTHER LIQUIDS.

Wear gloves and eye protection.

- Remove the battery.
- Remove wood chips and other debris from the battery port. Make sure the contacts are clean and dry.
- After use, clean debris from the saw chain and guide bar. Wipe power head with a clean cloth moistened with a mild soap solution. Never use harsh cleaners or solvents.
- Always clean out wood chips, saw dust and dirt from the bar groove when replacing the chain.
- Ensure that the chain tensioning gear is free of wood chips and other debris.

BATTERY PACK

IMPORTANT: THERE ARE NO USER SERVICEABLE PARTS INSIDE THE BATTERY PACK. DO NOT DISASSEMBLE.

Lithium ion batteries have a finite operating life. If the amount of cutting time per charge decreases noticeably, the battery pack is at the end of its useful life and should be replaced.

- Make sure the battery pack, including the contacts, is clean, dry, and has no signs of puncture, impact, or other damage. Broken batteries can cause fires or emit hazardous chemicals.
- Clean dirty contacts with a soft, dry cloth. Dirt or oil can cause a poor electrical connection, resulting in loss of power.

CHARGER

- Unplug the charger from the electrical outlet.
- Clean dirty contacts with a soft, dry cloth.

ADDITIONAL MAINTENANCE INFORMATION

For further information on maintaining the saw chain, guide bar, and drive sprocket, consult the OREGON® Maintenance and Safety Manual at <http://oregonproducts.com/maintenance/manual.htm>.

TROUBLESHOOTING

Use this table to see possible solutions for problems with the chain saw. If these suggestions do not solve the problem, see "Warranty and Service".

SYMPTOM	POSSIBLE CAUSE	RECOMMENDED ACTIONS
Motor does not run or runs intermittently	Chain brake engaged	Before starting, make sure the hand guard is in its most rearward position (chain brake disengaged). For correct hand guard position, see "Starting the Saw" in this manual.
	Battery discharged	Recharge. See "Charging the Battery Pack" in this manual.
	Trigger lock-out not pressed	Trigger lock-out must be depressed. See "Starting the Saw" in this manual.
	Battery pack not fully inserted	Clean debris from the battery port and terminals with a clean dry cloth or non-conductive brush.
	Debris in side cover	Remove battery pack, then remove side cover and clean out debris.
	Battery pack cold	Allow battery to warm above the minimum operating temperature of 32°F (0°C).
Motor runs, but chain does not rotate	Chain not engaging drive sprocket	Reinstall the chain, making sure the drive links on the chain are fully seated on the sprocket. See "Maintenance and Cleaning" in this manual for installation instructions.
	Guide bar nose sprocket is not turning	Replace the guide bar. See "Replacing a Worn Guide Bar" in this manual.
Chain brake does not engage	Debris preventing full movement of hand guard	Clean debris from external chain brake mechanism.
	Possible chain brake malfunction	Contact an approved service location immediately. ⚠ WARNING: OPERATING A CHAIN SAW WITHOUT A FUNCTIONING CHAIN BRAKE COULD LEAD TO SERIOUS PERSONAL INJURY.
Chain saw does not cut properly	Insufficient chain tension	See "Tensioning the Saw Chain" in this manual.
	Dull chain	See "Sharpening with PowerSharp®" in this manual.
	Chain installed backwards	See "Assembling the Guide Bar and Saw Chain" in this manual.
	Worn chain	Replace both the chain and stone. They are designed to wear at the same rate.
	Dry or excessively stretched chain	Check the oil level. Refill oil reservoir if necessary. See "Filling the Bar and Chain Oil Reservoir" in this manual. Check for a clogged oil system. A small amount of oil should be delivered to the bar.
	Chain not in bar groove	See "Assembling the Guide Bar and Saw Chain" in this manual.

SYMPTOM	POSSIBLE CAUSE	RECOMMENDED ACTIONS
Steady alarm beeping when trigger pulled	Heavy use has overheated the motor	Let the saw cool down and then resume cutting.
	Chain brake is engaged	Before starting, make sure the hand guard is in its most rearward position (chain brake disengaged). For correct hand guard position, see "Starting the Saw" in this manual.
Battery pack does not charge	Battery pack over/under temperature protection is activated	This may occur when the saw is run continuously or exposed to high ambient temperatures. Allow the battery pack to reach the acceptable temperature before charging. See "Battery Pack and Charger" in this manual.
	Dirty or damaged contacts on battery pack or charger	Inspect the contacts on the both the battery pack and charger. If necessary, clean according to the instructions in this manual. Reinsert battery pack into the charger, making sure it is fully seated.
	Battery pack is at the end of its life	All batteries have a limited life. If the battery pack is more than two years old or has been recharged frequently, it may be time to replace it. Replace only with the battery pack specified for this chain saw.
	Charger faulty	Have the function checked at an approved service location.
Low cut time per battery charge	Dull chain	See "Sharpening with PowerSharp®" in this manual.
	Worn chain	Replace the chain. See "Replacing a Worn Saw Chain and Sharpening Stone" in this manual.
	Dry chain	Check the oil level. Refill oil reservoir if necessary. See "Filling the Bar and Chain Oil Reservoir" in this manual.
	Over tensioned chain	See "Tensioning the Saw Chain" in this manual.
	Improper cutting technique	Follow guidelines in "Cutting" in this manual.
	Debris in side cover	Remove battery pack, then remove side cover and clean out debris.
	Battery pack not fully charged	Recharge. See "Battery Pack and Charger" in this manual.
Blinking orange light on charge state indicator	<p>1. Make sure the charger cord is connected to both the charger and the electrical outlet.</p> <p>2. Make sure the charger is receiving the correct voltage.</p> <p>3. Try charging another battery pack designed for this charger.</p> <p>If this does not correct the problem, have the function checked at an approved service location.</p>	

SPECIFICATIONS AND COMPONENTS

⚠ WARNING: USING REPLACEMENT PARTS OTHER THAN THOSE SPECIFIED IN THIS GUIDE INCREASES THE RISK OF INJURY. NEVER USE CUTTING ATTACHMENTS OTHER THAN THOSE DESCRIBED IN THIS MANUAL.

REPLACEMENT COMPONENTS		PART NUMBER	
GUIDE BAR	14 inch (35 cm)	140SDEA041	
	16 inch (40 cm)	160SDEA041	
SAW CHAIN AND STONE, POWERSHARP®	14 inch (35 cm) 52 DRIVE LINK	560507	
	16 inch (40 cm) 56 DRIVE LINK	560510	
ALTERNATIVE SAW CHAIN	14 inch (35 cm) 52 DRIVE LINK	OREGON® S52	
	16 inch (40 cm) 56 DRIVE LINK	OREGON® S56	
BATTERY PACK, MODEL B600E		548208	
BATTERY PACK, MODEL B400E		545938	
BATTERY PACK, MODEL B500S		545937	
CHARGER WITH CORD, MODEL C600		540580	
CHARGER WITH CORD, MODEL C750		548185	
CHARGER, MODEL C600			
INPUT	100-240V~ 50-60Hz 60W		
INPUT (U.S. AND CANADA ONLY)	120V~ 60Hz 60W		
OUTPUT	41.5V=== 1.25A		
POWER CORD	US/CAN P/N: 546636 EU P/N: 547383 UK P/N: 547384 AU/NZ P/N: 560663		
BATTERY PACK			
TYPE	LITHIUM ION		
OPERATING TEMPERATURES	32°F to 104°F (0°C to 40°C)		
MODEL	CAPACITY, NOMINAL	VOLTAGE, NOMINAL	C600 CHARGE TIME (APPROX.)
B600E	4.00 Ah / 144 Wh	+36 VDC	210 MINUTES
B400E	2.40 Ah / 89 Wh	+37 VDC	120 MINUTES
B500S	1.25 Ah / 47 Wh	+37 VDC	60 MINUTES
CHAIN SAW			
OIL CAPACITY	4.1 oz (120 ml)		
BAR AND CHAIN OIL	OREGON® BRAND		
DRY WEIGHT WITH B400E	12.9 lb (5.9 kg)		
DRY WEIGHT WITHOUT BATTERY, BAR, AND CHAIN	8.3 lb (3.8 kg)		
SOUND POWER LEVEL	100 dB (K = 2.5 dB)		
VIBRATION	.794 m/s ² (FRONT HANDLE) 1.891 m/s ² (REAR HANDLE)		
MAX BAR LENGTH	16 inch (40 cm)		
CHAIN PITCH	3/8 inch LOW PROFILE - 91		
CHAIN GAUGE	.050 inch (1.3 mm)		
SPROCKET TEETH	6		
NO LOAD CHAIN SPEED	46.6 ft/s (14.2 m/s)		

WARRANTY AND SERVICE

WARRANTY

Blount, Inc. warrants all registered OREGON® Cordless Tools and Chargers for a period of three (3) years and all registered OREGON® Cordless Battery Packs for two (2) years from original date of purchase. Registered OREGON® Cordless Tools, Battery Packs and Chargers are warranted for two (2) years if used for commercial purposes. This limited warranty applies to the OREGON® Cordless Tool System manufactured products. During the warranty period, Blount will replace or, at its option, repair for the original purchaser only, free of charge, any product or part which is found upon examination by Blount to be defective in material and/or workmanship. The purchaser shall be responsible for all transportation charges and any cost of removing any part submitted for replacement under this warranty.

To register your product, visit the "support" section of OregonCordless.com.

SERVICE AND SUPPORT INFORMATION

Visit us on the web at **OregonCordless.com** for service center information, or contact our customer service department at 888.313.8665 for assistance, additional technical advice, repair, replacement parts, or to register the product.

For safety, use only genuine factory replacement parts on the chain saw. Our service center is staffed with trained personnel to efficiently provide support and assistance with adjustment, repair, or replacement of all OREGON® Cordless Tool System products.

Blount International Inc.
4909 Southeast International Way
Portland, OR 97222-4679
USA



OregonCordless.com