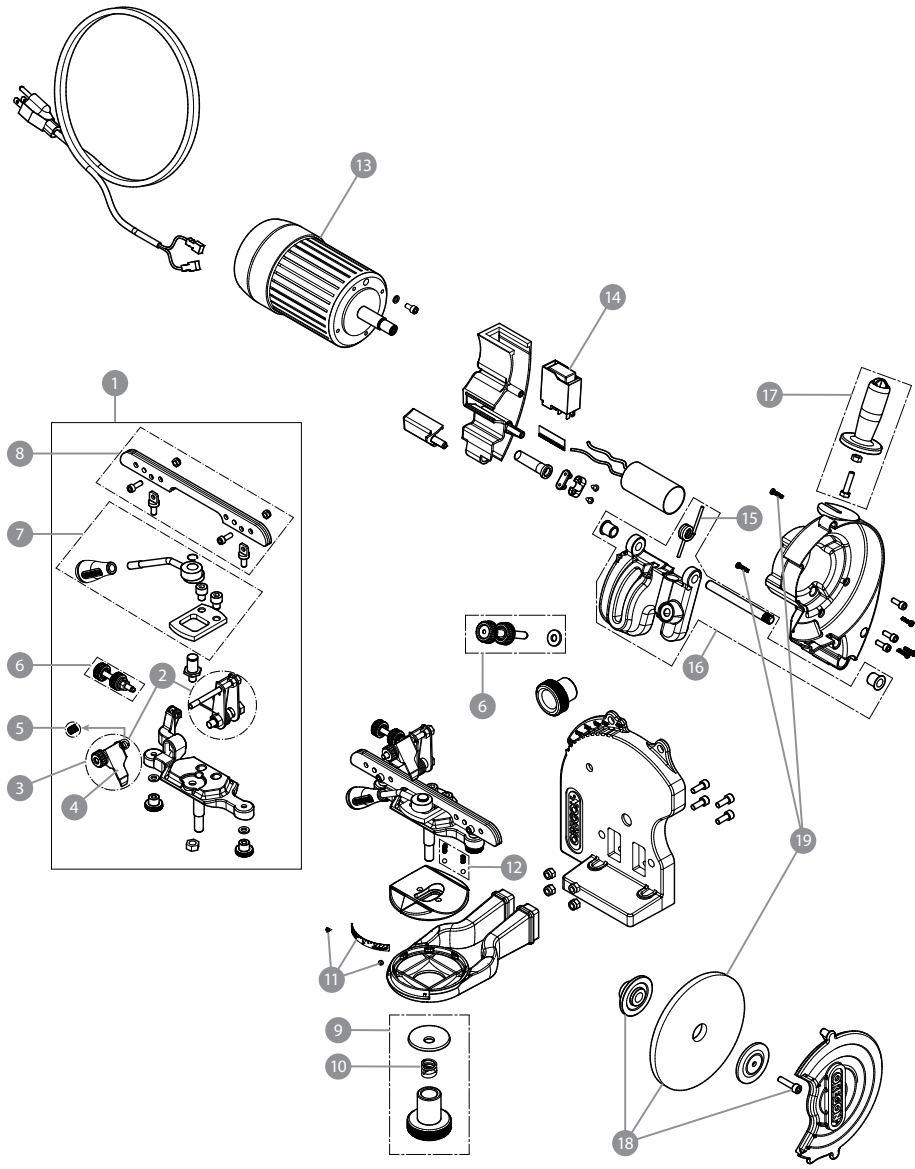


## ILLUSTRATED PARTS LIST



NO.	OREGON	DESCRIPTION
1	572119	Complete vise assembly
2	537411	Chain stop vise assembly
3	522688	Chain stop
4	32677	Chain stop (5 pack)
5	32681	Pawl center spring kit (5 pack)
6	572522	Adjustment knobs kit
7	572202	Lever vise assembly chain locking
8	572203	Vise jaws
9	572524	Vise locking kit
10	35590	Spring
11	572525	Scales
12	32678	Spring and ball kit (2 pack)
13	572526	End motor cap
14	109879	Switch
15	572527	Spring arm return
16	572529	Bracket arm support
17	105538	Handle kit
18	537409	Motor flange kit
19	572528	Plastic shield